

US00D632981S

(12) **United States Design Patent**
Shih

(10) **Patent No.:** **US D632,981 S**

(45) **Date of Patent:** **** Feb. 22, 2011**

(54) **HOOR METER**

(75) Inventor: **Huan Shih**, Taipei (TW)

(73) Assignee: **Accu1st Inc.**, Cerritos, CA (US)

(**) Term: **14 Years**

(21) Appl. No.: **29/375,095**

(22) Filed: **Sep. 17, 2010**

(51) **LOC (9) Cl.** **10-03**

(52) **U.S. Cl.** **D10/40; D10/41**

(58) **Field of Classification Search** D10/40,
D10/41, 42, 15; 368/107-123

See application file for complete search history.

(56) **References Cited**

U.S. PATENT DOCUMENTS

4,451,158	A	*	5/1984	Selwyn et al.	368/63
D283,403	S	*	4/1986	Chan	D10/40
D331,018	S	*	11/1992	Watanabe et al.	D10/2
D348,653	S	*	7/1994	Cheng	D13/168
D359,003	S	*	6/1995	Davis et al.	D10/40
D366,621	S	*	1/1996	George et al.	D10/15
D375,902	S	*	11/1996	Wong	D10/15
D378,499	S	*	3/1997	Chan	D10/40
D387,287	S	*	12/1997	Wong	D10/15
D387,996	S	*	12/1997	Chan	D10/18
D390,787	S	*	2/1998	Chan	D10/18
6,107,911	A	*	8/2000	Perrone	340/309.7

D436,540	S	*	1/2001	Smith	D10/15
D444,072	S	*	6/2001	Chan	D10/3
D467,509	S	*	12/2002	Hsu	D10/18
D500,252	S	*	12/2004	Hsu	D10/18
D510,283	S	*	10/2005	Bhavnani	D10/40
D517,930	S	*	3/2006	Chism	D10/40

* cited by examiner

Primary Examiner—Lucy Lieberman

(74) *Attorney, Agent, or Firm*—Frenkel & Associates, PC

(57) **CLAIM**

The ornamental design for an hour meter, as shown and described.

DESCRIPTION

FIG. 1 is a perspective view of a hour meter showing my new design;

FIG. 2 is a front view thereof;

FIG. 3 is a rear view thereof;

FIG. 4 is a left side view thereof;

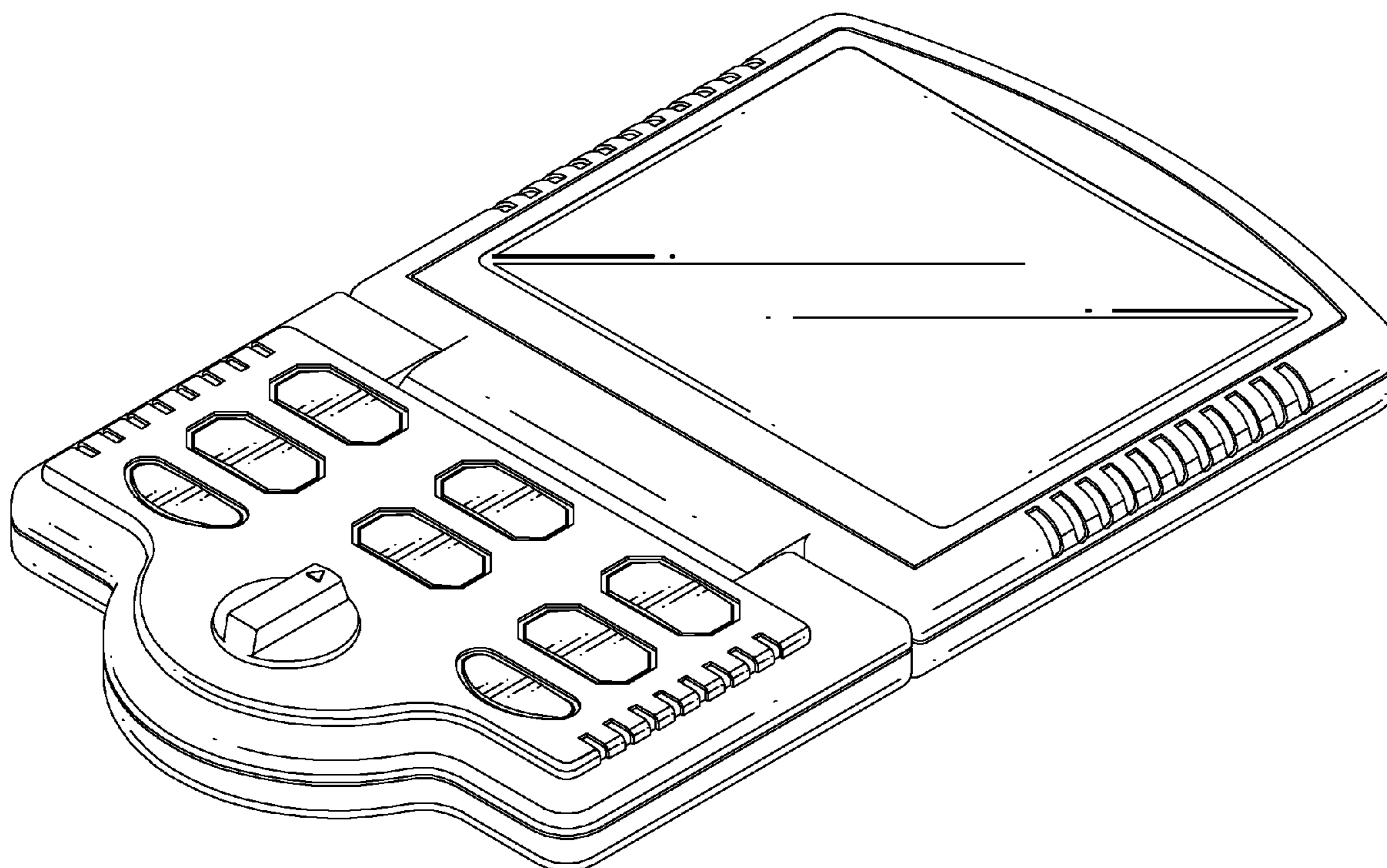
FIG. 5 is a right side view thereof;

FIG. 6 is top view thereof; and;

FIG. 7 is a bottom view thereof.

The broken lines are for illustrative purposes only and form no part of the claimed designed.

1 Claim, 7 Drawing Sheets



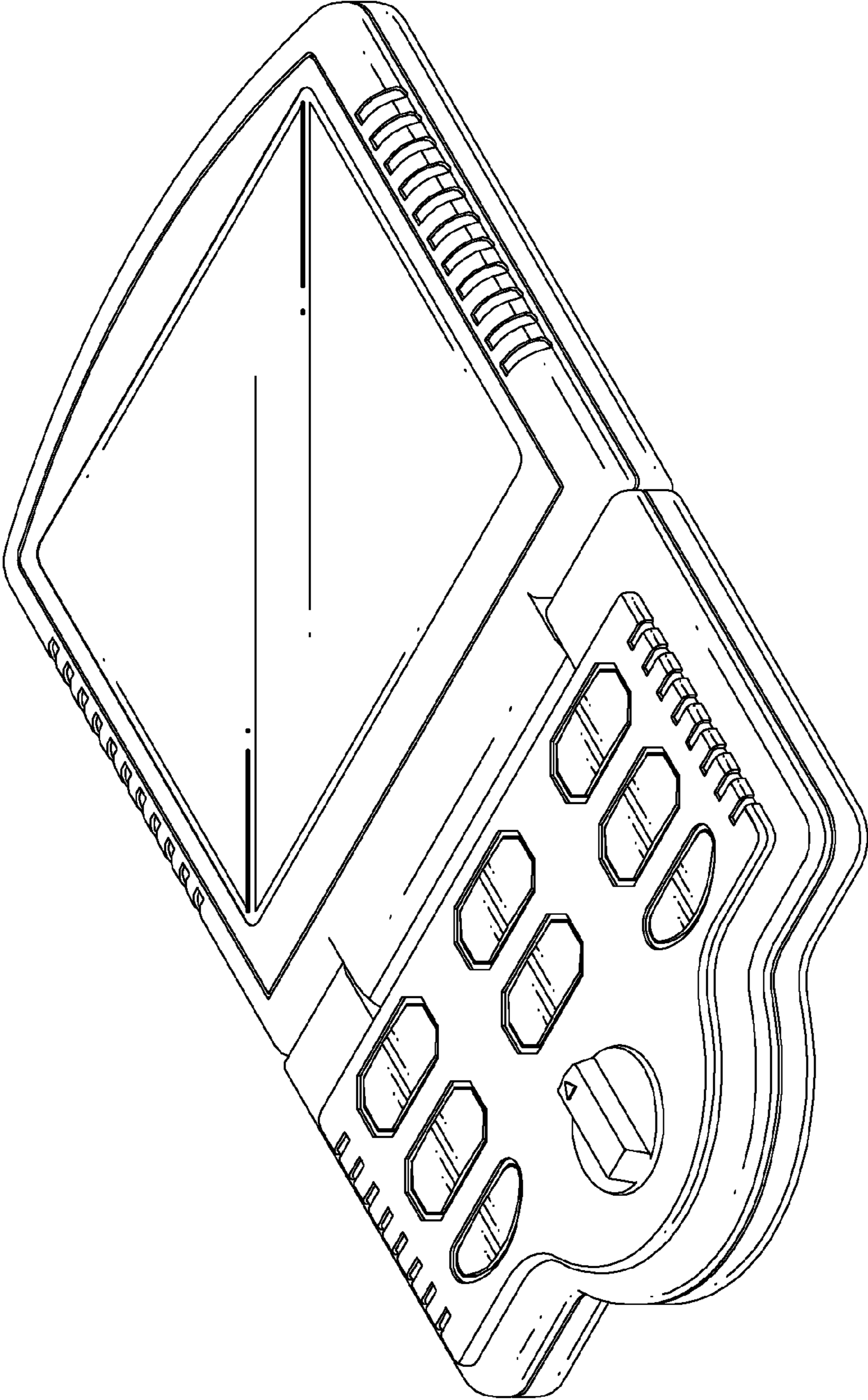


FIG.1

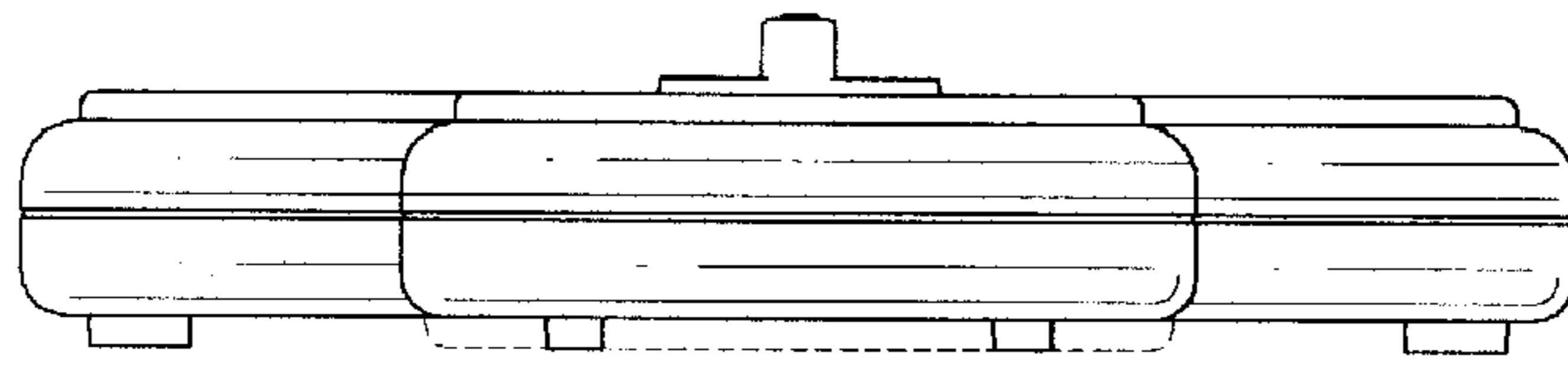


FIG.2

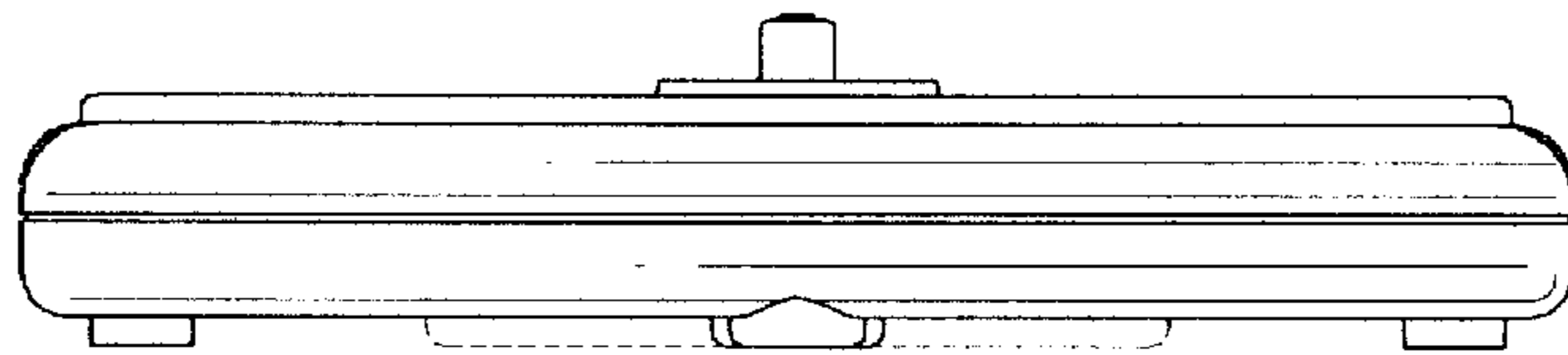


FIG.3

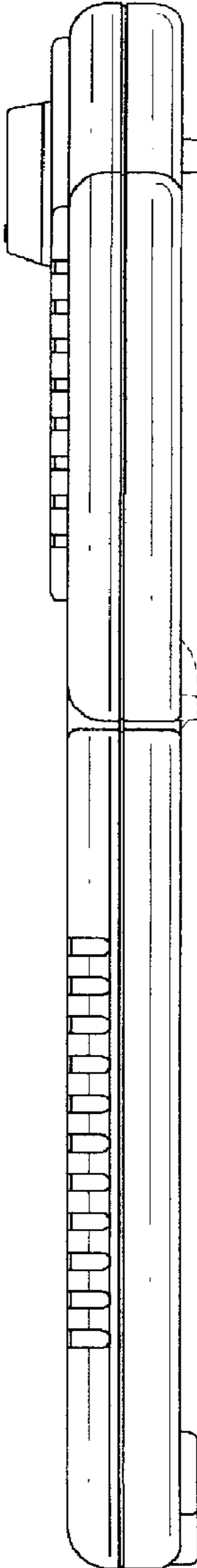


FIG.4

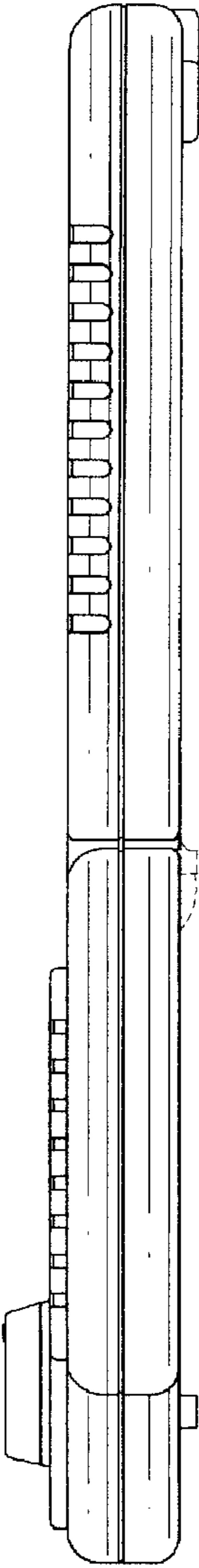


FIG.5

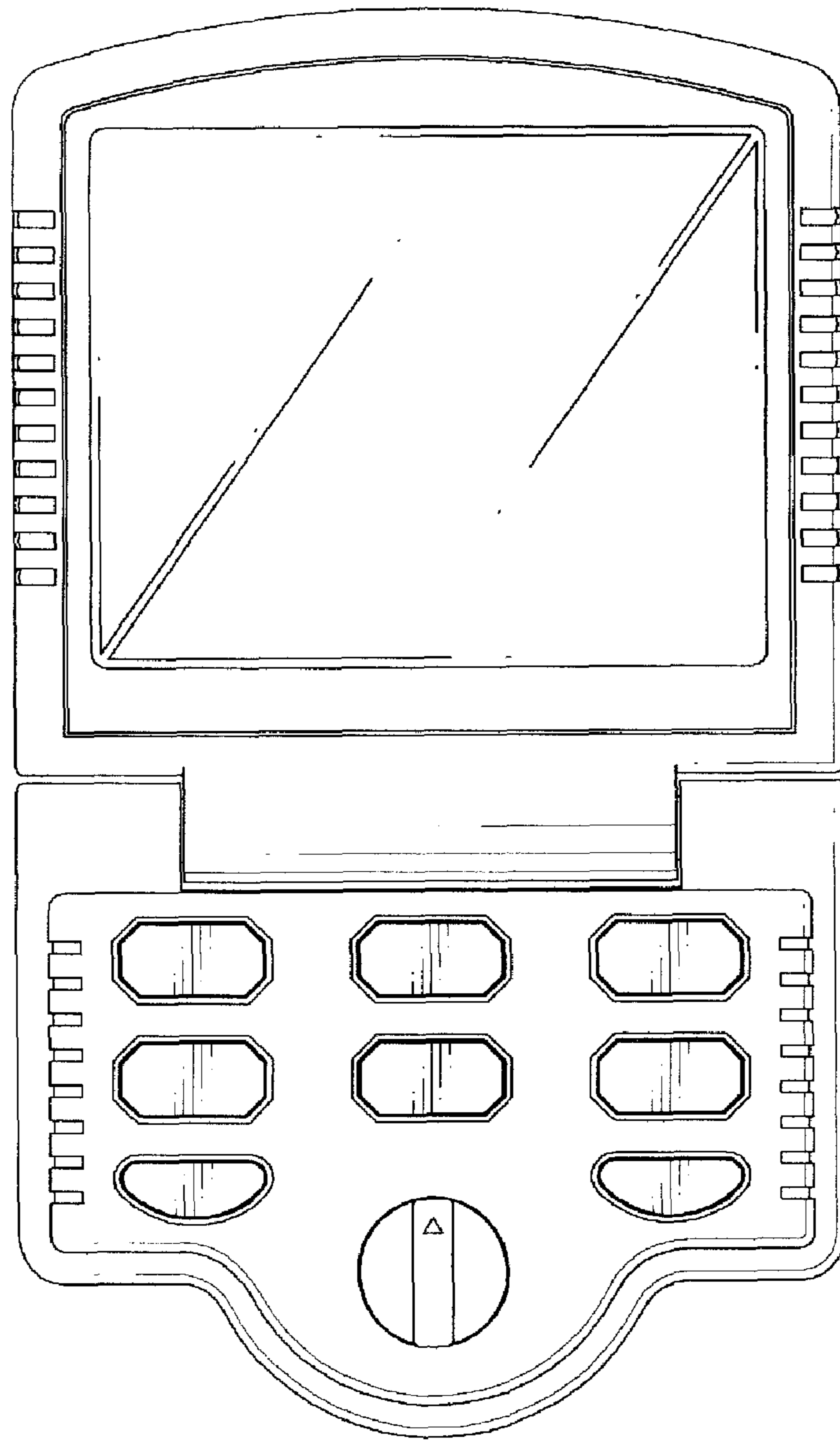


FIG.6

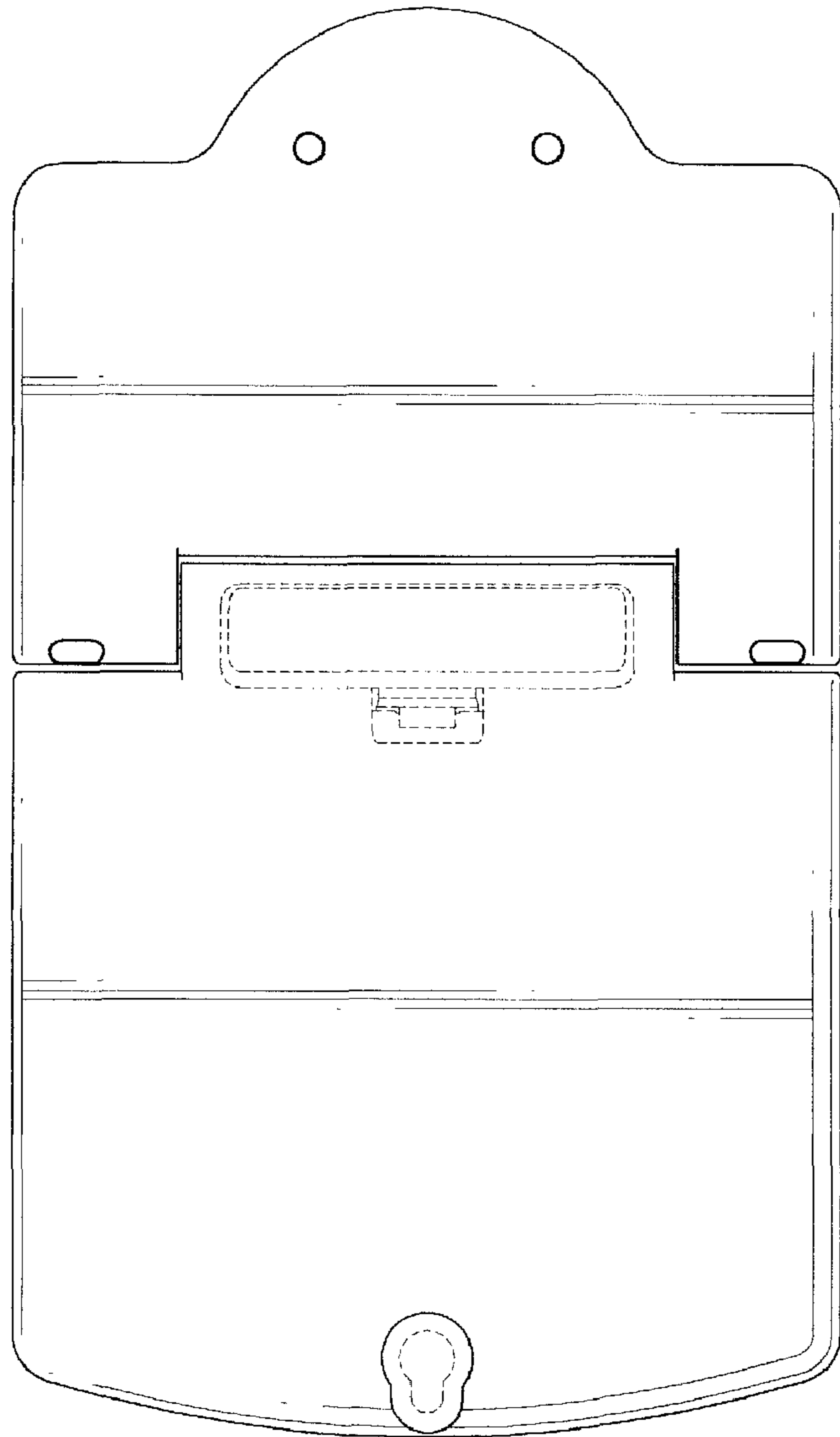


FIG.7