

US00D632979S

(12) **United States Design Patent**  
**Chastaingt**

(10) **Patent No.:** **US D632,979 S**  
(45) **Date of Patent:** **\*\* Feb. 22, 2011**

(54) **WATCH CASE**

(75) Inventor: **Arnaud Chastaingt**, Paris (FR)

(73) Assignee: **Cartier Creation Studio SA** (CH)

(\*\*) Term: **14 Years**

(21) Appl. No.: **29/356,984**

(22) Filed: **Mar. 5, 2010**

(51) **LOC (9) Cl.** ..... **10-02**

(52) **U.S. Cl.** ..... **D10/38**

(58) **Field of Classification Search** ..... D10/30-39,  
D10/128, 131, 132; 368/276, 281, 282, 285,  
368/288

See application file for complete search history.

(56) **References Cited**

**U.S. PATENT DOCUMENTS**

D195,421	S	*	6/1963	Huguenin	.....	D10/39
3,740,944	A	*	6/1973	Chopard	.....	368/281
3,901,023	A	*	8/1975	Uebelhardt	.....	368/281
D387,997	S	*	12/1997	Dobashi	.....	D10/30
D391,174	S	*	2/1998	Modolo	.....	D10/32
D399,763	S	*	10/1998	Rabassa	.....	D10/38
D400,110	S	*	10/1998	Polenberg	.....	D10/39
D402,566	S	*	12/1998	Moriai	.....	D10/30
D414,121	S	*	9/1999	Hanagata	.....	D10/30
D418,427	S	*	1/2000	Fichter	.....	D10/30
D428,345	S	*	7/2000	Chodat	.....	D10/30
D430,807	S	*	9/2000	Moriai	.....	D10/30
D439,173	S	*	3/2001	Giardiello	.....	D10/32
D451,406	S	*	12/2001	Giardiello	.....	D10/32
D470,421	S	*	2/2003	Ramazzina	.....	D10/30
D488,724	S	*	4/2004	Bertucci	.....	D10/30
D494,492	S	*	8/2004	Pibouleau	.....	D10/128

D502,410	S	*	3/2005	Dias	.....	D10/32
D538,182	S	*	3/2007	Lalo	.....	D10/32
D554,536	S	*	11/2007	Tonohori et al.	.....	D10/31
D559,123	S	*	1/2008	Modolo	.....	D10/32
D569,276	S	*	5/2008	Scheufele	.....	D10/39
D570,231	S	*	6/2008	Actis-Datta	.....	D10/38
D574,732	S	*	8/2008	Wunderman	.....	D10/32
D574,733	S	*	8/2008	Blair	.....	D10/32
D590,727	S	*	4/2009	Wei	.....	D10/38
D618,565	S	*	6/2010	Dolce et al.	.....	D10/38

\* cited by examiner

*Primary Examiner*—Lucy Lieberman

(74) *Attorney, Agent, or Firm*—Galbreath Law Offices, P.C.;  
John A. Galbreath

(57) **CLAIM**

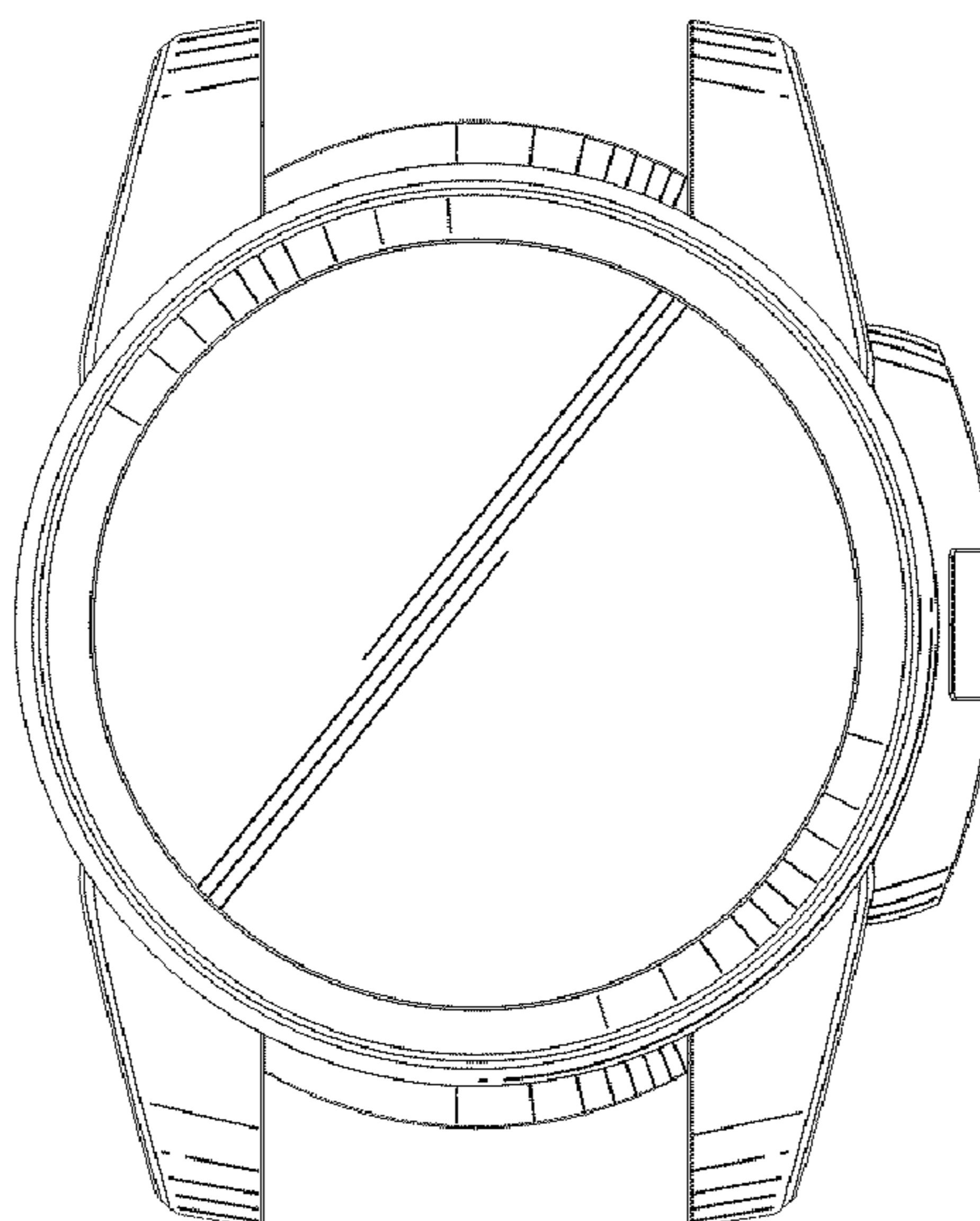
The ornamental design for a watch case, as shown and described.

**DESCRIPTION**

FIG. 1 is a top view of the invention;  
FIG. 2 is a bottom view of the invention;  
FIG. 3 is a back view of the invention;  
FIG. 4 is a side view of the invention;  
FIG. 5 is a front view of the invention;  
FIG. 6 is another side view of the invention, showing the side opposite that shown in FIG. 4; and,  
FIG. 7 is a perspective view of the invention.

The portions of the watch case that are shown in broken lines in the drawings are for illustrative purposes only and do not form part of the claimed design.

**1 Claim, 1 Drawing Sheet**



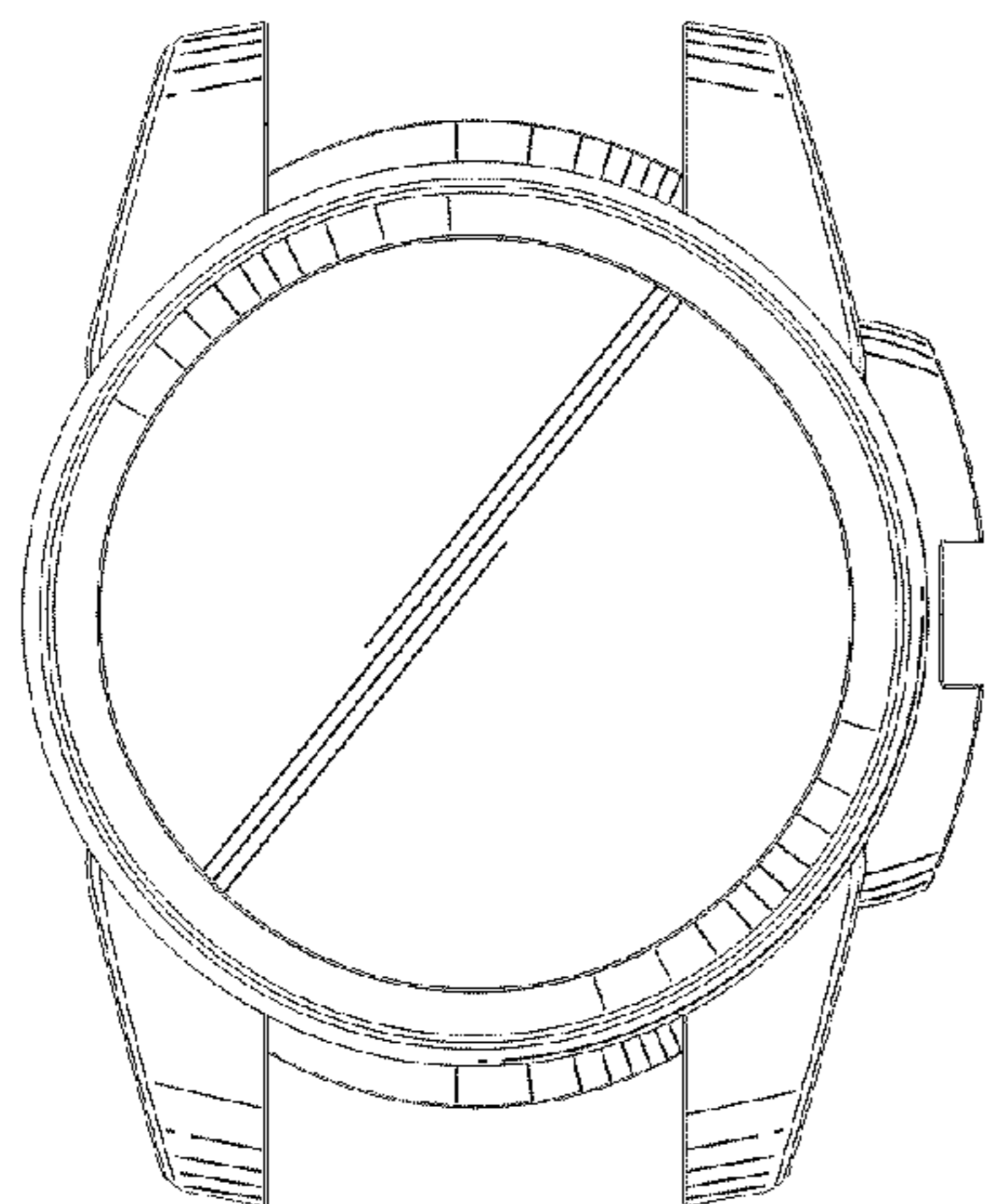


FIG. 1

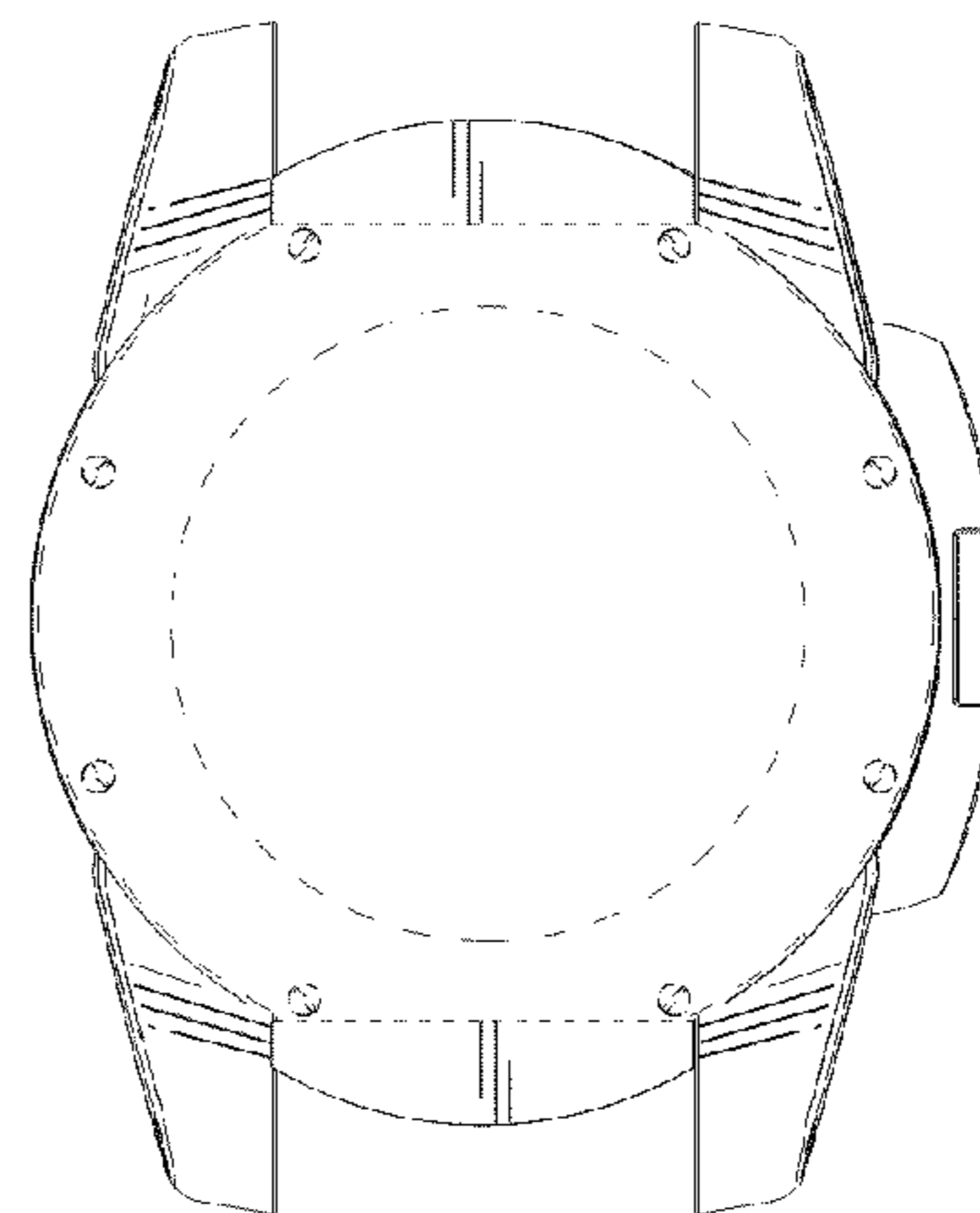


FIG. 2

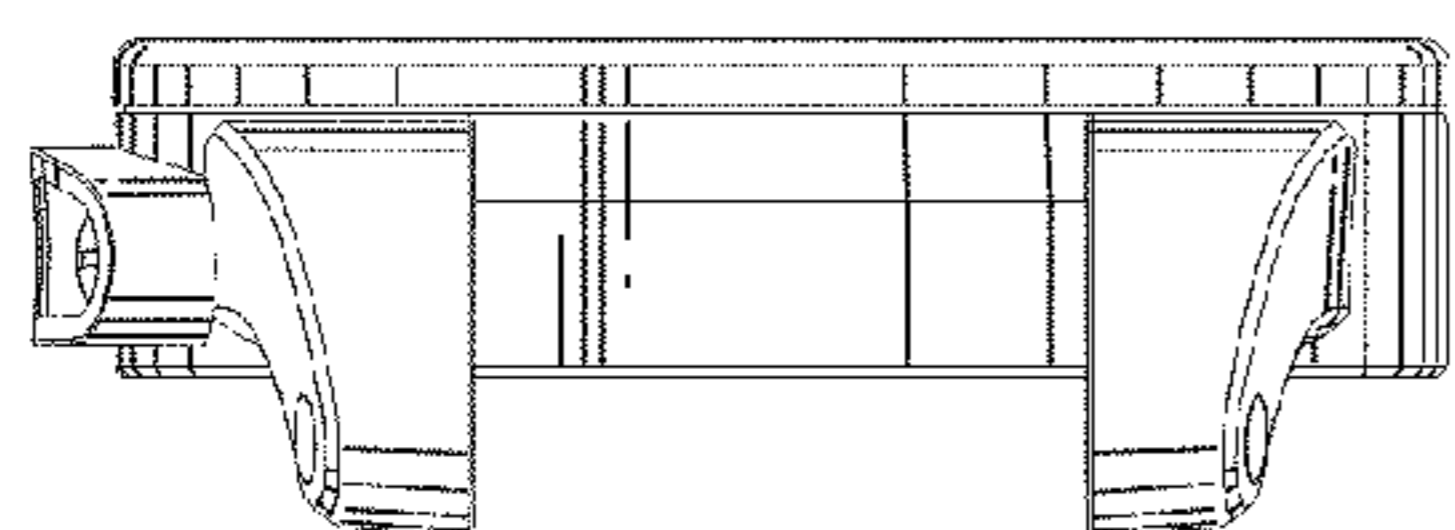


FIG. 3

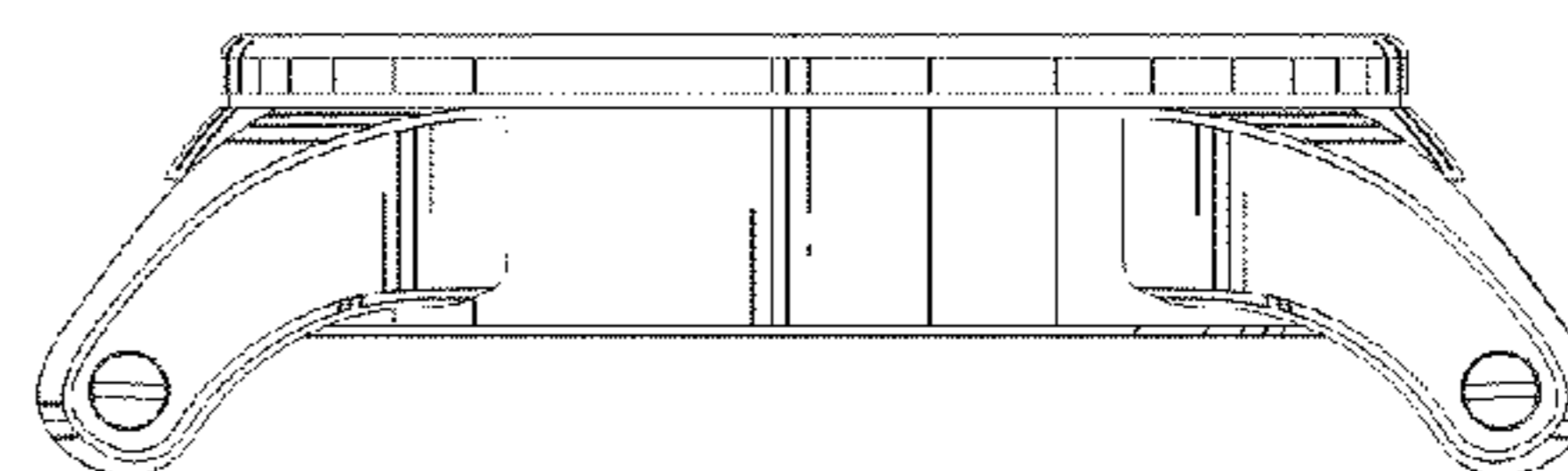


FIG. 4

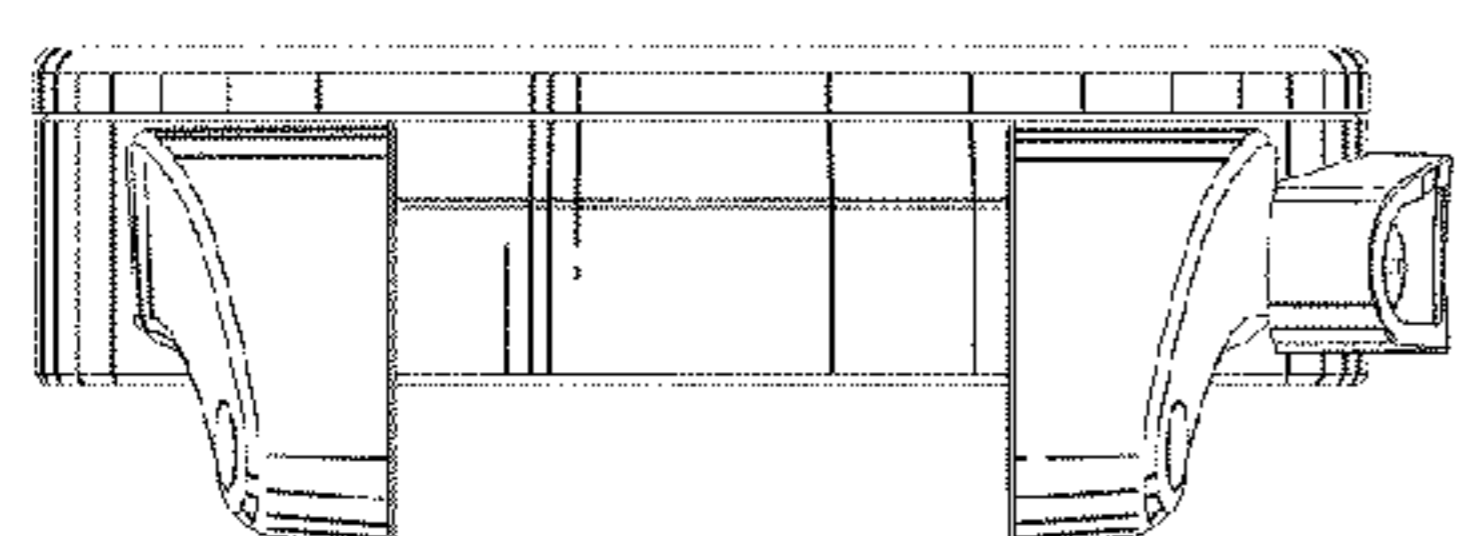


FIG. 5

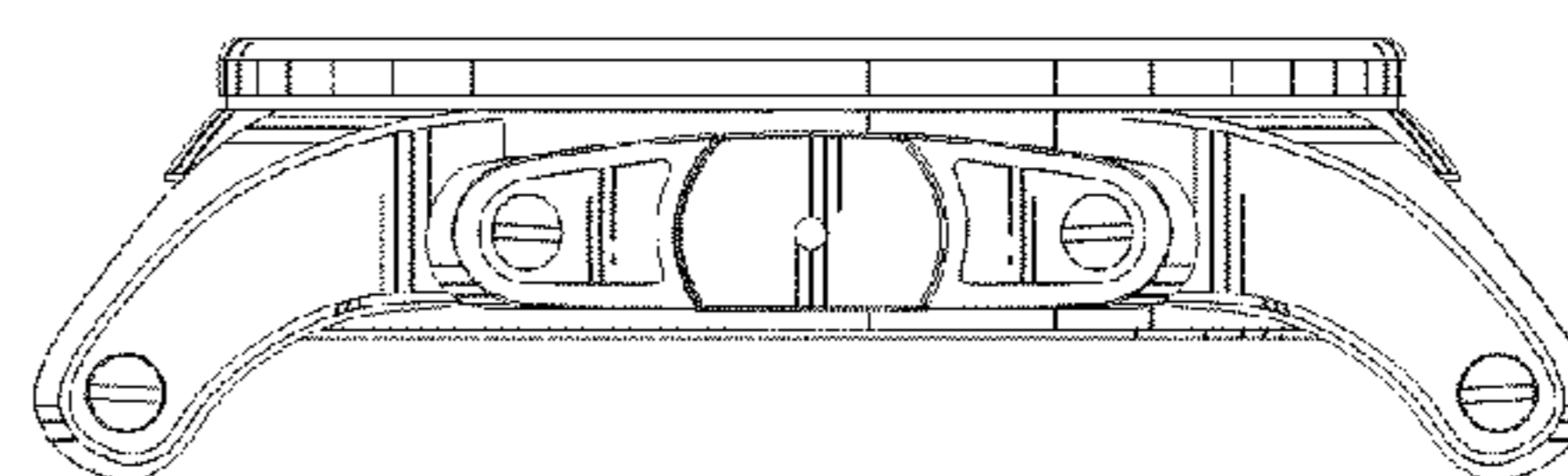


FIG. 6

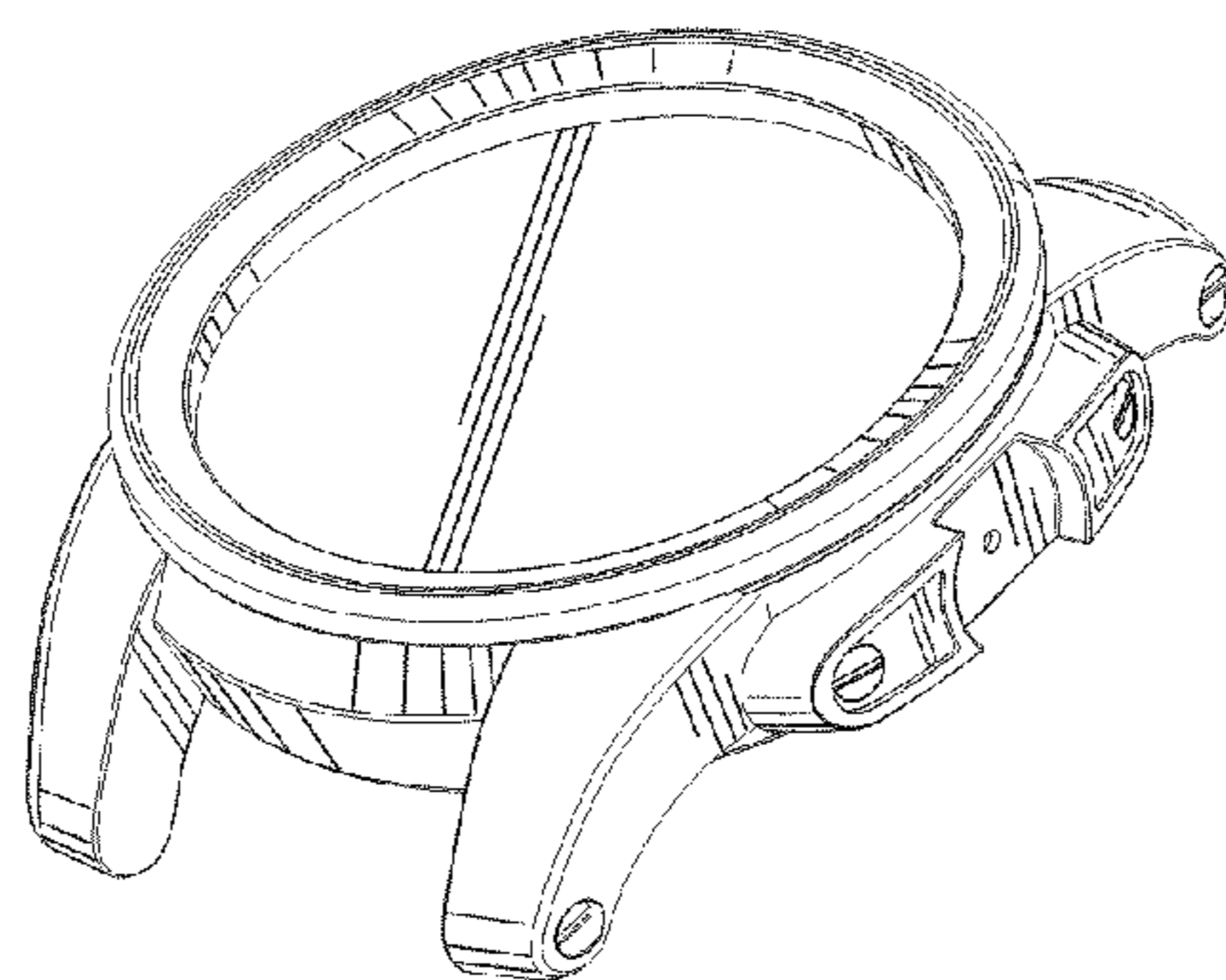


FIG. 7