



US00D632976S

(12) **United States Design Patent**
Dijkstra et al.

(10) **Patent No.:** **US D632,976 S**

(45) **Date of Patent:** **** Feb. 22, 2011**

(54) **EGG CARTON**

(75) Inventors: **Wijbe Dijkstra**, Dronrijp (NL);
Hendrik Freerk Kloosterman, Sumar
(NL); **Christian Niemarkt**, Irnsum (NL)

(73) Assignee: **Huhtamaki Nederland BV**, Franeker
(NL)

(**) Term: **14 Years**

(21) Appl. No.: **29/360,644**

(22) Filed: **Apr. 29, 2010**

Related U.S. Application Data

(63) Continuation-in-part of application No. 12/601,638,
filed on Apr. 1, 2010.

(30) **Foreign Application Priority Data**

Oct. 29, 2009 (EM) 001630005-0003

(51) **LOC (9) Cl.** **09-03**

(52) **U.S. Cl.** **D9/757; D9/762**

(58) **Field of Classification Search** D9/762,
D9/757, 737, 761, 420, 425, 426, 456; D7/611;
206/521, 521.1, 521.3, 521.4, 521.6, 521.8,
206/521.9, 564; 220/508; 229/406

See application file for complete search history.

(56) **References Cited**

U.S. PATENT DOCUMENTS

2,978,162 A * 4/1961 Lambert 206/521.1
3,138,314 A * 6/1964 Reifers et al. 206/521.1
3,259,294 A * 7/1966 Hartmann 206/521.1
3,362,605 A * 1/1968 Bixler 206/521.1
3,471,078 A * 10/1969 Seest et al. 206/521.8

3,531,039 A * 9/1970 Boyd et al. 206/521.8
3,593,910 A * 7/1971 Bessett et al. 206/521.1
3,813,027 A 5/1974 Misdorn, Jr. et al.

(Continued)

FOREIGN PATENT DOCUMENTS

EP 1373100 B1 1/2005

(Continued)

Primary Examiner—Mark A Goodwin

(74) *Attorney, Agent, or Firm*—Husch Blackwell LLP

(57) **CLAIM**

The ornamental design for an egg carton, as shown and described.

DESCRIPTION

FIG. 1 is a left side elevational view of an egg carton showing our new design with its lid in an open position;

FIG. 2 is a top plan view of the egg carton shown in FIG. 1 with its lid in an open position;

FIG. 3 is a rear elevational view of the egg carton shown in FIG. 1 with its lid in an open position;

FIG. 4 is a bottom plan view of the egg carton shown in FIG. 1 with its lid in an open position;

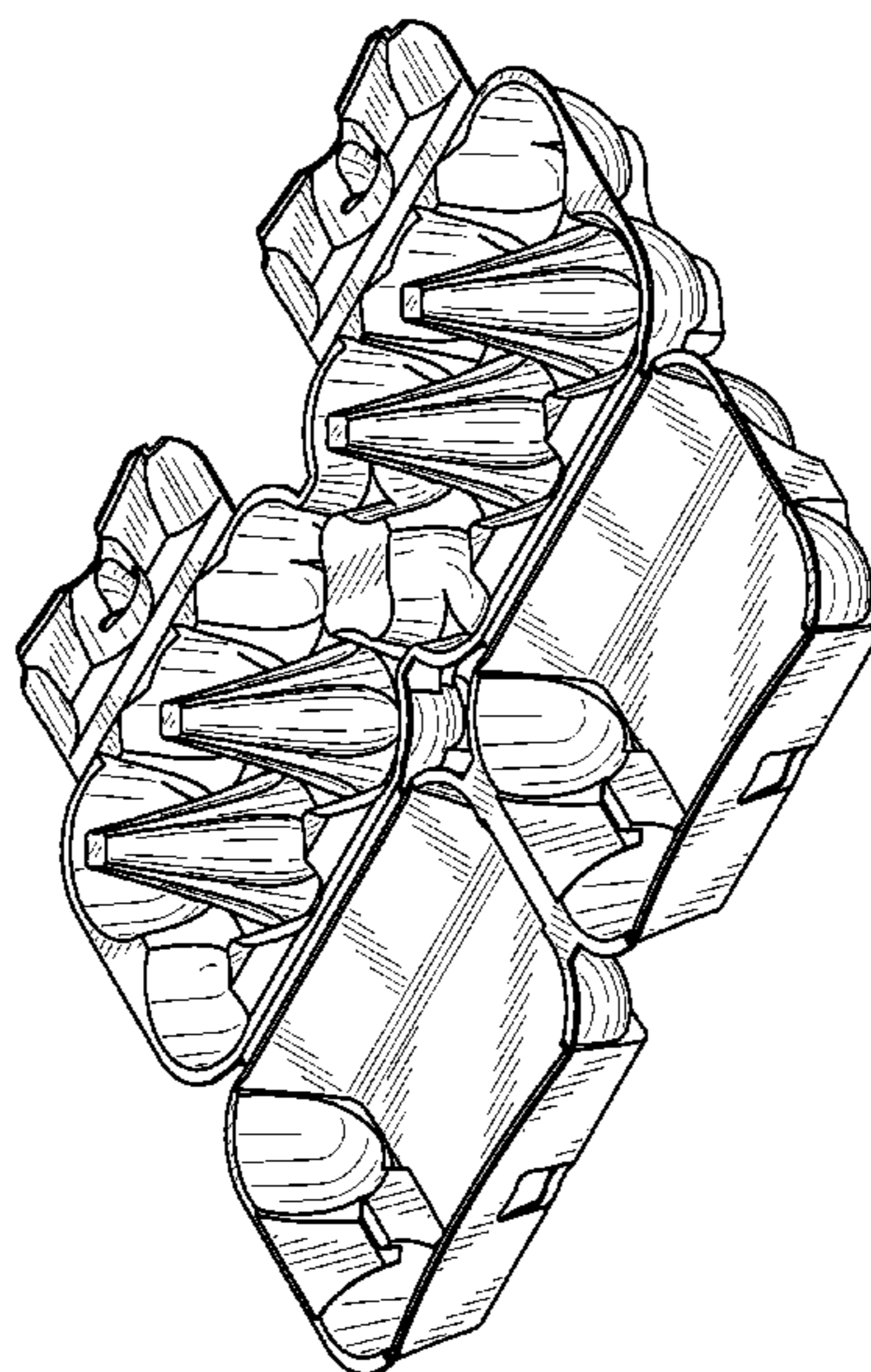
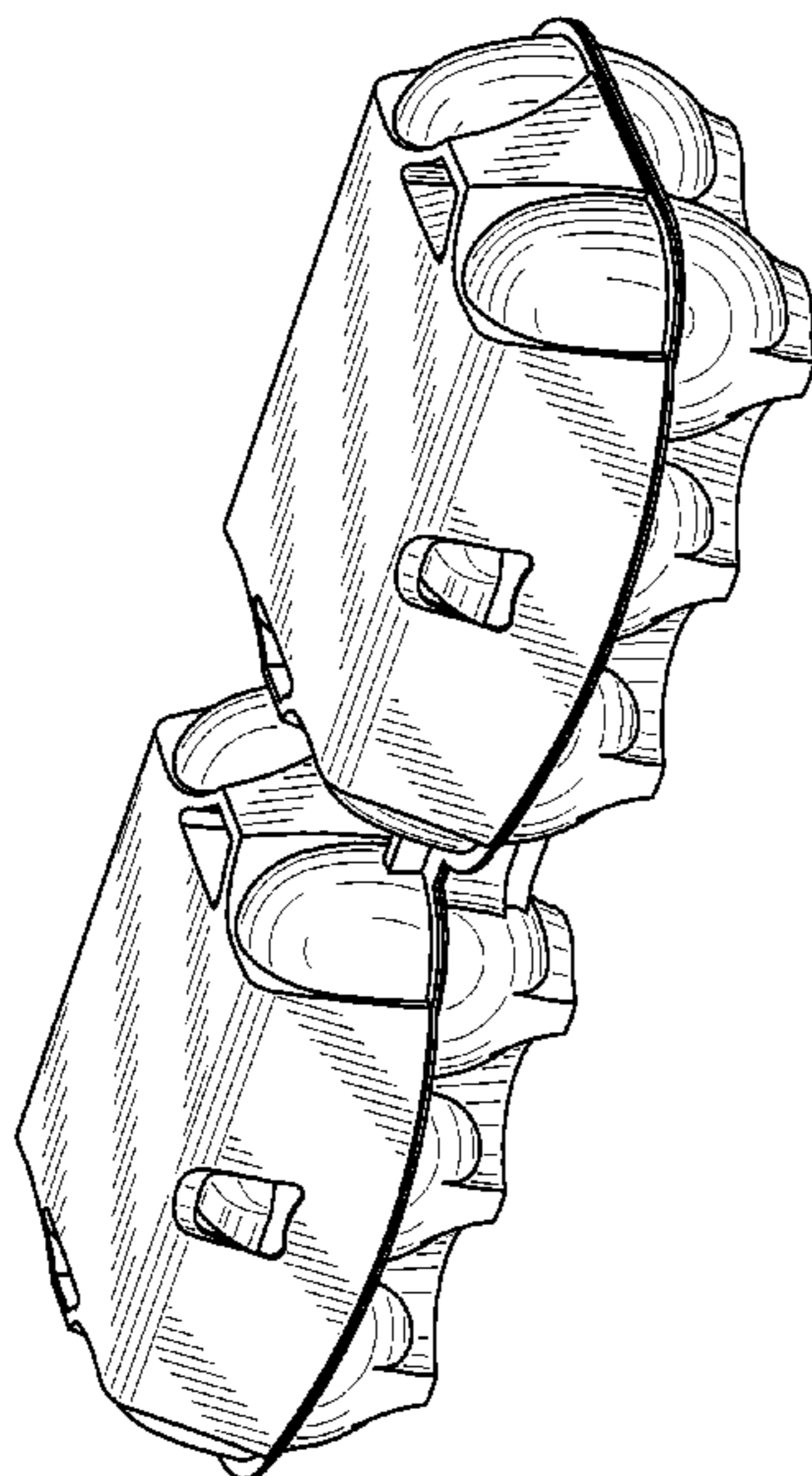
FIG. 5 is a top perspective view of the egg carton shown in FIG. 1 with its lid in a closed position;

FIG. 6 is a front elevational view of the egg carton shown in FIG. 1 with its lid in an open position; and,

FIG. 7 is a top perspective view of the egg carton shown in FIG. 1 with its lid in an open position.

The features shown in broken lines depict environmental subject matter only and form no part of the claimed design.

1 Claim, 4 Drawing Sheets



US D632,976 S

Page 2

U.S. PATENT DOCUMENTS

4,492,331 A * 1/1985 Bixler et al. 206/521.1
4,742,952 A * 5/1988 Bixler et al. 229/125.36
D385,780 S * 11/1997 Krupa et al. D9/757
6,012,583 A * 1/2000 Ramirez 206/521.1
D466,802 S * 12/2002 Davkovski D9/757
6,488,152 B1 * 12/2002 Steffann 206/521.1
D484,796 S * 1/2004 Buckley D9/757
D491,463 S * 6/2004 Zelina et al. D9/757
D506,932 S * 7/2005 Ramirez D9/737

D514,954 S * 2/2006 Kim D9/757
D520,377 S * 5/2006 Beese et al. D9/762
7,353,951 B2 * 4/2008 Vovan 206/521.8
D606,421 S * 12/2009 Krummenacher D9/757
7,665,608 B2 * 2/2010 Buckley 206/521.1

FOREIGN PATENT DOCUMENTS

EP 1683740 A1 1/2005

* cited by examiner

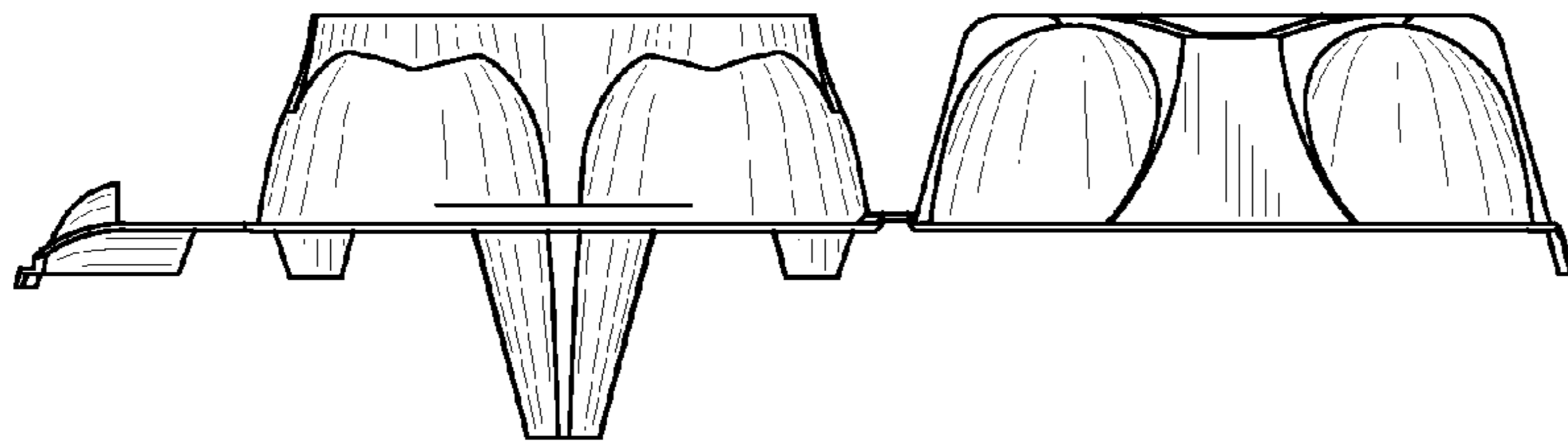


FIG. 1

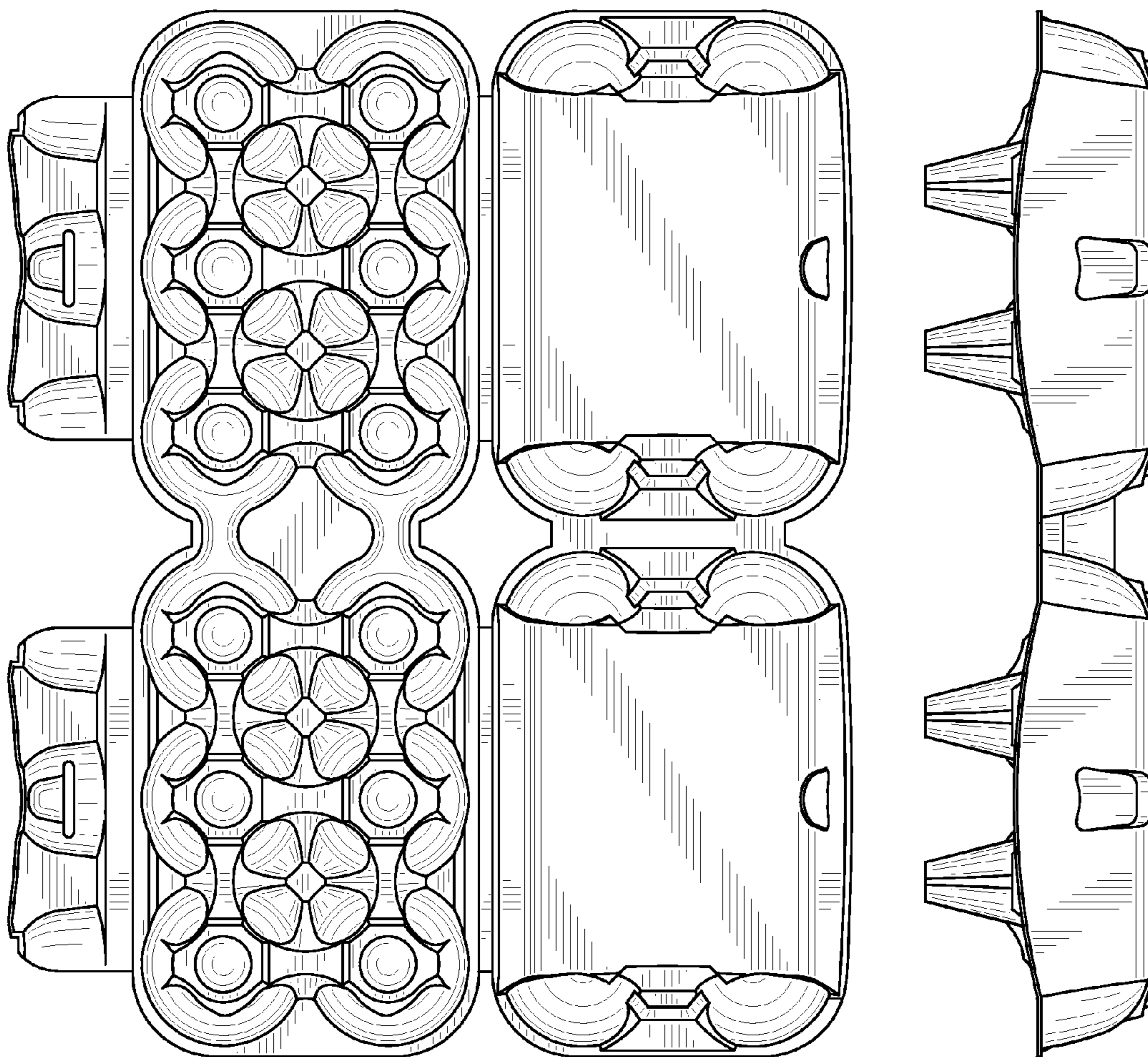


FIG. 2

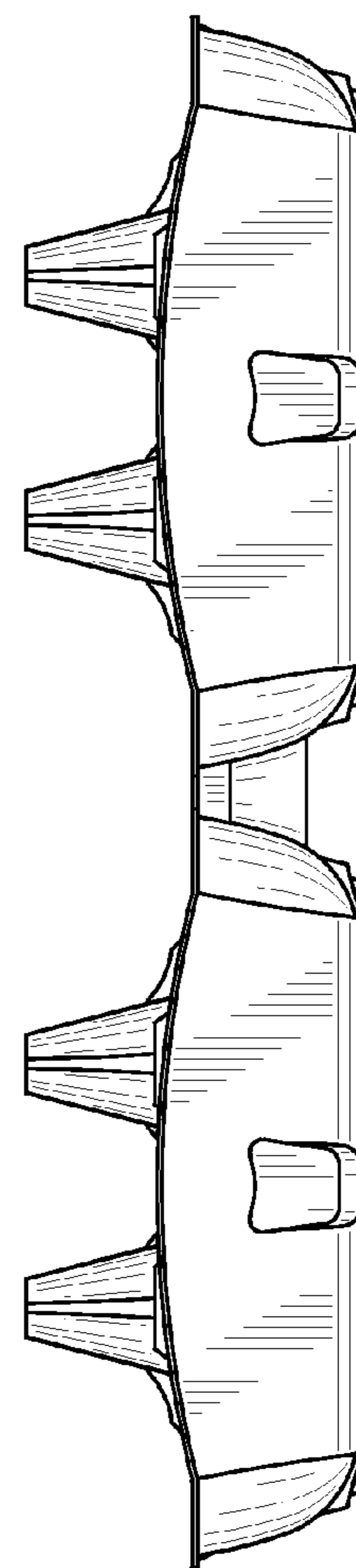


FIG. 3

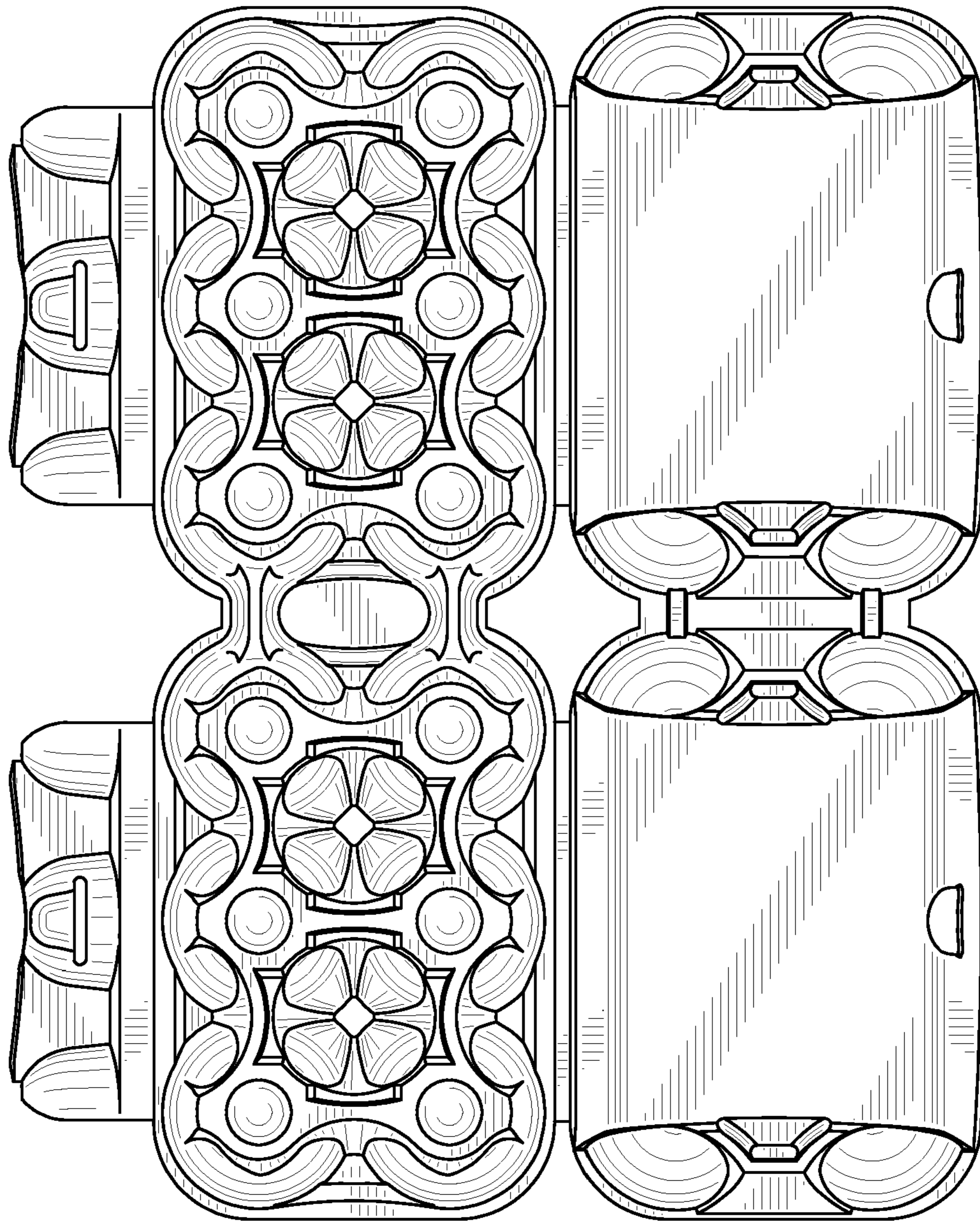


FIG. 4

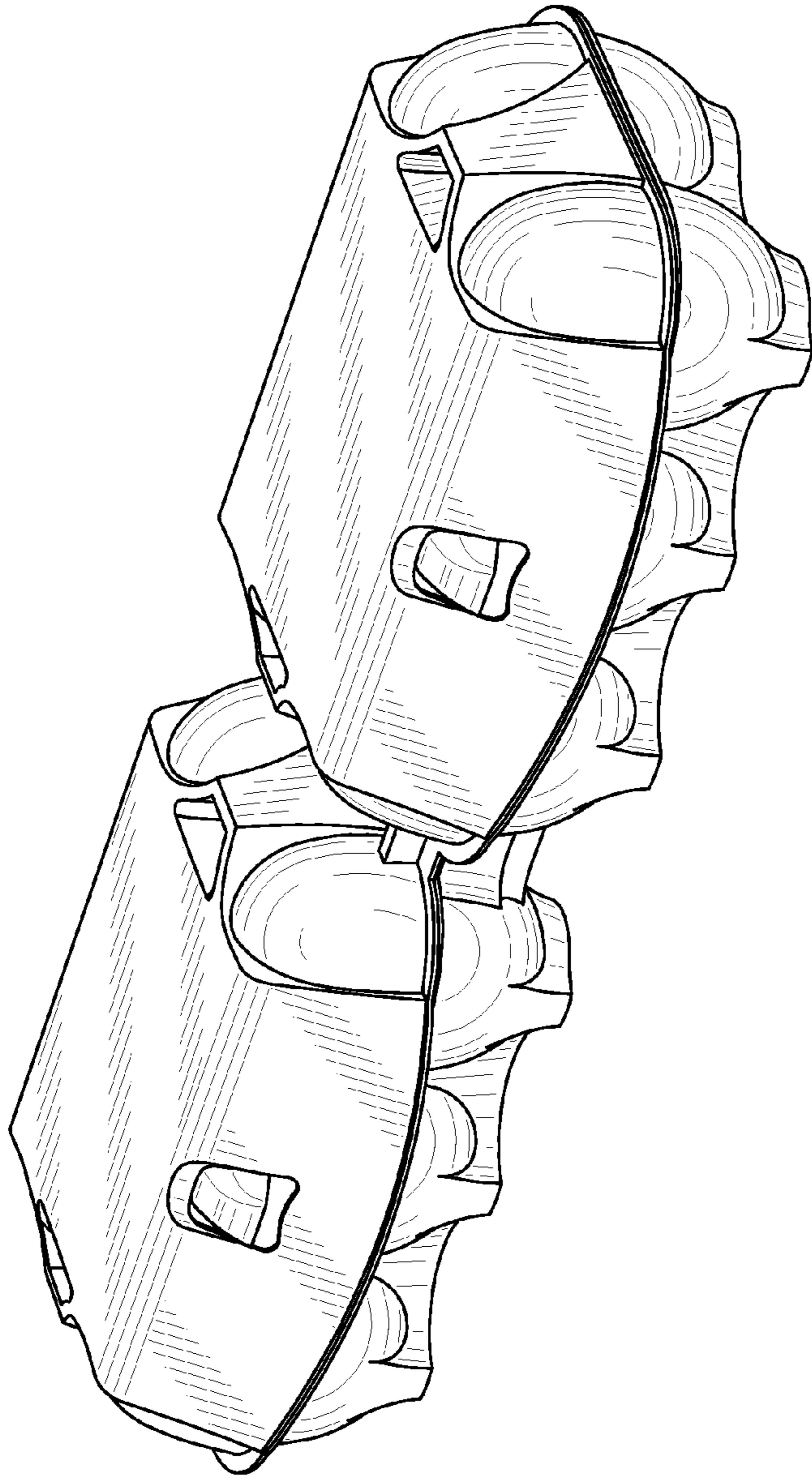


FIG. 5



FIG. 6

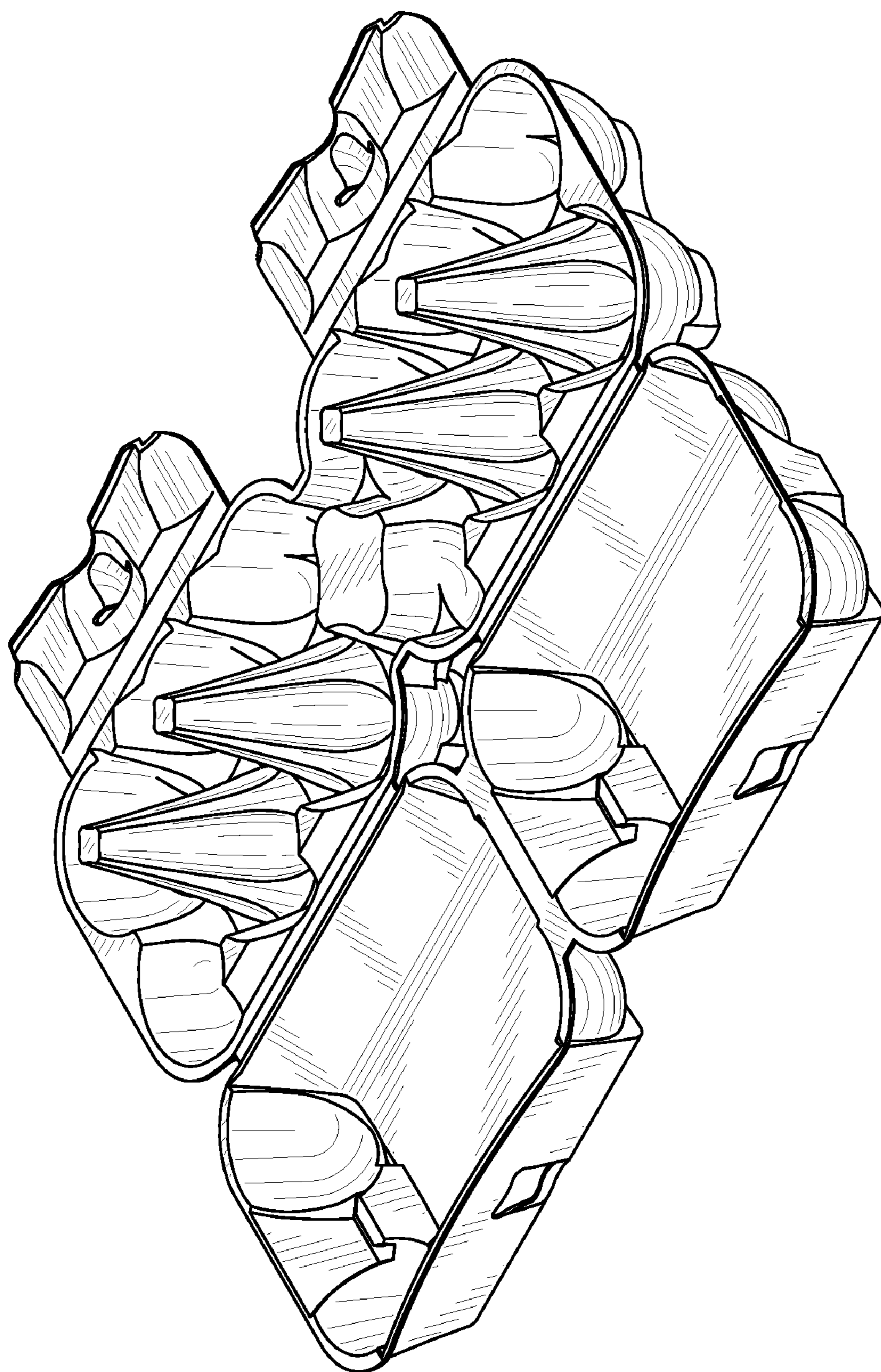


FIG. 7