



US00D632975S

(12) **United States Design Patent**  
**Dijkstra et al.**

(10) **Patent No.:** **US D632,975 S**  
(45) **Date of Patent:** **\*\* Feb. 22, 2011**

(54) **EGG CARTON**

(75) Inventors: **Wijbe Dijkstra**, Dronrijp (NL);  
**Hendrik Freerk Kloosterman**, Sumar  
(NL); **Christian Niemarkt**, Irnsum (NL)

(73) Assignee: **Huhtamaki Nederland BV**, Franeker  
(NL)

(\*\*) Term: **14 Years**

(21) Appl. No.: **29/360,640**

(22) Filed: **Apr. 29, 2010**

**Related U.S. Application Data**

(63) Continuation-in-part of application No. 12/601,638,  
filed on Apr. 1, 2010.

(30) **Foreign Application Priority Data**

Oct. 29, 2009 (EM) ..... 001630005-0002

(51) **LOC (9) Cl.** ..... **09-03**

(52) **U.S. Cl.** ..... **D9/757; D9/762**

(58) **Field of Classification Search** ..... D9/762,  
D9/757, 737, 761, 420, 425, 426, 456; D7/611;  
206/521, 521.1, 521.3, 521.4, 521.6, 521.8,  
206/521.9, 564; 220/508; 229/406

See application file for complete search history.

(56) **References Cited**

**U.S. PATENT DOCUMENTS**

2,978,162 A \* 4/1961 Lambert ..... 206/521.1  
3,138,314 A \* 6/1964 Reifers et al. .... 206/521.1  
3,259,294 A \* 7/1966 Hartmann ..... 206/521.1  
3,362,605 A \* 1/1968 Bixler ..... 206/521.1  
3,471,078 A \* 10/1969 Seest et al. .... 206/521.8

3,531,039 A \* 9/1970 Boyd et al. .... 206/521.8  
3,593,910 A \* 7/1971 Bessett et al. .... 206/521.1  
3,813,027 A 5/1974 Misdorn, Jr. et al.

(Continued)

**FOREIGN PATENT DOCUMENTS**

EP 1373100 B1 1/2005

(Continued)

*Primary Examiner*—Mark A Goodwin

(74) *Attorney, Agent, or Firm*—Husch Blackwell LLP

(57) **CLAIM**

The ornamental design for an egg carton, as shown and described.

**DESCRIPTION**

FIG. 1 is a left side elevational view of an egg carton showing our new design with its lid in an open position;

FIG. 2 is a top plan view of the egg carton shown in FIG. 1 with its lid in an open position;

FIG. 3 is a rear elevational view of the egg carton shown in FIG. 1 with its lid in an open position;

FIG. 4 is a bottom plan view of the egg carton shown in FIG. 1 with its lid in an open position;

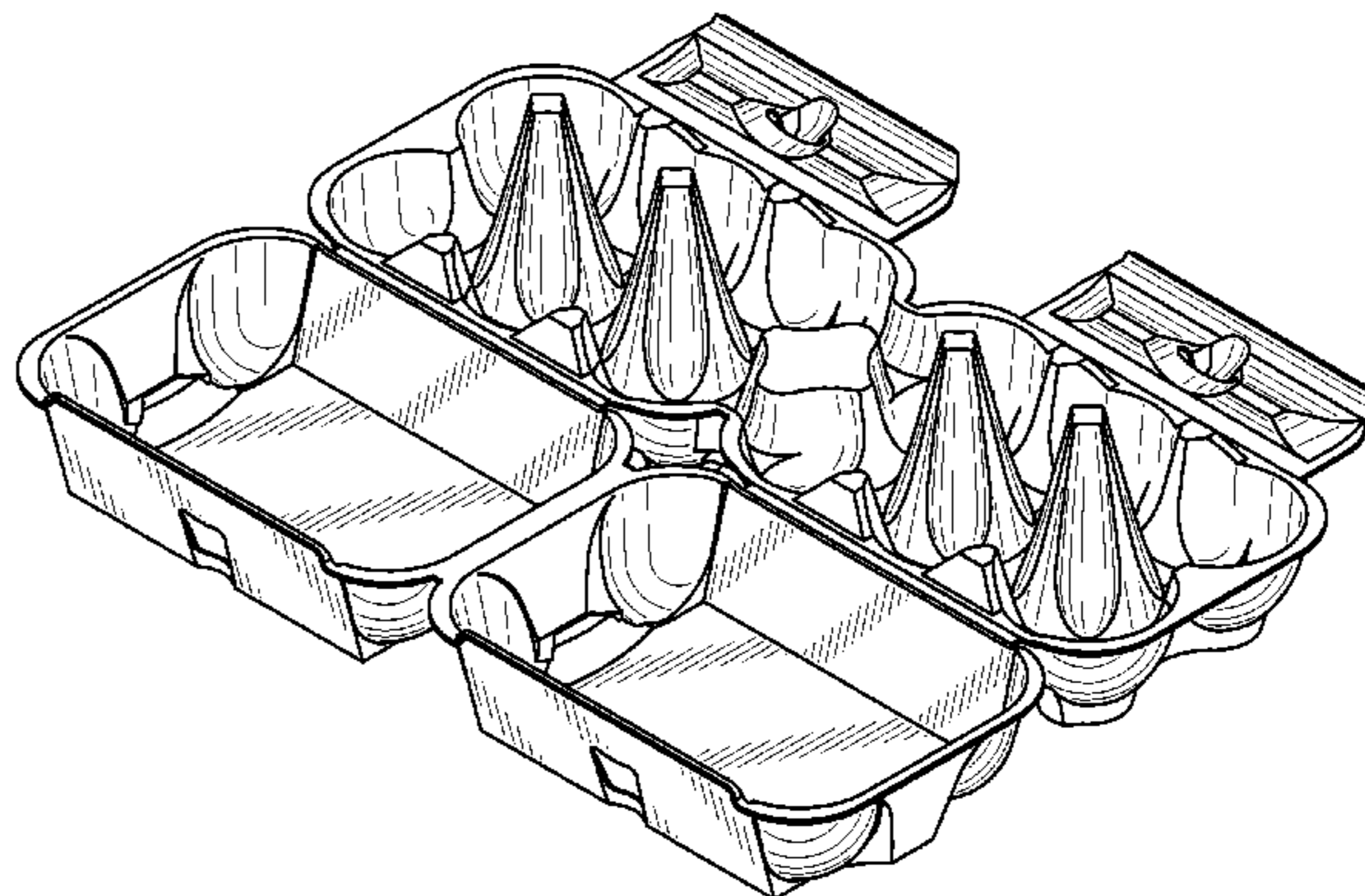
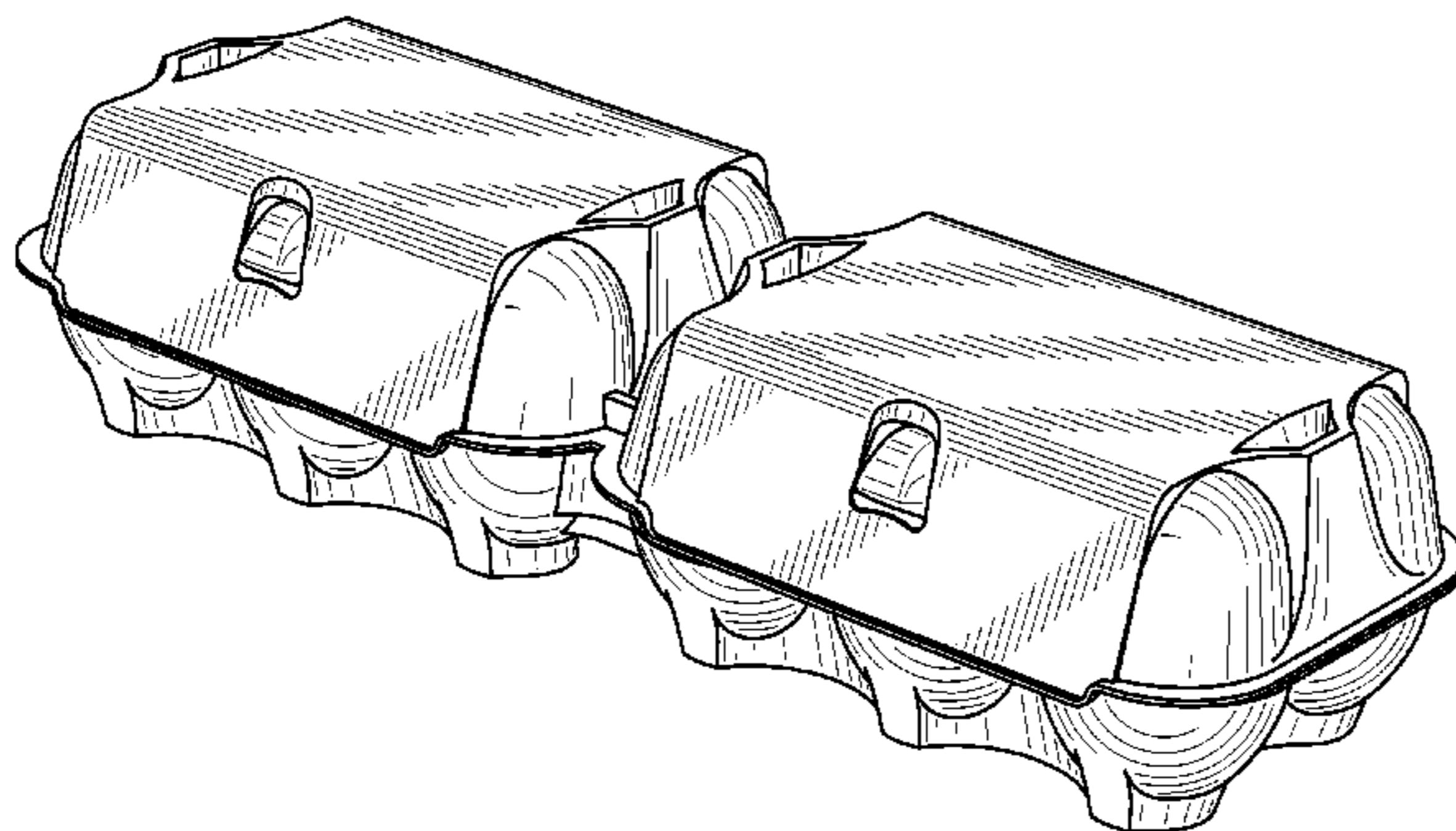
FIG. 5 is a top perspective view of the egg carton shown in FIG. 1 with its lid in a closed position;

FIG. 6 is a front elevational view of the egg carton shown in FIG. 1 with its lid in an open position; and,

FIG. 7 is a top perspective view of the egg carton shown in FIG. 1 with its lid in an open position.

The features shown in broken lines depict environmental subject matter only and form no part of the claimed design.

**1 Claim, 4 Drawing Sheets**



# US D632,975 S

Page 2

---

## U.S. PATENT DOCUMENTS

4,492,331 A \* 1/1985 Bixler et al. .... 206/521.1  
4,742,952 A \* 5/1988 Bixler et al. .... 229/125.36  
D385,780 S \* 11/1997 Krupa et al. .... D9/757  
6,012,583 A \* 1/2000 Ramirez ..... 206/521.1  
D466,802 S \* 12/2002 Davkovski ..... D9/757  
6,488,152 B1 \* 12/2002 Steffann ..... 206/521.1  
D484,796 S \* 1/2004 Buckley ..... D9/757  
D491,463 S \* 6/2004 Zelina et al. .... D9/757  
D506,932 S \* 7/2005 Ramirez ..... D9/737

D514,954 S \* 2/2006 Kim ..... D9/757  
D520,377 S \* 5/2006 Beese et al. .... D9/762  
7,353,951 B2 \* 4/2008 Vovan ..... 206/521.8  
D606,421 S \* 12/2009 Krummenacher ..... D9/757  
7,665,608 B2 \* 2/2010 Buckley ..... 206/521.1

## FOREIGN PATENT DOCUMENTS

EP 1683740 A1 1/2005

\* cited by examiner

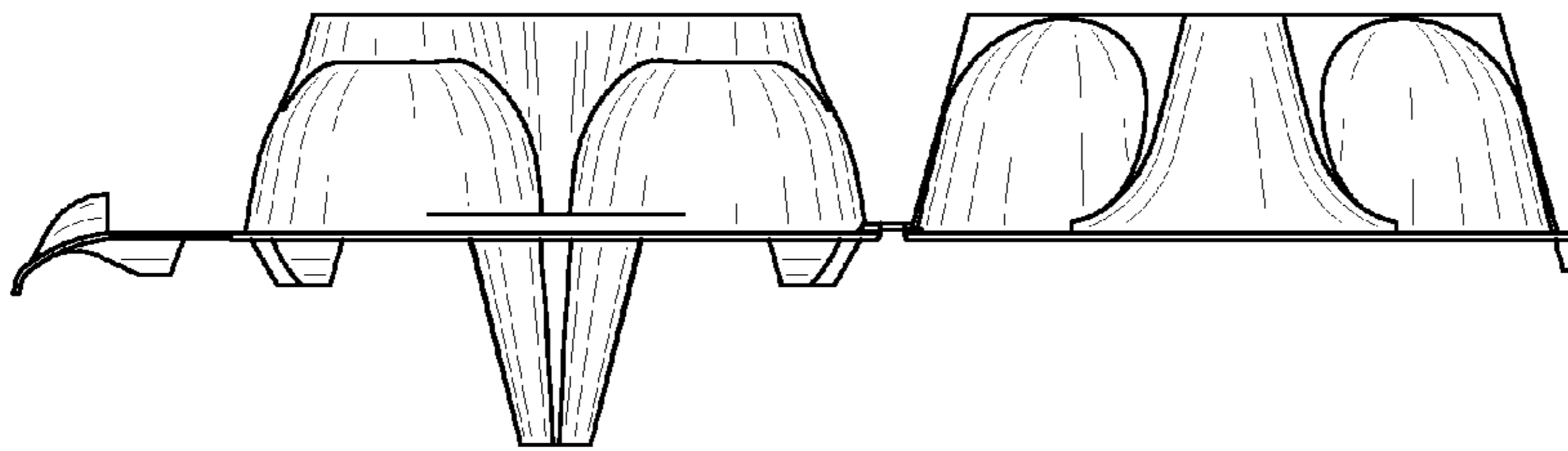


FIG. 1

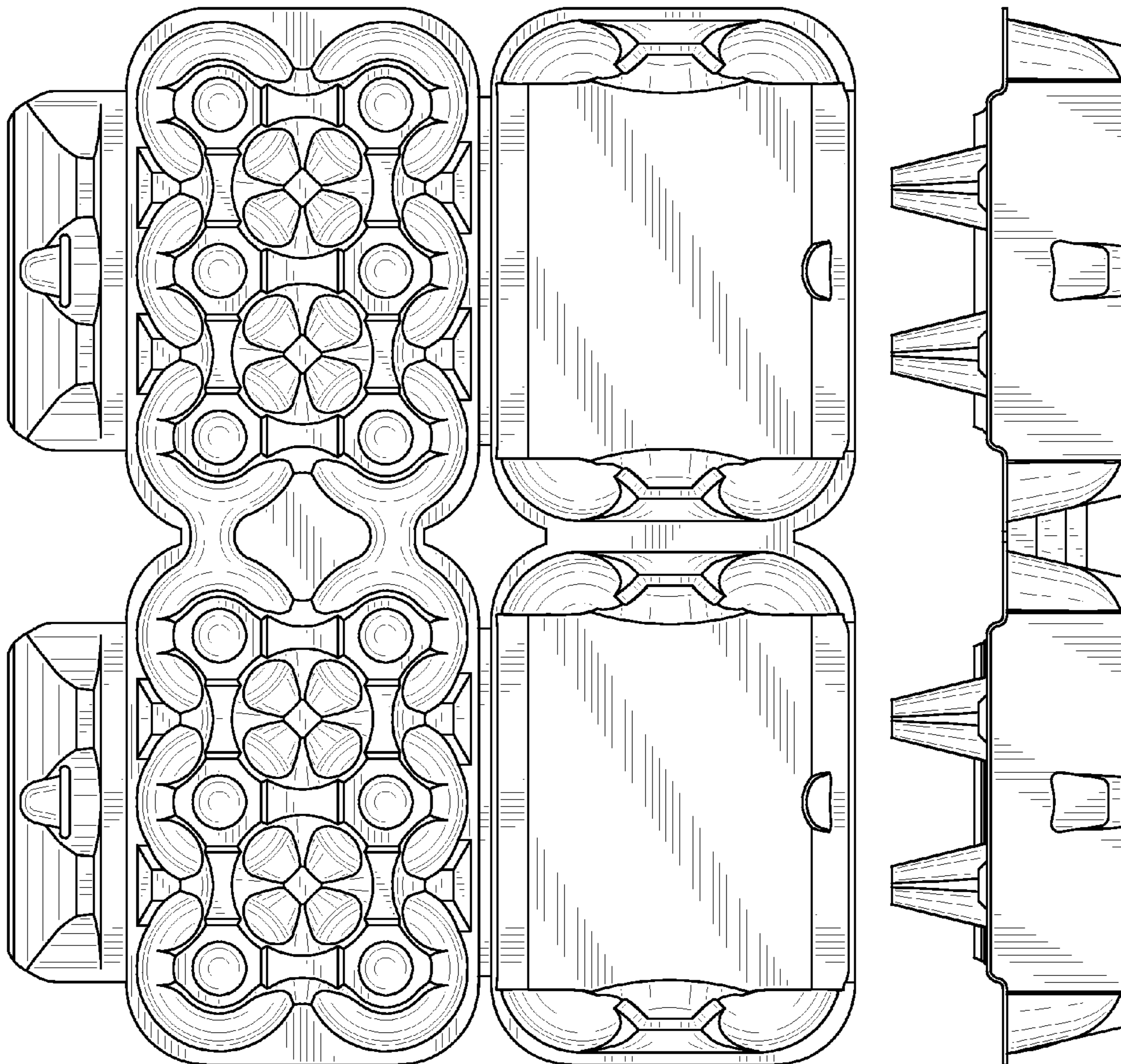


FIG. 2

FIG. 3

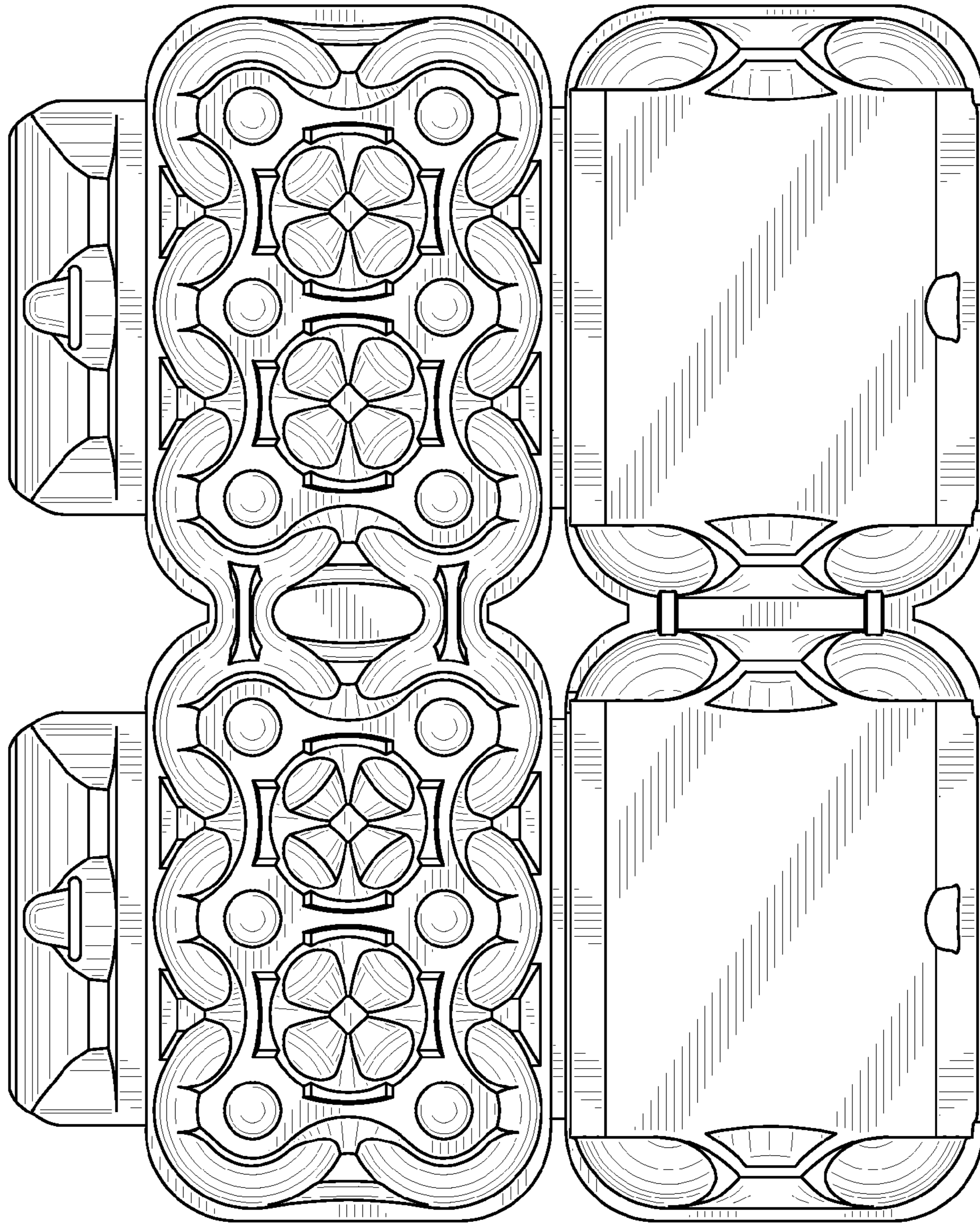


FIG. 4

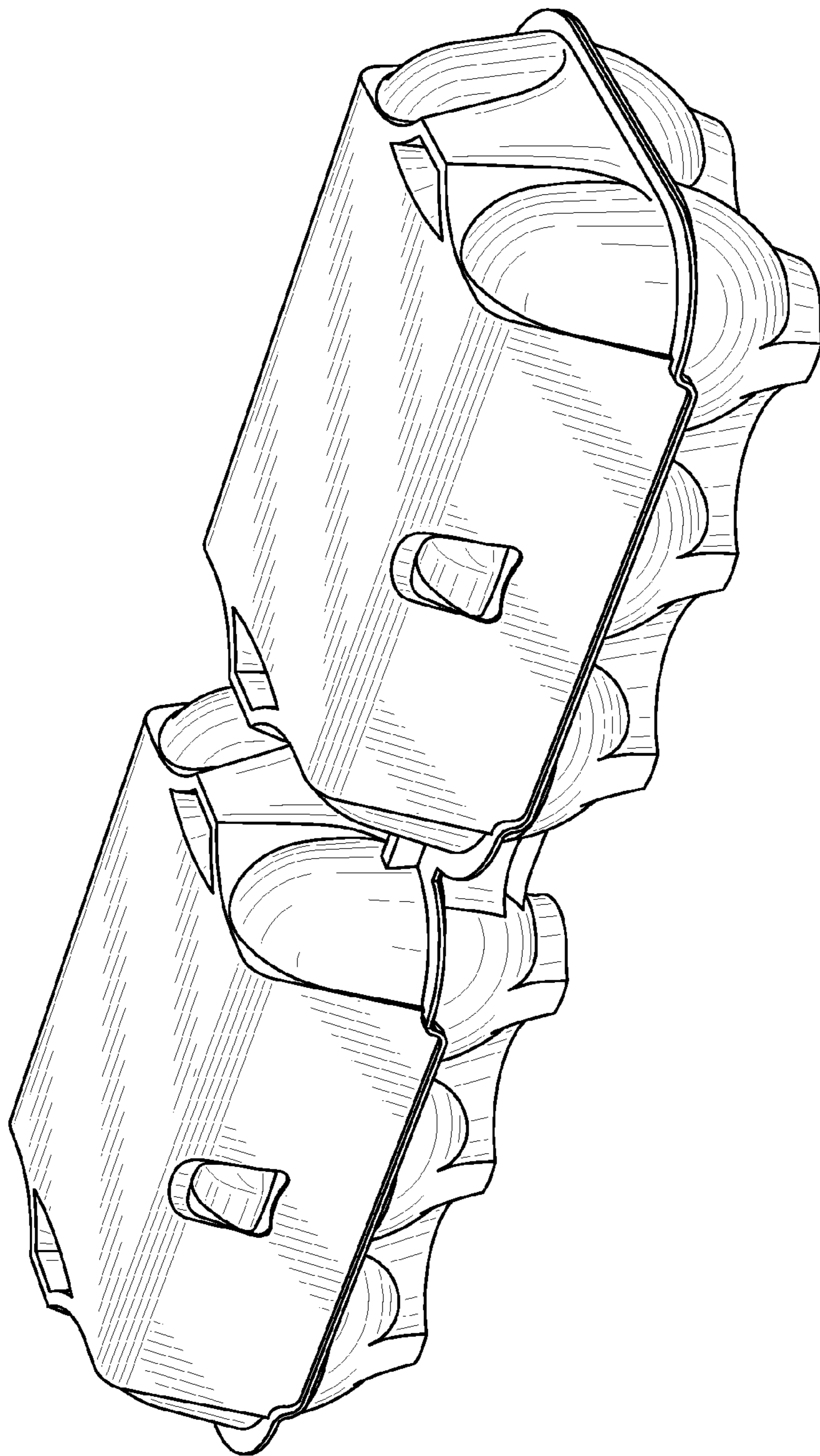


FIG. 5



FIG. 6

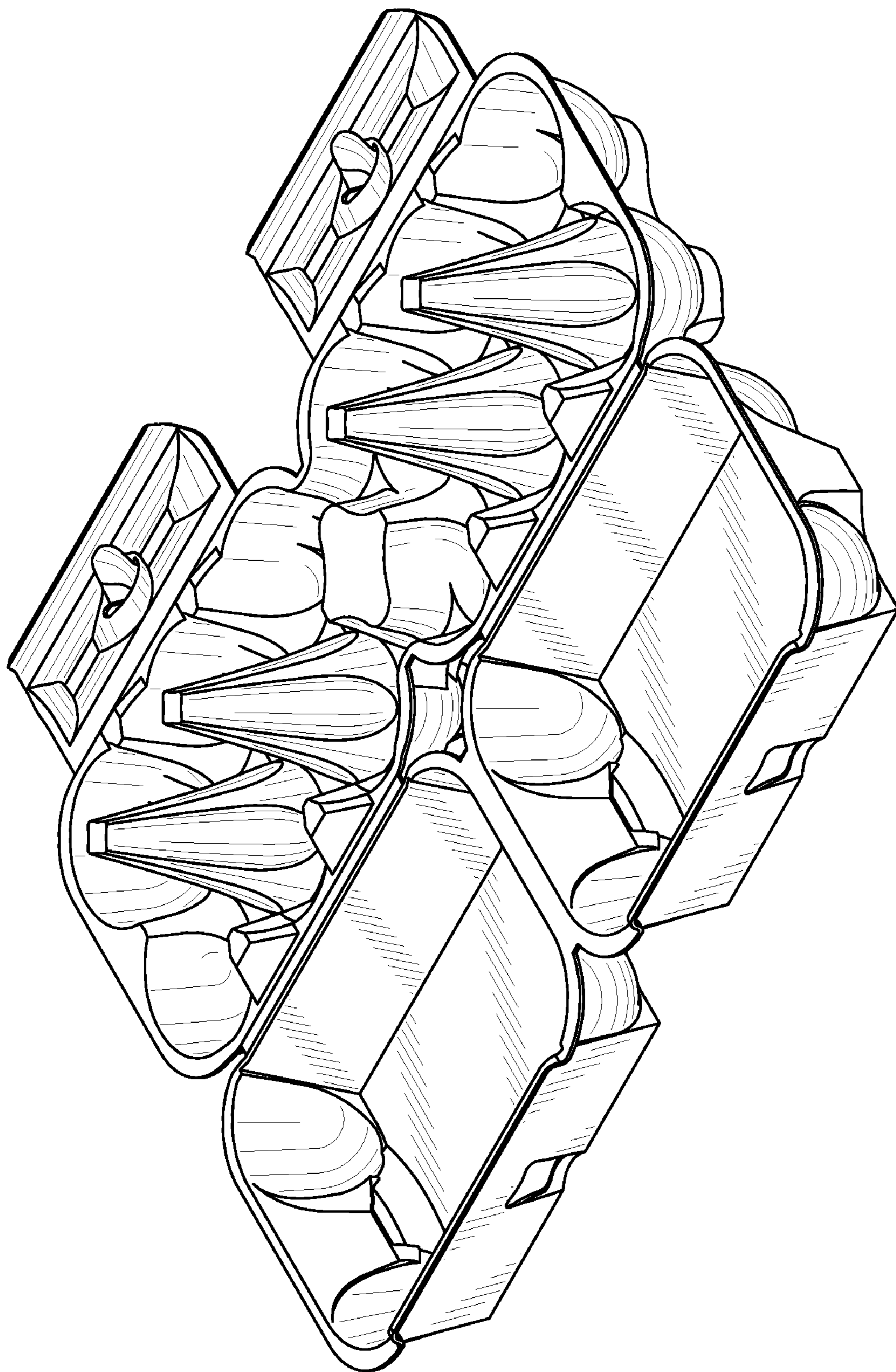


FIG. 7