



US00D632973S

(12) **United States Design Patent**
Criss et al.

(10) **Patent No.:** **US D632,973 S**

(45) **Date of Patent:** **** Feb. 22, 2011**

(54) **PACKAGING CONTAINER HAVING SURFACE ORNAMENTATION**

(75) Inventors: **Susan Elaine Criss**, Maineville, OH (US); **Jason Alan Born**, Loveland, OH (US); **Deborah M. Doan**, Mason, OH (US)

(73) Assignee: **The Procter & Gamble Company**, Cincinnati, OH (US)

(**) Term: **14 Years**

(21) Appl. No.: **29/301,794**

(22) Filed: **Mar. 17, 2008**

(51) **LOC (9) Cl.** **09-05**

(52) **U.S. Cl.** **D9/711**

(58) **Field of Classification Search** D9/643, D9/707, 713, 703, 720, 414, 416, 418, 424-426, D9/430, 432, 433; 206/457, 822; 220/890; 229/116.1, 87.05, 87.01, 87.19, 87.15, 92, 229/92.1, 92.7; 215/400; 383/109

See application file for complete search history.

(56) **References Cited**

U.S. PATENT DOCUMENTS

D4,875 S *	8/1871	Diete	D9/713
D53,723 S *	8/1919	Wilkins	D9/713
D83,245 S *	2/1931	Boyer	D9/713
D84,965 S *	8/1931	Walters	D9/713
D103,446 S *	3/1937	Amend	D9/705
D161,965 S *	2/1951	Rones	D9/705
D203,627 S *	2/1966	Tamarin	D9/713
D356,731 S *	3/1995	Nakaizumi	D9/713
D558,588 S *	1/2008	Lee	D9/707
D600,566 S *	9/2009	Ho et al.	D9/643

* cited by examiner

Primary Examiner—Caron Veynar
Assistant Examiner—Abraham Bahta

(74) *Attorney, Agent, or Firm*—Kelly L. McDow; Cynthia L. Clay

(57) **CLAIM**

The ornamental design for a packaging container having surface ornamentation, as shown and described.

DESCRIPTION

The present application file contains at least one drawing executed in color. Copies of this patent or patent application publication with color drawing(s) will be provided by the Office upon request and payment of the necessary fee.

FIG. 1 is a perspective view of first embodiment of the packaging container having surface ornamentation in a closed position showing our new design;

FIG. 2 is a front view thereof;

FIG. 3 is a rear view thereof;

FIG. 4 is a top view thereof;

FIG. 5 is a bottom view thereof;

FIG. 6 is a right side view thereof, the left side view thereof being a mirror image thereof;

FIG. 7 is a perspective view of a second embodiment of the packaging container having surface ornamentation in a closed position;

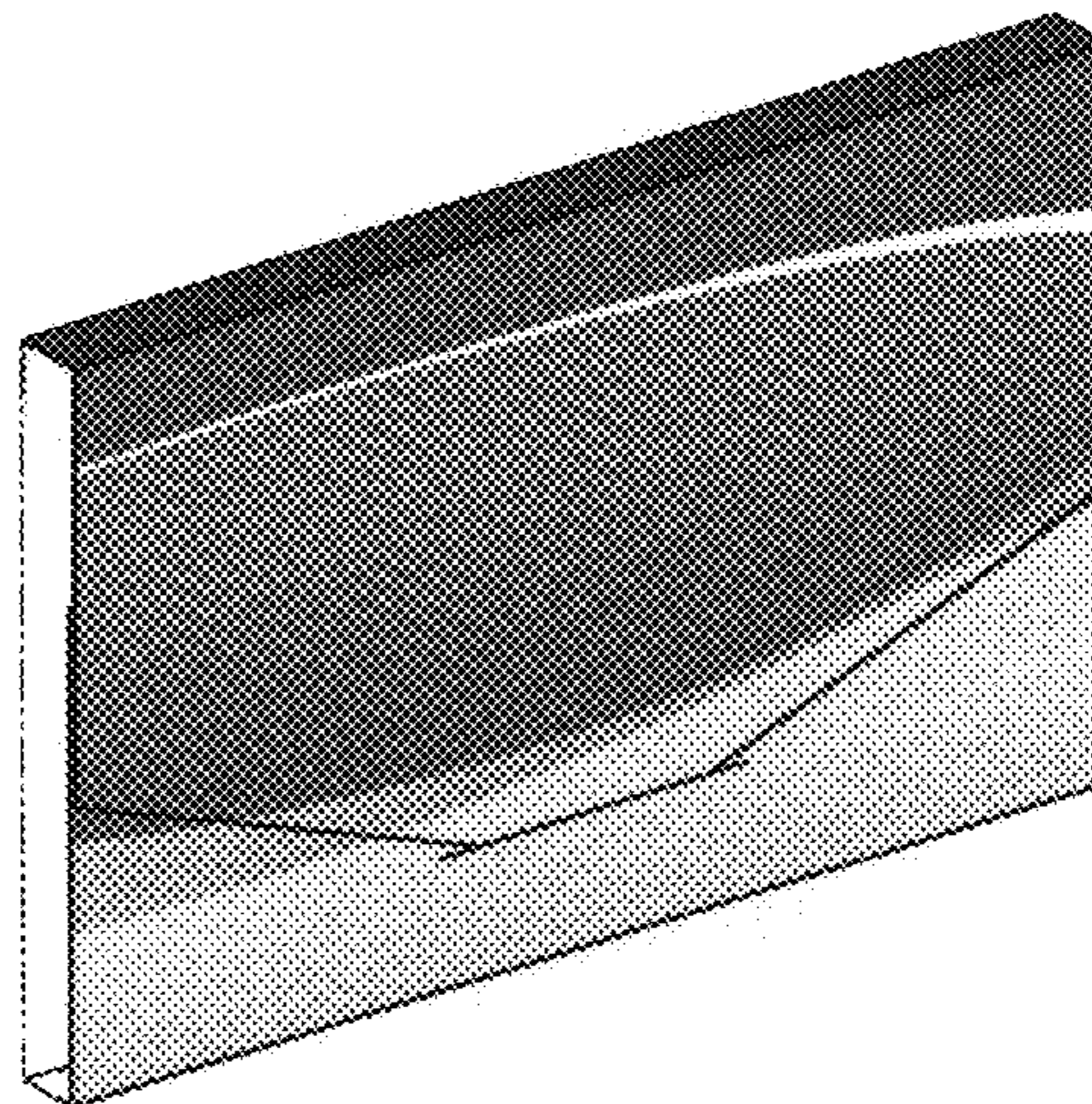
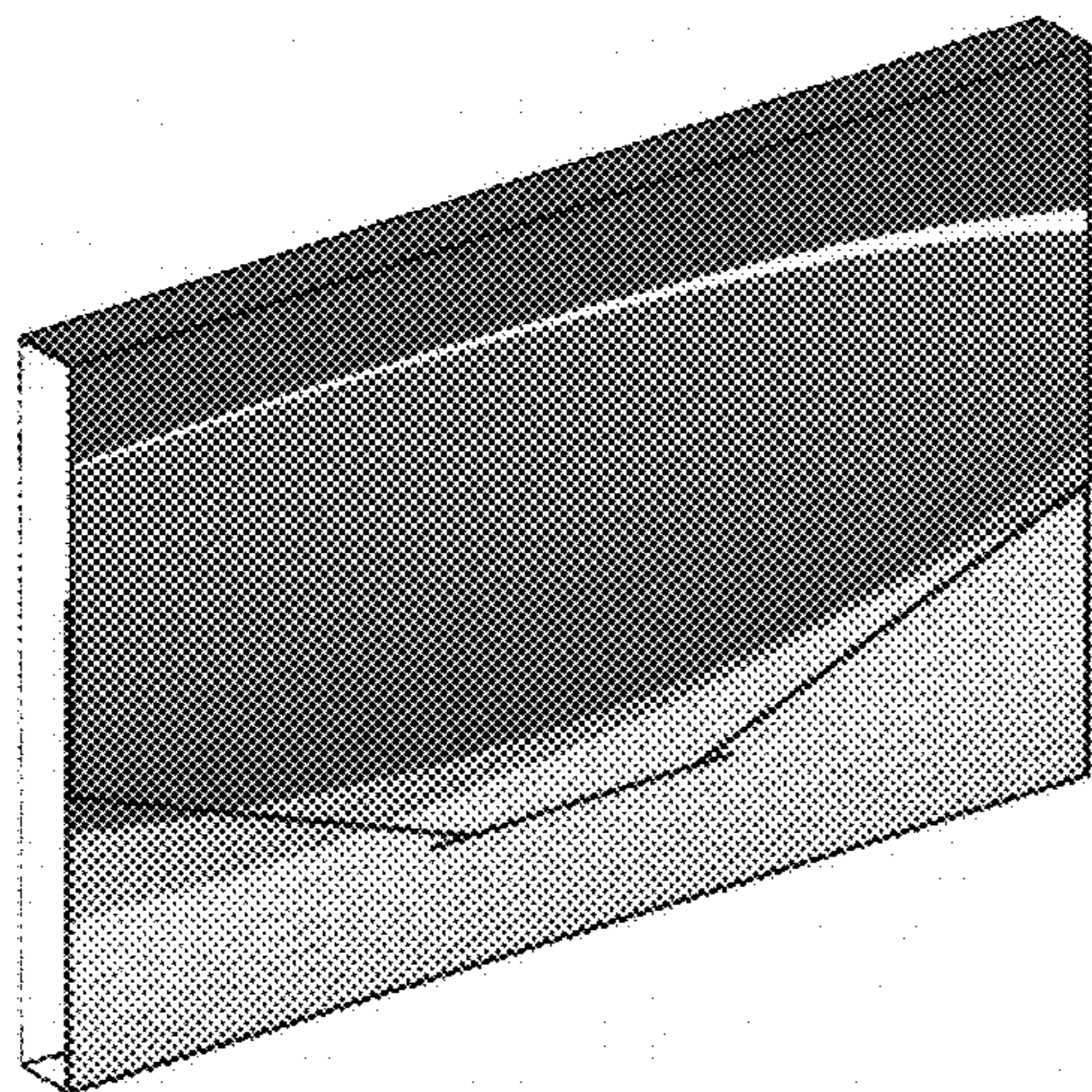
FIG. 8 is a front view thereof;

FIG. 9 is a rear view of the first embodiment packaging container having surface ornamentation shown in an open position; and,

FIG. 10 is a rear view of the second embodiment of the packaging container having surface ornamentation shown in an open position.

The surface ornamentation can be in one or more colors, but not a particular color or colors. Broken lines are included herein for illustrative purposes only and form no part of the claimed design.

1 Claim, 6 Drawing Sheets
(4 of 6 Drawing Sheet(s) Filed in Color)



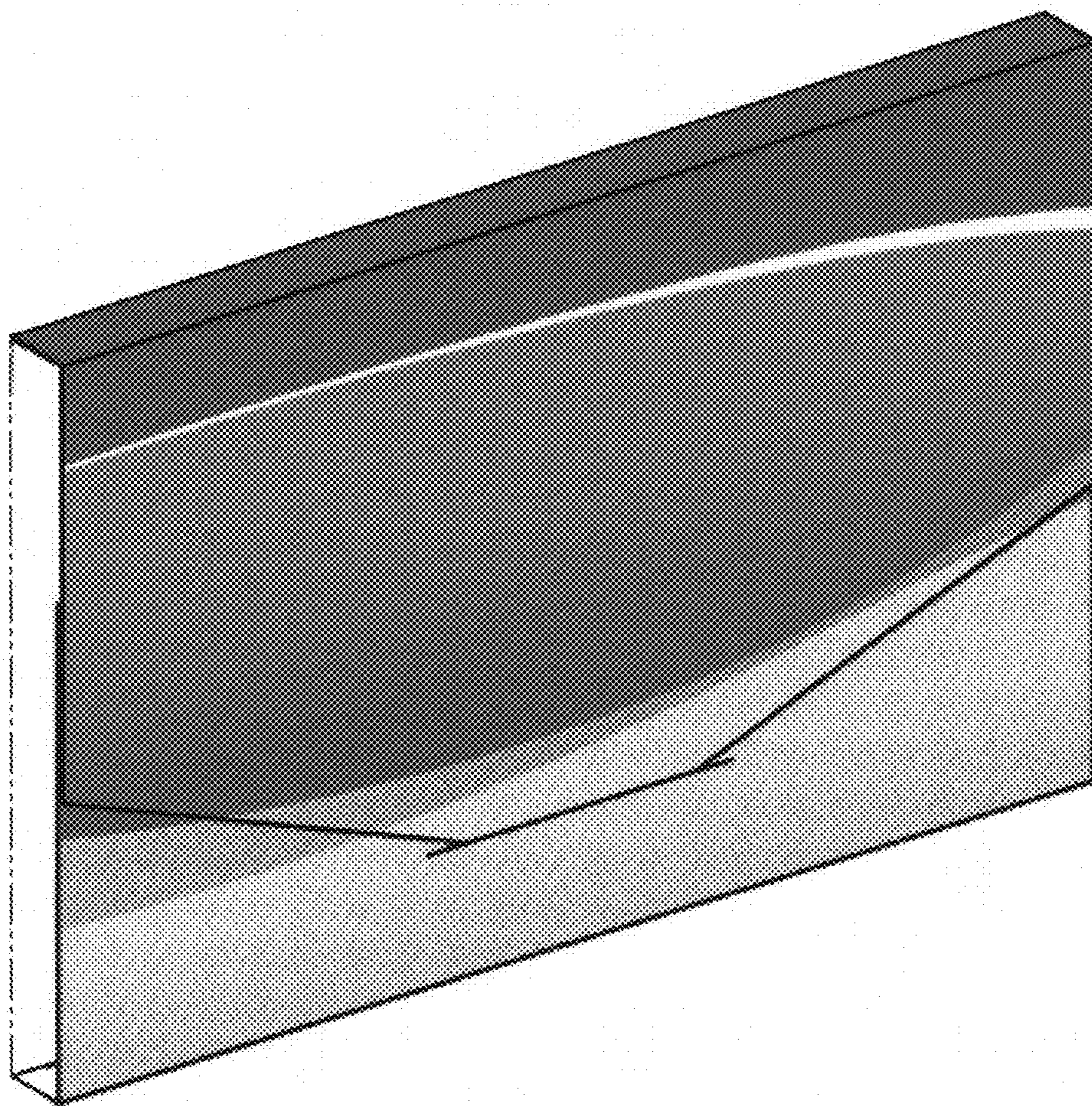


Fig. 1

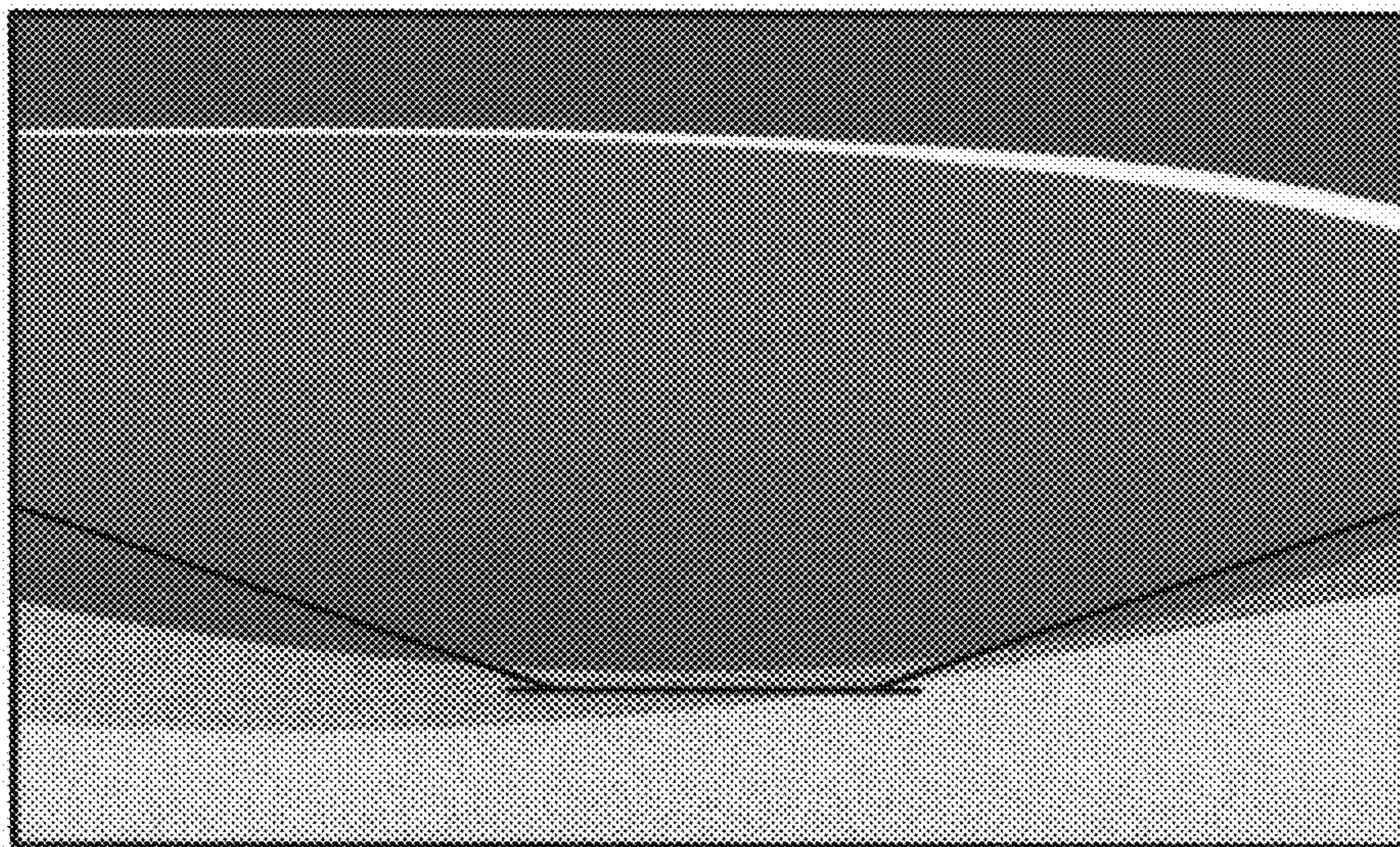


Fig. 2



Fig. 3

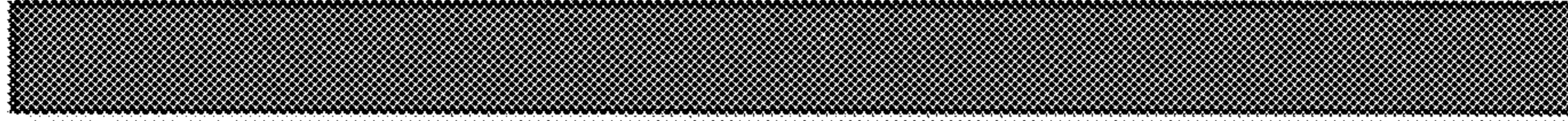


Fig. 4

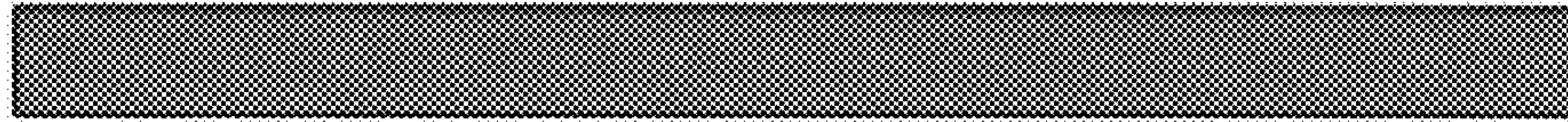


Fig. 5



Fig. 6

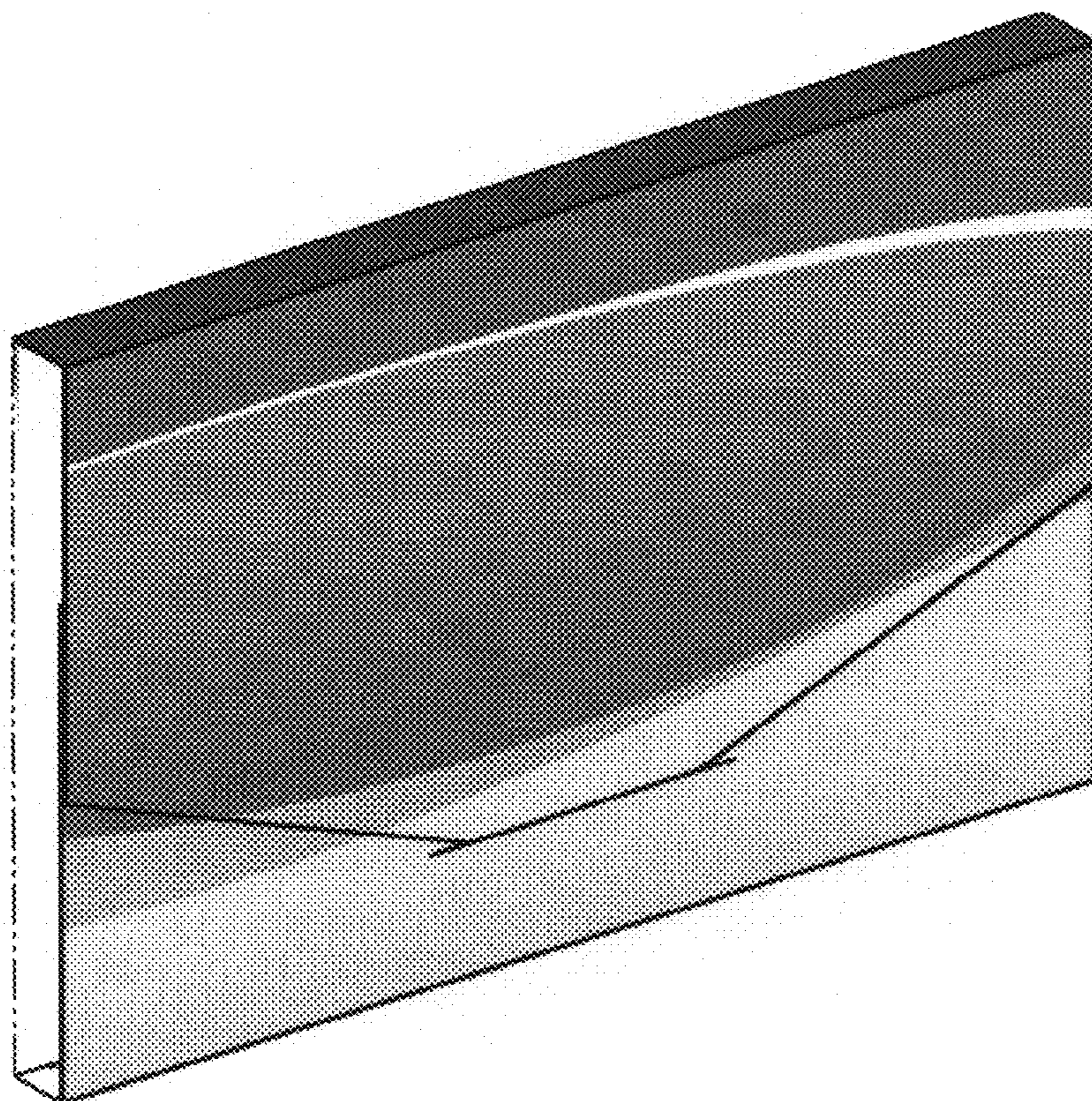


Fig. 7

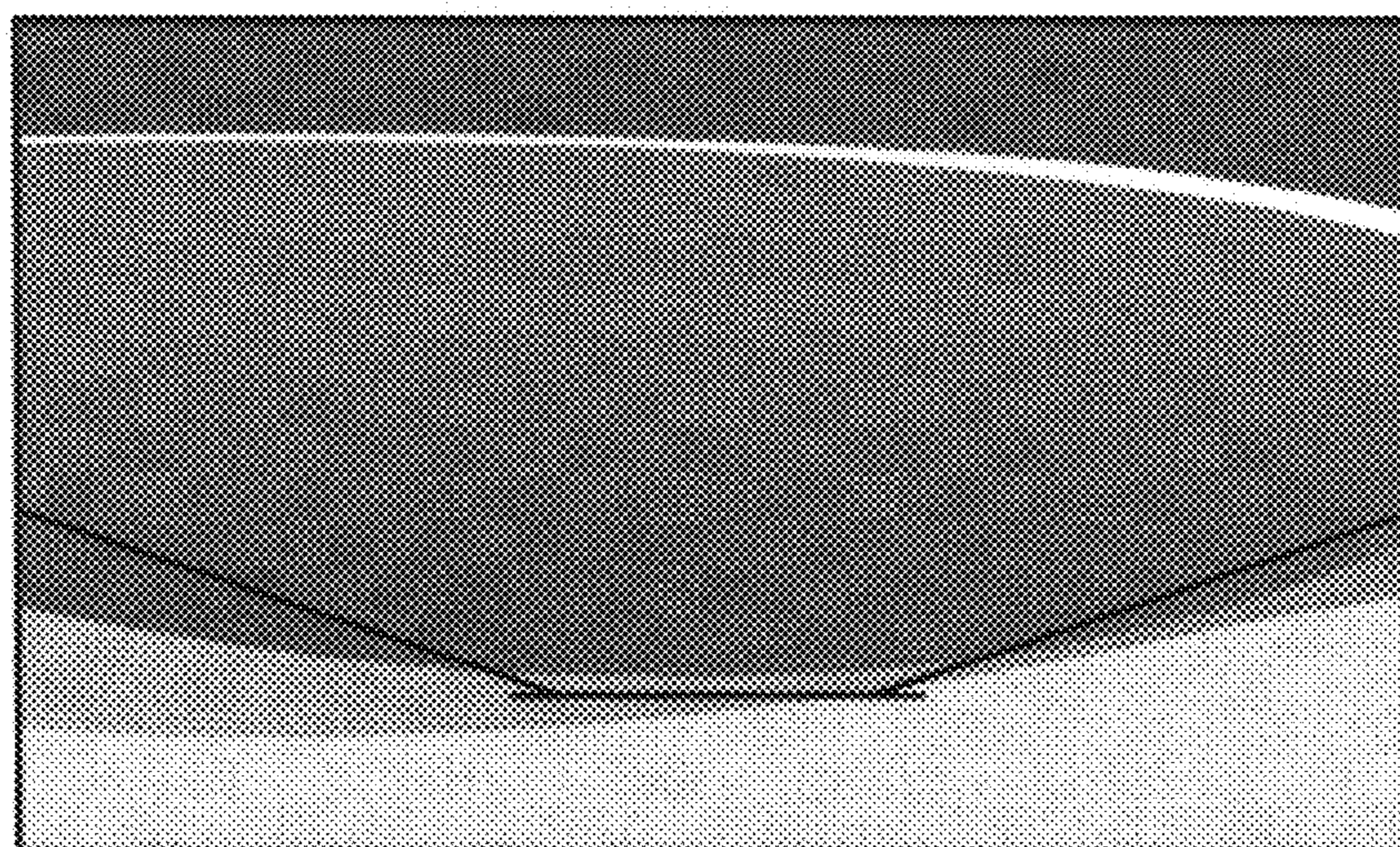


Fig. 8

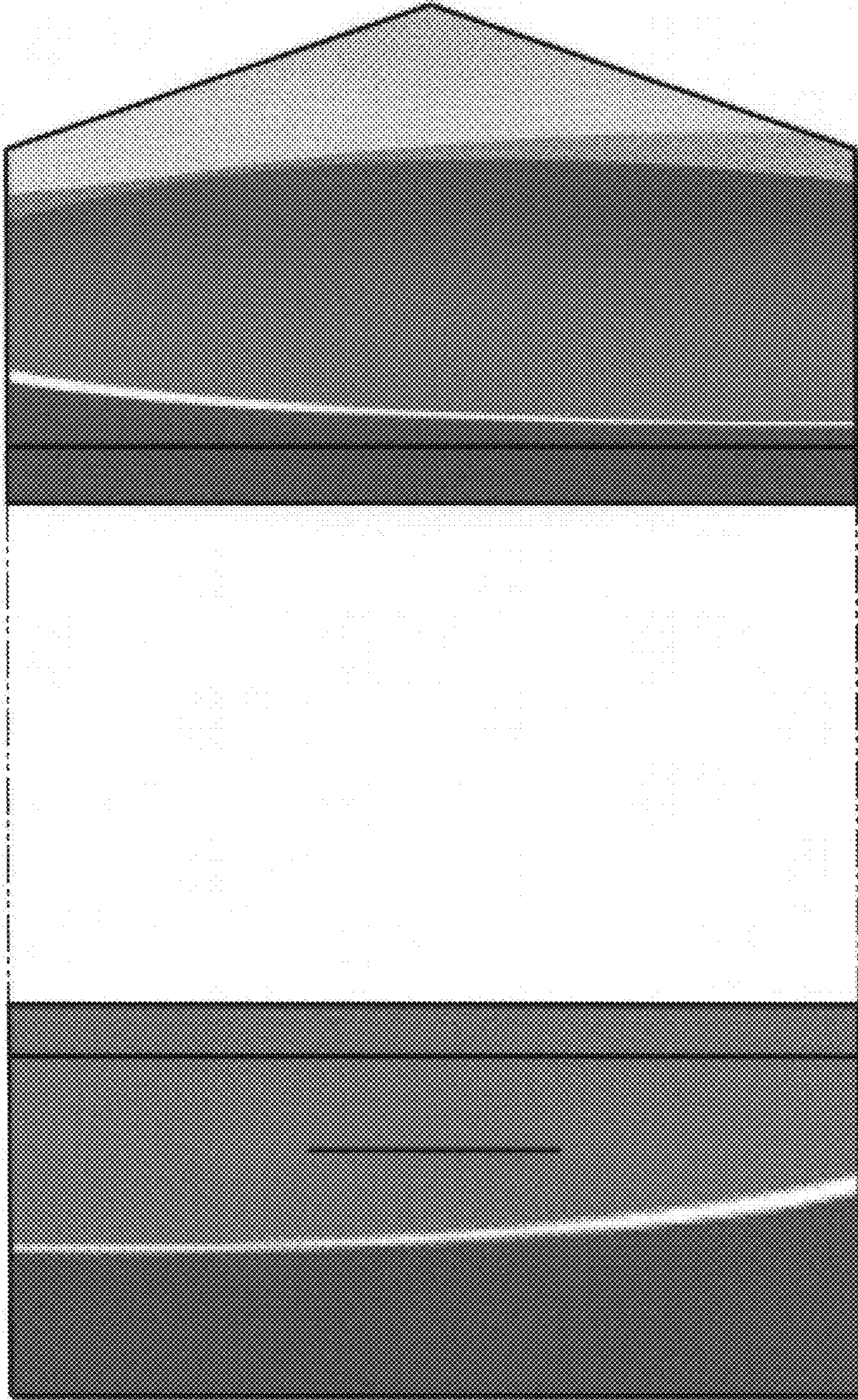


Fig. 9

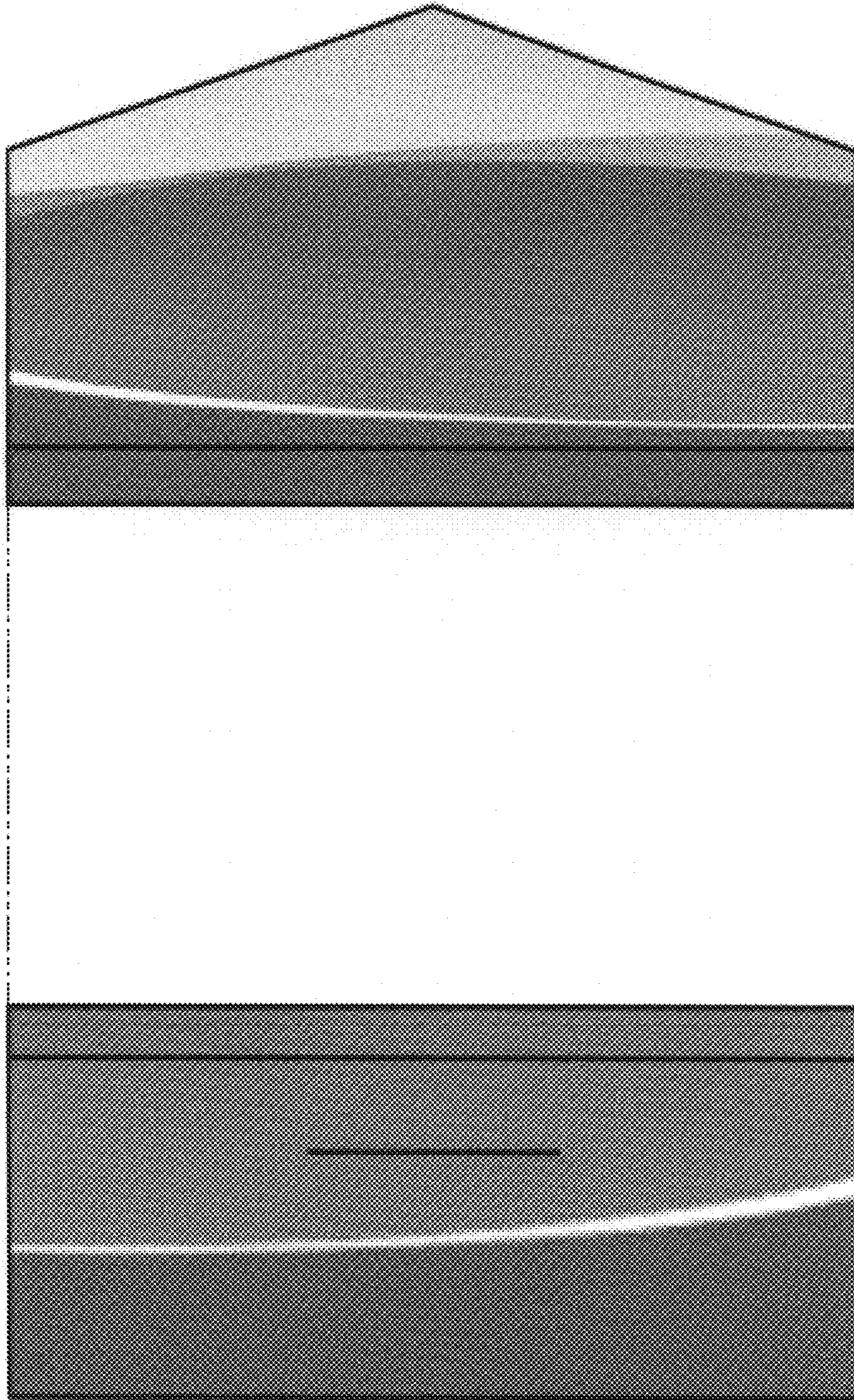


Fig. 10