



US00D632972S

(12) **United States Design Patent**
Yoffe

(10) **Patent No.:** **US D632,972 S**
(45) **Date of Patent:** **** Feb. 22, 2011**

(54) **FOOD BAG**

(75) Inventor: **Itzhak Yoffe**, Savion (IL)

(73) Assignee: **Miba Plast Ltd.**, Holon (IL)

(**) Term: **14 Years**

(21) Appl. No.: **29/359,158**

(22) Filed: **Apr. 7, 2010**

(30) **Foreign Application Priority Data**

Apr. 2, 2010 (EM) 001690512

(51) **LOC (9) Cl.** **09-05**

(52) **U.S. Cl.** **D9/705**

(58) **Field of Classification Search** D9/702-703,
D9/705, 709-710, 430-432, 414, 720; D7/602,
D7/629; 383/61.1, 79, 81, 84, 86, 63, 120,
383/104, 61.2, 127, 907, 105, 42; 426/106;
220/495.03; 222/107; 206/286, 210, 541;
229/904, 938, 902, 87.01, 87.03, 87.19, 92.7,
229/115, 92, 300-303, 67.3, 67.4, 68.1, 92.8,
229/928; D3/239-240, 303, 276, 273, 232,
D3/252, 900-901; 493/216, 917, 918; 283/75,
283/103; D19/1-9, 75, 86

See application file for complete search history.

(56) **References Cited**

U.S. PATENT DOCUMENTS

4,714,190 A * 12/1987 Morocco 229/404

4,993,845 A * 2/1991 Faltynek 383/40
D355,598 S * 2/1995 Aronhalt D9/415
D395,005 S * 6/1998 Burton D9/705
D431,775 S * 10/2000 Plattner et al. D9/415
D472,139 S * 3/2003 Rizzuto, Jr. D9/709
D504,622 S * 5/2005 Takahashi et al. D9/707
D535,569 S * 1/2007 Hunter D9/703
D580,779 S * 11/2008 Hartwell et al. D9/705
D597,851 S * 8/2009 Rea et al. D9/703

* cited by examiner

Primary Examiner—Caron Veynar

Assistant Examiner—Abraham Bahta

(74) *Attorney, Agent, or Firm*—Roach Brown McCarthy &
Gruber, P.C.; Kevin D. McCarthy

(57) **CLAIM**

The ornamental design for a food bag, as shown and described.

DESCRIPTION

FIG. 1 is a front view of a food bag of the applicant's design;

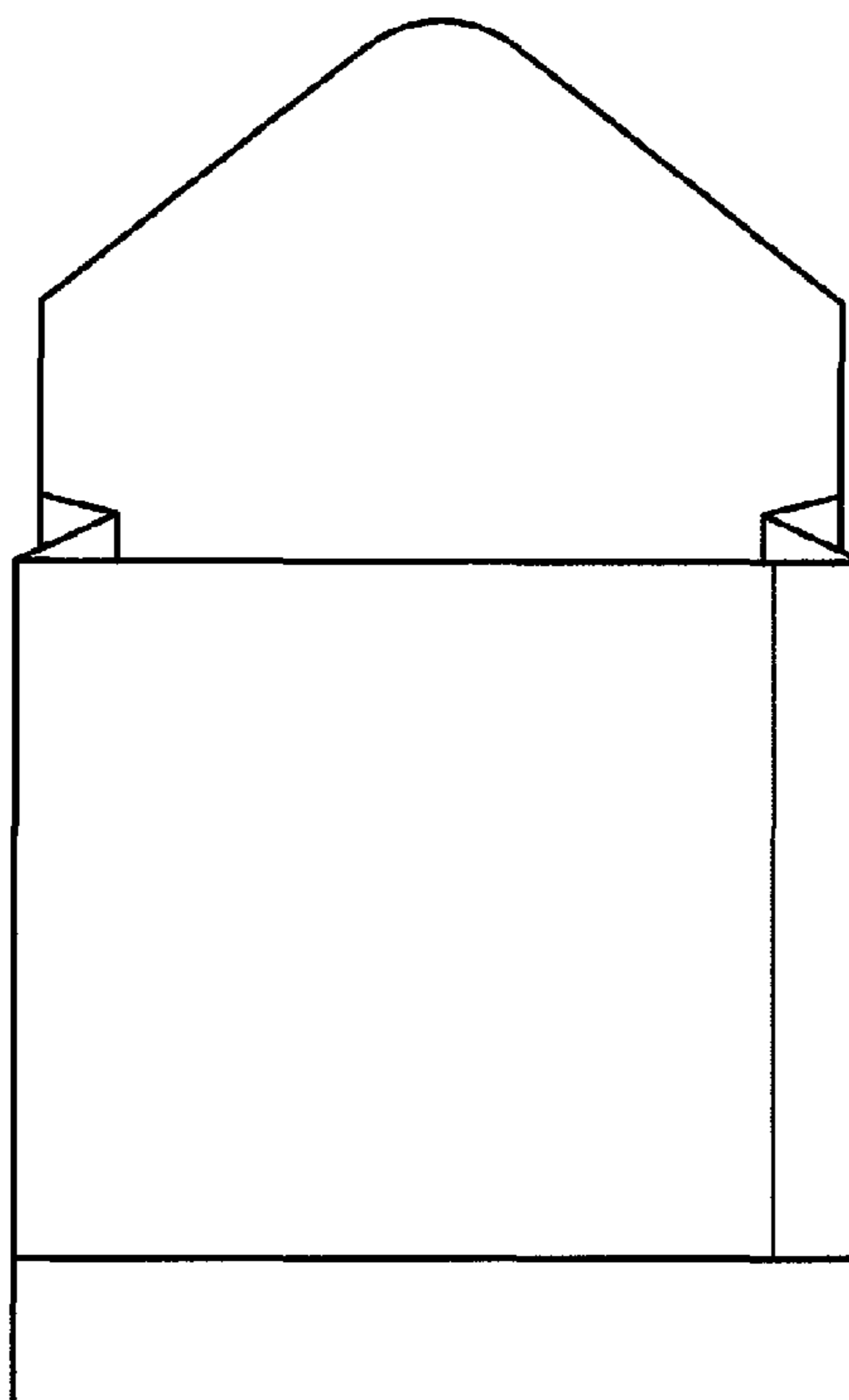
FIG. 2 is a back view thereof;

FIG. 3 is a perspective view of the front, left side view of the food bag;

FIG. 4 is a top view of the food bag; and,

FIG. 5 is a bottom view of the food bag.

1 Claim, 5 Drawing Sheets



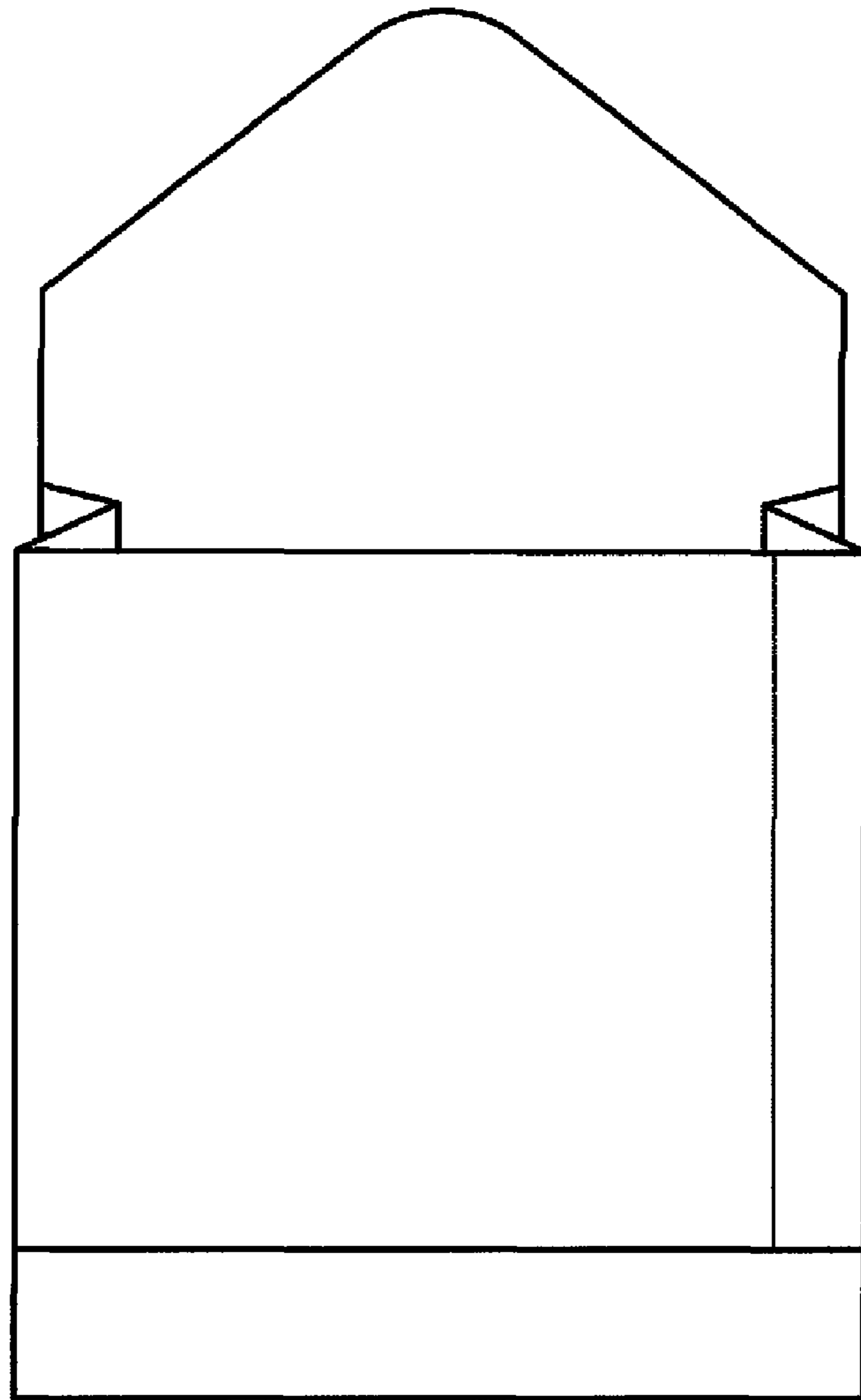


Fig. 1

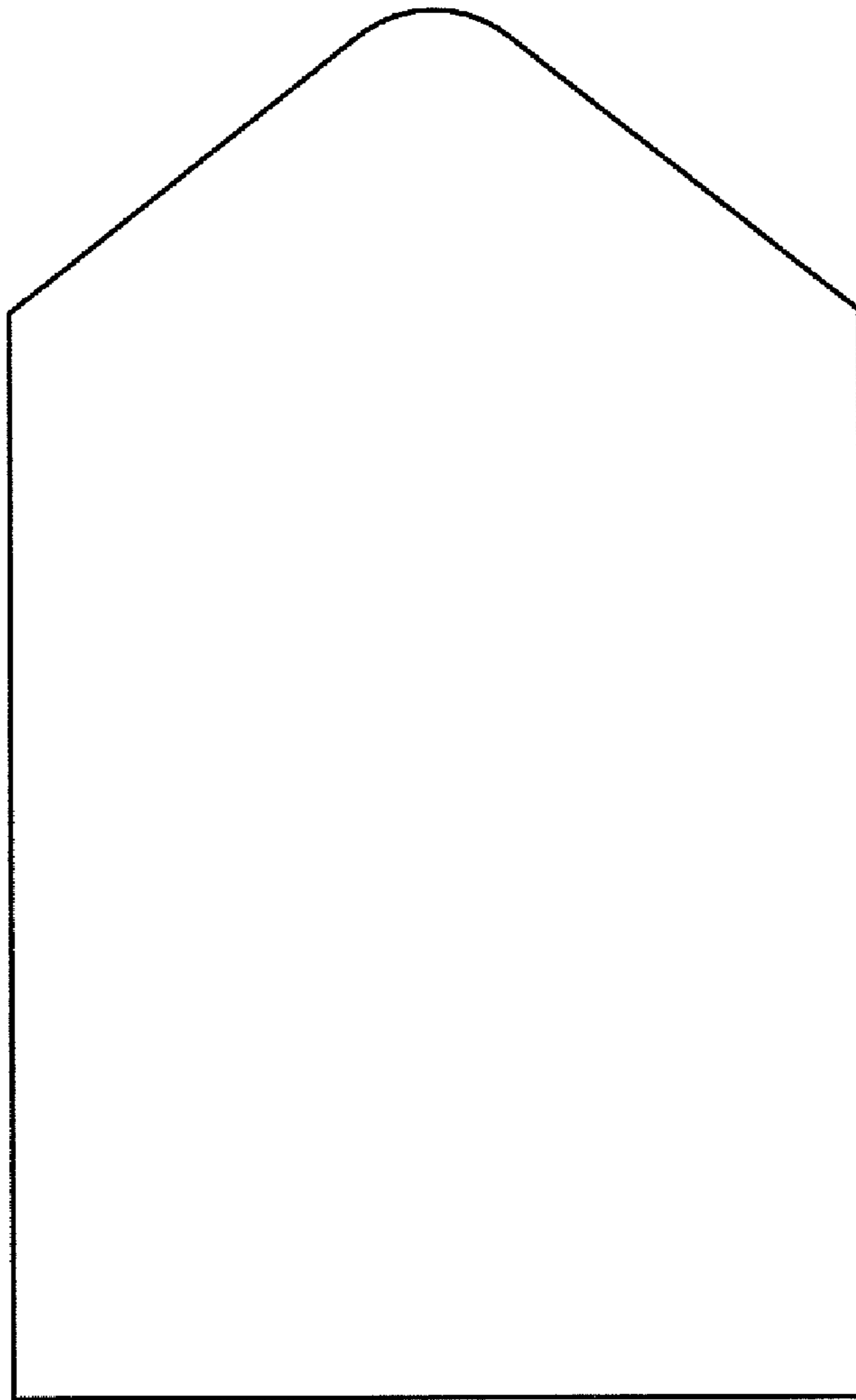


Fig. 2

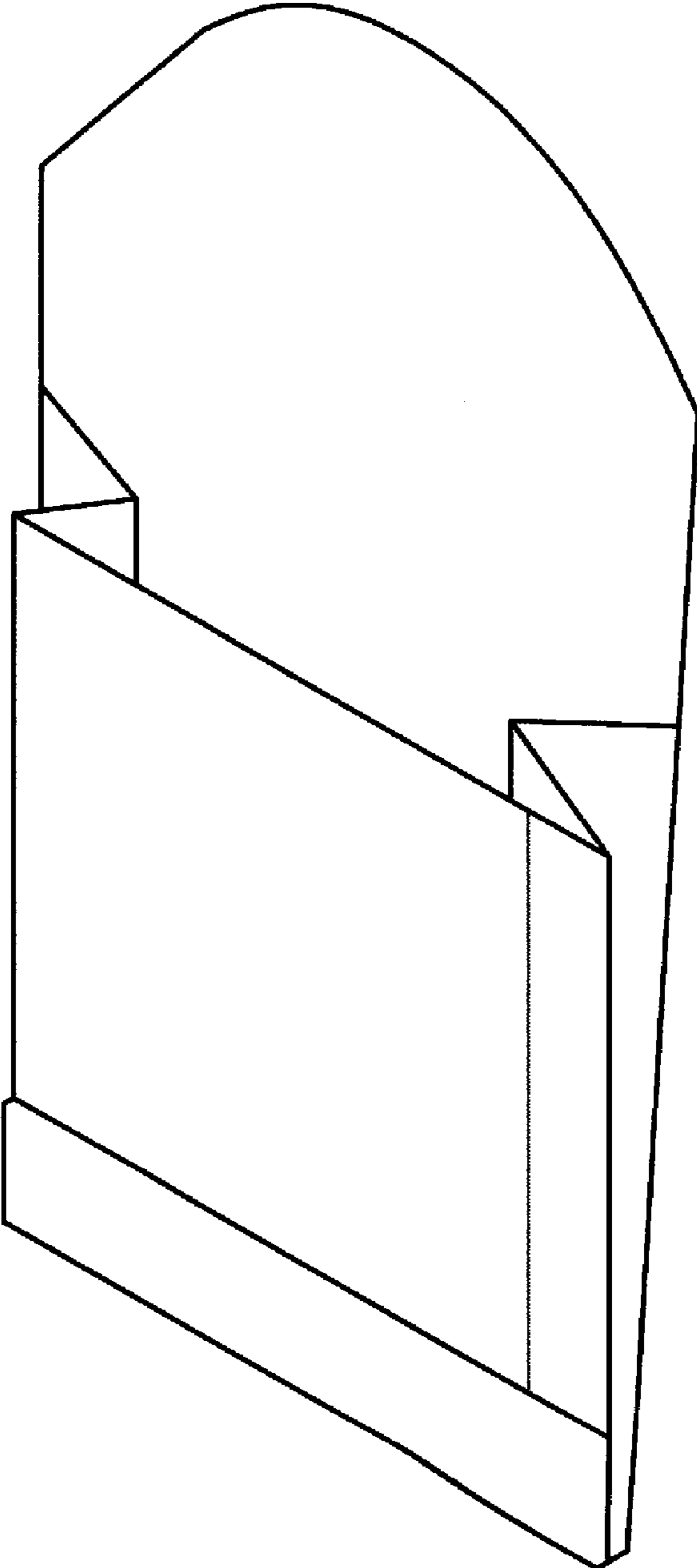


Fig. 3

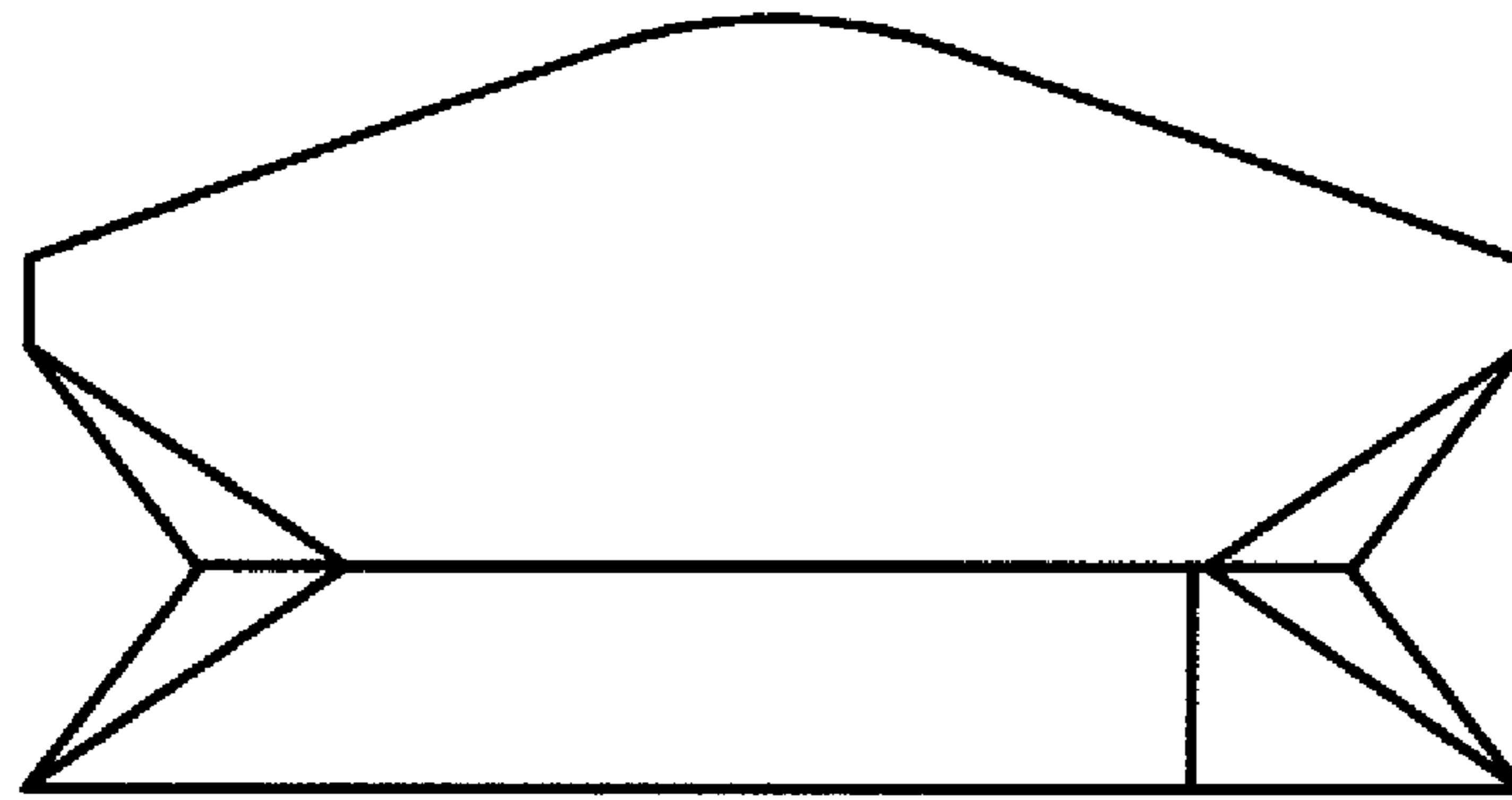


Fig. 4

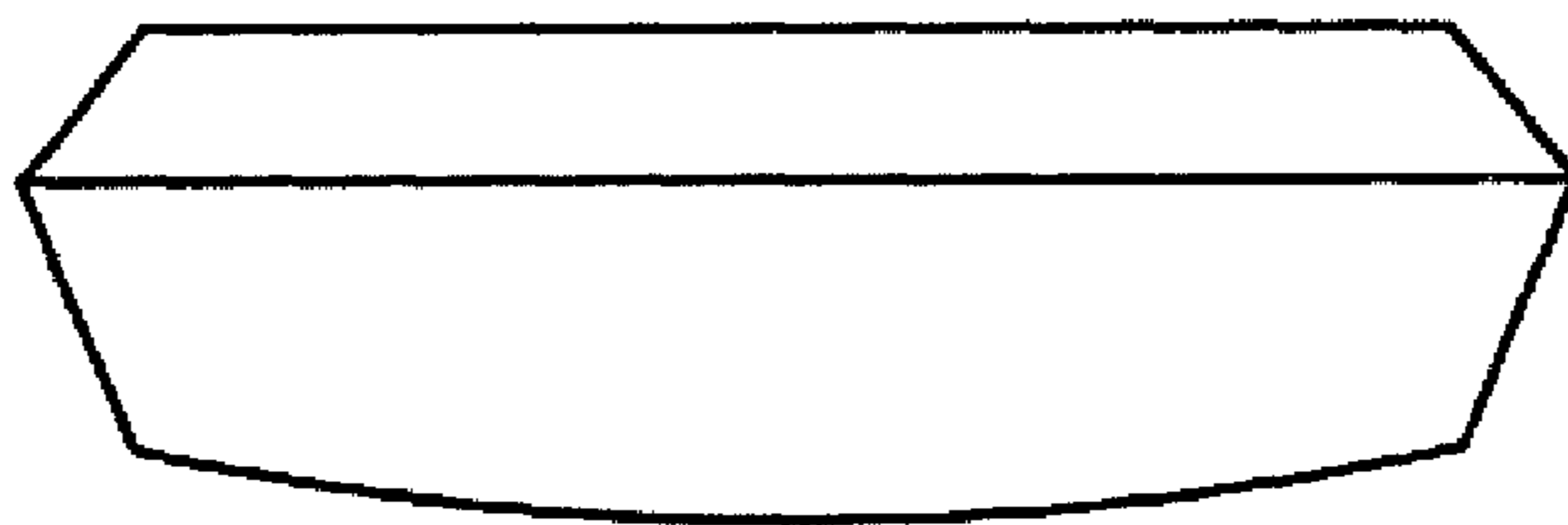


Fig. 5