



US00D632965S

(12) **United States Design Patent**
Lewis et al.

(10) **Patent No.:** **US D632,965 S**
(45) **Date of Patent:** **** Feb. 22, 2011**

(54) **CONTAINER**

(75) Inventors: **Benton A. Lewis**, Manchester, PA (US);
Sheldon E. Yourist, York, PA (US);
April M. Peacock, York, PA (US); **Sunil S. Shah**, York, PA (US)

(73) Assignee: **Graham Packaging Company, L.P.**,
York, PA (US)

(**) Term: **14 Years**

(21) Appl. No.: **29/344,860**

(22) Filed: **Oct. 6, 2009**

(51) **LOC (9) Cl.** **09-01**

(52) **U.S. Cl.** **D9/538; D9/540; D9/551;**
D9/553; D9/557

(58) **Field of Classification Search** D9/516,
D9/530, 537-541, 545, 551, 553-558; 215/381-385
See application file for complete search history.

(56) **References Cited**

U.S. PATENT DOCUMENTS

D166,731 S	5/1952	Blunt	
D199,279 S *	9/1964	Koenigsberg	D9/550 X
D219,262 S	11/1970	Lambelet	
D344,457 S *	2/1994	Prevot et al.	D9/537
5,971,184 A *	10/1999	Krishnakumar et al.	215/384
D419,058 S	1/2000	Roth et al.	
D423,936 S *	5/2000	Smith et al.	D9/557 X
D443,521 S *	6/2001	Bansal et al.	D9/543
D448,303 S *	9/2001	Cheng et al.	D9/539
D455,351 S	4/2002	Bailey	
6,439,413 B1 *	8/2002	Prevot et al.	215/381
D466,021 S	11/2002	Thierjung et al.	
D485,765 S	1/2004	Thierjung et al.	
D494,475 S	8/2004	Thierjung et al.	
D496,281 S *	9/2004	Trude	D9/540
D501,404 S	2/2005	Dalton et al.	
D502,100 S	2/2005	Bretz et al.	
D510,025 S	9/2005	Venkataraman et al.	
D512,312 S	12/2005	Bretz et al.	
D513,591 S	1/2006	Ducret	

D522,870 S *	6/2006	Venkataraman et al.	D9/538
D523,345 S *	6/2006	Kamineni	D9/537
D535,884 S	1/2007	Davis et al.	
D538,168 S *	3/2007	Davis et al.	D9/538
D538,661 S	3/2007	Wolf et al.	
D542,666 S *	5/2007	Trude	D9/551
D545,199 S *	6/2007	MacLean	D9/553 X
D547,664 S *	7/2007	Davis et al.	D9/538
D561,037 S *	2/2008	Boon	D9/539
D565,416 S *	4/2008	Lepoitevin	D9/538
D571,214 S	6/2008	Caszatt	
D580,763 S	11/2008	Perez	
D588,917 S	3/2009	Shmagin	
D592,969 S	5/2009	Hazelton et al.	
D595,143 S	6/2009	Hazelton et al.	
D600,122 S	9/2009	Strasser et al.	
D611,349 S *	3/2010	Shah et al.	D9/516
D612,250 S *	3/2010	Shah	D9/538
D613,170 S *	4/2010	Lewis et al.	D9/516
2007/0090083 A1 *	4/2007	Trude	215/384

* cited by examiner

Primary Examiner—Carol Rademaker

(74) *Attorney, Agent, or Firm*—Knoble Yoshida & Dunleavy, LLC

(57) **CLAIM**

The ornamental design for a “container,” as shown and described.

DESCRIPTION

FIG. 1 is a top, front, and right side perspective view of a container showing our new design;

FIG. 2 is a front elevational view thereof;

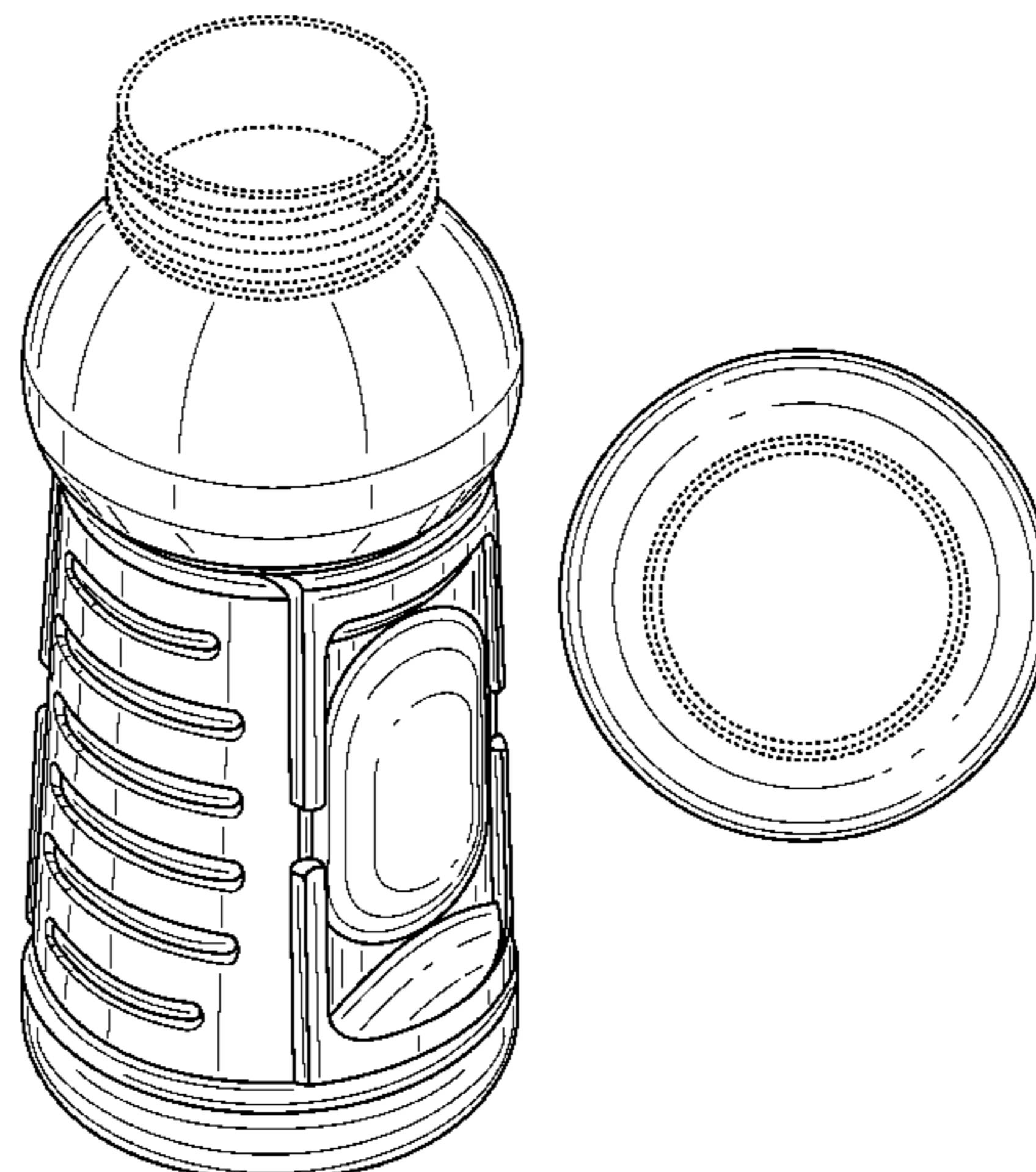
FIG. 3 is a rear elevational view thereof;

FIG. 4 is a right side elevational view thereof, the left side elevational view being a mirror image; and,

FIG. 5 is a top plan view thereof.

The broken lines in the drawings of a pour spout and threads are included for the purpose of showing environmental structure that forms no part of the claimed design.

1 Claim, 5 Drawing Sheets



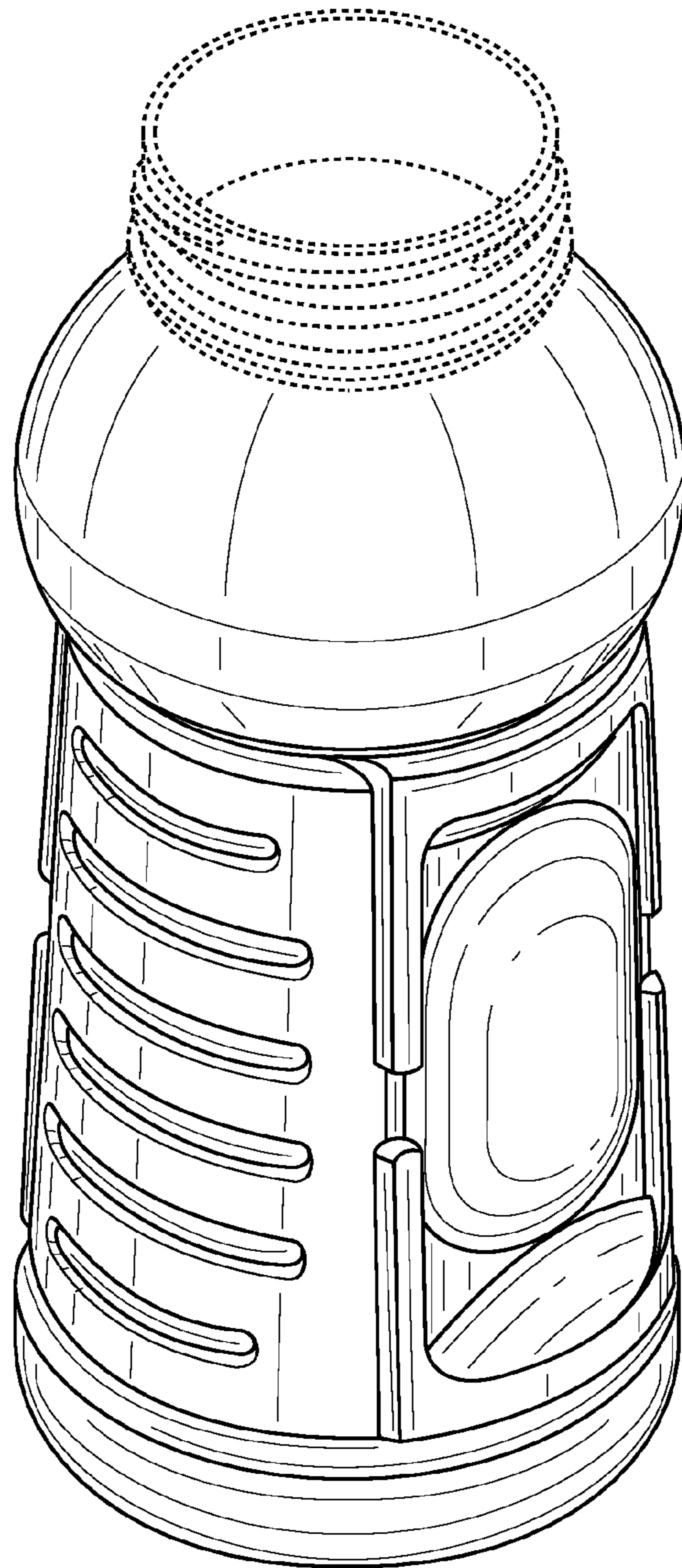


FIG. 1

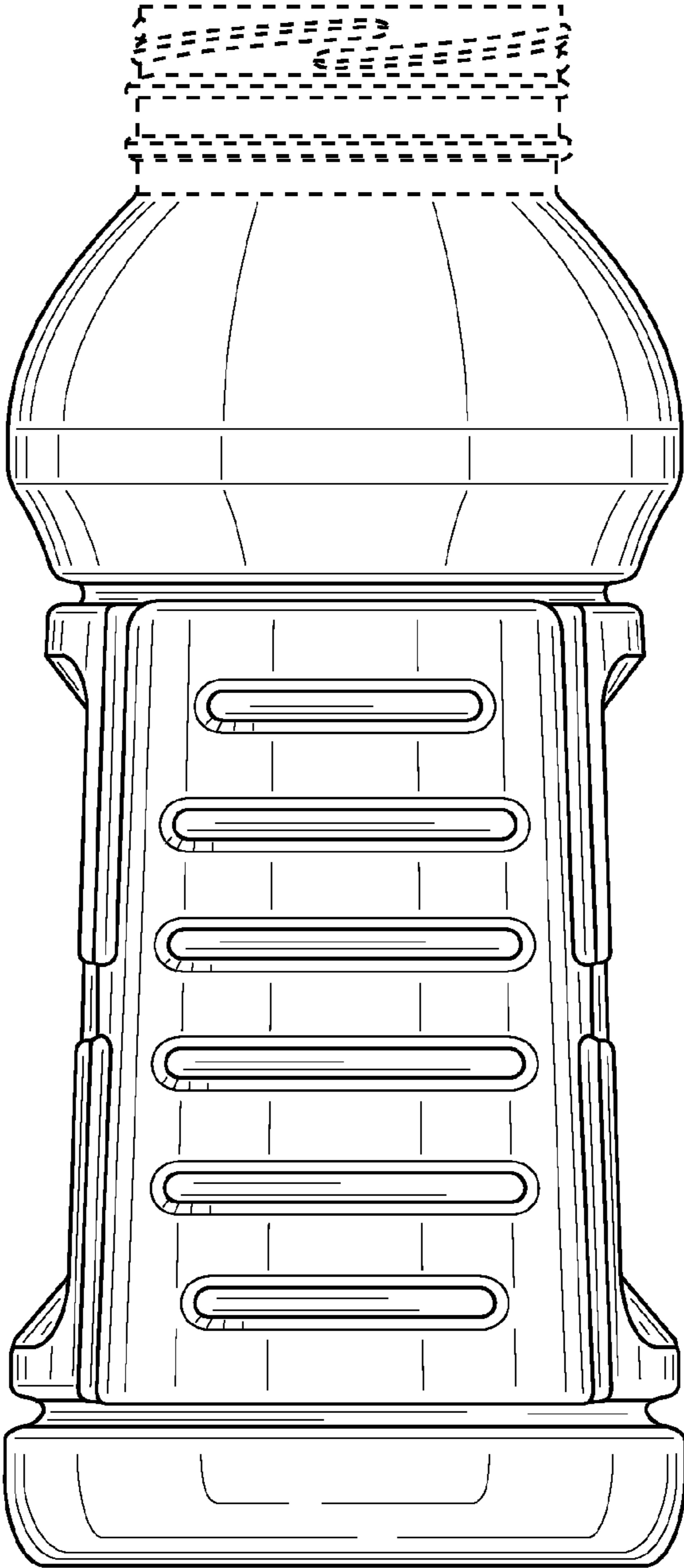


FIG. 2

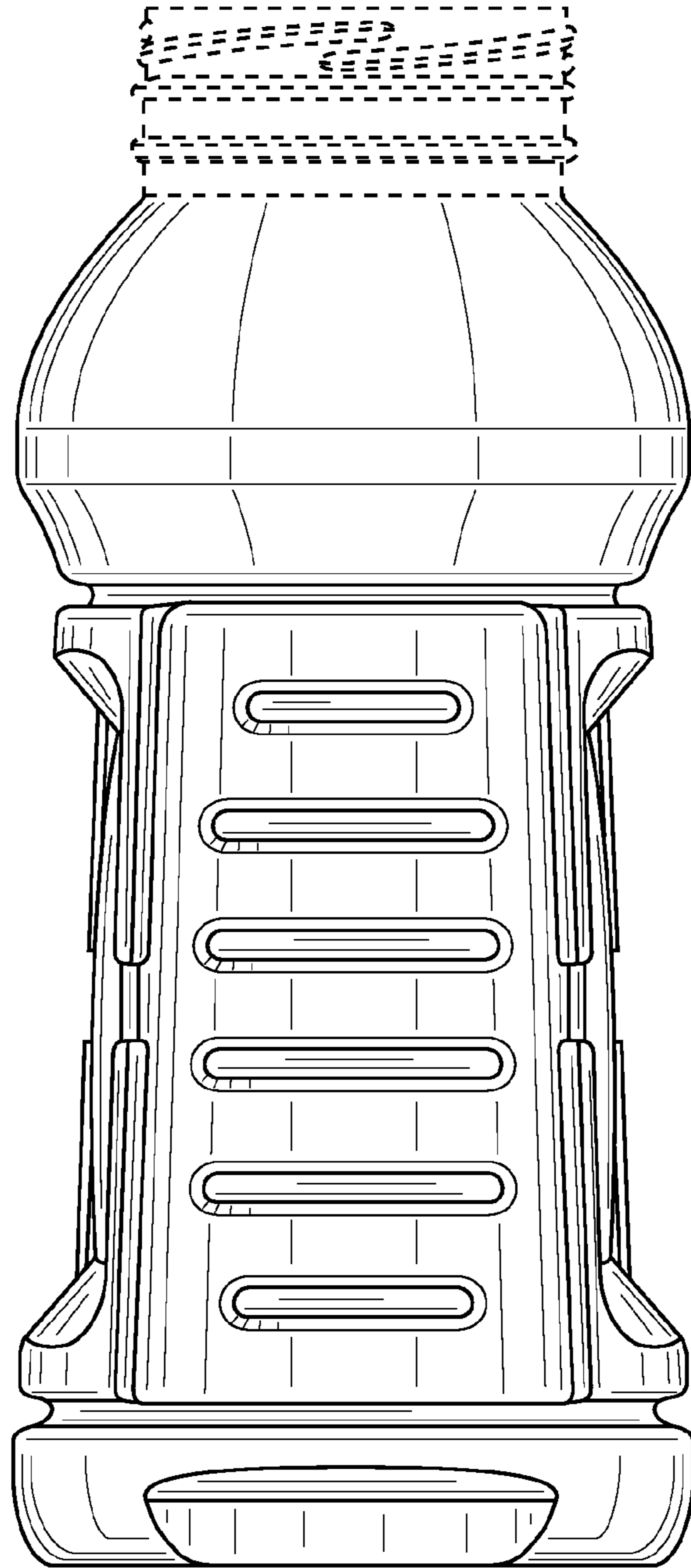


FIG. 3

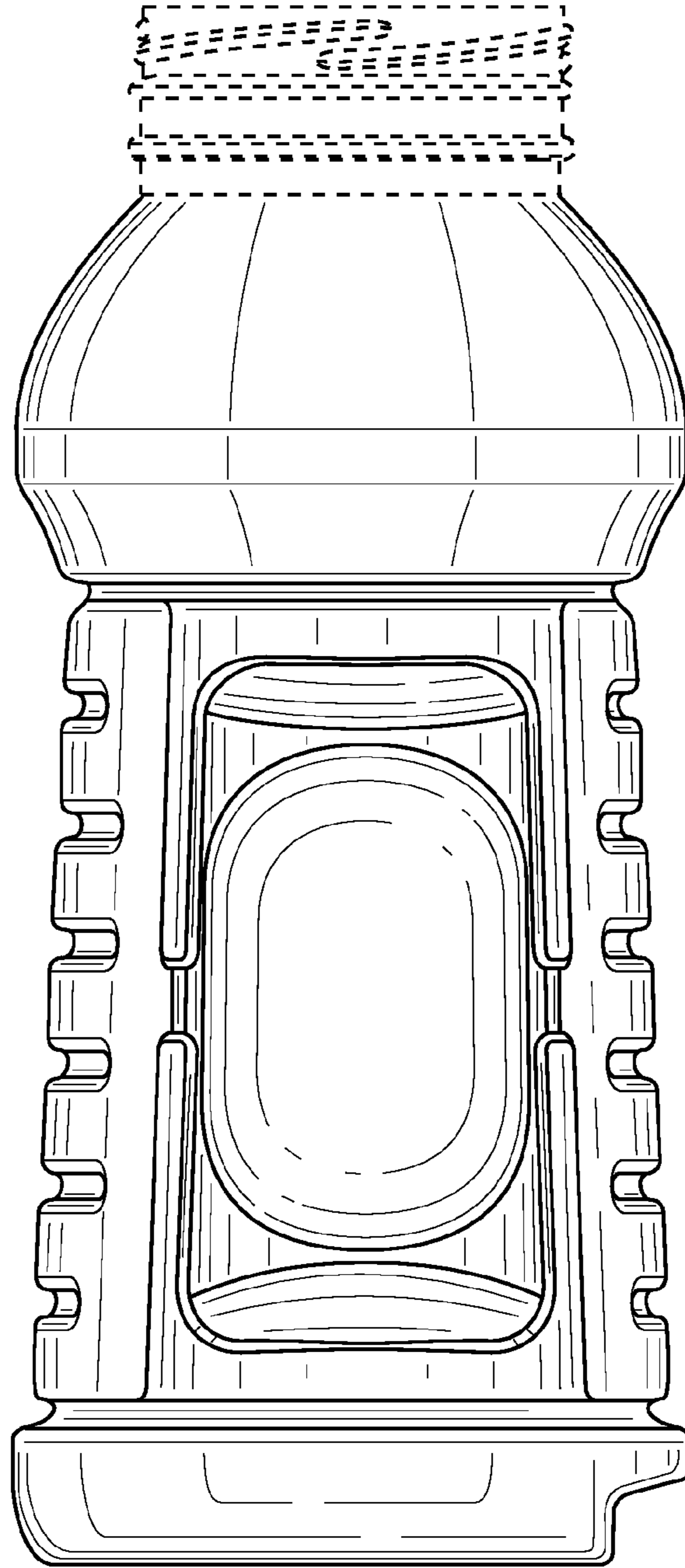


FIG. 4

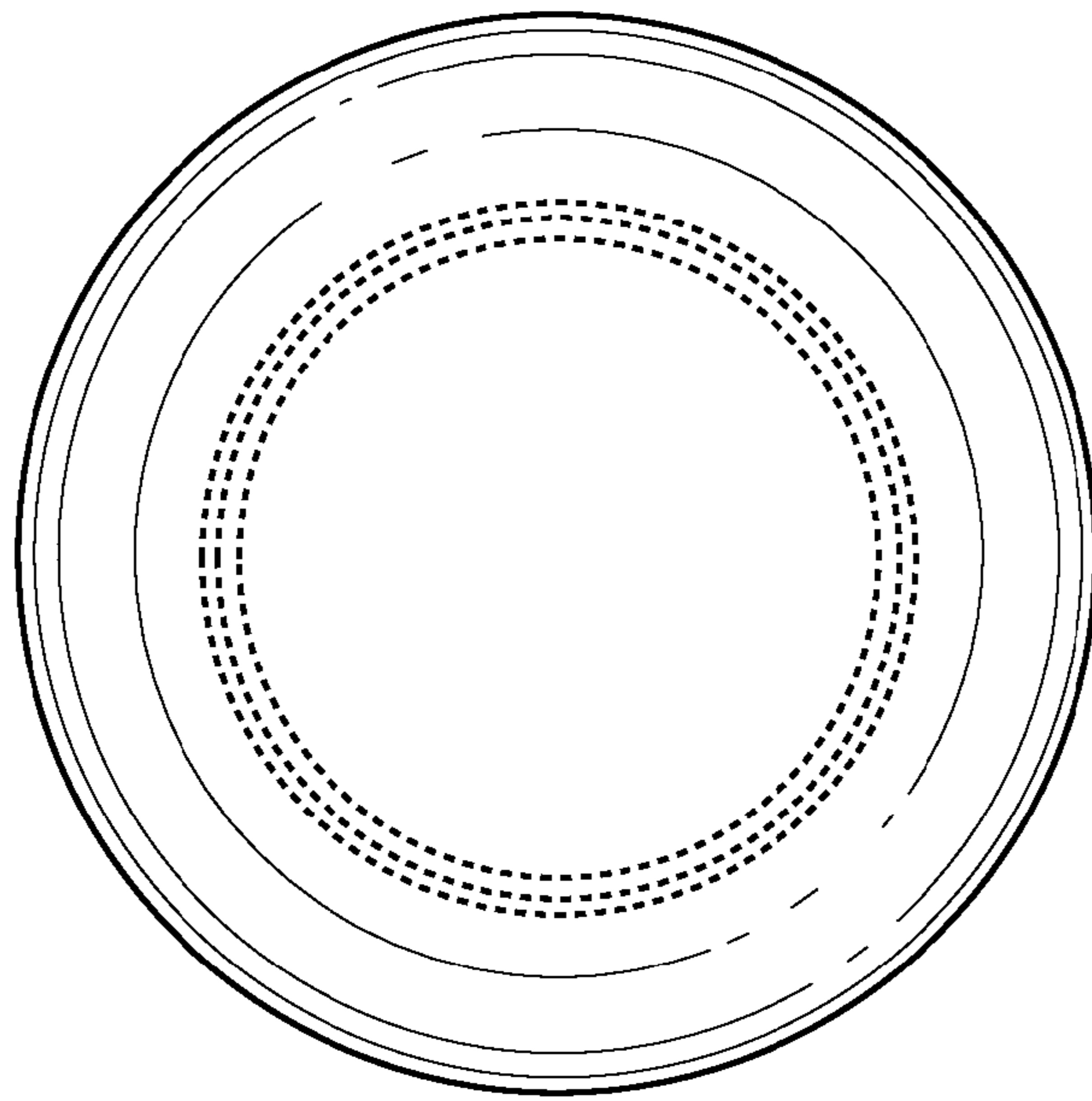


FIG. 5