



US00D632964S

(12) **United States Design Patent**  
**Shah et al.**

(10) **Patent No.:** **US D632,964 S**

(45) **Date of Patent:** **\*\* Feb. 22, 2011**

(54) **CONTAINER**

(75) Inventors: **Sunil S. Shah**, York, PA (US); **Sheldon E. Yourist**, York, PA (US); **April M. Peacock**, York, PA (US); **Benton A. Lewis**, Manchester, PA (US)

(73) Assignee: **Graham Packaging Company, L.P.**, York, PA (US)

(\*\*) Term: **14 Years**

(21) Appl. No.: **29/339,114**

(22) Filed: **Jun. 24, 2009**

(51) **LOC (9) Cl.** ..... **09-01**

(52) **U.S. Cl.** ..... **D9/538; D9/540; D9/551; D9/553; D9/554; D9/557**

(58) **Field of Classification Search** ..... D9/516, D9/530, 537-543, 545, 551, 553-558; 215/381-385  
See application file for complete search history.

(56) **References Cited**

**U.S. PATENT DOCUMENTS**

D199,279 S *	9/1964	Koenigsberg	.....	D9/550 X
4,805,788 A	2/1989	Akiho		
4,818,575 A	4/1989	Hirata et al.		
4,946,053 A	8/1990	Conrad		
5,067,622 A	11/1991	Garver et al.		
5,178,290 A	1/1993	Ota et al.		
5,199,588 A	4/1993	Hayashi		
5,222,615 A	6/1993	Ota et al.		
5,238,129 A	8/1993	Ota		
5,310,068 A	5/1994	Saghri		
5,971,184 A *	10/1999	Krishnakumar et al.	.....	215/384
D423,936 S *	5/2000	Smith et al.	.....	D9/557 X
D428,815 S *	8/2000	Mooney et al.	.....	D9/553 X
D434,330 S *	11/2000	Rowe et al.	.....	D9/538
D443,521 S *	6/2001	Bansal et al.	.....	D9/543
D448,303 S *	9/2001	Cheng et al.	.....	D9/539

D448,674 S *	10/2001	Mooney	.....	D9/540
6,439,413 B1 *	8/2002	Prevot et al.	.....	215/381
D472,470 S *	4/2003	Bretz et al.	.....	D9/554 X
D522,870 S *	6/2006	Venkataraman et al.	.....	D9/538
D523,345 S *	6/2006	Kamineni	.....	D9/537
D538,168 S *	3/2007	Davis et al.	.....	D9/538
D545,199 S *	6/2007	MacLean	.....	D9/553 X
D547,664 S *	7/2007	Davis et al.	.....	D9/538
D591,610 S *	5/2009	Shmagin	.....	D9/551 X
D592,964 S *	5/2009	Kissinger et al.	.....	D9/540
D611,349 S *	3/2010	Shah et al.	.....	D9/516
D612,250 S *	3/2010	Shah	.....	D9/538
D613,170 S *	4/2010	Lewis et al.	.....	D9/516
2007/0090083 A1 *	4/2007	Trude	.....	215/384

\* cited by examiner

*Primary Examiner*—Carol Rademaker

(74) *Attorney, Agent, or Firm*—Knoble Yoshida & Dunleavy, LLC

(57) **CLAIM**

The ornamental design for a container, as shown and described.

**DESCRIPTION**

FIG. 1 is a top, front, and right side perspective view of a container showing our new design;

FIG. 2 is a front elevational view thereof;

FIG. 3 is a right side elevational view thereof, the left side elevational view being a mirror image;

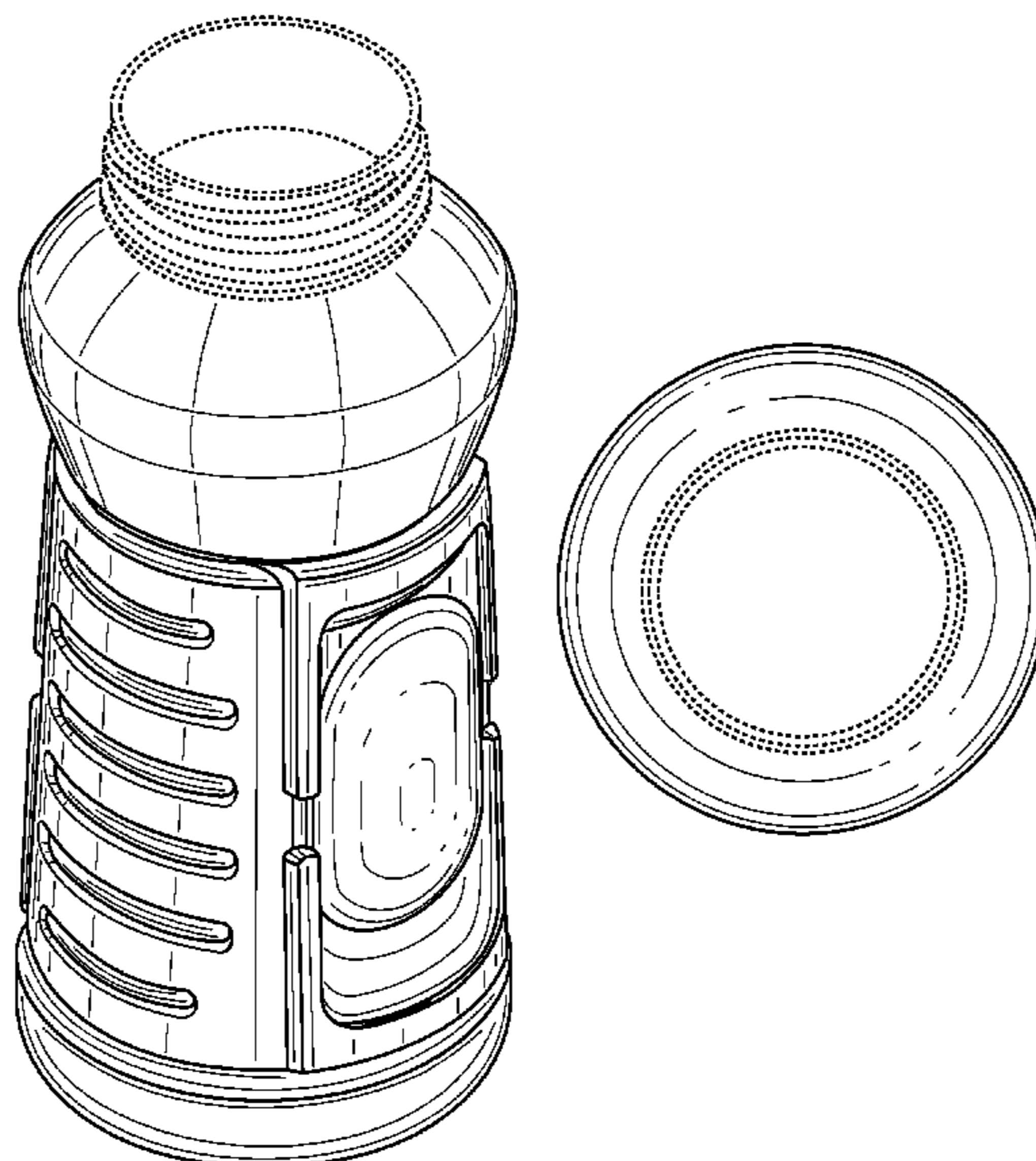
FIG. 4 is a rear elevational view thereof; and,

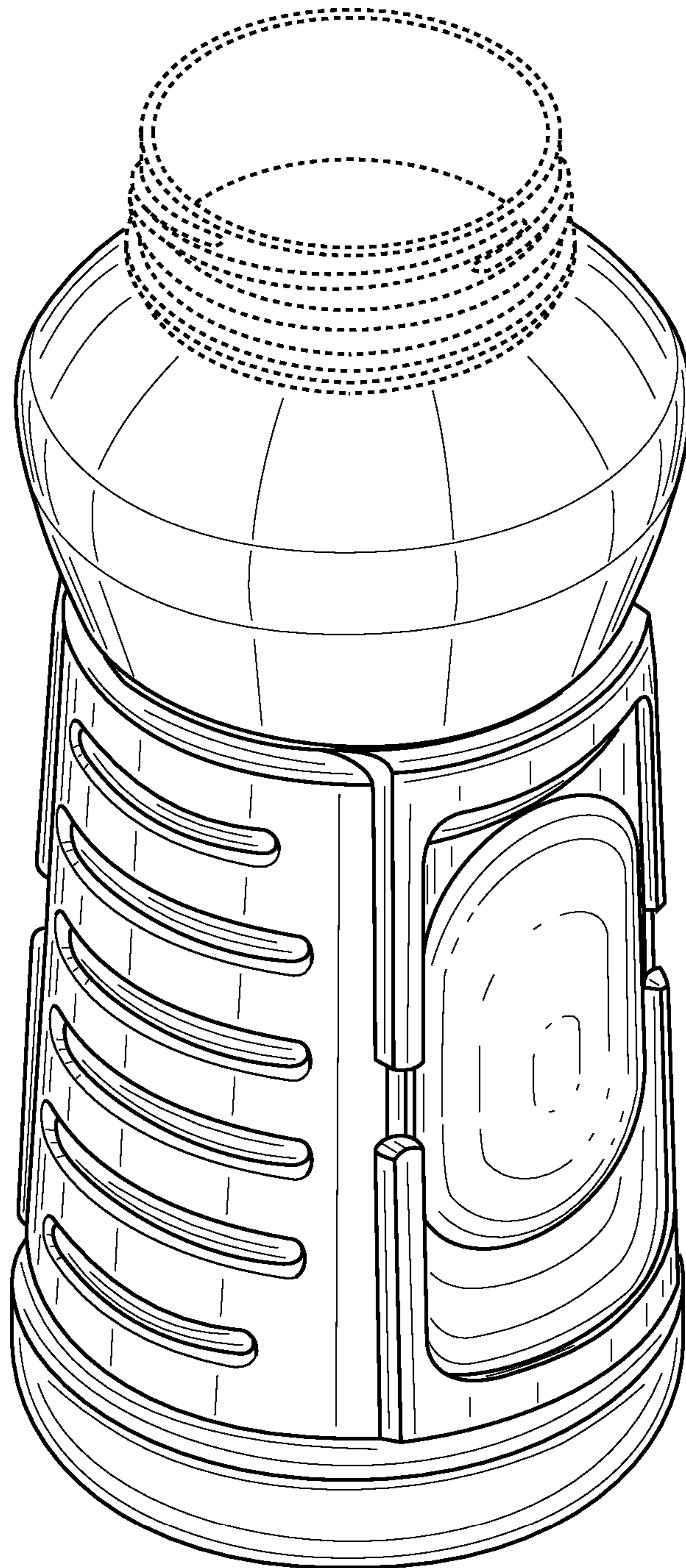
FIG. 5 is a top plan view thereof.

The broken lines in the drawings of a pour spout and threads are included for the purpose of showing environmental structure that forms no part of the claimed design.

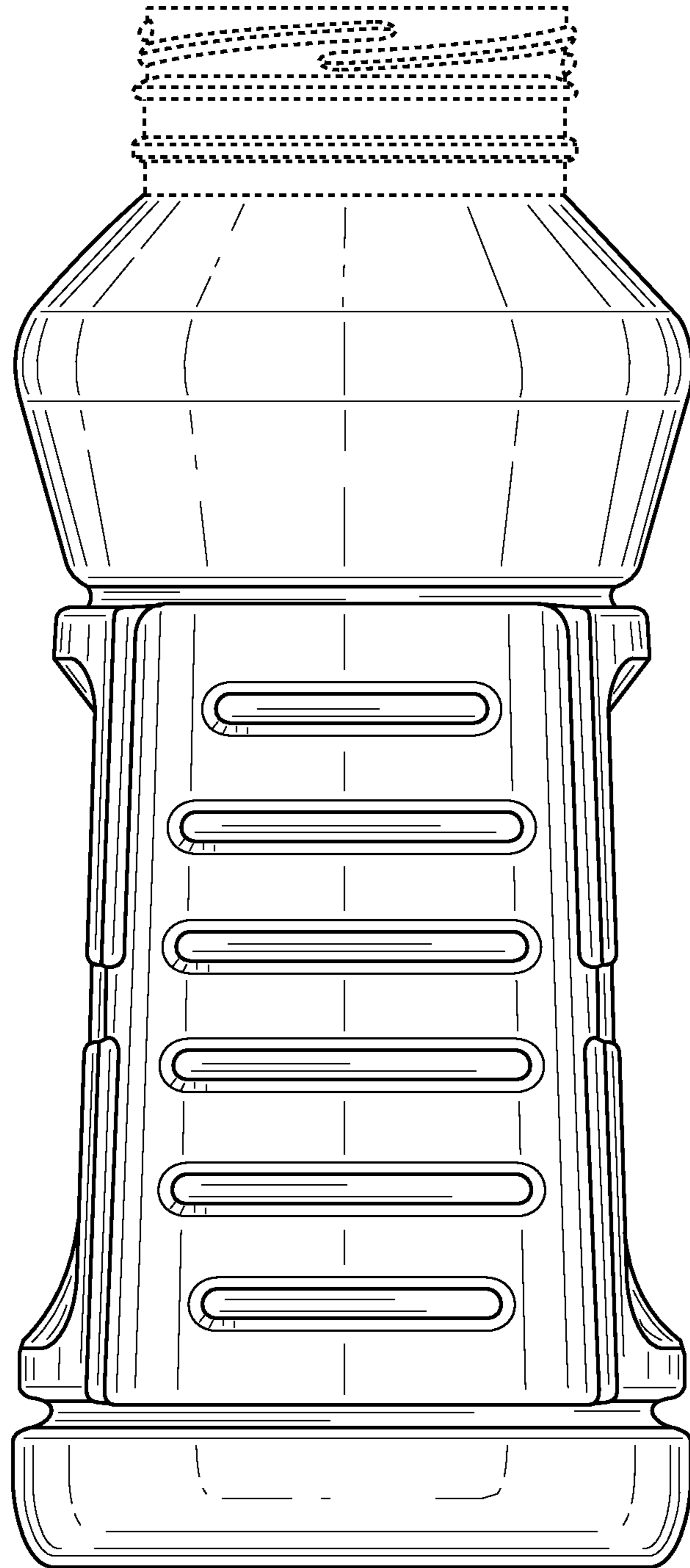
The stippled surface shown on a portion of the sidewall panel in the drawings represents a contrast in surface appearance.

**1 Claim, 5 Drawing Sheets**

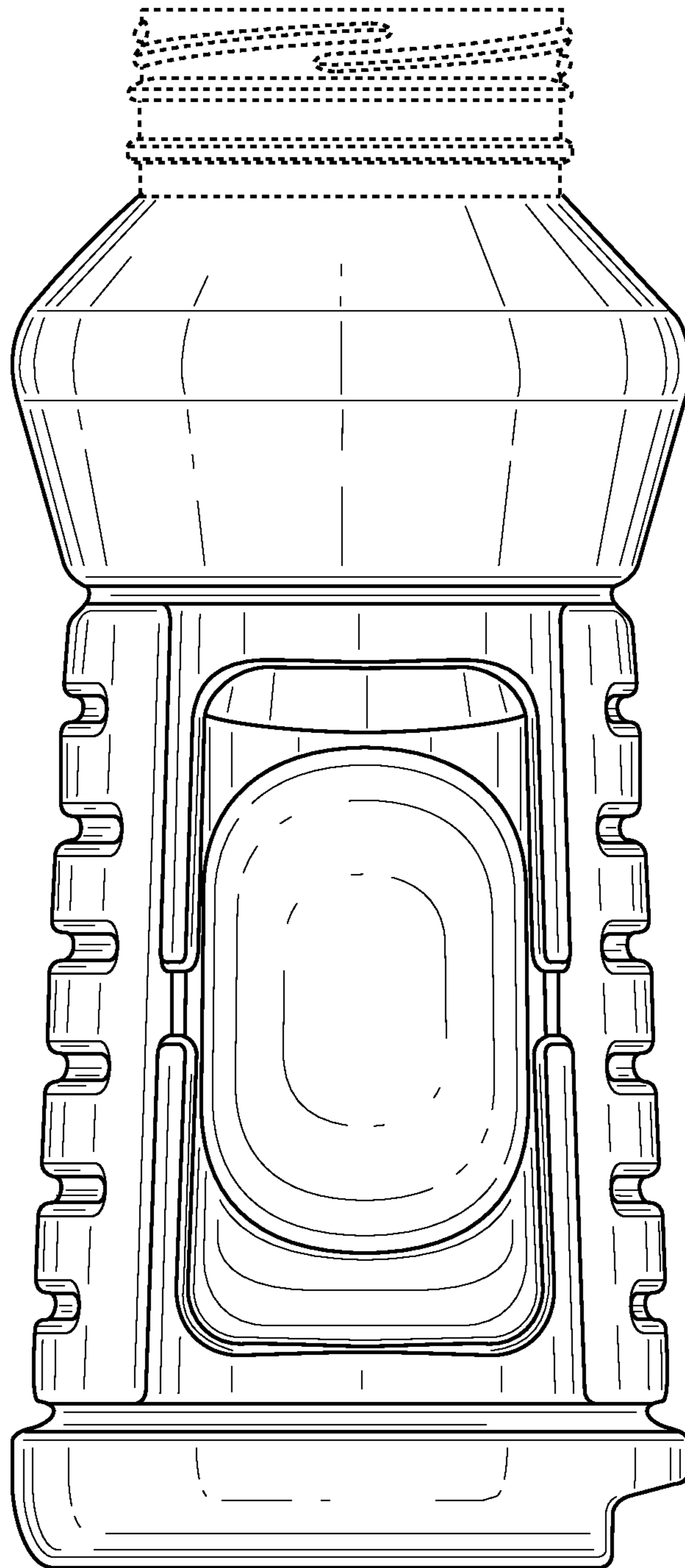




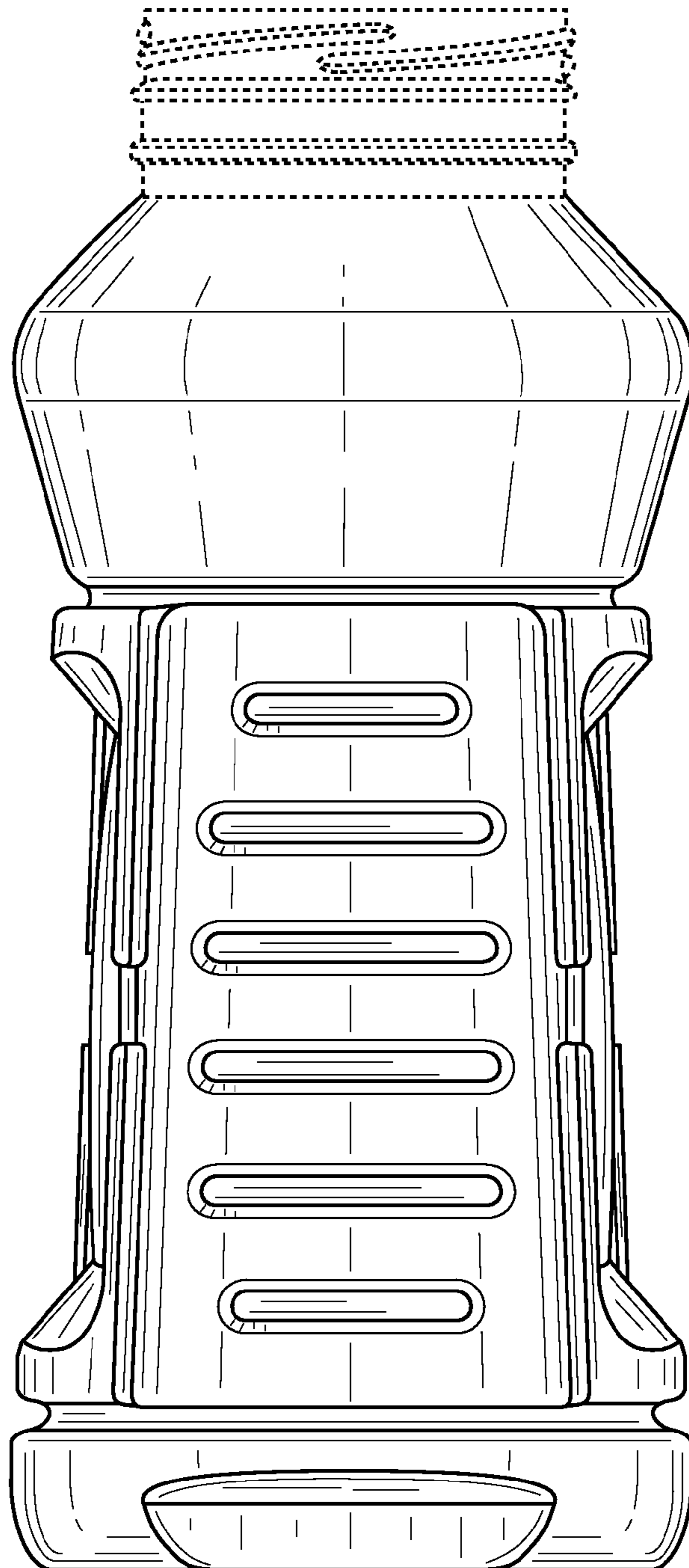
**FIG. 1**



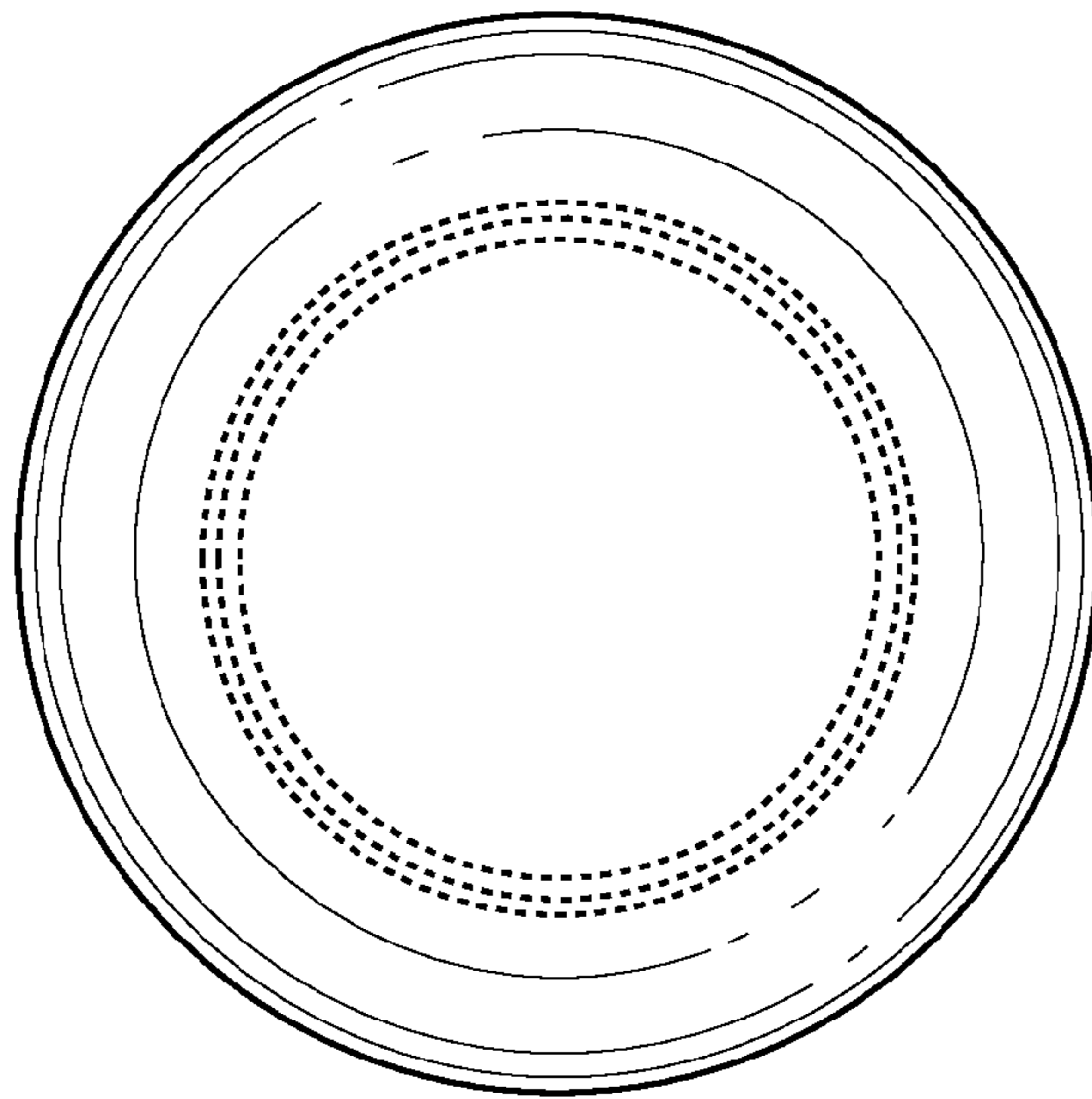
**FIG. 2**



**FIG. 3**



**FIG. 4**



**FIG. 5**