



US00D632960S

(12) **United States Design Patent**
Gilfert

(10) **Patent No.:** **US D632,960 S**

(45) **Date of Patent:** **** *Feb. 22, 2011**

(54) **BOTTLE SHIPPING TOP CAP INSERT**

Primary Examiner—Susan Bennett Hattan

(75) **Inventor:** **James W. Gilfert**, Eldred, PA (US)

(74) *Attorney, Agent, or Firm*—Duane C. Basch; Basch & Nickerson LLP

(73) **Assignee:** **FiberCel Packaging, LLC**, Portville, NY (US)

(57) **CLAIM**

(**) **Term:** **14 Years**

The ornamental design for a “bottle shipping top cap insert,” as shown and described.

(21) **Appl. No.:** **29/341,240**

(22) **Filed:** **Jul. 31, 2009**

DESCRIPTION

(51) **LOC (9) Cl.** **09-07**

(52) **U.S. Cl.** **D9/456**

(58) **Field of Classification Search** D9/761, D9/759, 756, 708, 709, 702, 456, 455, 454, D9/453, 445, 443, 436, 435, 434; 53/412; 248/146; 229/120; 222/109; 220/4.23; 219/439; 215/305; 206/529, 427; D3/304, 295
See application file for complete search history.

FIG. 1 is a perspective view of the top, front and right sides of a bottle shipping top cap insert shown in a typical use configuration;

FIG. 2 is a front elevation view of the bottle shipping top cap insert;

FIG. 3 is a right side elevation view of the bottle shipping top cap insert;

FIG. 4 is a rear elevation view of the bottle shipping top cap insert;

FIG. 5 is a left side elevation view of the bottle shipping top cap insert;

FIG. 6 is a top plan view of the bottle shipping top cap insert;

FIG. 7 is a bottom plan view of the bottle shipping top cap insert;

FIG. 8 is a perspective view of a bottle shipping top cap insert for assembly with a bottle shipping package; and,

FIG. 9 is a cutaway view of the package of FIG. 8 incorporating the bottle shipping top cap insert.

The broken-lines of FIGS. 7 through 9 depict elements of the environment. These broken line features are depicted for illustrative purposes only, and form no part of the claimed design.

(56) **References Cited**

U.S. PATENT DOCUMENTS

871,452	A	11/1907	Smith
1,367,069	A	2/1921	MacKinnon
1,917,886	A	7/1933	Hogan
1,970,582	A	8/1934	Snyder et al.
2,078,087	A	4/1937	Lincoln
2,094,054	A	9/1937	Bixby
D125,136	S	2/1941	Holmes
D152,683	S	2/1949	Erickson
2,514,651	A	7/1950	Kornfield et al.
2,570,340	A	10/1951	George
2,717,114	A	9/1955	Parnham, Jr.
2,761,553	A	9/1956	Wheeler
2,766,921	A	10/1956	Jones et al.
2,908,383	A	10/1959	Vogt

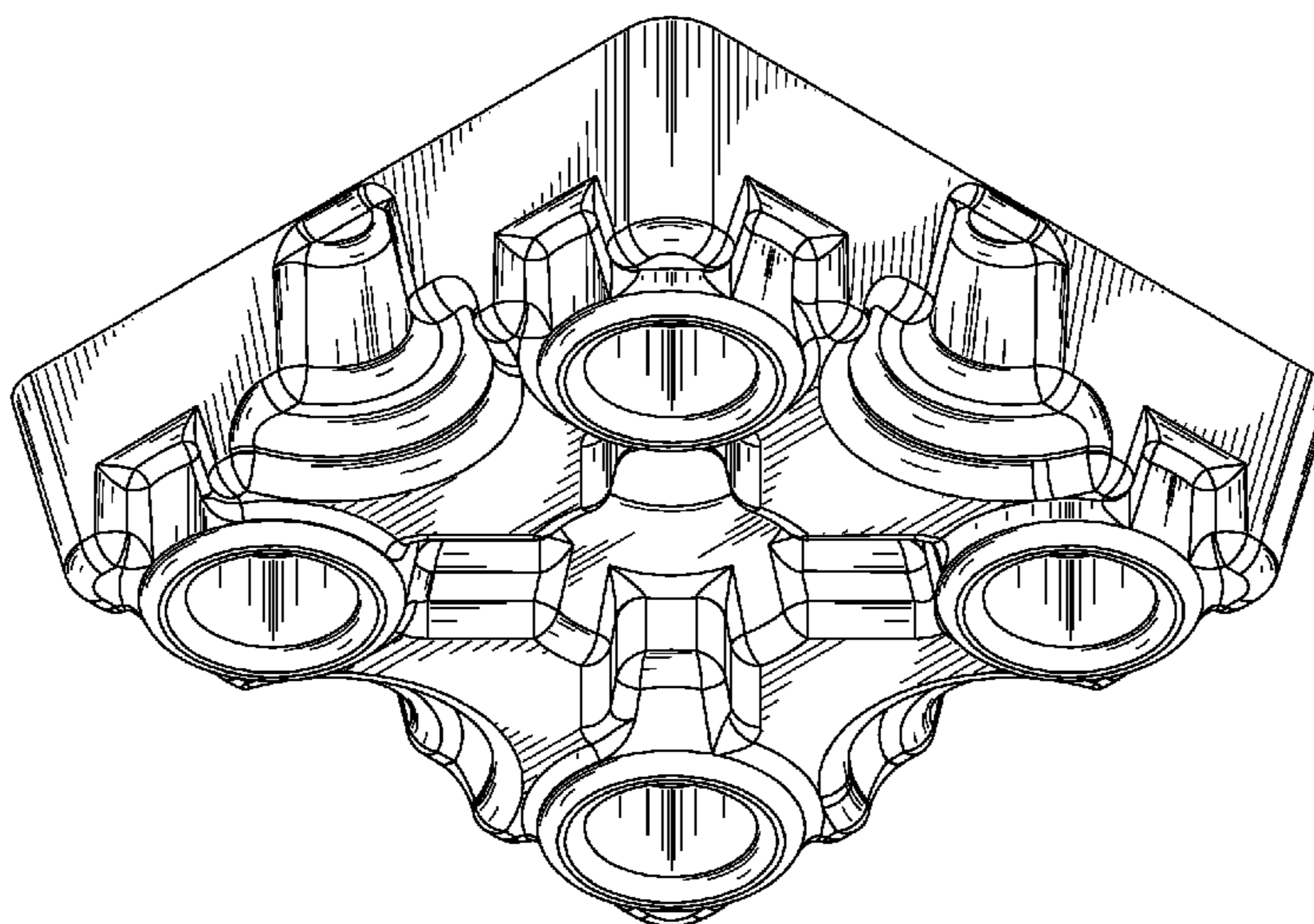
(Continued)

OTHER PUBLICATIONS

U.S. Appl. No. 29/341,241, filed Jul. 31, 2009.

(Continued)

1 Claim, 7 Drawing Sheets



US D632,960 S

Page 2

U.S. PATENT DOCUMENTS

3,391,814 A 7/1968 Box
D214,487 S 6/1969 Reichl
D219,956 S 2/1971 Clemens
D224,928 S * 10/1972 Wiley D9/456
3,982,057 A 9/1976 Briggs et al.
4,094,454 A 6/1978 Snyder
4,382,106 A 5/1983 Royster
4,567,981 A 2/1986 Headon
4,700,836 A 10/1987 Hammett
D305,729 S 1/1990 Bridel
4,911,300 A 3/1990 Colonna
5,000,372 A 3/1991 Hollander et al.
5,038,961 A 8/1991 Watanabe et al.
5,071,026 A 12/1991 Apps
D327,972 S 7/1992 Apps et al.
D331,538 S 12/1992 Fabre
5,213,211 A 5/1993 Umiker
5,377,862 A 1/1995 Oakes et al.
D356,950 S 4/1995 Apps et al.
5,429,264 A 7/1995 Hollander et al.
D361,513 S * 8/1995 Adami et al. D9/455
5,492,267 A 2/1996 Hollander et al.
5,669,500 A 9/1997 Sutherland
5,785,239 A 7/1998 Campbell et al.
D400,012 S 10/1998 Apps
6,021,913 A 2/2000 McGrath
D441,516 S * 5/2001 Wheaton D9/455
6,237,758 B1 5/2001 Hsu
D445,253 S 7/2001 Hammett
6,290,057 B1 9/2001 Hurley

D461,054 S 8/2002 Hammett
D461,715 S 8/2002 Hamada et al.
D461,957 S 8/2002 Hammett
6,530,476 B1 3/2003 Overholt
6,536,654 B2 3/2003 Reynolds et al.
6,736,289 B2 5/2004 Cook et al.
6,820,743 B2 11/2004 Hurley et al.
D518,720 S 4/2006 Gratz
D524,651 S 7/2006 Perret
D529,401 S 10/2006 Aoki
D535,881 S 1/2007 Liukko
D540,711 S 4/2007 Howard et al.
D561,025 S 2/2008 Gilfert
D561,588 S 2/2008 Gilfert
D567,672 S 4/2008 Sheu
D588,934 S 3/2009 Bailey et al.
D590,715 S * 4/2009 Gilfert D9/456
2003/0070951 A1 4/2003 Hurley et al.
2005/0189243 A1 9/2005 Manabe et al.
2006/0243784 A1 11/2006 Glaser
2008/0302691 A1 * 12/2008 Olson et al. 206/427

OTHER PUBLICATIONS

File wrapper of US Design Patent D561,588.
File wrapper of US Design Patent D590,715.
File wrapper of US Design Patent D561,025.
File wrapper of U.S. Appl. No. 12/025,419.
The prosecution history of U.S. Appl. No. 12/025,419 as of Nov. 22, 2010.

* cited by examiner

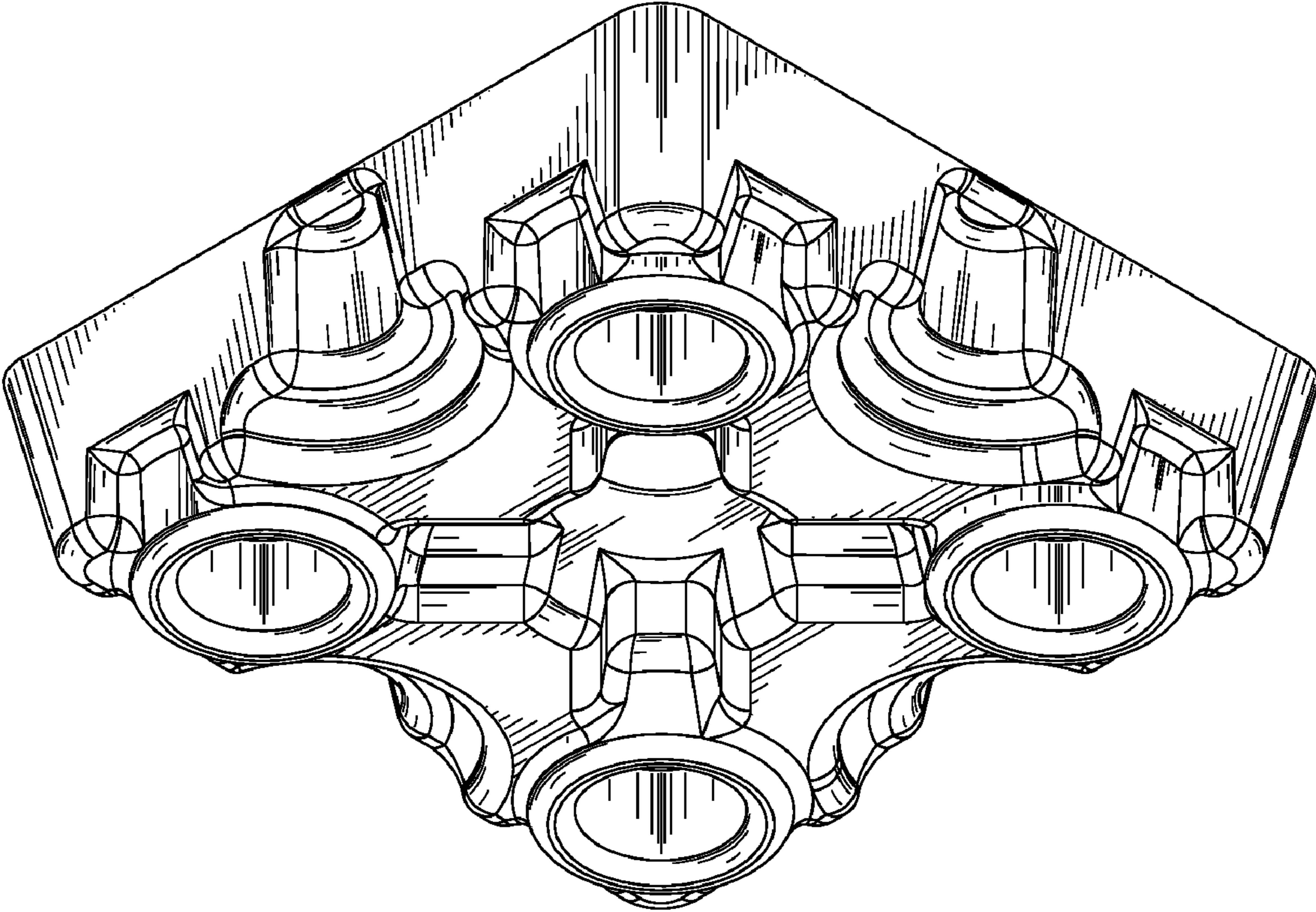


FIG. 1

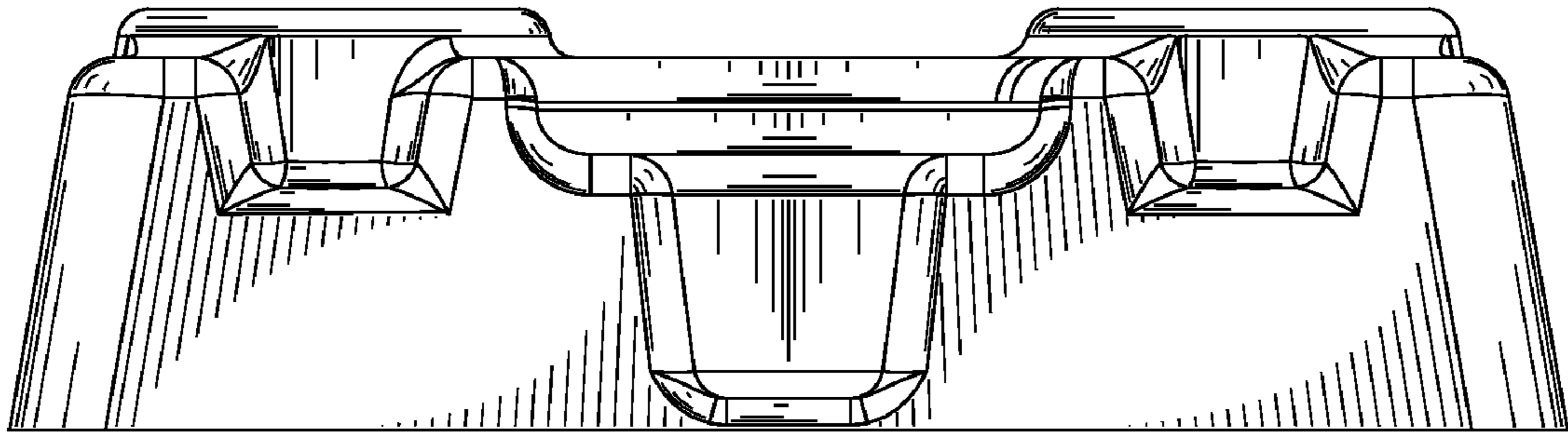


FIG. 2

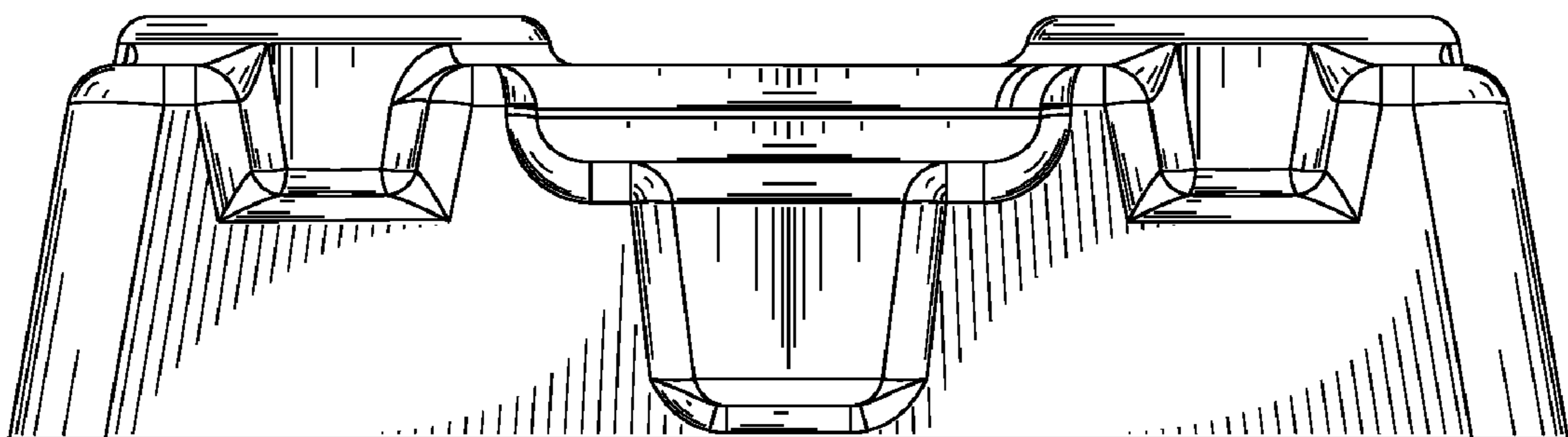


FIG. 3

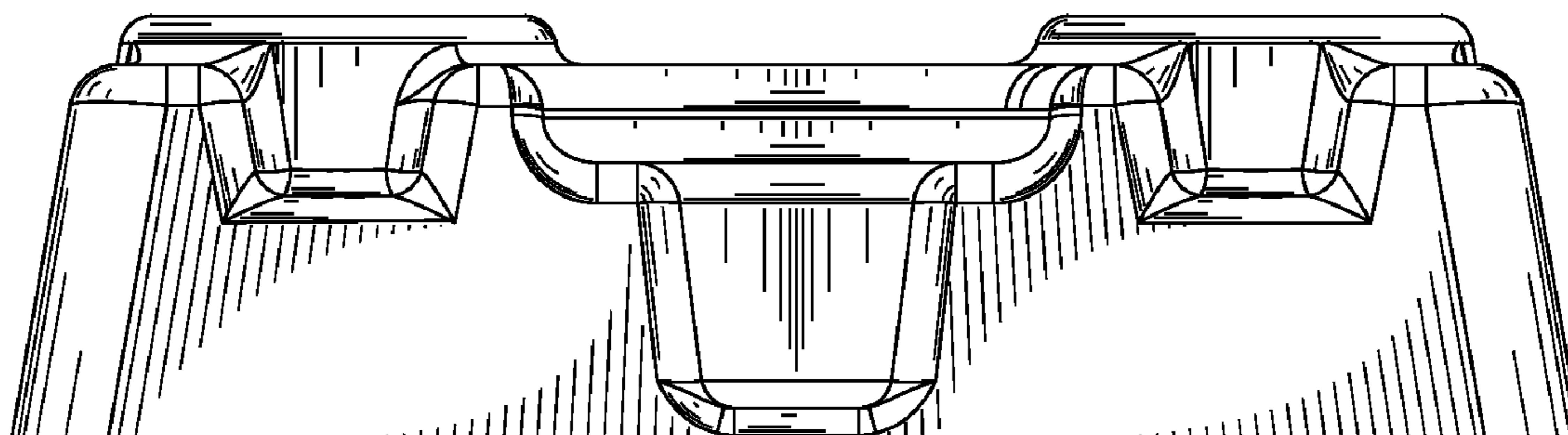


FIG. 4

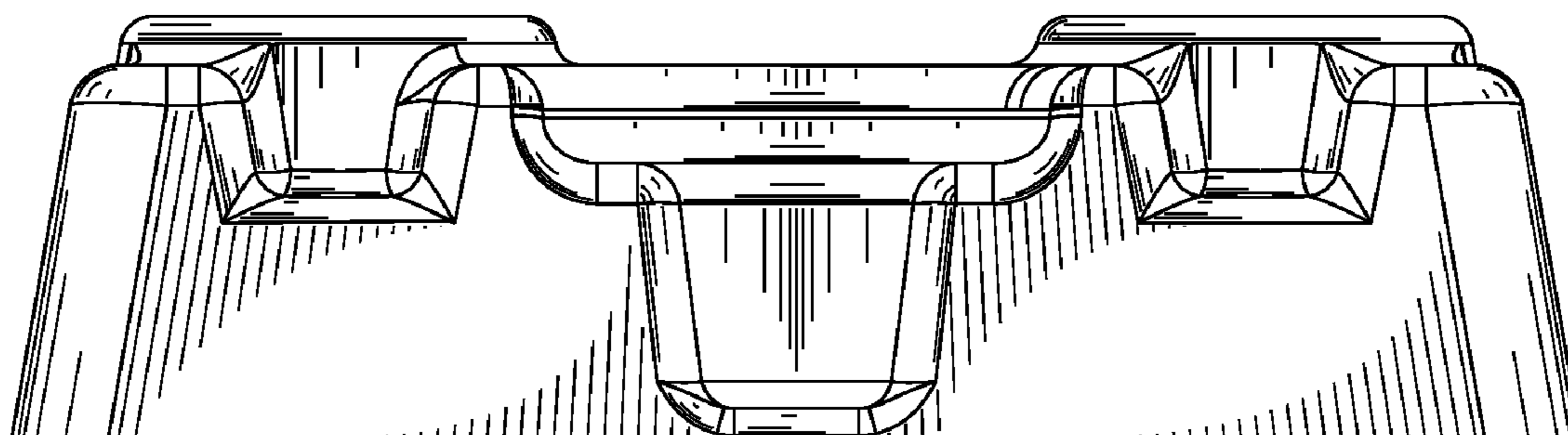


FIG. 5

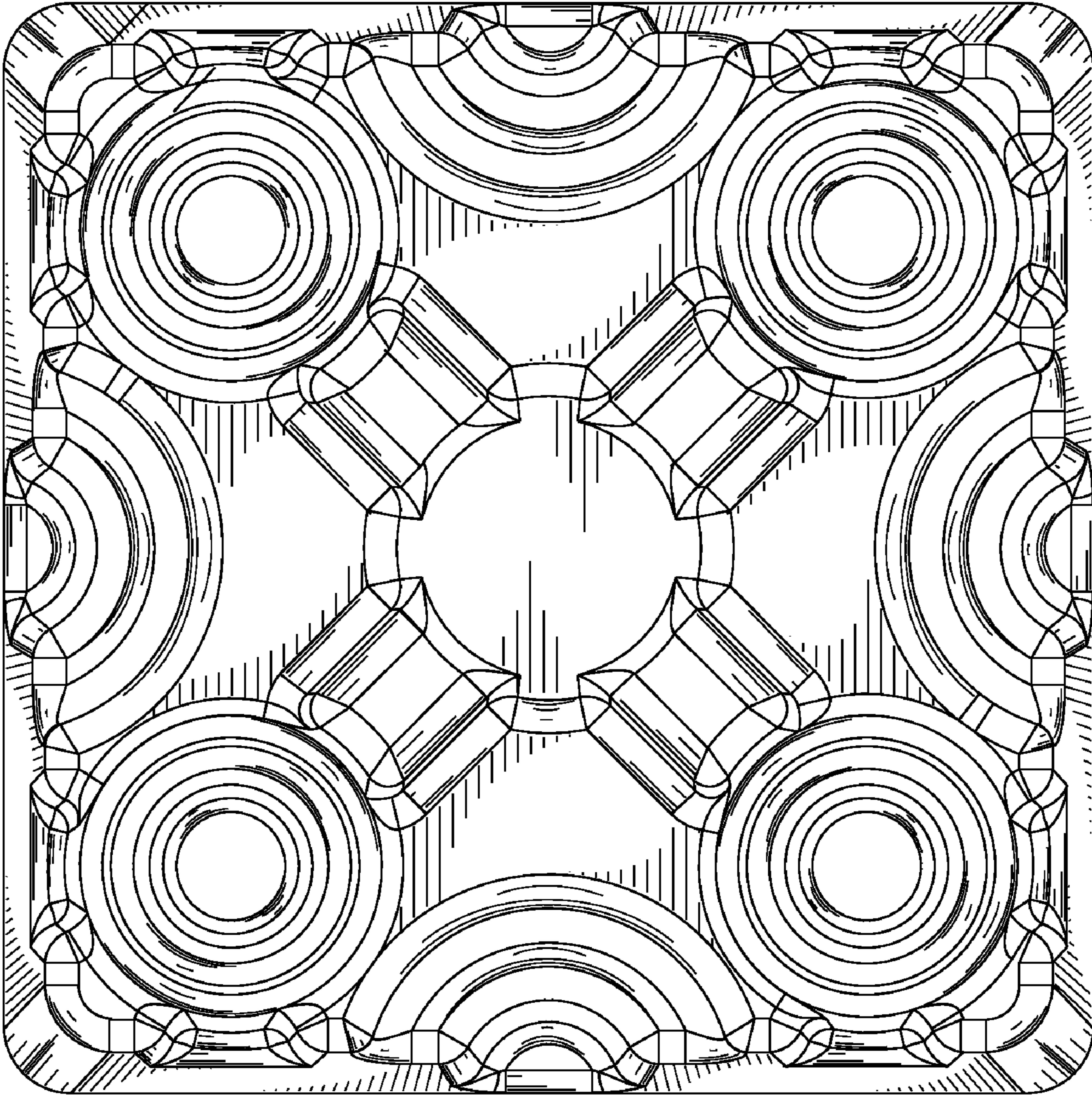


FIG. 6

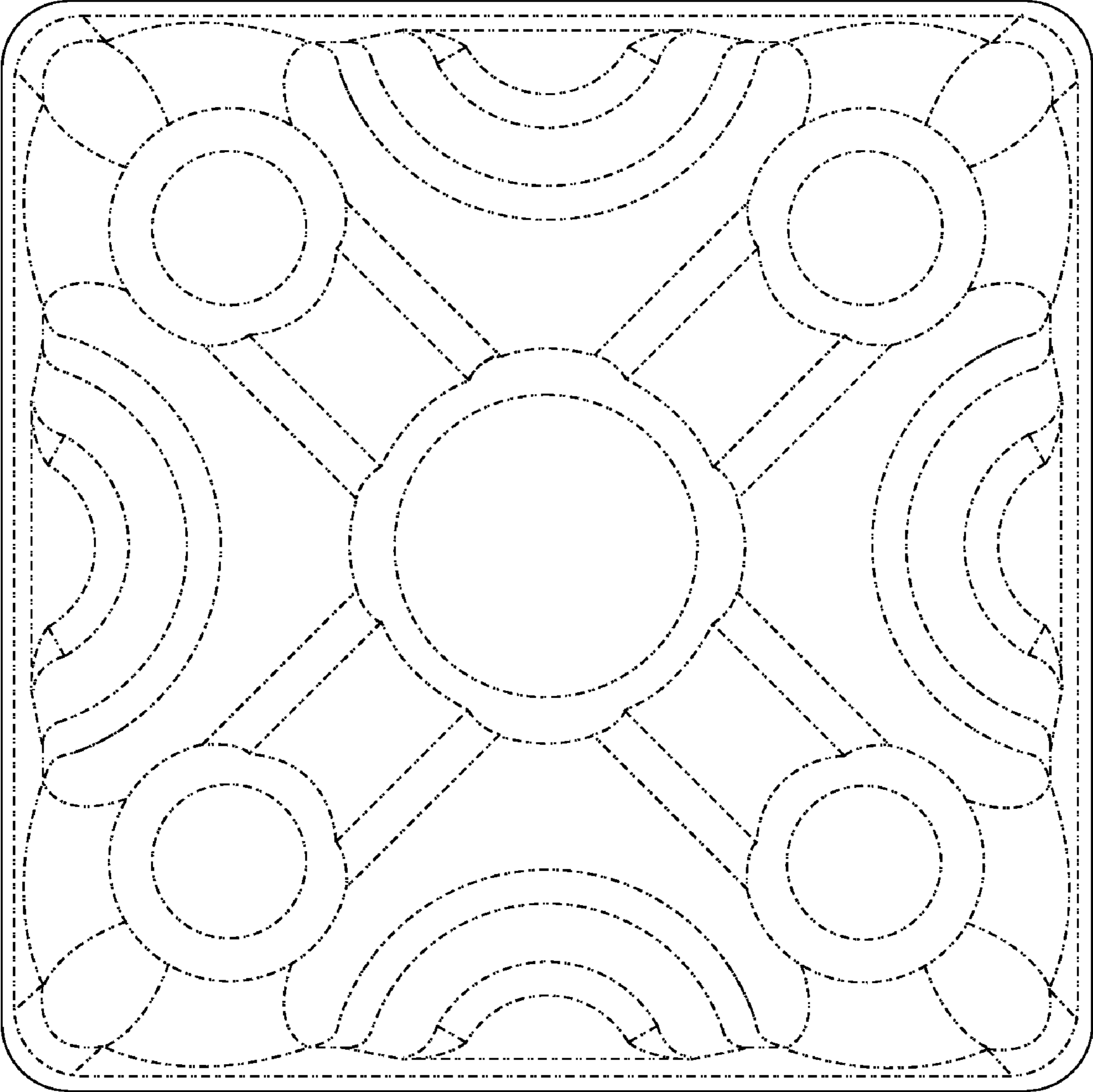


FIG. 7

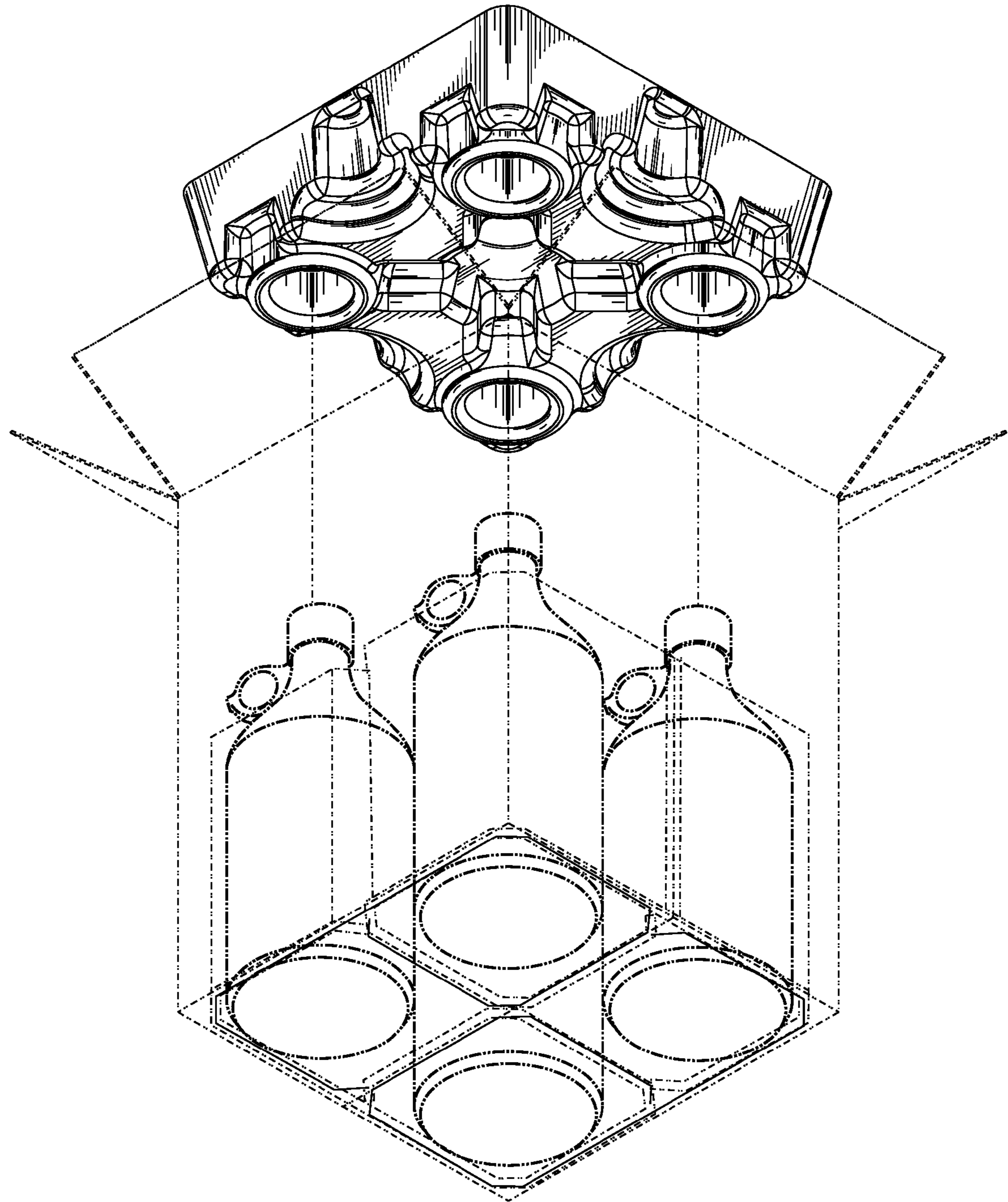


FIG. 8

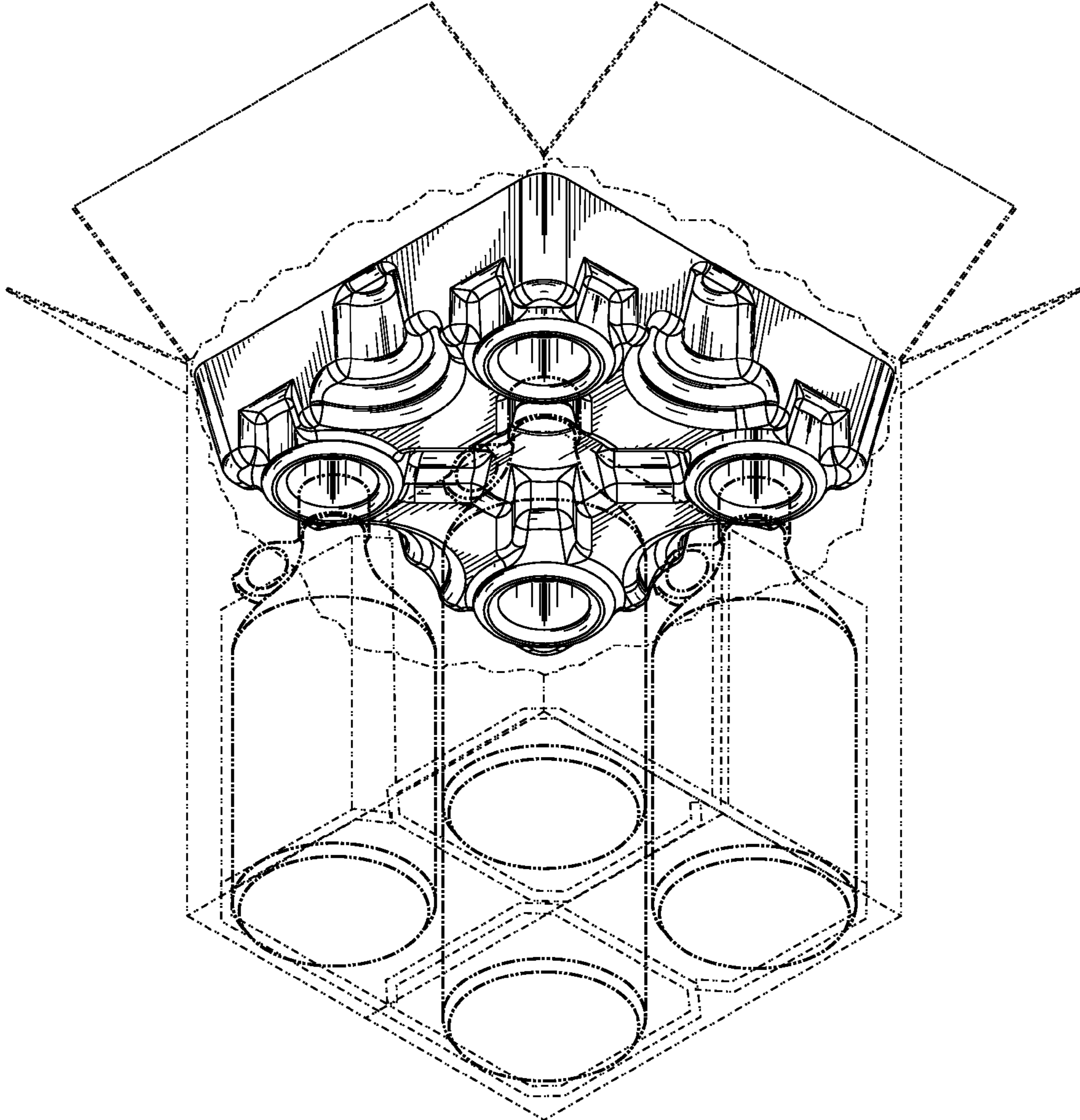


FIG. 9