



US00D632954S

(12) **United States Design Patent**
Fitzpatrick et al.

(10) **Patent No.:** **US D632,954 S**

(45) **Date of Patent:** **** Feb. 22, 2011**

(54) **SNAP CLIP FOR A SLING**

(75) Inventors: **Richard Fitzpatrick**, Longmont, CO (US); **Michael T. Mayberry**, Denver, CO (US); **Eric Christopher Burt**, Broomfield, CO (US)

(73) Assignee: **Magpul Industries Corporation**, Boulder, CO (US)

(**) Term: **14 Years**

(21) Appl. No.: **29/354,000**

(22) Filed: **Jan. 18, 2010**

(51) **LOC (9) Cl.** **08-08**

(52) **U.S. Cl.** **D8/395**

(58) **Field of Classification Search** D8/394-396,
D8/72, 367, 373; D19/56, 65, 86; 24/67.3,
24/265 R; D32/60-64; D28/40; 42/85;
224/150; D22/108

See application file for complete search history.

(56) **References Cited**

U.S. PATENT DOCUMENTS

D212,444 S *	10/1968	Coon	D8/72
D251,345 S *	3/1979	Bigelow et al.	D6/328
D277,534 S *	2/1985	Warmath	D6/328
5,402,558 A *	4/1995	Santapa	24/511
6,178,600 B1 *	1/2001	French	24/2.5
D477,364 S *	7/2003	Tsai	D19/65
D550,551 S *	9/2007	Howard	D8/395

D604,154 S *	11/2009	Allsopp	D8/395
7,654,028 B1 *	2/2010	Grover	42/85
2010/0199541 A1 *	8/2010	Vest et al.	42/85

* cited by examiner

Primary Examiner—Celia A Murphy

Assistant Examiner—John Windmuller

(74) *Attorney, Agent, or Firm*—Swanson & Bratschun, L.L.C.

(57) **CLAIM**

The ornamental design for a snap clip for a sling, as shown and described.

DESCRIPTION

FIG. 1 is a bottom, right, front perspective view of a snap clip for a sling showing our new design;

FIG. 2 is a top plan view of the snap clip of FIG. 1;

FIG. 3 is a bottom plan view of the snap clip of FIG. 1;

FIG. 4 is a front elevation view of the snap clip of FIG. 1;

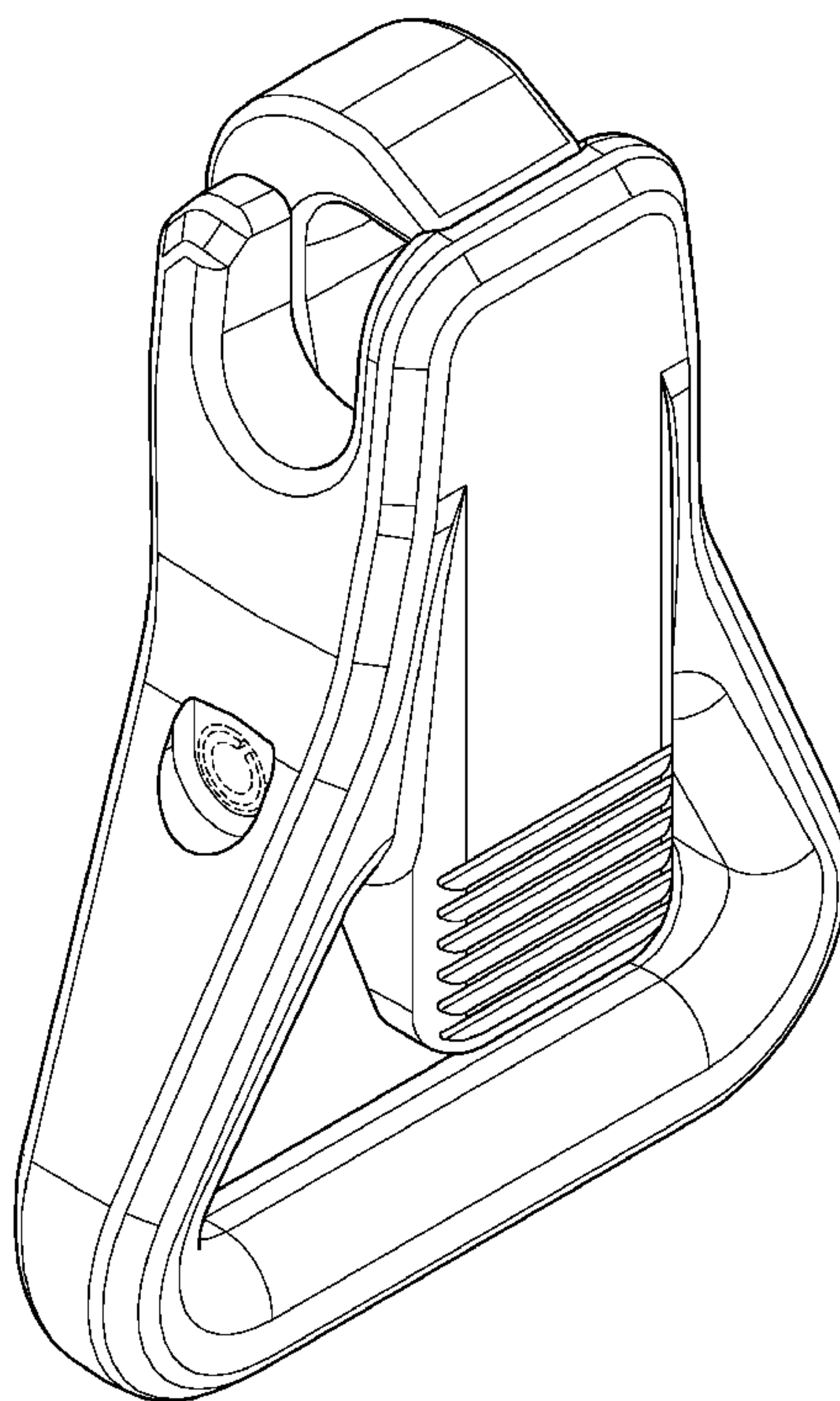
FIG. 5 is a rear elevation view of the snap clip of FIG. 1;

FIG. 6 is a left side elevation view of the snap clip of FIG. 1; and,

FIG. 7 is a right side elevation view of the snap clip of FIG. 1.

The broken lines showing portions of the design in all figures is included for the purpose of illustrating environment and forms not part of the claimed design.

1 Claim, 5 Drawing Sheets



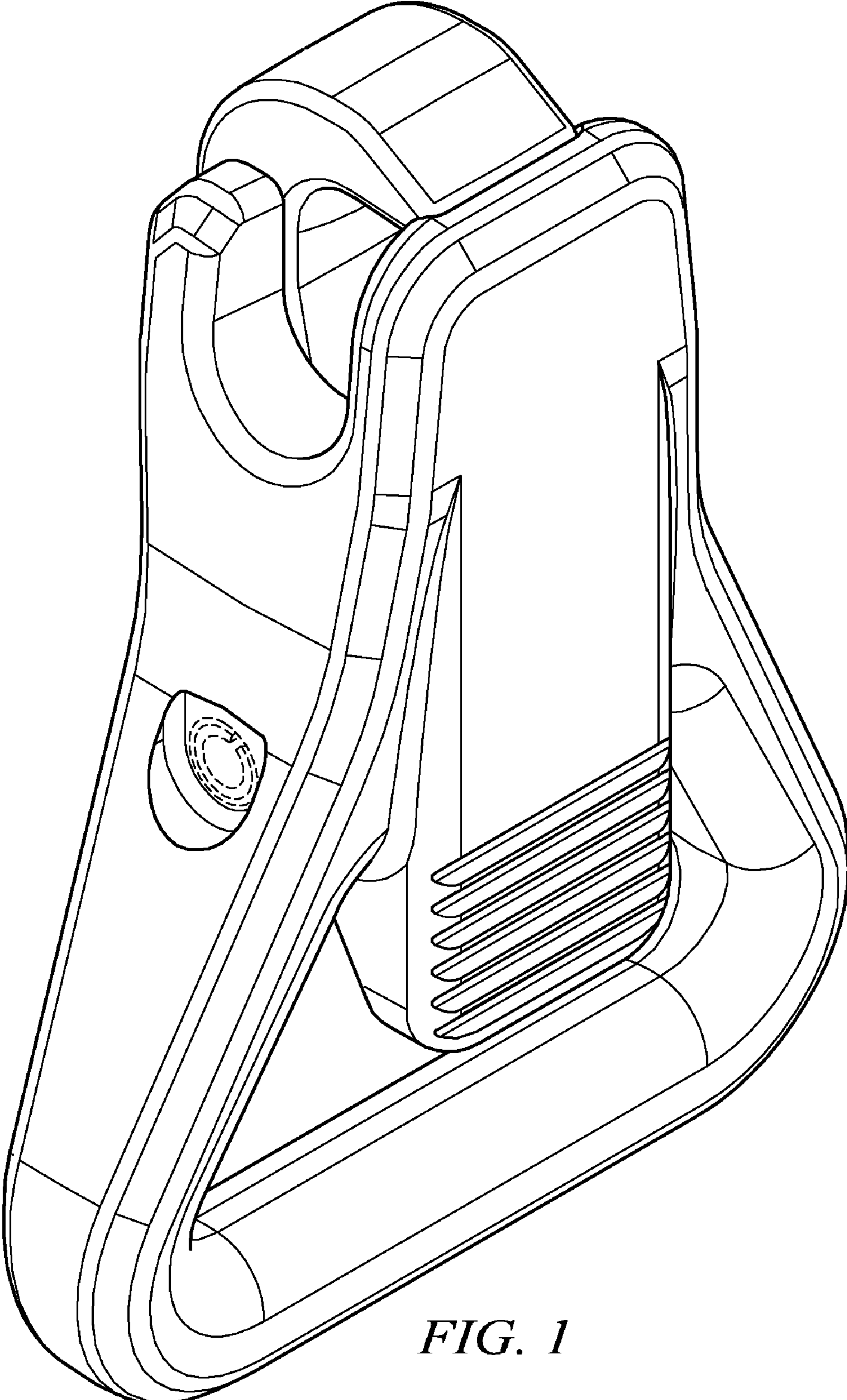


FIG. 1

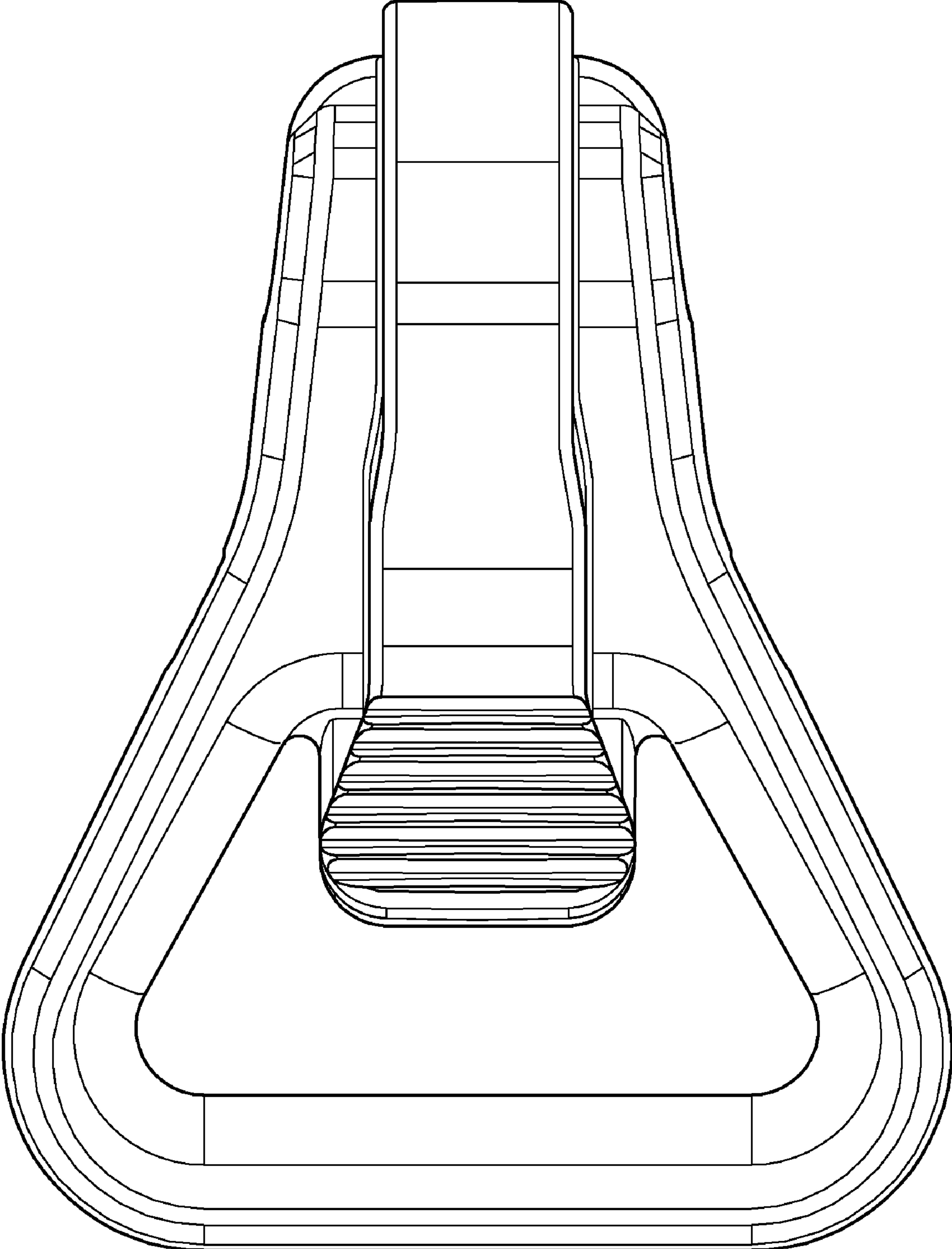


FIG. 2

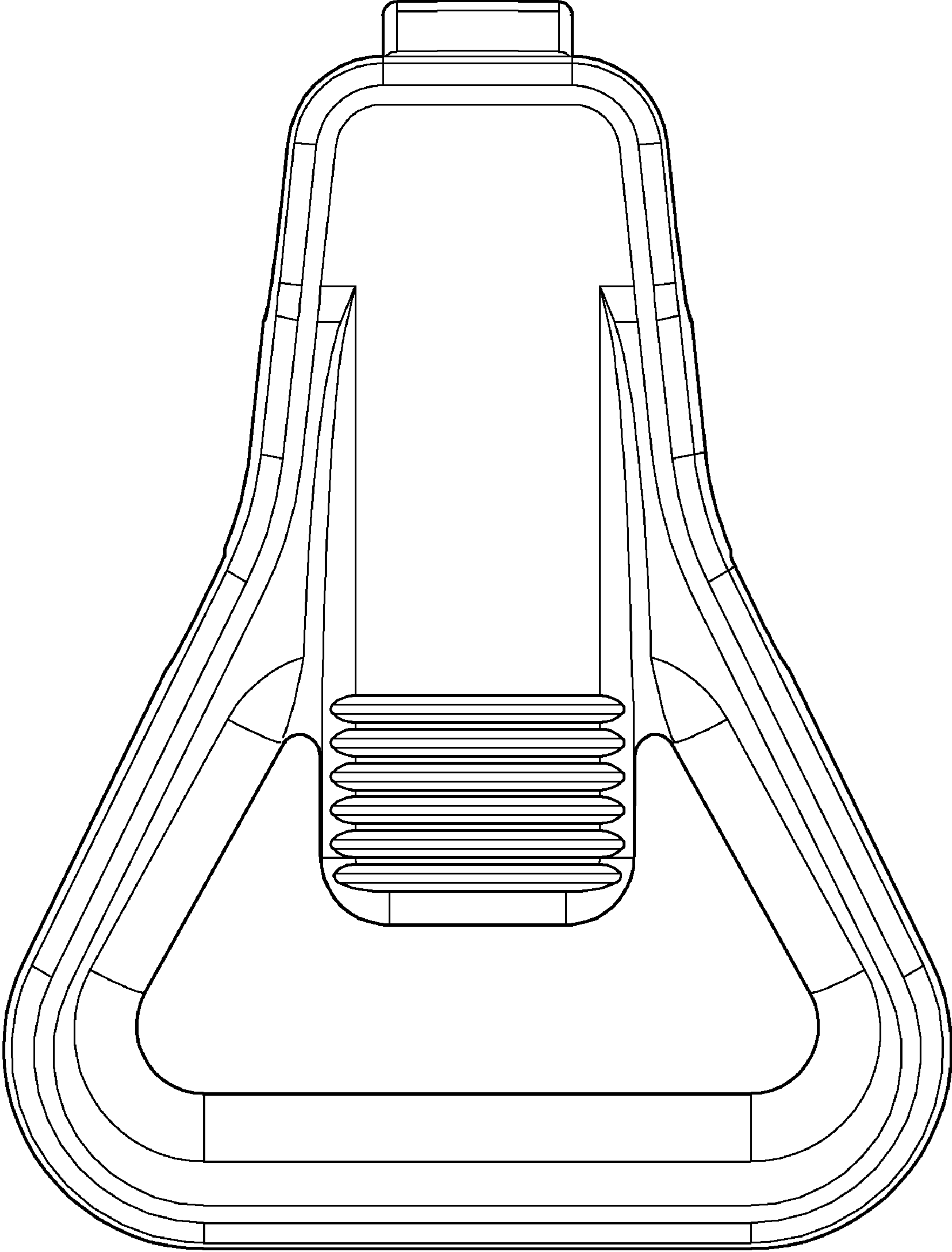


FIG. 3

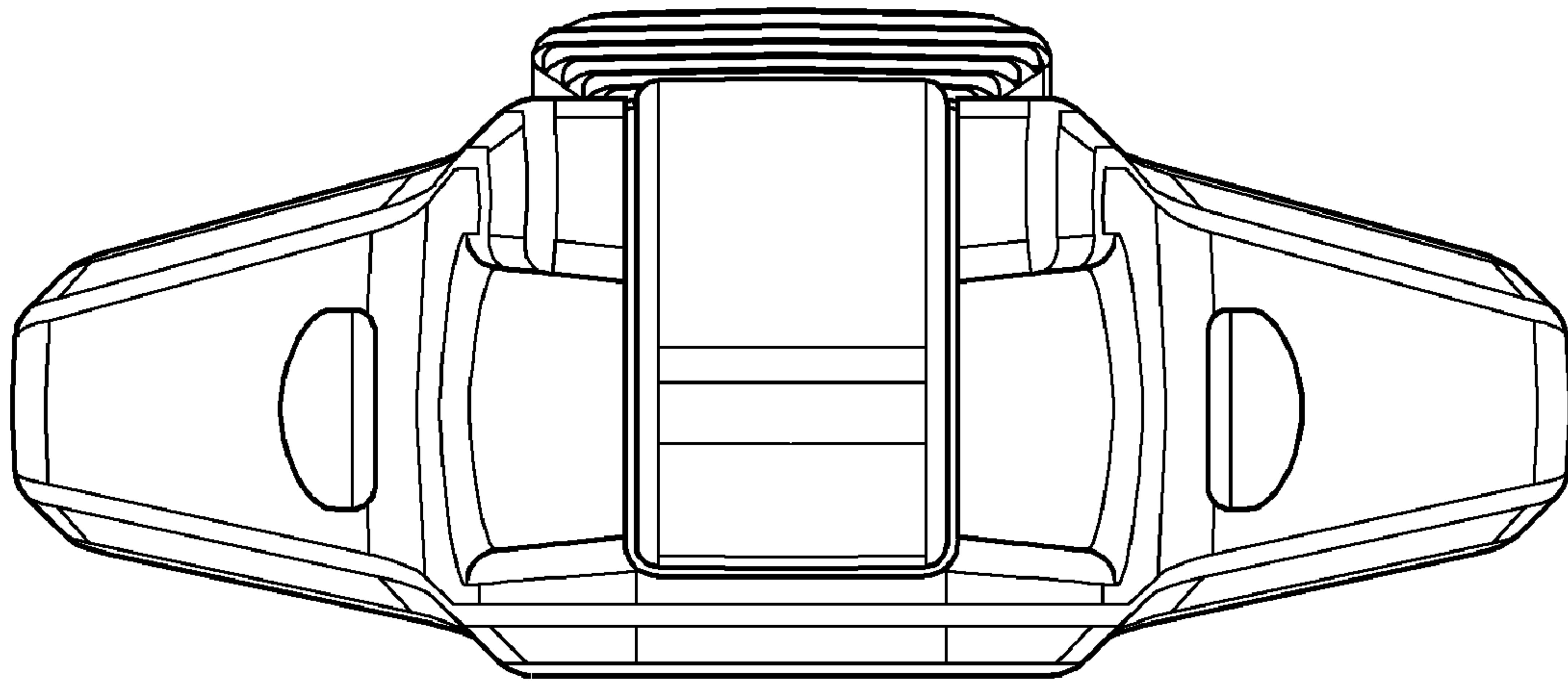


FIG. 4

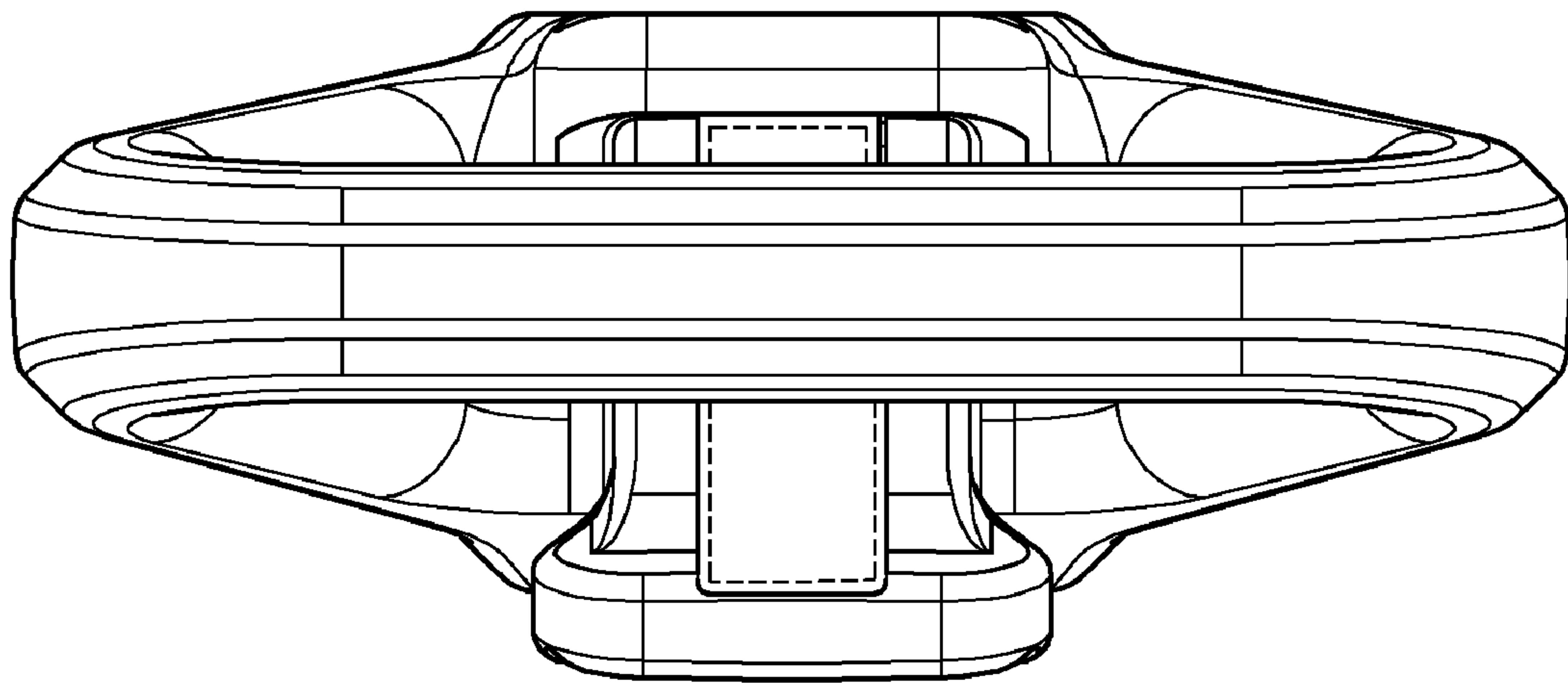


FIG. 5

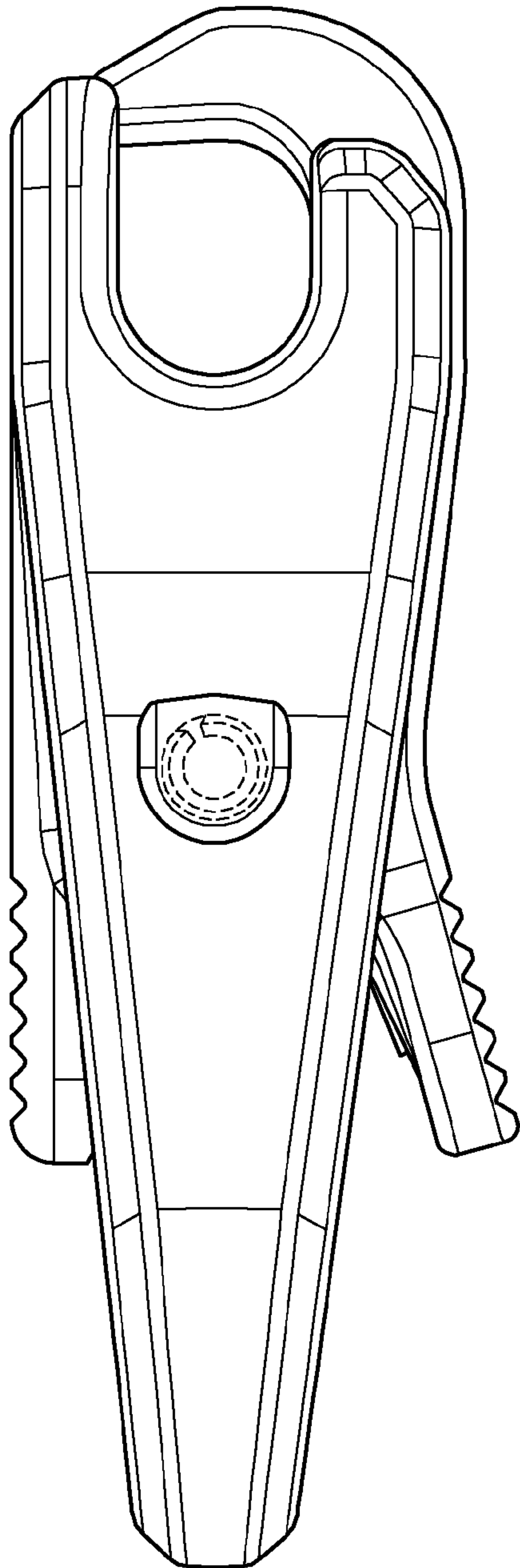


FIG. 6

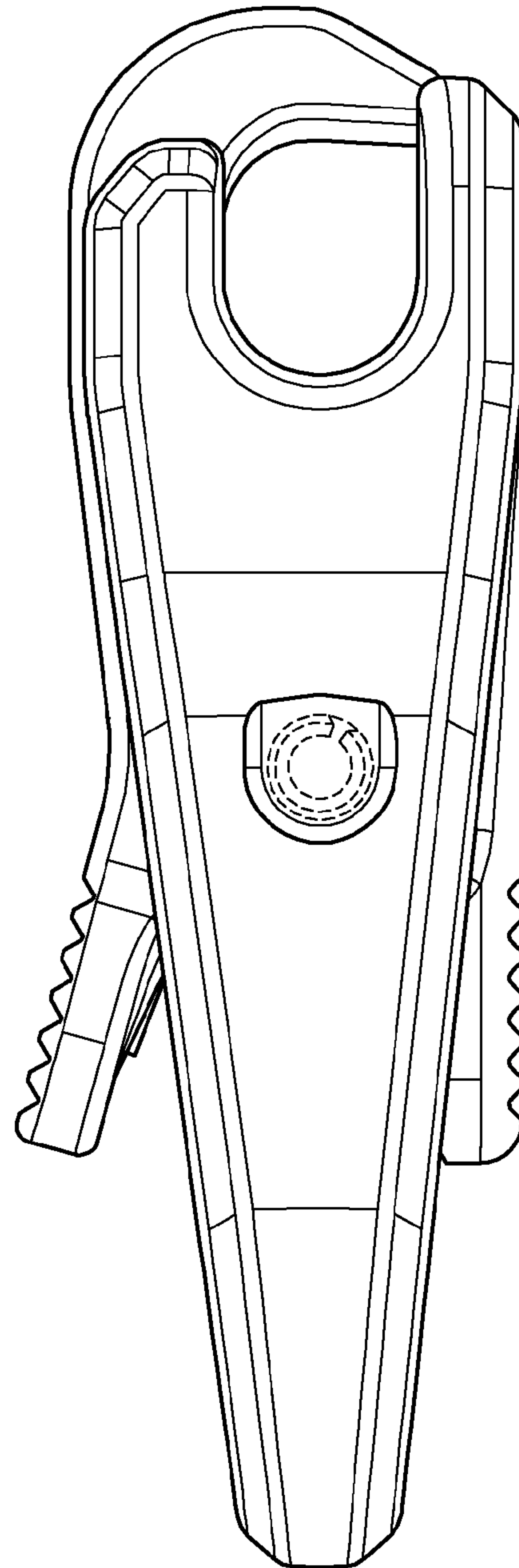


FIG. 7