



US00D632949S

(12) **United States Design Patent**
Rowley

(10) **Patent No.:** **US D632,949 S**

(45) **Date of Patent:** **** Feb. 22, 2011**

(54) **GROMMET**

(75) Inventor: **John Rowley**, Gastonia, NC (US)

(73) Assignee: **Rowley Company, LLC**, Gastonia, NC (US)

(**) Term: **14 Years**

(21) Appl. No.: **29/365,842**

(22) Filed: **Jul. 15, 2010**

(51) **LOC (9) Cl.** **08-05**

(52) **U.S. Cl.** **D8/356**

(58) **Field of Classification Search** D8/353-356,
D8/349; D13/155; 353/13; 52/144; 16/2.1,
16/2.2; 174/153 G, 135, 72 A, 152 G; 248/49,
248/68.1, 544; 5/503.1; 138/106

See application file for complete search history.

(56) **References Cited**

U.S. PATENT DOCUMENTS

139,230 A *	5/1873	Bell	403/210
713,537 A *	11/1902	Treadwell	403/282
D172,741 S *	8/1954	Cooper	D8/367
2,813,692 A *	11/1957	Peterson et al.	248/56
D249,326 S *	9/1978	Johanson	D8/367
4,230,171 A	10/1980	Baker, Sr.	
D269,410 S *	6/1983	Johansson	D8/367
D269,411 S *	6/1983	Johansson	D8/367
5,144,777 A	9/1992	Fishel et al.	
D339,814 S *	9/1993	Pepper	D15/139
D364,084 S *	11/1995	Yaich	D8/356
D550,545 S *	9/2007	Ernst et al.	D8/373
D563,206 S *	3/2008	Bakker et al.	D8/356
D598,919 S *	8/2009	Takemasa et al.	D14/432

2010/0253919 A1* 10/2010 Douglas 353/13

OTHER PUBLICATIONS

Stimpson Co. Inc. catalog, "Designer's Fastener and Stamping Catalog," No. 100, 1987, Hangers and Hooks p. 21.

* cited by examiner

Primary Examiner—Cynthia Underwood

(74) *Attorney, Agent, or Firm*—Nexsen Pruet, LLC; Sara Centioni Kanos

(57) **CLAIM**

I claim the ornamental design for a grommet, as shown and described.

DESCRIPTION

FIG. 1 illustrates a front perspective view of a grommet according to the present invention;

FIG. 2 illustrates a rear perspective view of a grommet according to the present invention;

FIG. 3 illustrates a front elevation view of a grommet according to the present invention;

FIG. 4 illustrates a left side elevation view of a grommet according to the present invention;

FIG. 5 illustrates a right side elevation view of a grommet according to the present invention;

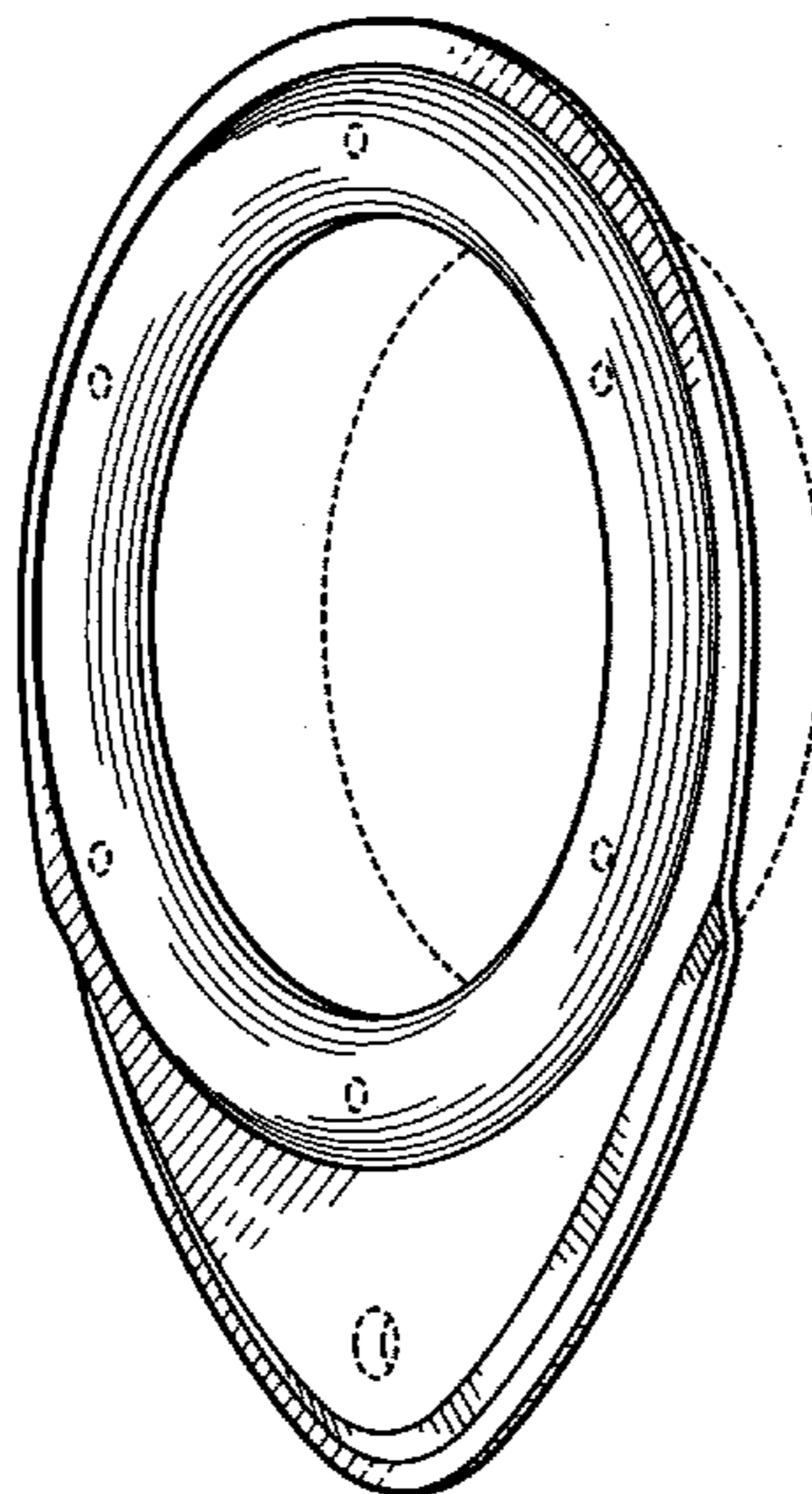
FIG. 6 illustrates a rear elevation view of a grommet according to the present invention;

FIG. 7 illustrates a top view of the grommet according to the present invention; and,

FIG. 8 illustrates a bottom view of the grommet according to the present invention.

The broken lines are included for illustrative purposes only and form no part of the claimed design.

1 Claim, 3 Drawing Sheets



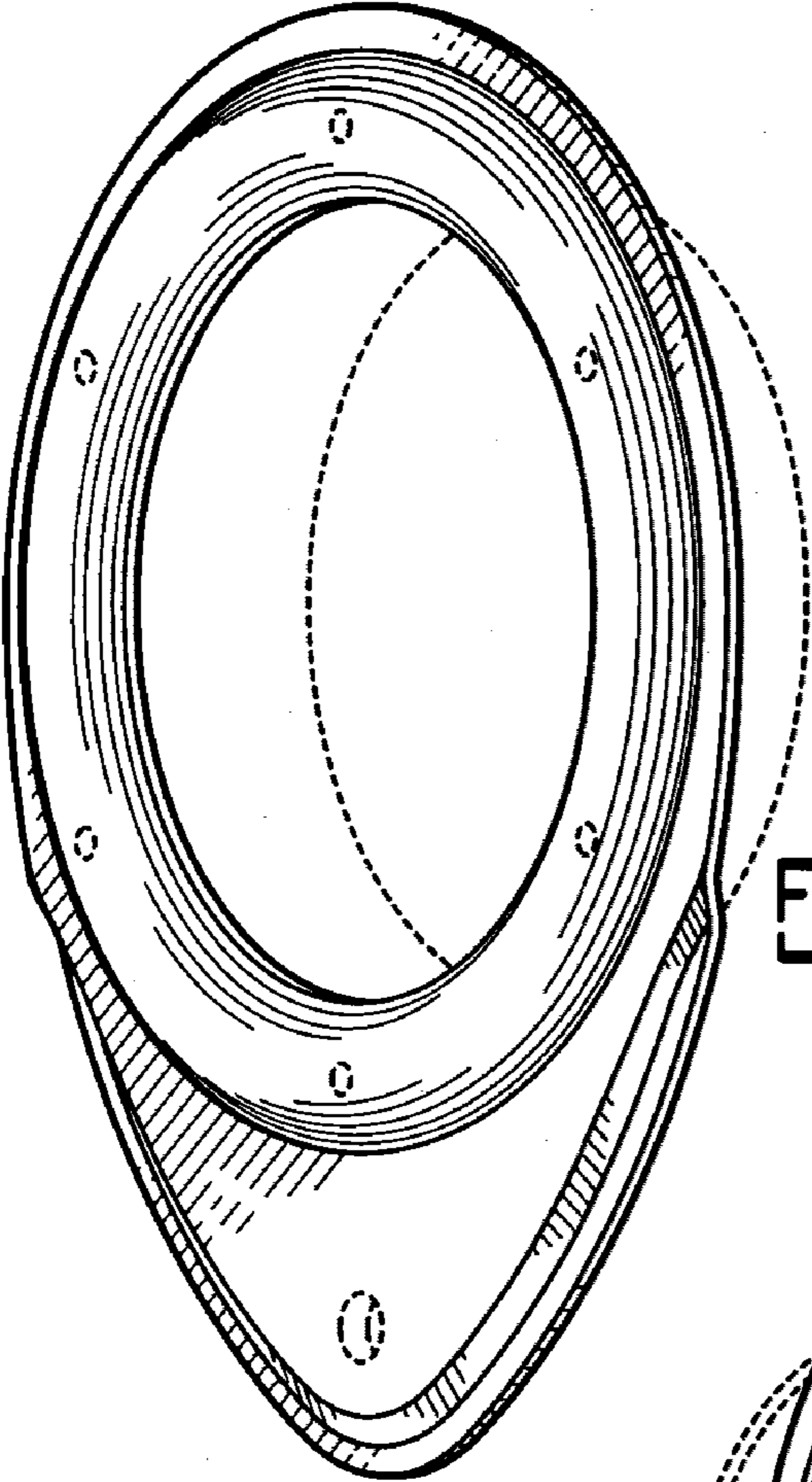


FIG. 1

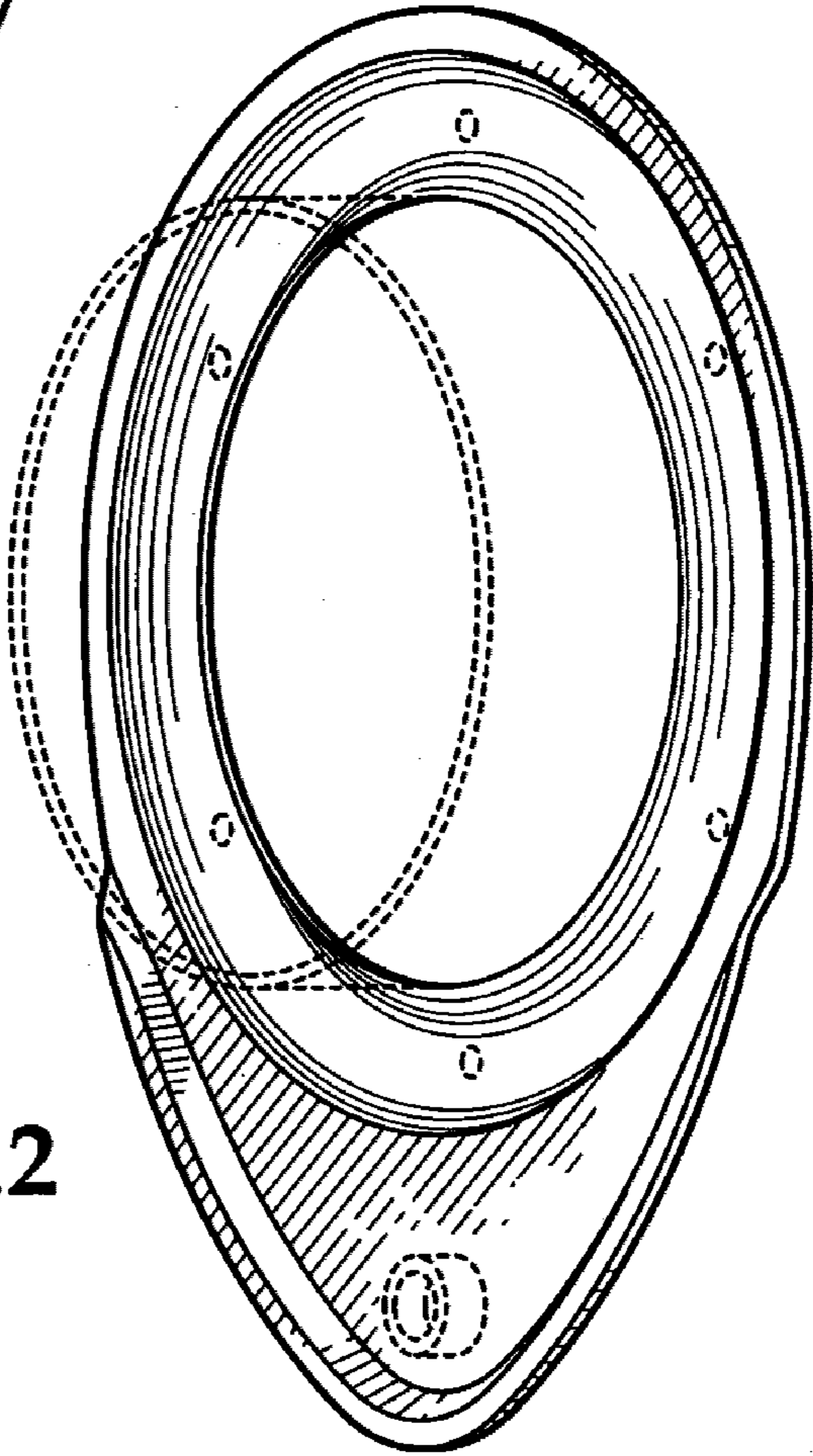
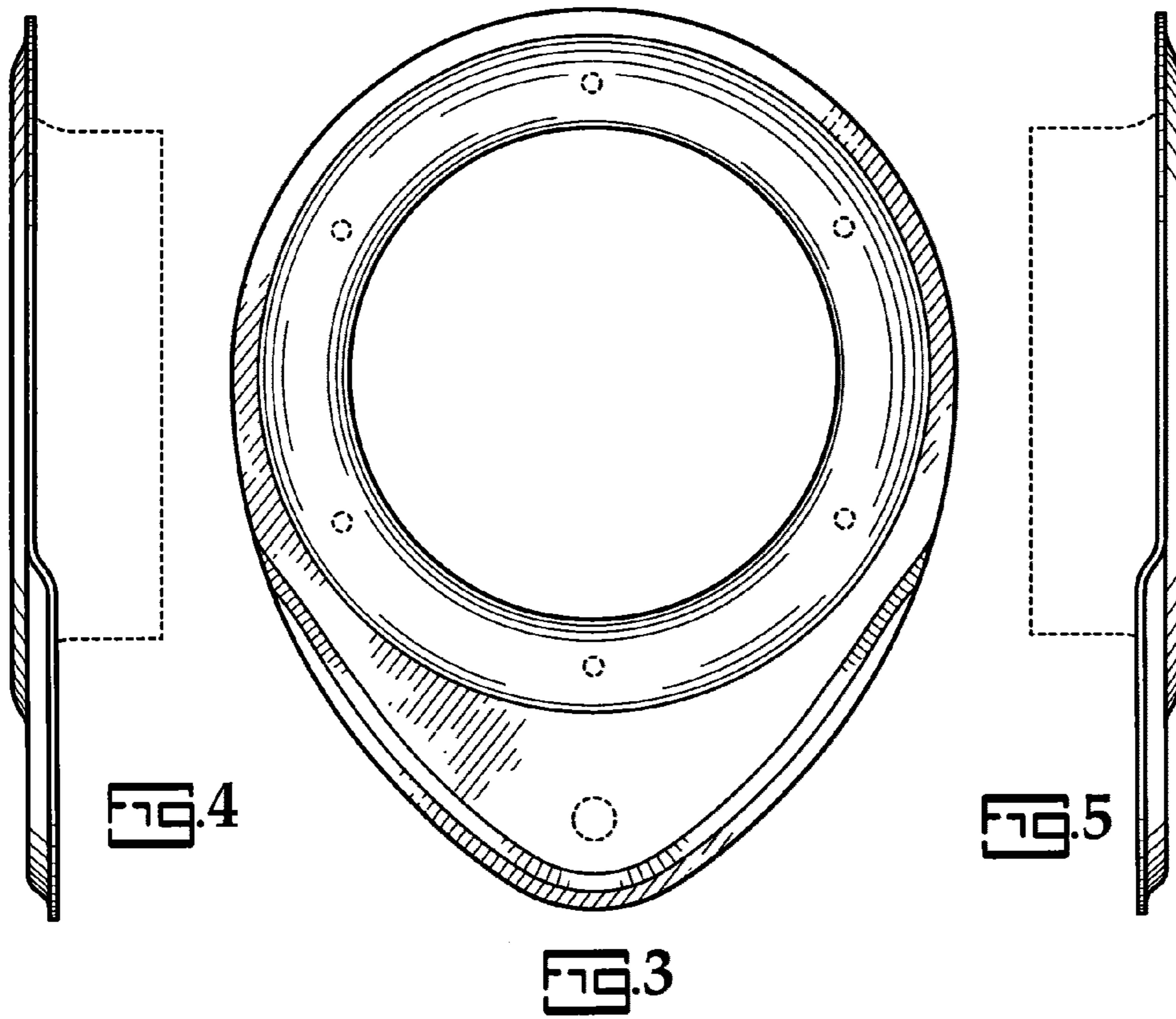


FIG. 2



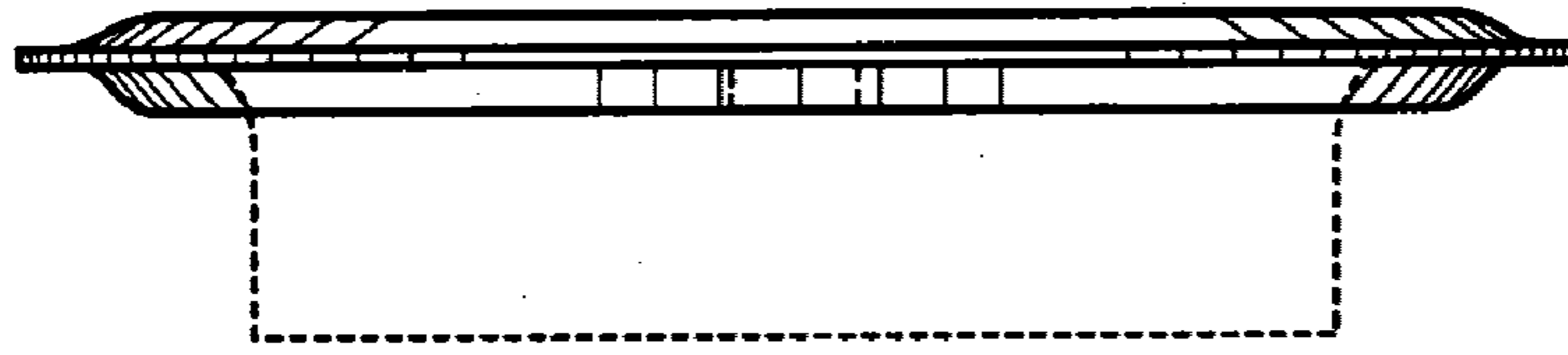


FIG. 7

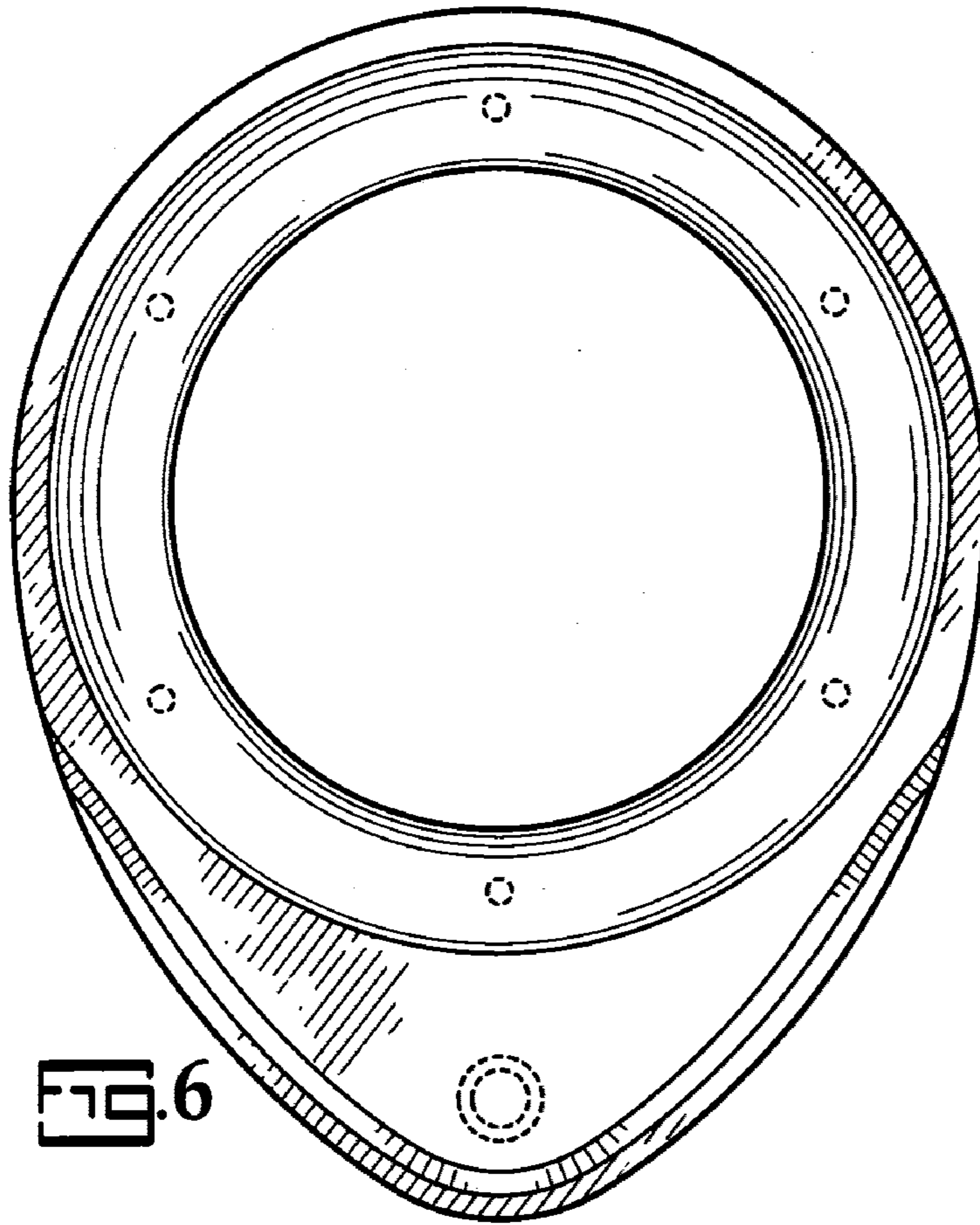


FIG. 6

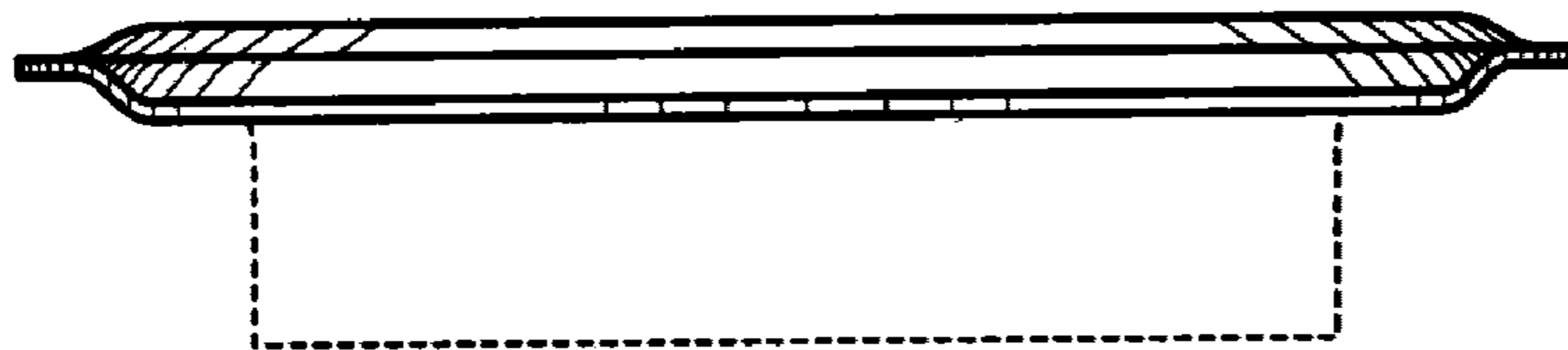


FIG. 8