



US00D632948S

(12) **United States Design Patent**
Travis

(10) **Patent No.:** **US D632,948 S**

(45) **Date of Patent:** **** *Feb. 22, 2011**

(54) **SUPPORT STRUCTURE**

(75) Inventor: **Jesse D. Travis**, 1566 E. Fountain St.,
Mesa, AZ (US) 85203

(73) Assignee: **Jesse D. Travis**, Mesa, AZ (US)

(**) Term: **14 Years**

(21) Appl. No.: **29/328,844**

(22) Filed: **Dec. 2, 2008**

(51) **LOC (9) Cl.** **08-05**

(52) **U.S. Cl.** **D8/354**

(58) **Field of Classification Search** D8/354;
248/300

See application file for complete search history.

(56) **References Cited**

U.S. PATENT DOCUMENTS

125,521	A	4/1872	Beidler	
2,887,216	A	5/1959	Hargraves	
4,164,968	A	8/1979	Esposito, Jr. et al.	
4,312,507	A	1/1982	Smith et al.	
D265,318	S *	7/1982	Stertzbach D15/126
4,513,974	A	4/1985	Lin	
4,564,091	A	1/1986	Coneglio	
4,635,110	A	1/1987	Weinblatt	
4,765,583	A	8/1988	Tenner	
RE33,423	E	11/1990	Lobanoff	
5,055,081	A	10/1991	Nayak	
5,217,119	A	6/1993	Hollingsworth	

(Continued)

FOREIGN PATENT DOCUMENTS

DE 10225330 4/2004

OTHER PUBLICATIONS

International Search Report and Written Opinion for International Application No. PCT/US2009/030590, dated Mar. 2, 2009, 10 pages. Statement and Product Photographs of "Original Tray Bien Traveler" product, taken Nov. 4, 2008, 3 pages. Seatback Organizer product page—"http://www.magellans.com/store/In_Flight_Comfort_Entertainment_AccessoriesIF13...", (c) 2008, 2 pages.

Primary Examiner—Holly H Baynham

(74) *Attorney, Agent, or Firm*—Edell, Shapiro & Finnan LLC

(57) **CLAIM**

The ornamental design for a support structure, as shown and described.

DESCRIPTION

FIG. 1 is a front perspective view of a support structure according to the present invention;

FIG. 2 is a front view of the support structure of FIG. 1;

FIG. 3 is a rear view of the support structure of FIG. 1;

FIG. 4 is a top view of the support structure of FIG. 1;

FIG. 5 is a bottom view of the support structure of FIG. 1;

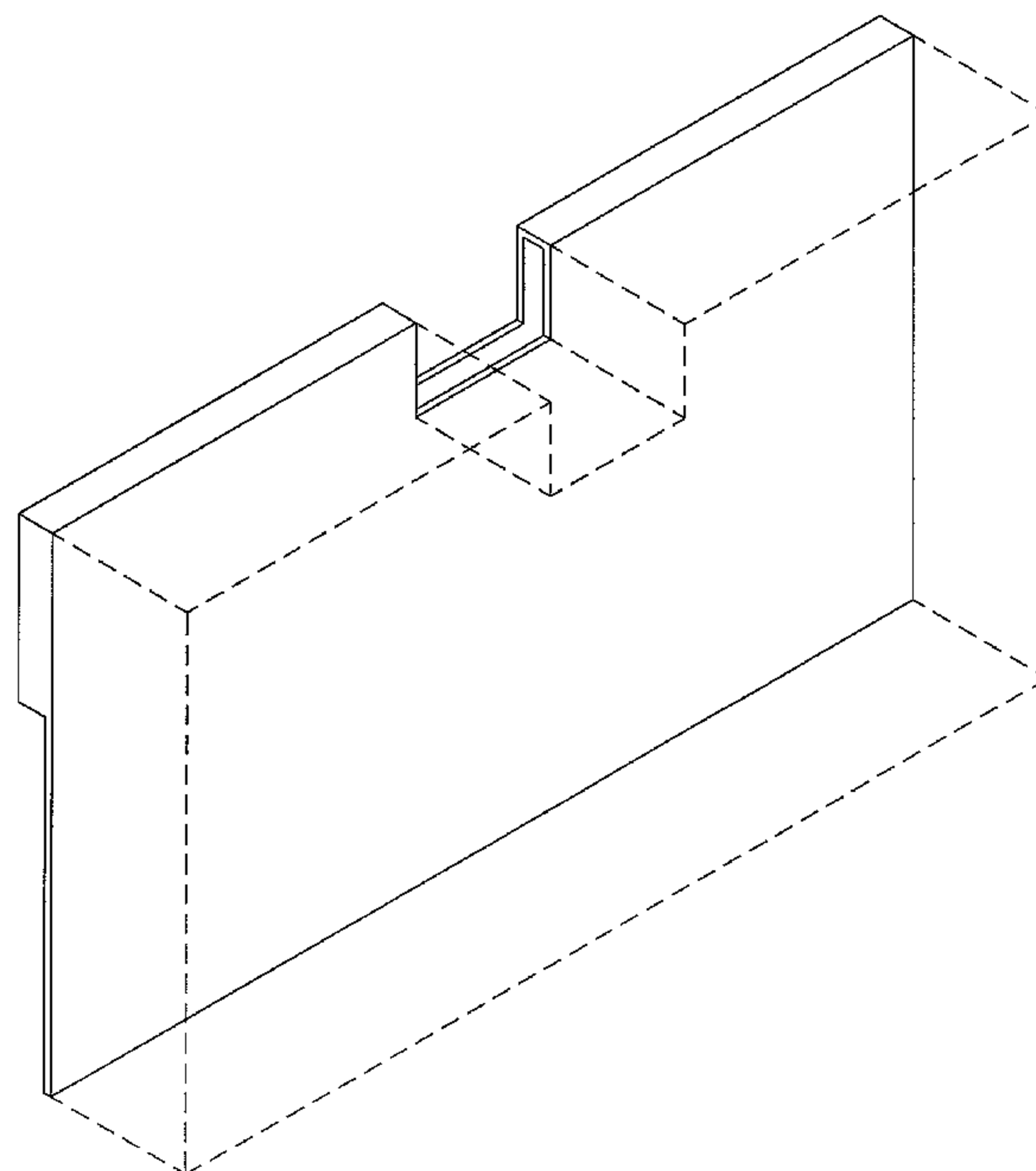
FIG. 6 is a left side view of the support structure of FIG. 1;

FIG. 7 is a right side view of the support structure of FIG. 1; and,

FIG. 8 is a rear perspective view of the support structure of FIG. 1.

The broken line showing of additional structure is included for the purpose of illustrating environment and forms no part of the claimed design.

1 Claim, 4 Drawing Sheets



US D632,948 S

U.S. PATENT DOCUMENTS						
			6,975,806	B1	12/2005	Lavelle et al.
			6,994,236	B2	2/2006	Hsu
			D518,293	S	4/2006	Lam
			D521,851	S *	5/2006	Smart D8/354
			7,048,163	B2	5/2006	Albert et al.
			7,207,469	B2	4/2007	Hussaini et al.
			7,232,184	B2	6/2007	Lawler
			7,360,649	B2	4/2008	Swaim et al.
			2001/0011664	A1	8/2001	Meritt
			2002/0066393	A1	6/2002	Strode et al.
			2003/0209581	A1	11/2003	Adams
			2003/0226148	A1	12/2003	Ferguson
			2004/0026966	A1	2/2004	Albersen
			2004/0073932	A1	4/2004	Lavelle et al.
			2005/0001137	A1	1/2005	Geros
			2005/0005298	A1	1/2005	Tranchina
			2005/0011920	A1	1/2005	Feng
			2005/0072699	A1	4/2005	Ng
			2005/0072824	A1	4/2005	Lee et al.
			2005/0079904	A1	4/2005	Hussaini et al.
			2005/0098594	A1	5/2005	Truong
			2005/0103815	A1	5/2005	Lee et al.
			2005/0146844	A1	7/2005	Hussaini et al.
			2005/0155998	A1	7/2005	Albert et al.
			2005/0232585	A1	10/2005	Lavelle et al.
			2006/0022003	A1	2/2006	Zheng
			2006/0102667	A1	5/2006	Padilla
			2006/0113342	A1	6/2006	Hampton et al.
			2006/0146657	A1	7/2006	Laraia
			2006/0149430	A1	7/2006	Slaton
			2006/0208020	A1	9/2006	Albert et al.
			2006/0243766	A1	11/2006	Lan
			2006/0272968	A1	12/2006	Swaim et al.
			2006/0283899	A1	12/2006	Hill
			2007/0045365	A1	3/2007	Guo et al.
			2007/0070259	A1	3/2007	Schedivy
			2007/0120038	A1	5/2007	Wang et al.
			2007/0242172	A1	10/2007	Macholz
5,307,968	A	5/1994	Kalmbach			
5,388,530	A	2/1995	Jacobus			
5,405,068	A	4/1995	Lovett			
5,460,102	A	10/1995	Pasmanick			
5,490,623	A	2/1996	McConnell			
5,628,439	A	5/1997	O'Hara			
5,642,674	A	7/1997	Joye, Sr. et al.			
5,645,204	A	7/1997	Struzer			
5,680,973	A	10/1997	Vulpitta et al.			
5,704,527	A	1/1998	Struzer			
5,800,001	A	9/1998	Anastasi			
5,832,566	A	11/1998	Quek et al.			
5,842,715	A	12/1998	Jones			
5,878,672	A	3/1999	Ostermann et al.			
5,894,977	A	4/1999	Krueger et al.			
5,984,092	A	11/1999	Heard-Willmon			
6,092,705	A	7/2000	Meritt			
6,149,229	A	11/2000	Dillon, Jr. et al.			
6,182,330	B1	2/2001	Novin et al.			
6,193,118	B1	2/2001	Kearl			
6,216,927	B1	4/2001	Meritt			
6,269,948	B1	8/2001	Jackson			
6,273,310	B1	8/2001	Gregory			
6,321,912	B1	11/2001	Lippert et al.			
D451,882	S	12/2001	Hassett et al.			
6,382,421	B1	5/2002	Dao			
6,402,000	B1	6/2002	Stark			
6,449,144	B1	9/2002	Yeh			
6,530,475	B1	3/2003	Penney			
6,578,706	B2	6/2003	Thompson			
D479,186	S	9/2003	Hassett			
6,619,605	B2	9/2003	Lambert			
6,666,149	B1	12/2003	Lathrop			
6,678,892	B1	1/2004	Lavelle et al.			
6,685,016	B2	2/2004	Swaim et al.			
6,715,594	B2	4/2004	Milionta et al.			
D501,997	S	2/2005	Hassett			
6,880,793	B2	4/2005	Huang et al.			
6,928,654	B2	8/2005	Tranchina et al.			

* cited by examiner

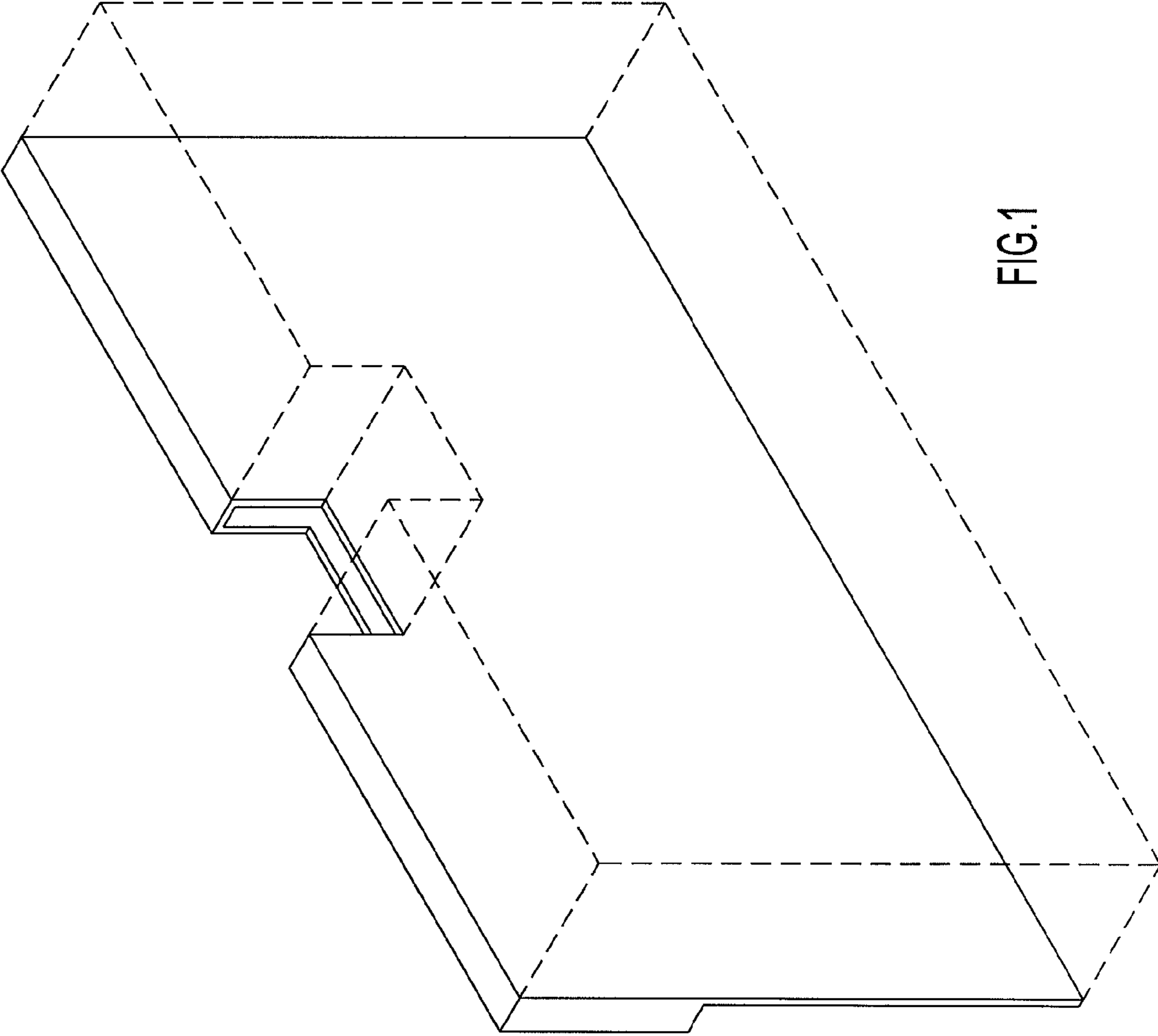


FIG.1

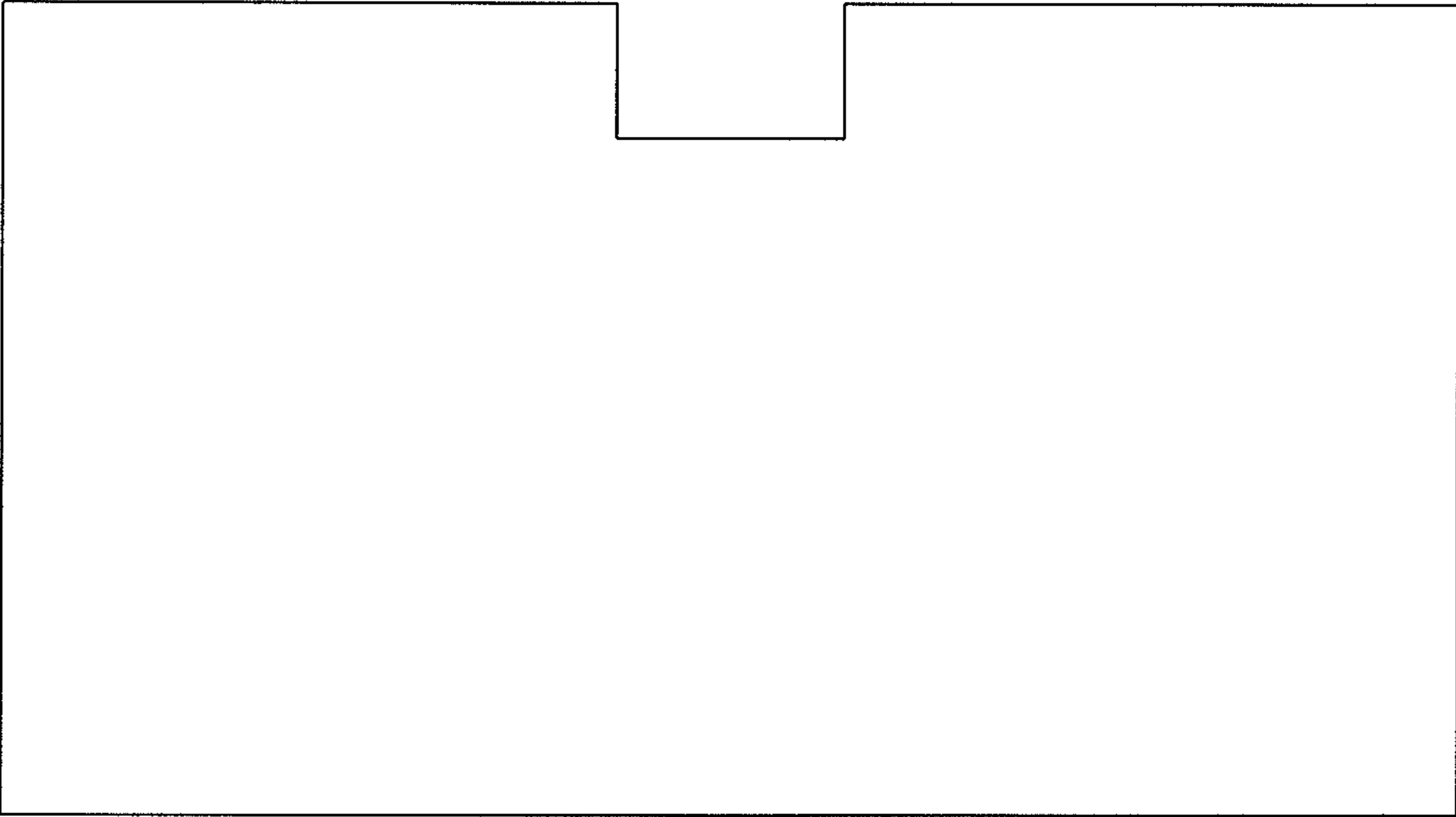


FIG.2

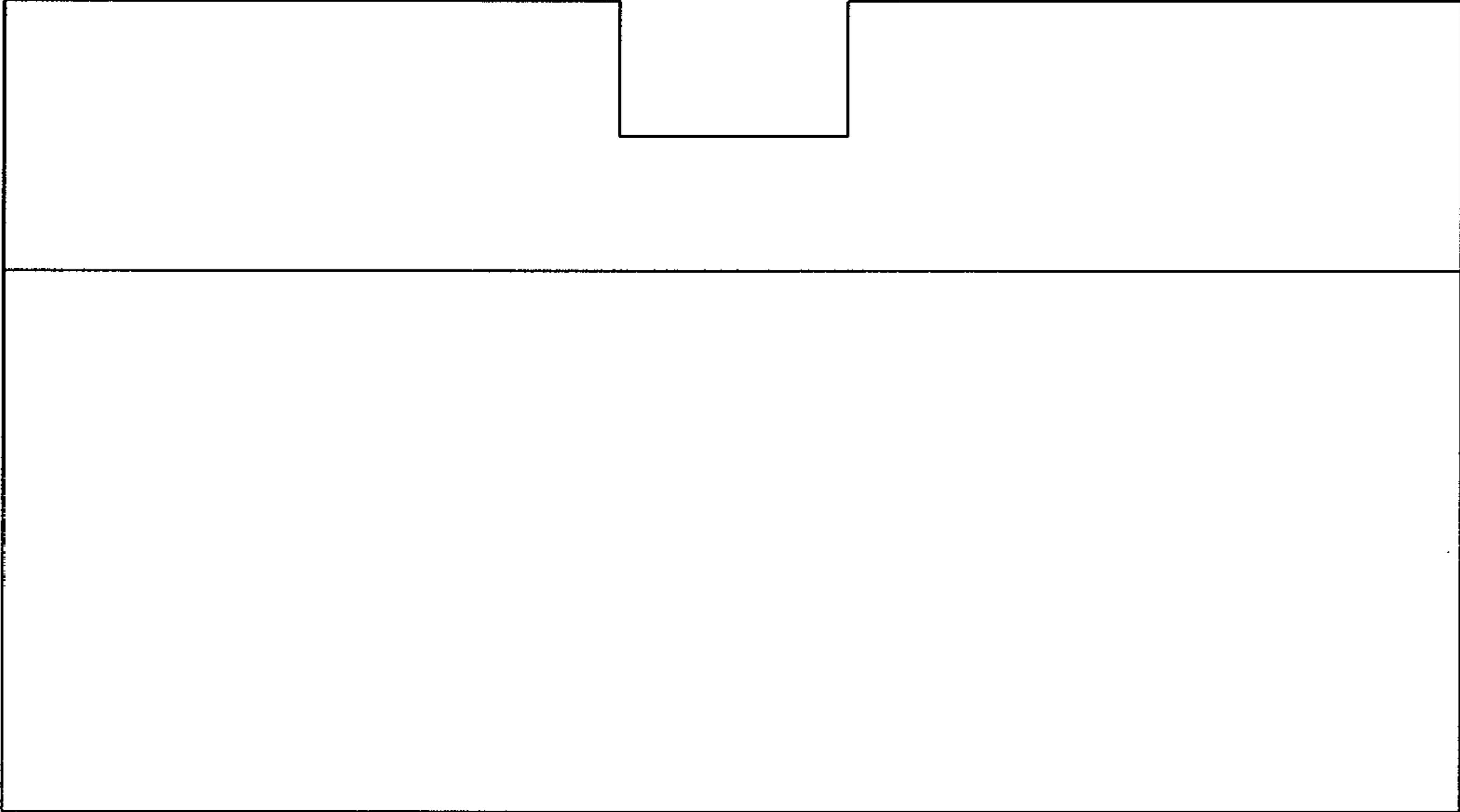


FIG.3

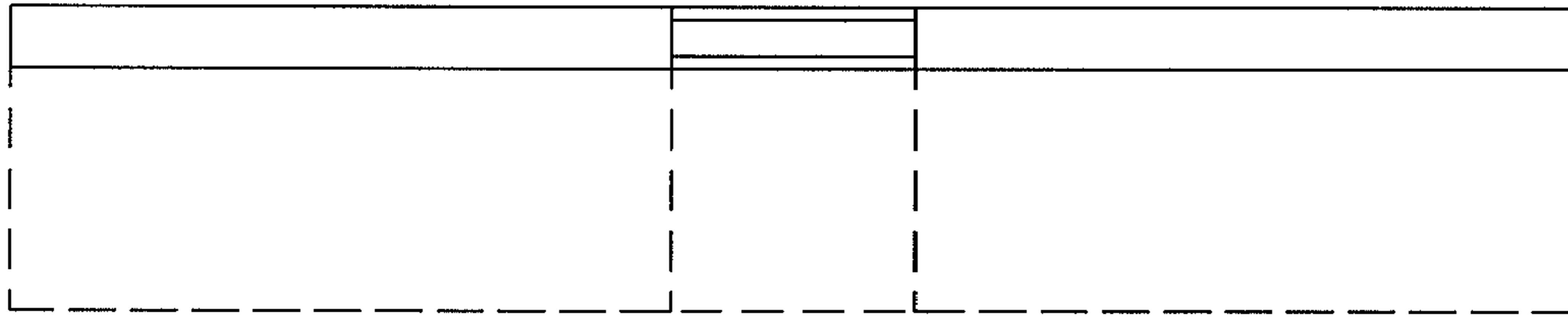


FIG. 4

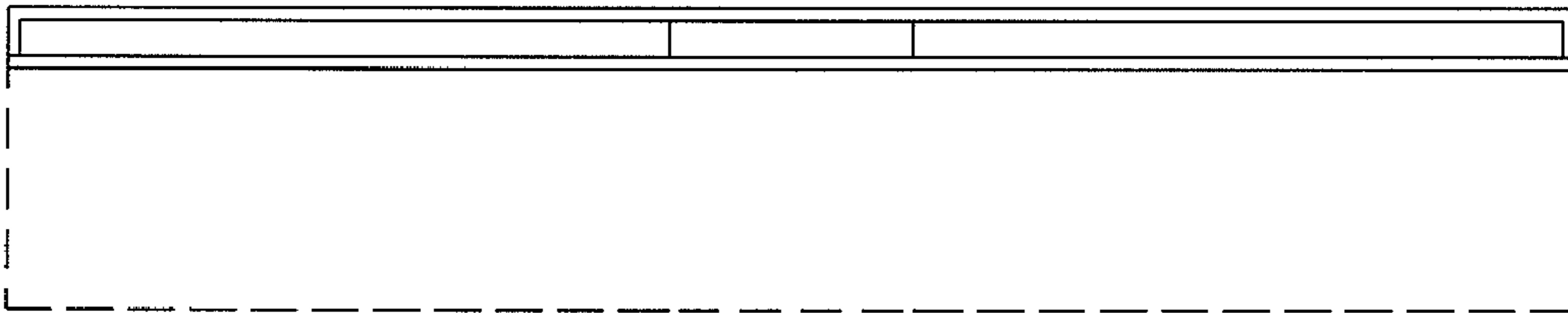


FIG. 5

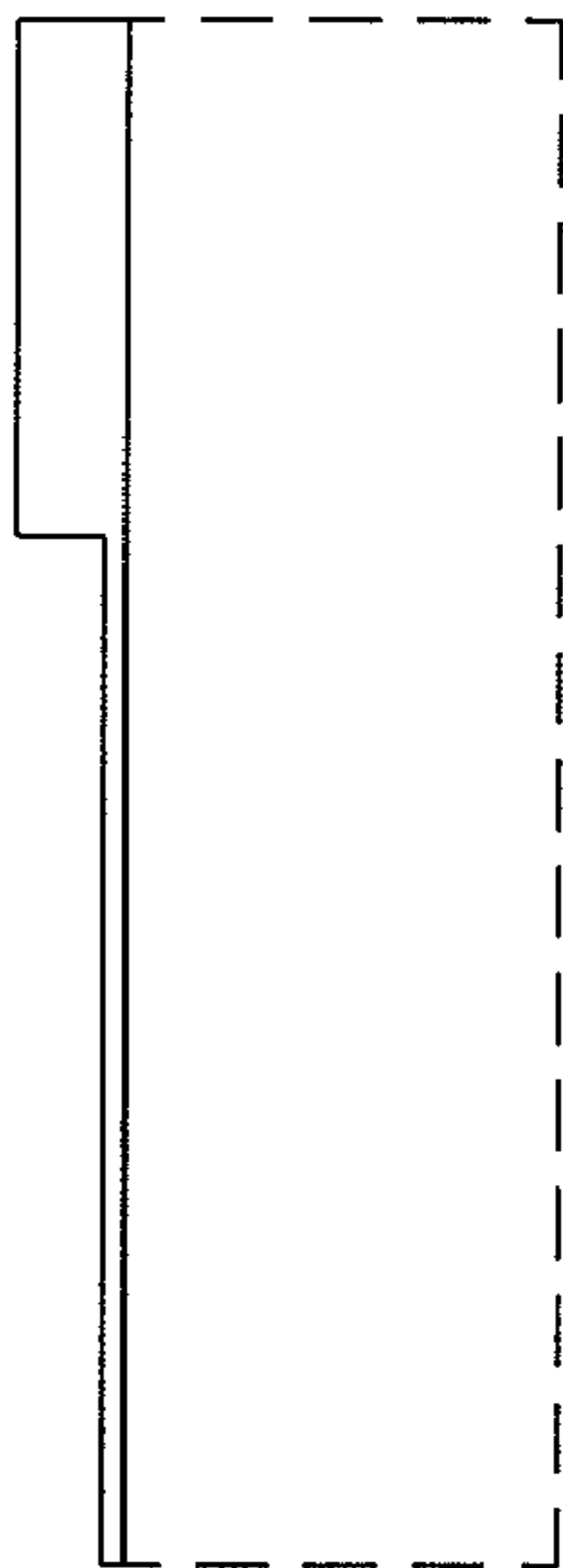


FIG. 6

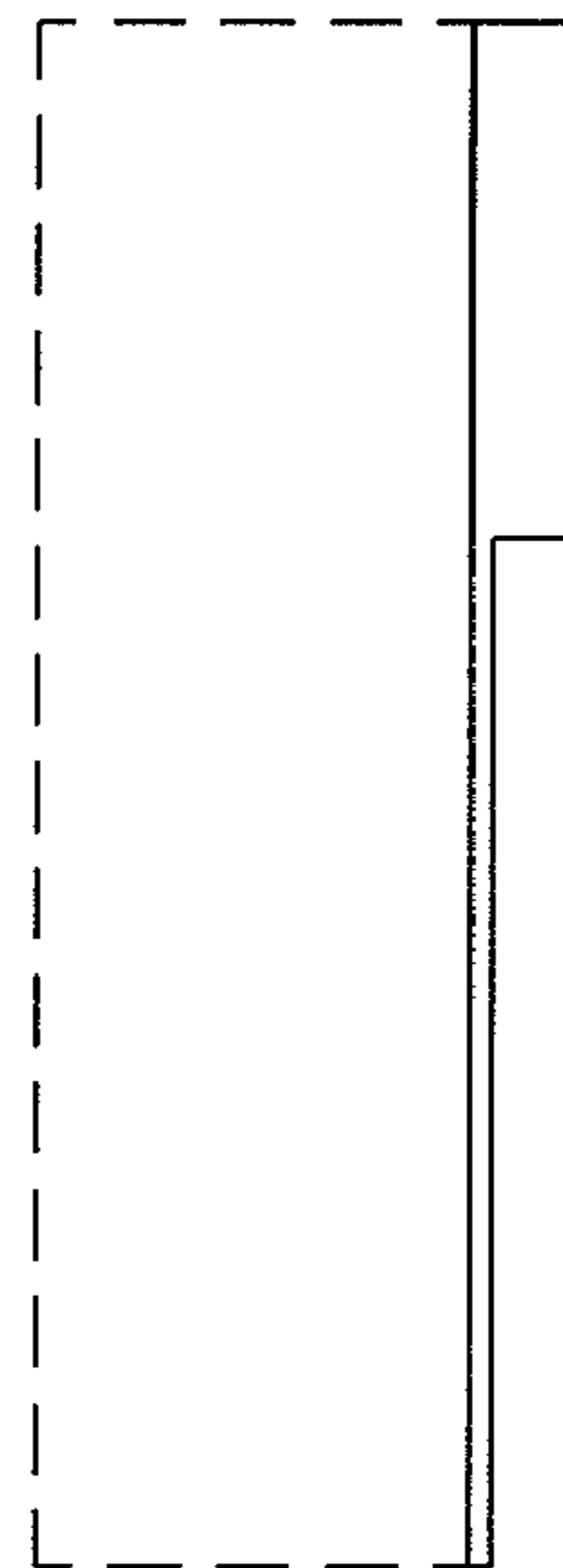


FIG. 7

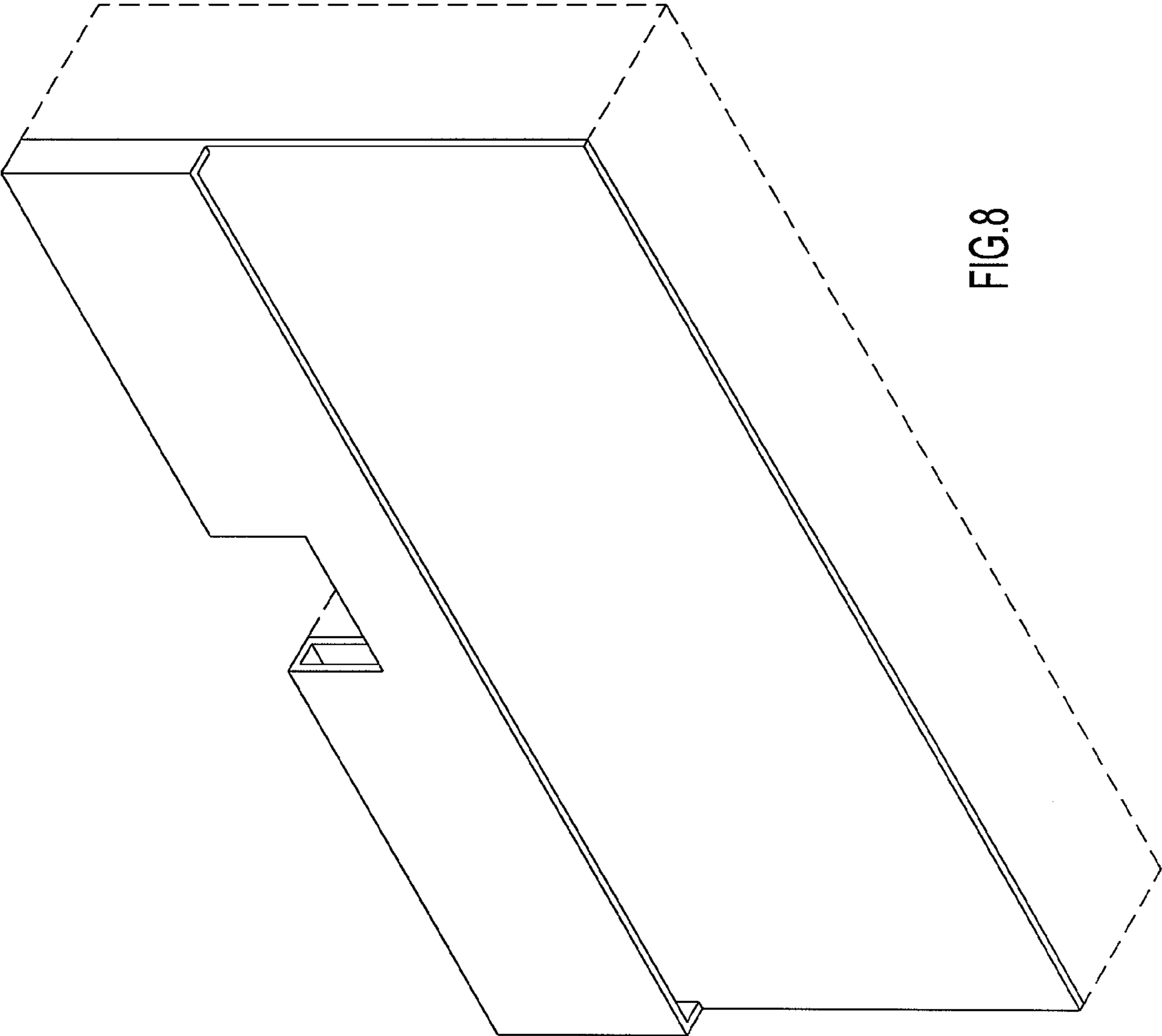


FIG.8