

US00D632946S

(12) **United States Design Patent**  
**Hartgens**

(10) **Patent No.:** **US D632,946 S**

(45) **Date of Patent:** **\*\* Feb. 22, 2011**

(54) **ADJUSTABLE LOCKING AND BLOCKING DEVICE**

(75) Inventor: **Christian Hartgens**, Broomfield, CO (US)

(73) Assignee: **Lock-It Block-It, LLC**, Broomfield, CO (US)

(\*\*) Term: **14 Years**

(21) Appl. No.: **29/380,618**

(22) Filed: **Dec. 8, 2010**

**Related U.S. Application Data**

(63) Continuation of application No. 12/888,374, filed on Sep. 22, 2010, which is a continuation-in-part of application No. 29/356,636, filed on Mar. 1, 2010, now abandoned.

(51) **LOC (9) Cl.** ..... **08-07**

(52) **U.S. Cl.** ..... **D8/339**

(58) **Field of Classification Search** ..... D8/330, D8/331, 339-342, 349, 367, 400; 70/14, 70/19, 57, 57.1, 58, 51, 52, 199, 237, 240, 70/431, 288, 94, 99; 292/92, 339, 259 R, 292/259 A, 57, 262, 273, 305, 306, DIG. 47; 49/57, 61, 62, 303, 463-466

See application file for complete search history.

(56) **References Cited**

**U.S. PATENT DOCUMENTS**

3,615,114 A \* 10/1971 Harris ..... 292/288  
4,633,612 A \* 1/1987 Forkish ..... 49/55

5,165,741 A \* 11/1992 Everett ..... 292/259 R  
5,669,641 A \* 9/1997 Jeansonne ..... 292/259 R  
D398,831 S \* 9/1998 Walton ..... D8/339  
5,826,923 A \* 10/1998 Bethurem ..... 292/259 R  
6,619,708 B1 \* 9/2003 Naylor ..... 292/259 R  
D504,301 S \* 4/2005 Wood ..... D8/339  
D504,302 S \* 4/2005 Wood ..... D8/339  
D540,150 S \* 4/2007 Wilson et al. .... D8/339  
D552,963 S \* 10/2007 Freeman ..... D8/339  
2009/0173012 A1 \* 7/2009 Luca et al. .... 49/503

\* cited by examiner

*Primary Examiner*—Prabhakar Deshmukh

(74) *Attorney, Agent, or Firm*—Kevin H. Fortin

(57) **CLAIM**

The ornamental design for an adjustable locking and blocking device, as shown and described.

**DESCRIPTION**

FIG. 1 is a perspective view of an adjustable locking and blocking device showing my new design;

FIG. 2 is a top plan view thereof;

FIG. 3 is a right side elevational view thereof, the left side being a mirror image;

FIG. 4 is a bottom plan view thereof;

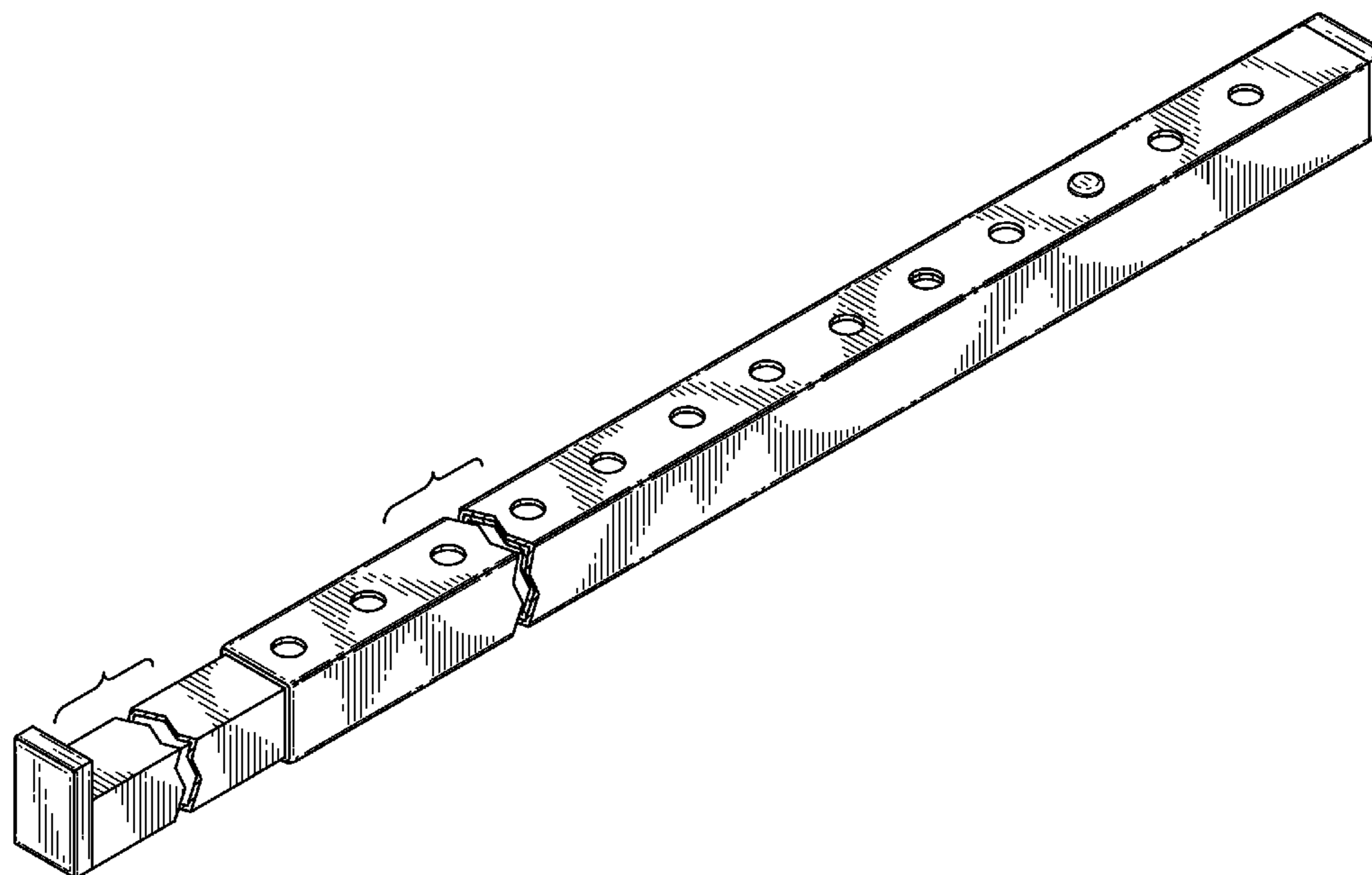
FIG. 5 is a front elevational view thereof;

FIG. 6 is a rear elevational view thereof; and,

FIG. 7 is an exploded perspective view thereof.

The claimed adjustable locking and blocking device shows an undetermined length.

**1 Claim, 3 Drawing Sheets**



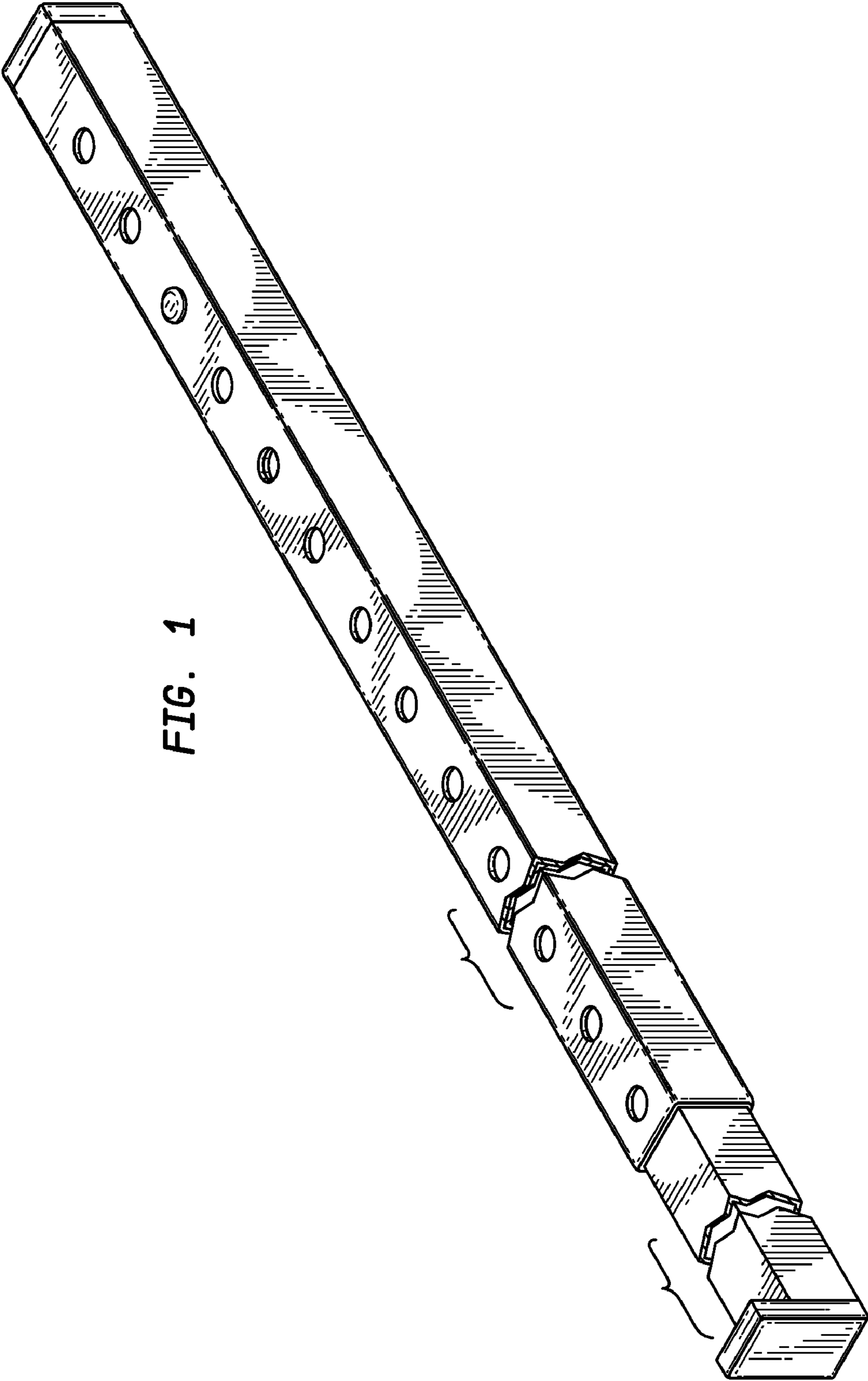


FIG. 1

FIG. 2

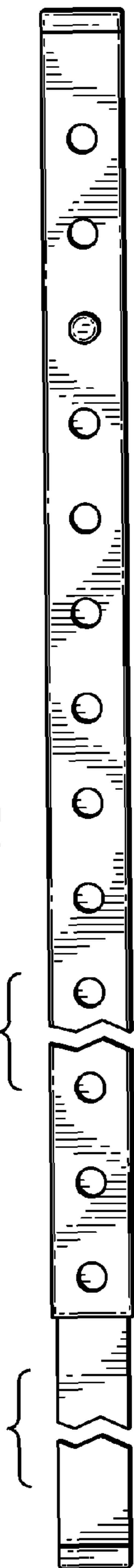


FIG. 3



FIG. 4



FIG. 6



FIG. 5



FIG. 7

