



US00D632944S

(12) **United States Design Patent**
Kang

(10) **Patent No.:** **US D632,944 S**
(45) **Date of Patent:** **** Feb. 22, 2011**

(54) **KNOB FOR A COMBINATION LOCK**

(75) Inventor: **Donwoong Kang**, Camillus, NY (US)

(73) Assignee: **John D. Brush & Co., Inc.**, Rochester, NY (US)

(**) Term: **14 Years**

(21) Appl. No.: **29/375,397**

(22) Filed: **Sep. 22, 2010**

(51) **LOC (9) Cl.** **08-06**

(52) **U.S. Cl.** **D8/312; D8/321; D8/397**

(58) **Field of Classification Search** D8/300–302,
D8/305, 312–321, DIG. 1, DIG. 2, 307–309,
D8/310, 311, 331, 322, 350, 352, 399, 397;
D6/633; D7/393; D3/291, 318; D23/250–254;
D12/192, 174, 177, 400, 190; D10/49, 50,
D10/60; D13/174; D21/694, 663, 250, 254;
292/347, 336.3; 16/101.1, 412, 414–420,
16/443–446, 441, 110 R, 111 R, DIG. 19,
16/DIG. 20

See application file for complete search history.

(56) **References Cited**

U.S. PATENT DOCUMENTS

D43,713 S *	3/1913	Campbell	D8/397
D217,540 S *	5/1970	Welse	D8/397
D231,316 S *	4/1974	Bienkowski et al.	D8/312
4,468,943 A	9/1984	Beattie et al.		
4,569,294 A	2/1986	Beattie et al.		
4,977,766 A	12/1990	Beattie et al.		
D324,411 S *	3/1992	Jolibois	D23/250
D324,986 S *	3/1992	Fratantonio et al.	D8/312

D389,394 S *	1/1998	Taylor	D8/312
5,946,954 A	9/1999	Emery et al.		
D416,060 S *	11/1999	Angeles	D21/694
6,352,308 B1 *	3/2002	Chen	297/344.21
6,363,579 B1 *	4/2002	King, Jr.	16/441
D472,947 S *	4/2003	Wu	D21/694
D487,835 S	3/2004	Lynch et al.		
D520,856 S	5/2006	Osiecki et al.		
D520,859 S	5/2006	Osiecki et al.		
D589,776 S *	4/2009	Camp	D8/312
D590,232 S *	4/2009	Demers et al.	D8/107
D600,094 S *	9/2009	Hwang et al.	D8/312

* cited by examiner

Primary Examiner—Mark A Goodwin

(74) *Attorney, Agent, or Firm*—Woods Oviatt Gilman LLP

(57) **CLAIM**

The ornamental design for a knob for a combination lock, as shown and described.

DESCRIPTION

FIG. 1 is a left front perspective view of a knob for a combination lock showing my design;

FIG. 2 is a front view thereof;

FIG. 3 is a right side view thereof;

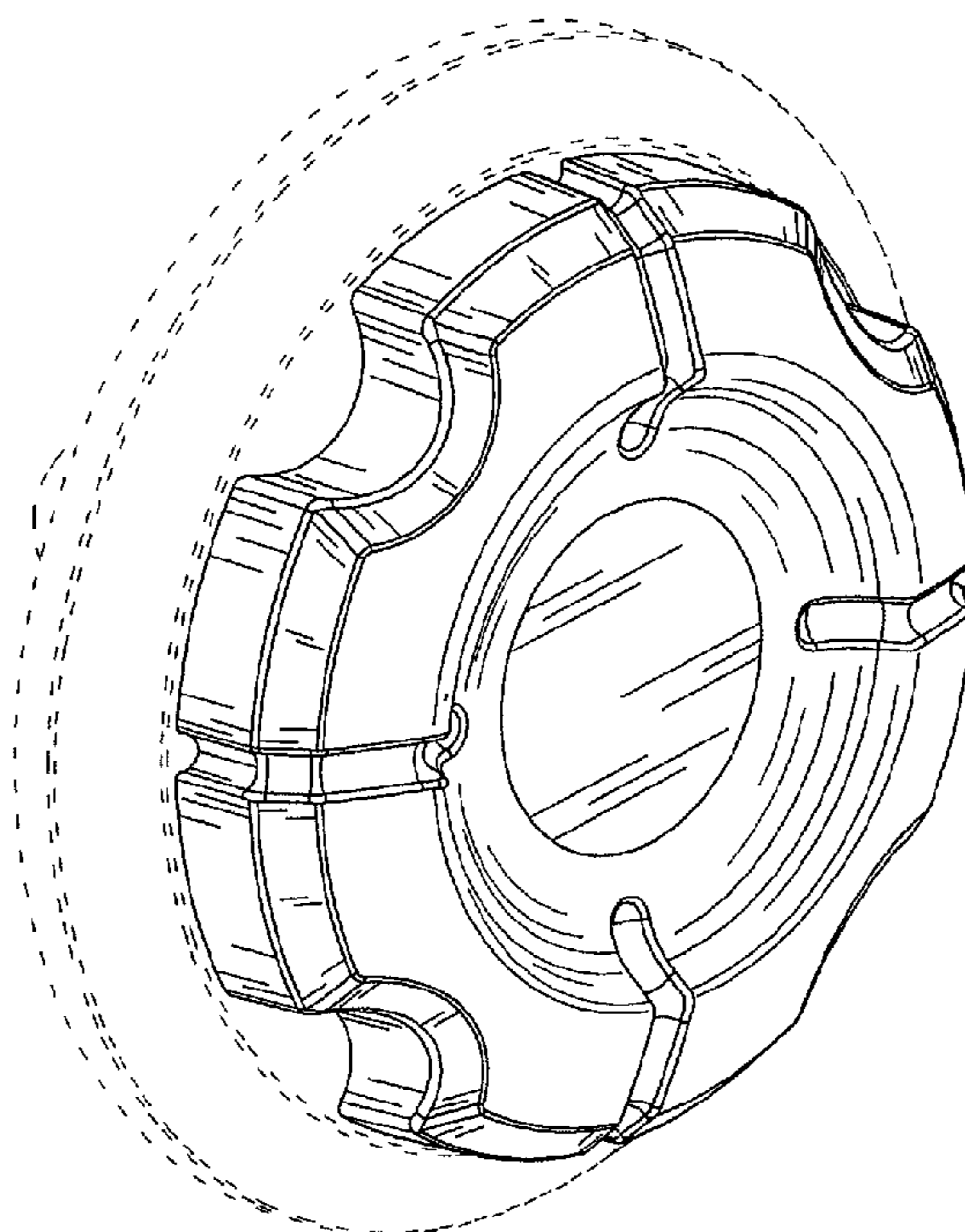
FIG. 4 is a left side view thereof;

FIG. 5 is a top view thereof; and,

FIG. 6 is a bottom view thereof.

The portions of the drawings shown in broken lines represent environmental structure and form no part of the claimed design.

1 Claim, 6 Drawing Sheets



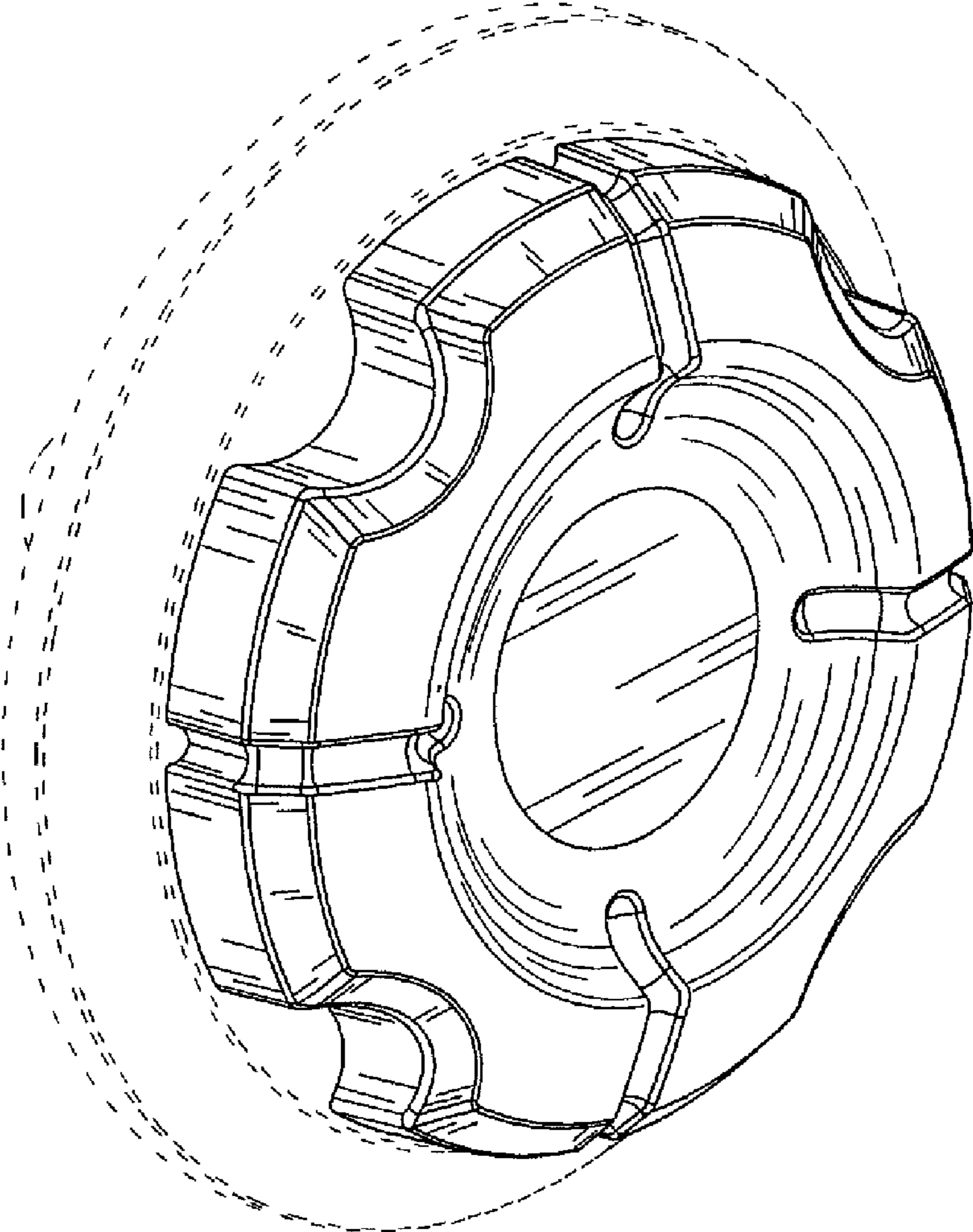


FIG. 1

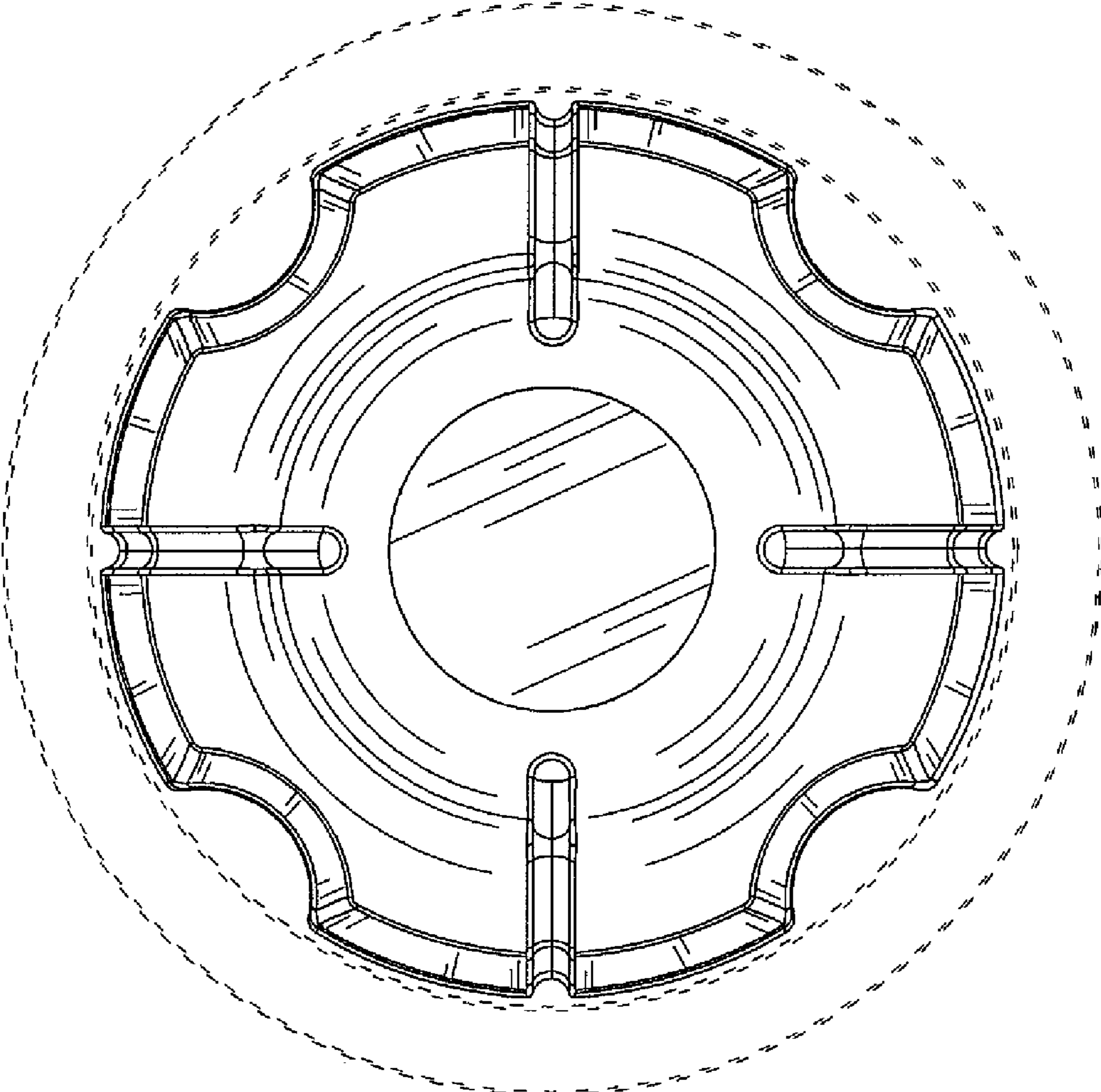


FIG. 2

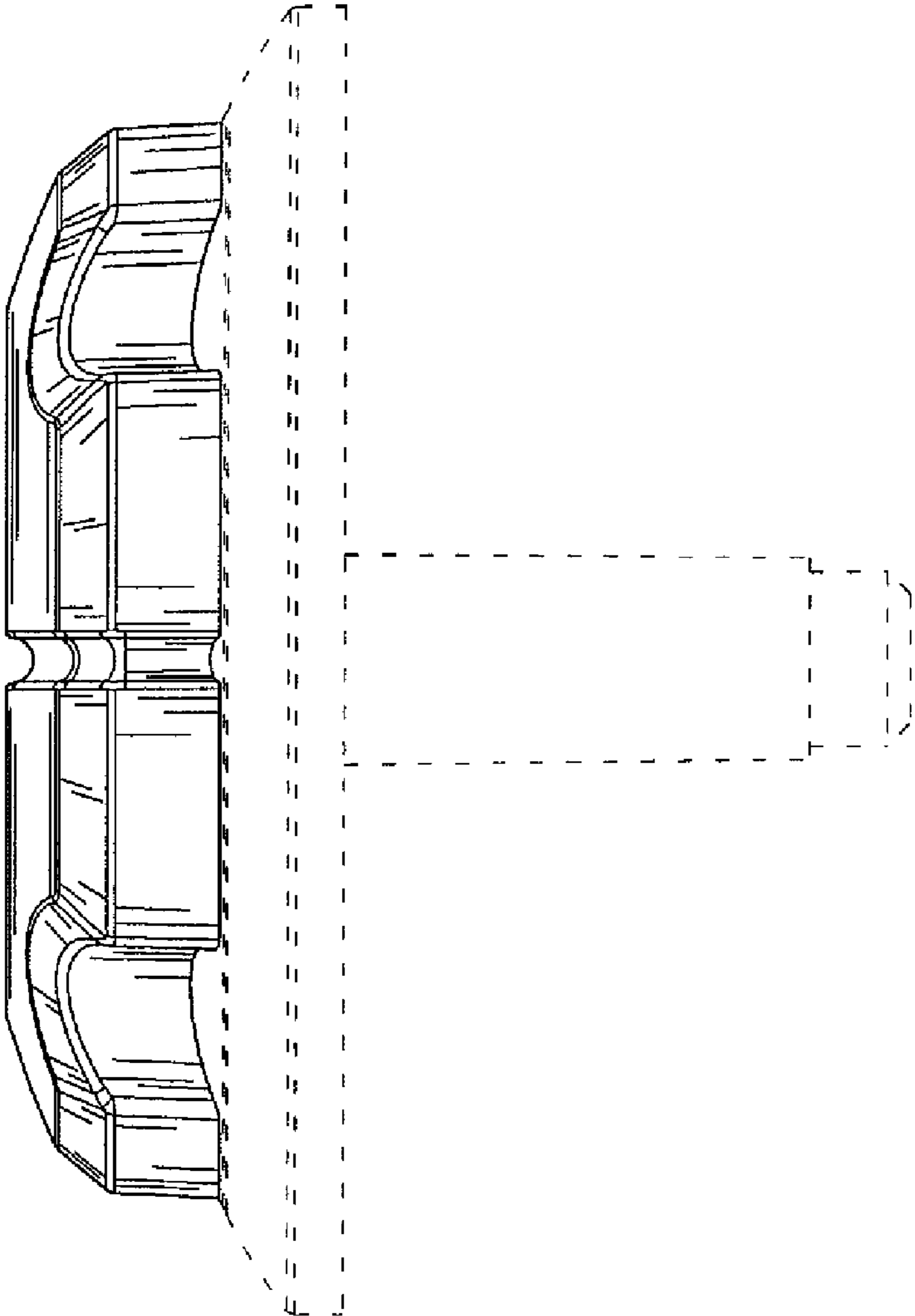


FIG. 3

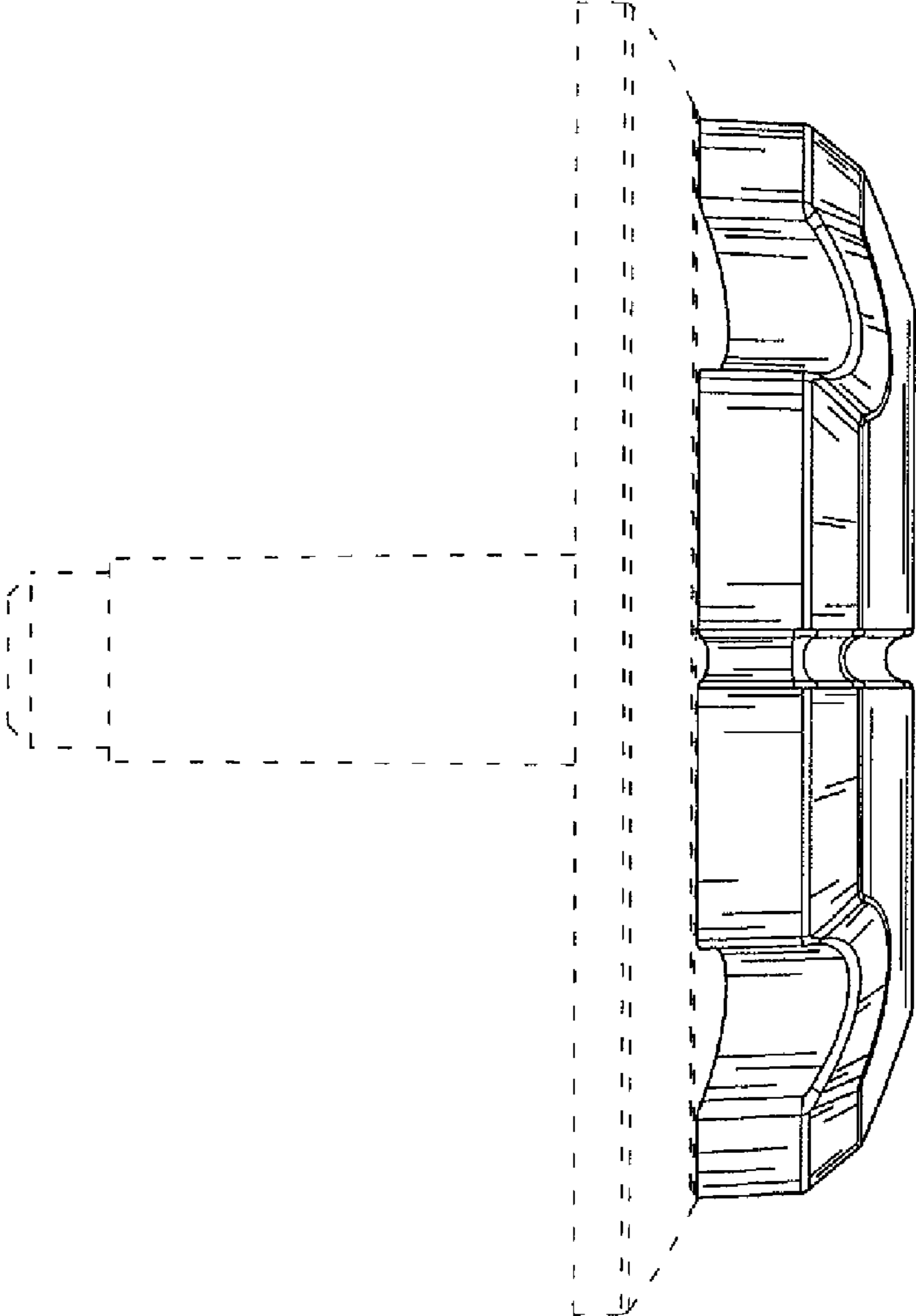


FIG. 4

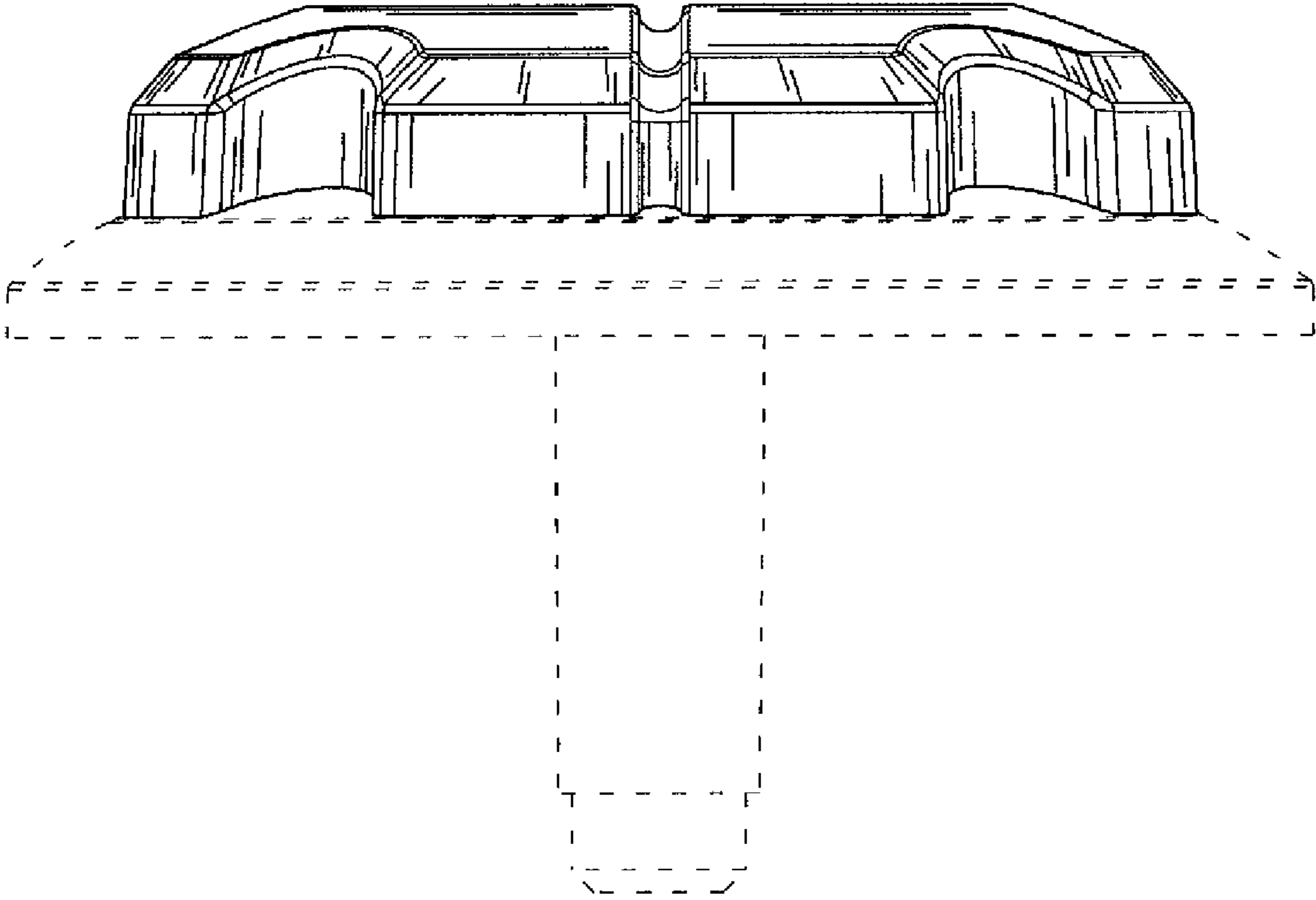


FIG. 5

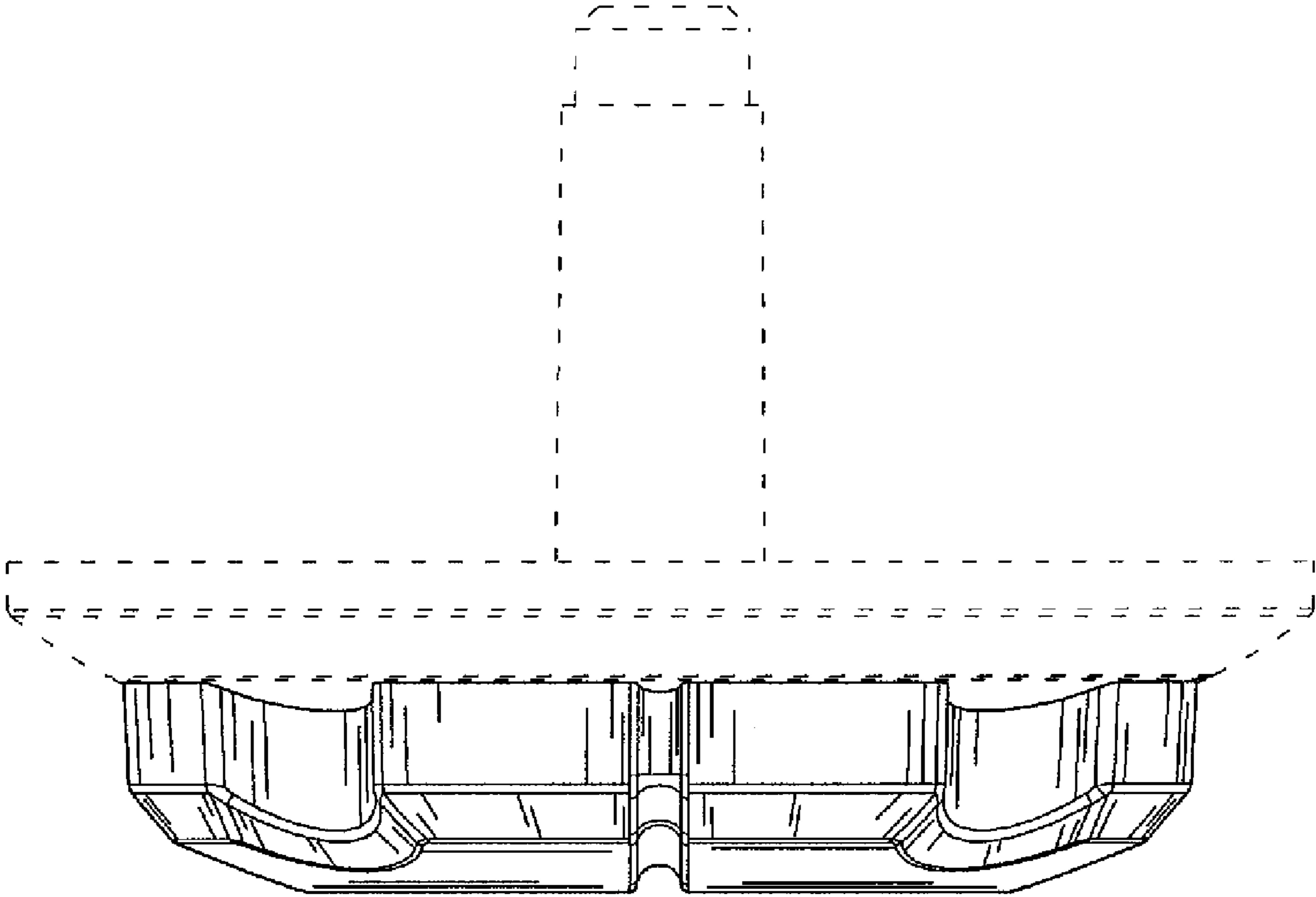


FIG. 6