



US00D632943S

(12) **United States Design Patent**
Cabriales et al.

(10) **Patent No.:** **US D632,943 S**

(45) **Date of Patent:** **** Feb. 22, 2011**

(54) **HANDLE ATTACHMENT FOR A ROTARY HAND TOOL**

2010/0014932 A1* 1/2010 Albinsson et al. 408/56
2010/0224384 A1* 9/2010 Gwosdz et al. 173/217

(75) Inventors: **Saul Cabriales**, Mexicali (MX);
Timothy Baker, Aurora, IL (US); **Josh Barhitte**, Chicago, IL (US); **Dale Selsor Di Iulio**, Saukville, WI (US); **Scott Micoley**, Cederburg, WI (US)

* cited by examiner

Primary Examiner—Antoine D Davis
(74) *Attorney, Agent, or Firm*—Greer, Burns & Crain, Ltd.

(73) Assignee: **Robert Bosch Tool Corporation**, Broadview, IL (US)

(57) **CLAIM**

The ornamental design for a handle attachment for a rotary hand tool, as shown and described.

(**) Term: **14 Years**

DESCRIPTION

(21) Appl. No.: **29/355,247**

FIG. 1 is a front left isomeric view of a handle attachment for a rotary hand tool;

(22) Filed: **Feb. 4, 2010**

FIG. 2 is a left plan view of a handle attachment for a rotary hand tool shown in FIG. 1;

(51) **LOC (9) Cl.** **08-05**

(52) **U.S. Cl.** **D8/70**

(58) **Field of Classification Search** D8/62,
D8/66-70; 451/344.45, 358, 359; 16/422;
173/170, 213, 216, 217; 81/177.1, 177.4,
81/177.85, 489, 490; 294/16, 32, 33, 29,
294/27.1, 165, 170; 312/332.1; 408/124;
409/182, 181

FIG. 3 is a right plan view of the handle attachment for a rotary hand tool shown in FIG. 1;

FIG. 4 is a front plan view of the handle attachment for a rotary hand tool shown in FIG. 1;

FIG. 5 is a rear plan view of the handle attachment for a rotary hand tool shown in FIG. 1;

FIG. 6 is a top plan view of the handle attachment for a rotary hand tool shown in FIG. 1; and,

FIG. 7 is a bottom plan view of the handle attachment for a rotary hand tool shown in FIG. 1.

The broken line showing of structural features is included for the purpose of illustrating non-claimed subject matter and forms no part of the claimed design.

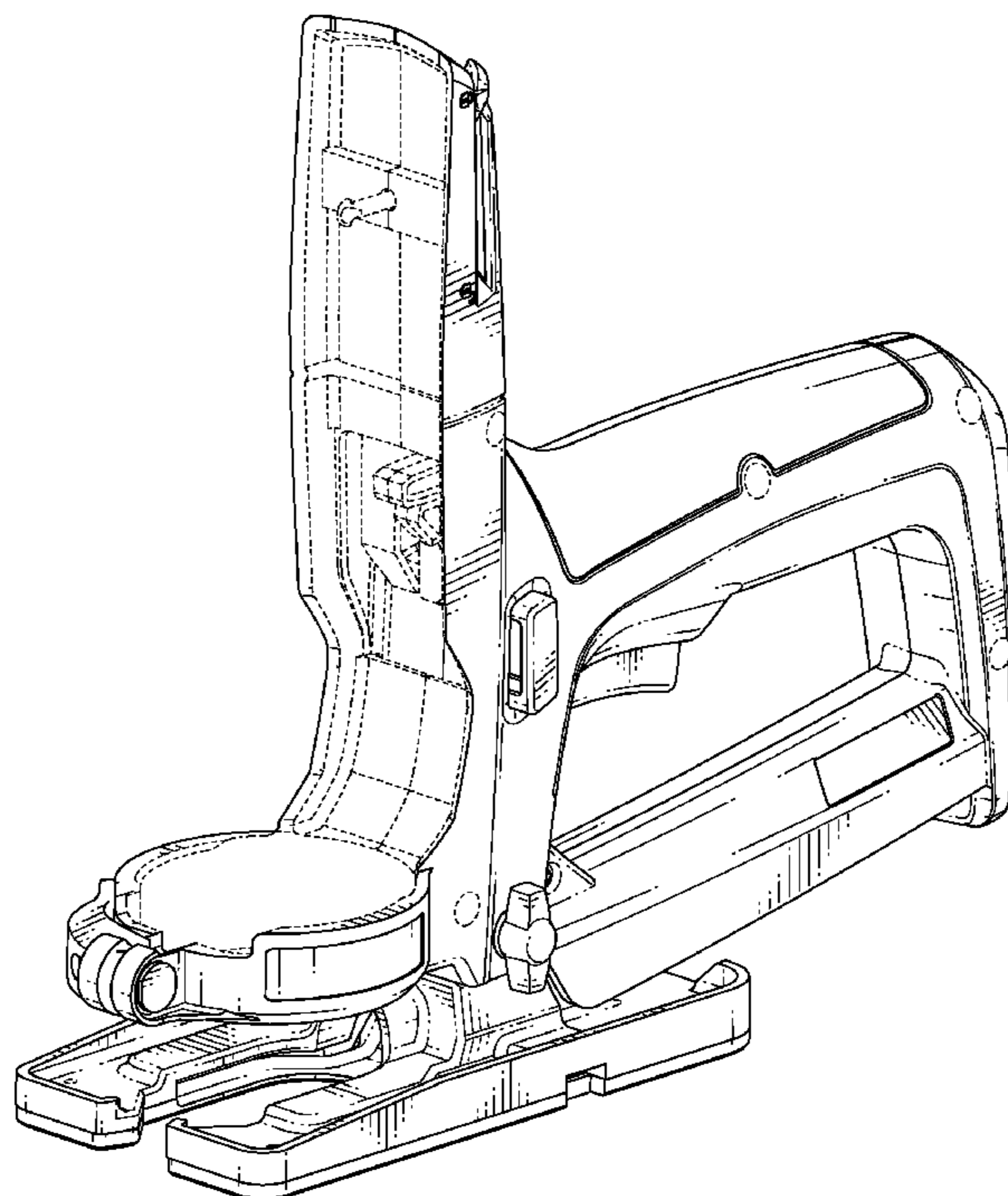
See application file for complete search history.

(56) **References Cited**

U.S. PATENT DOCUMENTS

3,973,179 A * 8/1976 Weber et al. 320/113
D421,558 S * 3/2000 Shigo et al. D8/69
D438,080 S * 2/2001 Loomis et al. D8/70
7,424,768 B2 * 9/2008 Beruscha et al. 16/422
2009/0104861 A1* 4/2009 Van Der Linde et al. 451/344

1 Claim, 5 Drawing Sheets



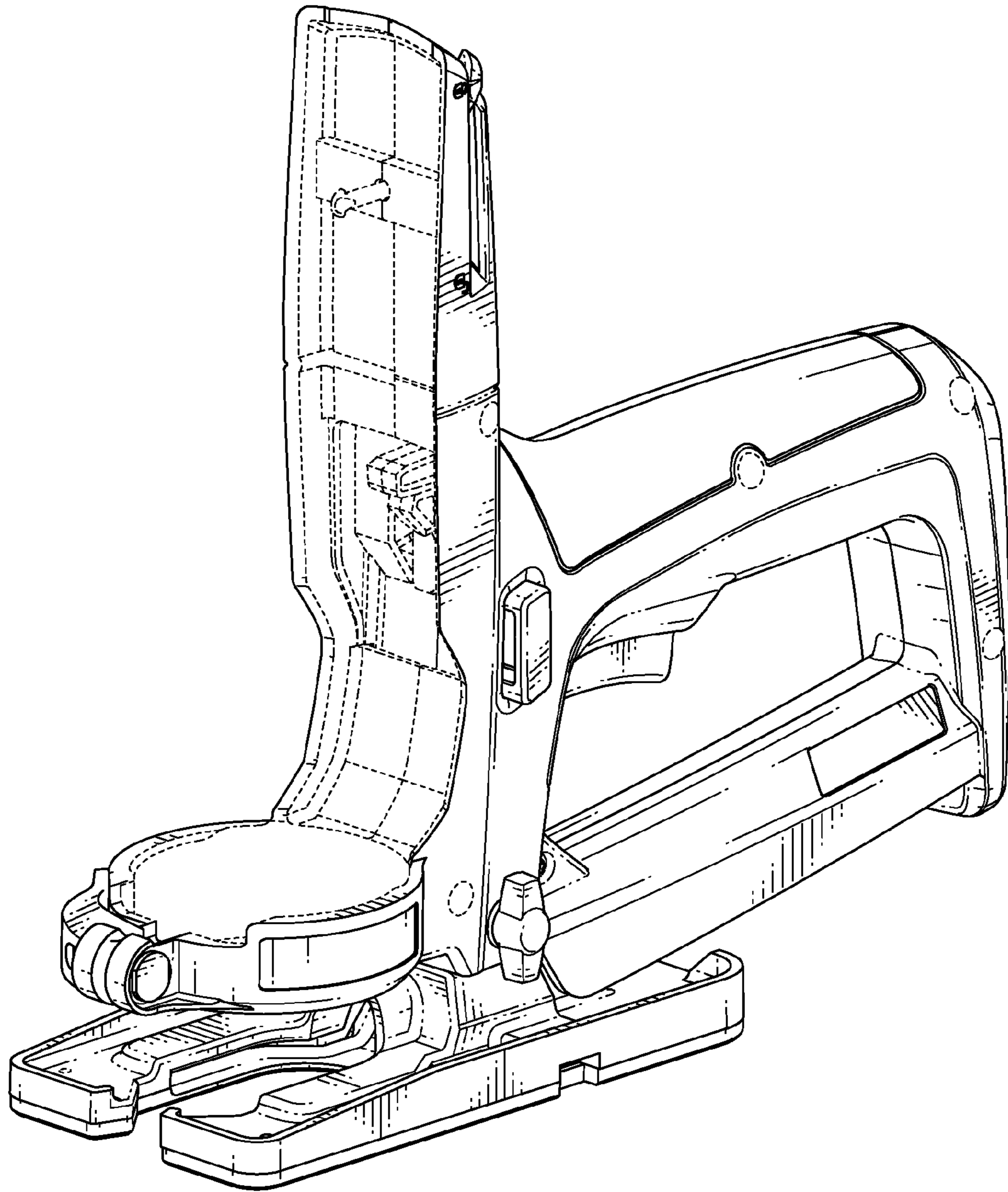


FIG. 1

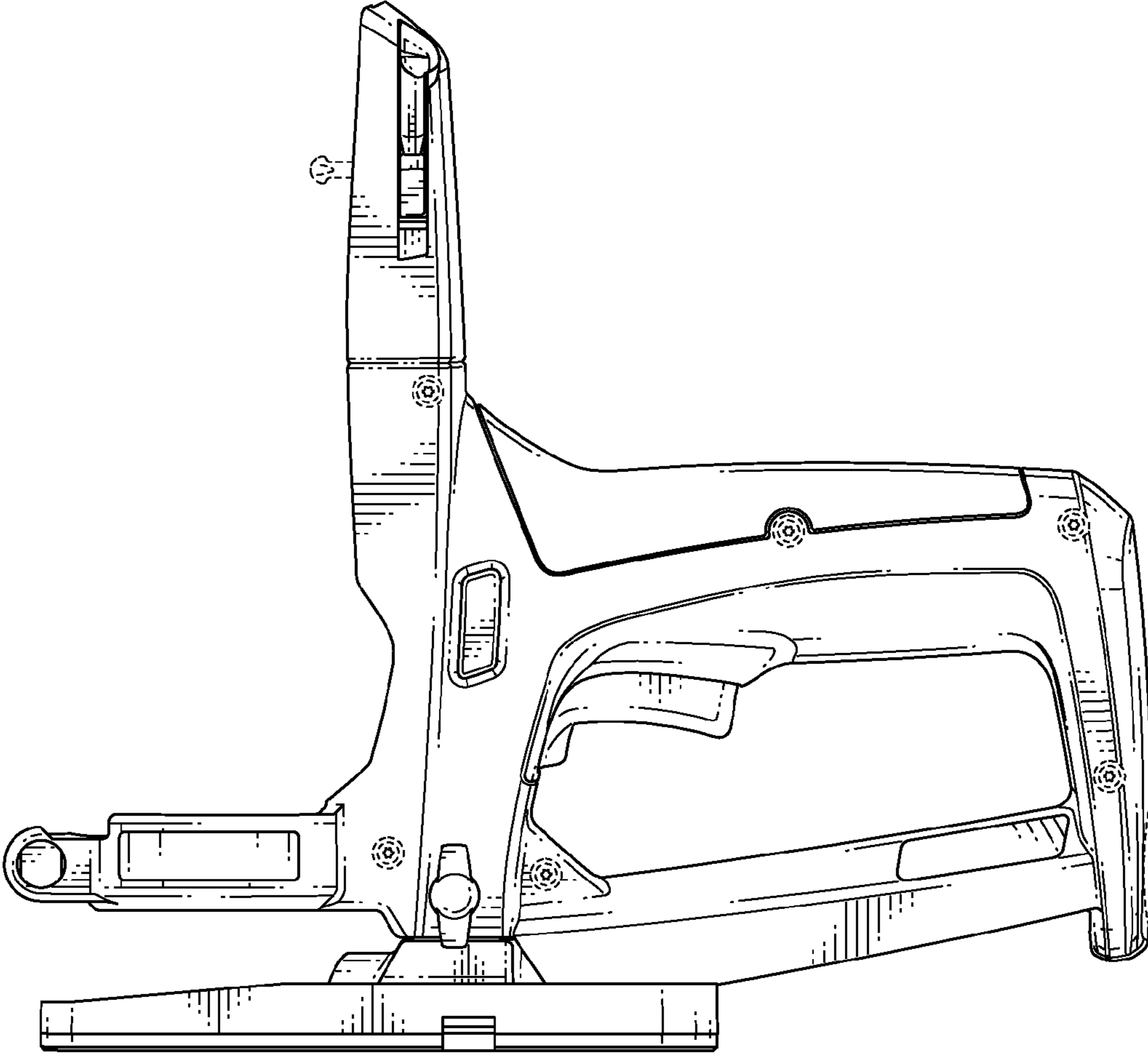


FIG. 2

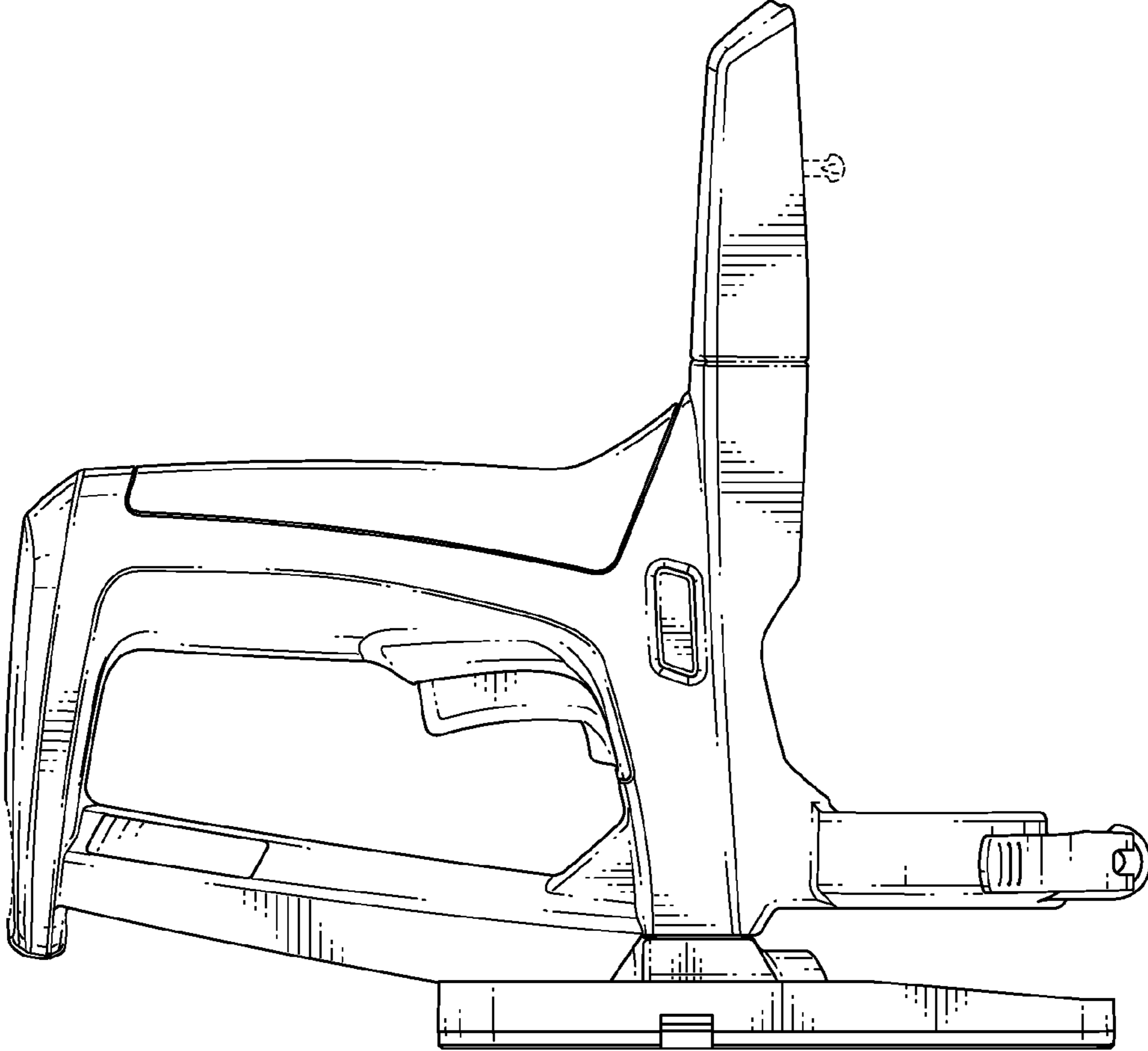


FIG. 3

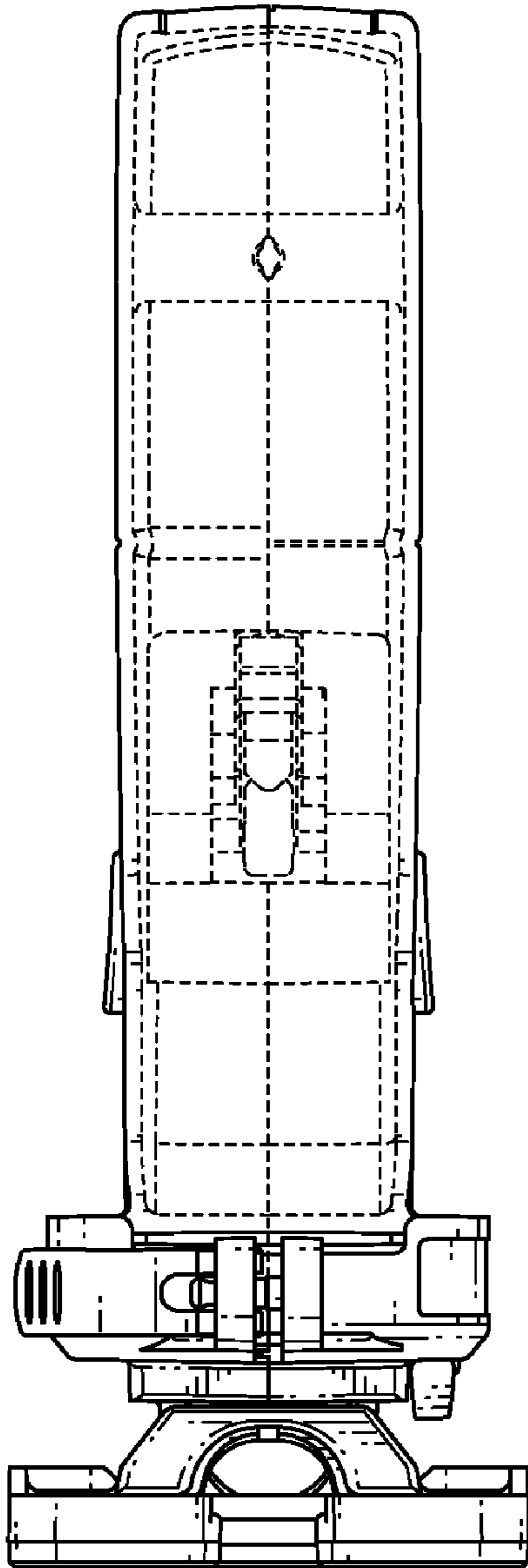


FIG. 4

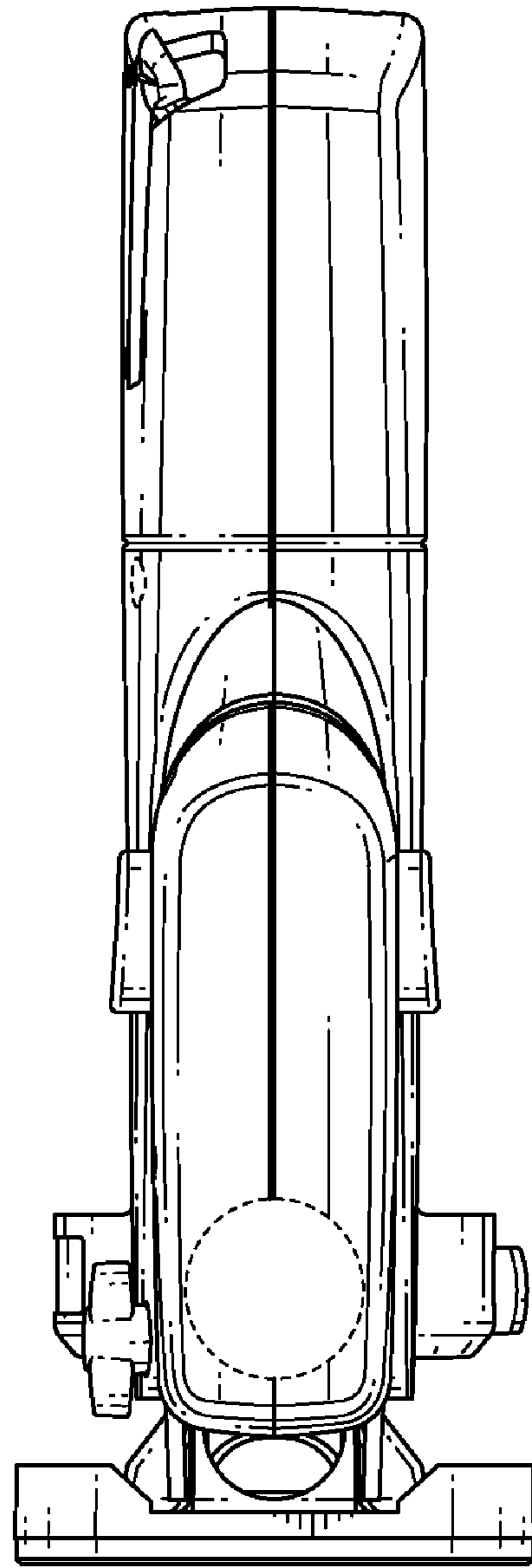


FIG. 5

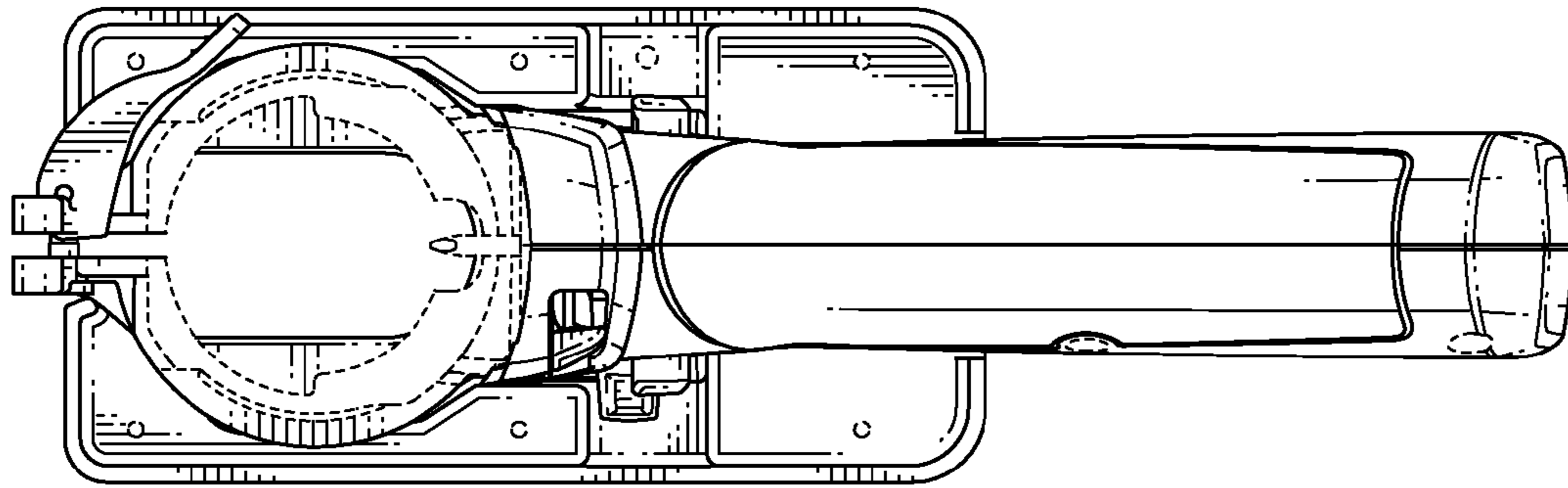


FIG. 6

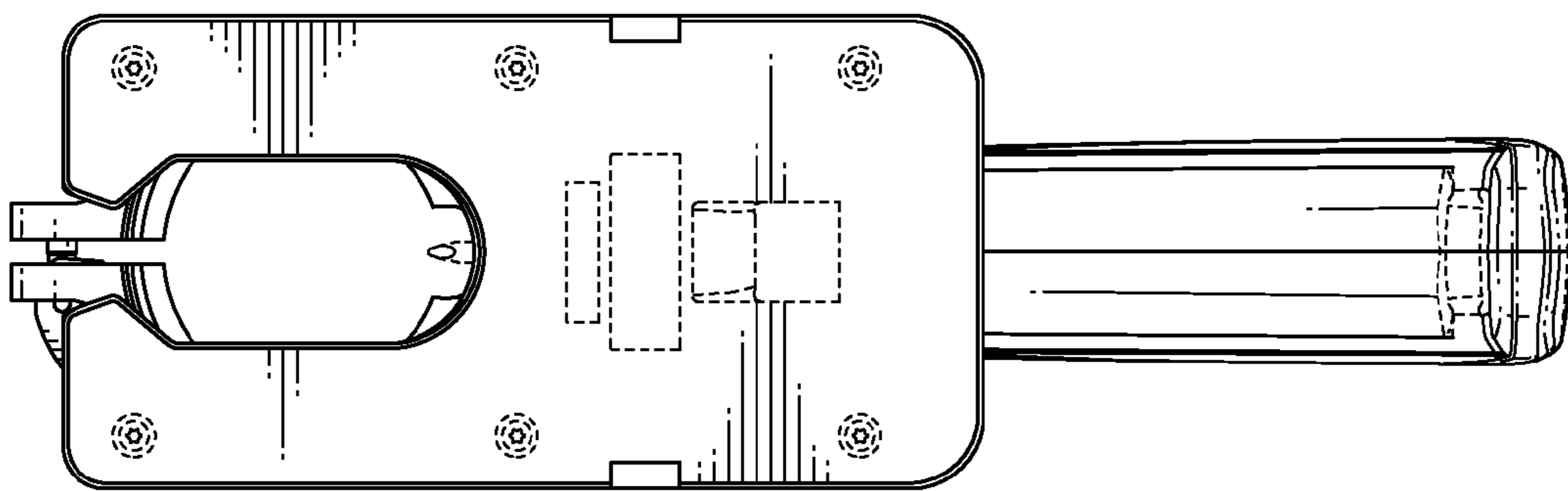


FIG. 7