



US00D632942S

(12) **United States Design Patent**  
**Barhitte et al.**

(10) **Patent No.:** **US D632,942 S**  
(45) **Date of Patent:** **\*\* Feb. 22, 2011**

(54) **RIGHT ANGLE ATTACHMENT FOR A  
ROTARY HAND TOOL**

*Primary Examiner*—Antoine D Davis  
(74) *Attorney, Agent, or Firm*—Greer, Burns & Crain, Ltd.

(75) Inventors: **Josh Barhitte**, Chicago, IL (US); **Hiram  
Aburto**, Puerto Peñasco (MX); **Timothy  
Baker**, Aurora, IL (US); **Dale Selsor Di  
Iulio**, Saukville, WI (US); **Scott  
Micoley**, Cederburg, WI (US)

(57) **CLAIM**

The ornamental design for a right angle attachment for a rotary hand tool, as shown and described.

(73) Assignee: **Robert Bosch Tool Corporation**,  
Broadview, IL (US)

**DESCRIPTION**

FIG. 1 is a left front isomeric view of a right angle attachment for a rotary hand tool;

(\*\*) Term: **14 Years**

FIG. 2 is a left plan view of a right angle attachment for a rotary hand tool shown in FIG. 1;

(21) Appl. No.: **29/355,245**

FIG. 3 is a right plan view of the right angle attachment for a rotary hand tool shown in FIG. 1;

(22) Filed: **Feb. 4, 2010**

FIG. 4 is a front plan view of the right angle attachment for a rotary hand tool shown in FIG. 1;

(51) **LOC (9) Cl.** ..... **08-05**

(52) **U.S. Cl.** ..... **D8/70**

(58) **Field of Classification Search** ..... D8/62,

D8/66-70; 451/344.45, 358, 359

See application file for complete search history.

FIG. 5 is a rear plan view of the right angle attachment for a rotary hand tool shown in FIG. 1;

FIG. 6 is a top plan view of the right angle attachment for a rotary hand tool shown in FIG. 1; and,

FIG. 7 is a bottom plan view of the right angle attachment for a rotary hand tool shown in FIG. 1.

(56) **References Cited**

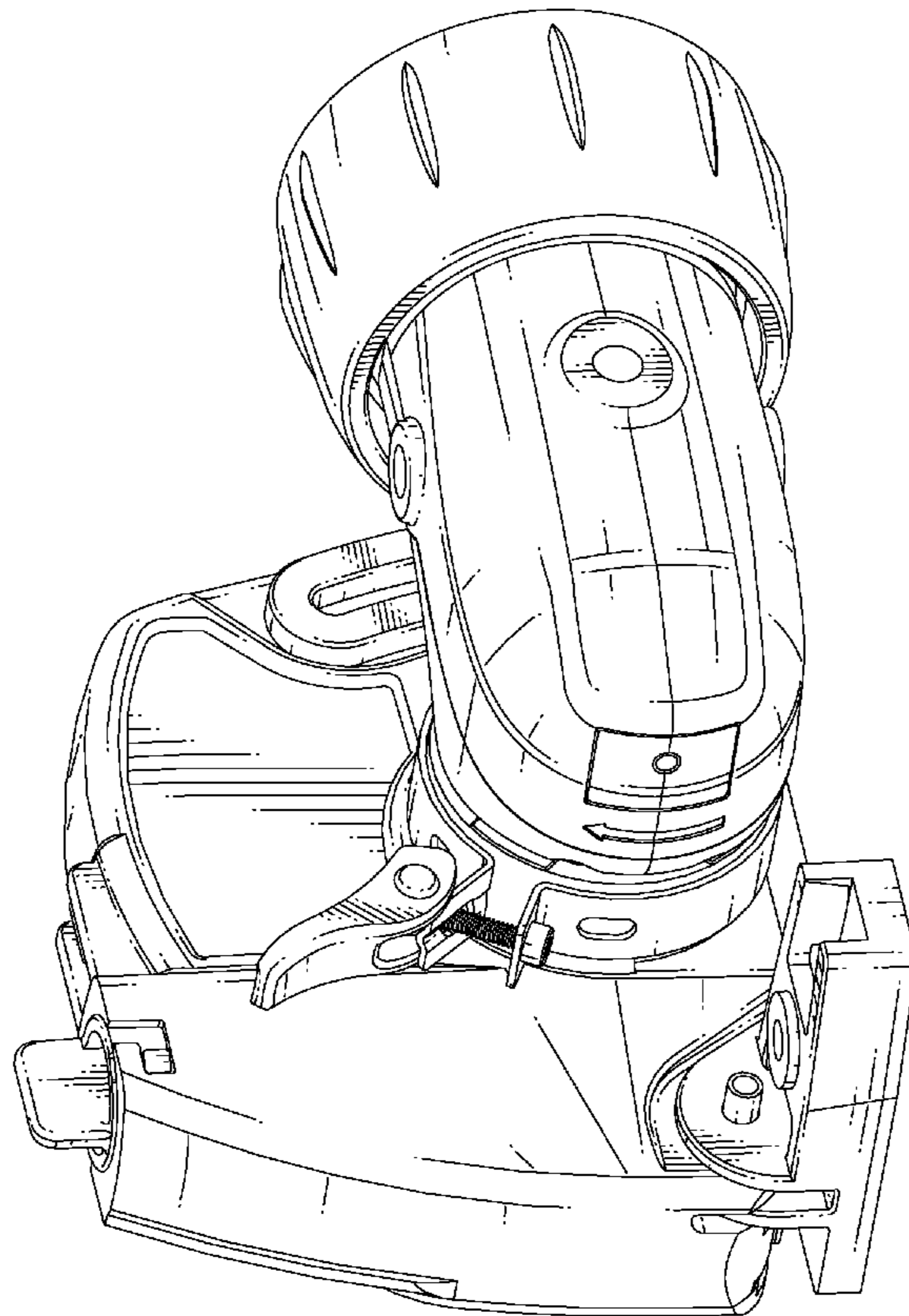
**U.S. PATENT DOCUMENTS**

D609,542 S \* 2/2010 Misaki et al. .... D8/62

The broken line showing of structural features is included for the purpose of illustrating non-claimed subject matter and forms no part of the claimed design.

\* cited by examiner

**1 Claim, 5 Drawing Sheets**



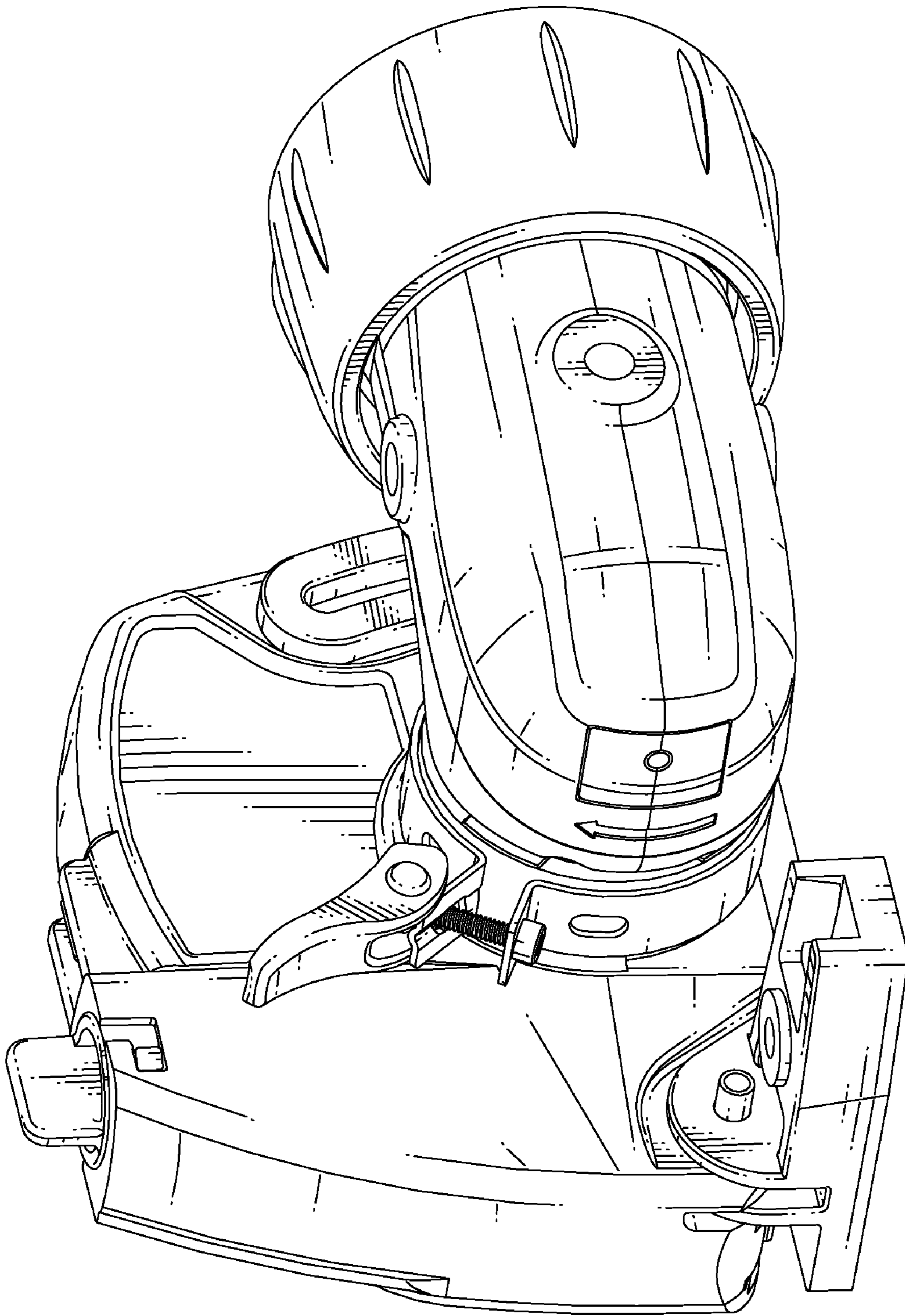


FIG. 1

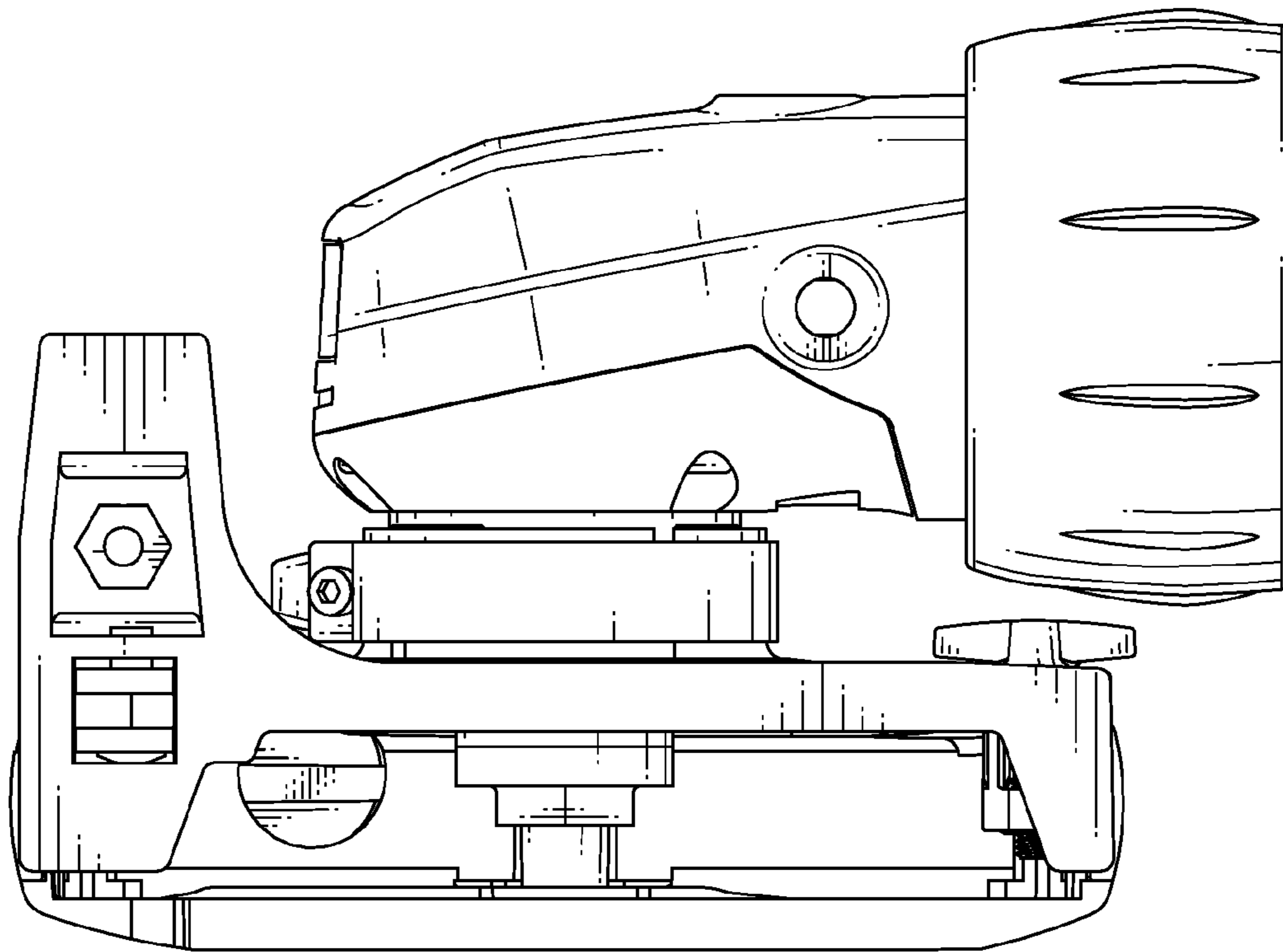


FIG. 2

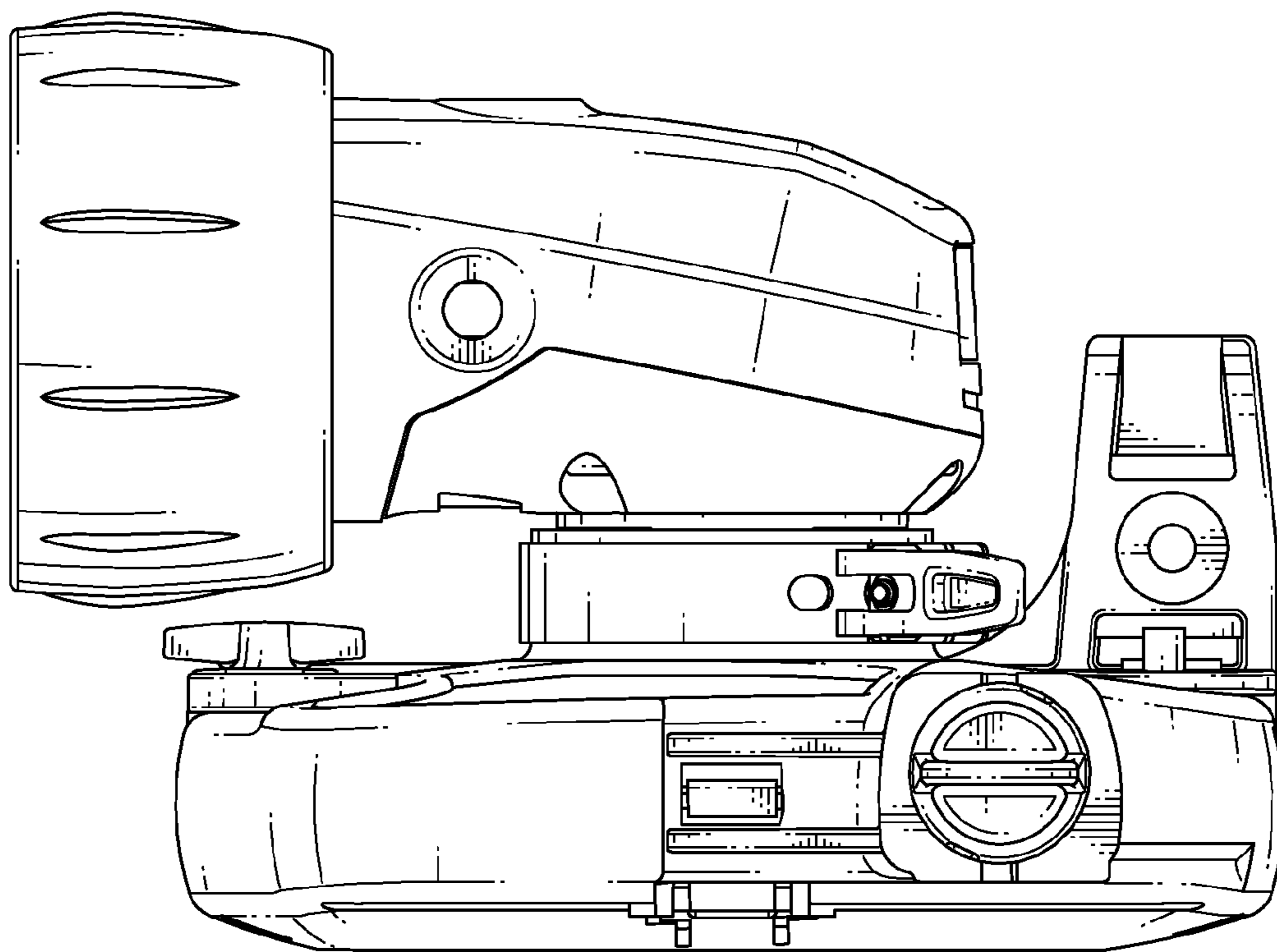


FIG. 3

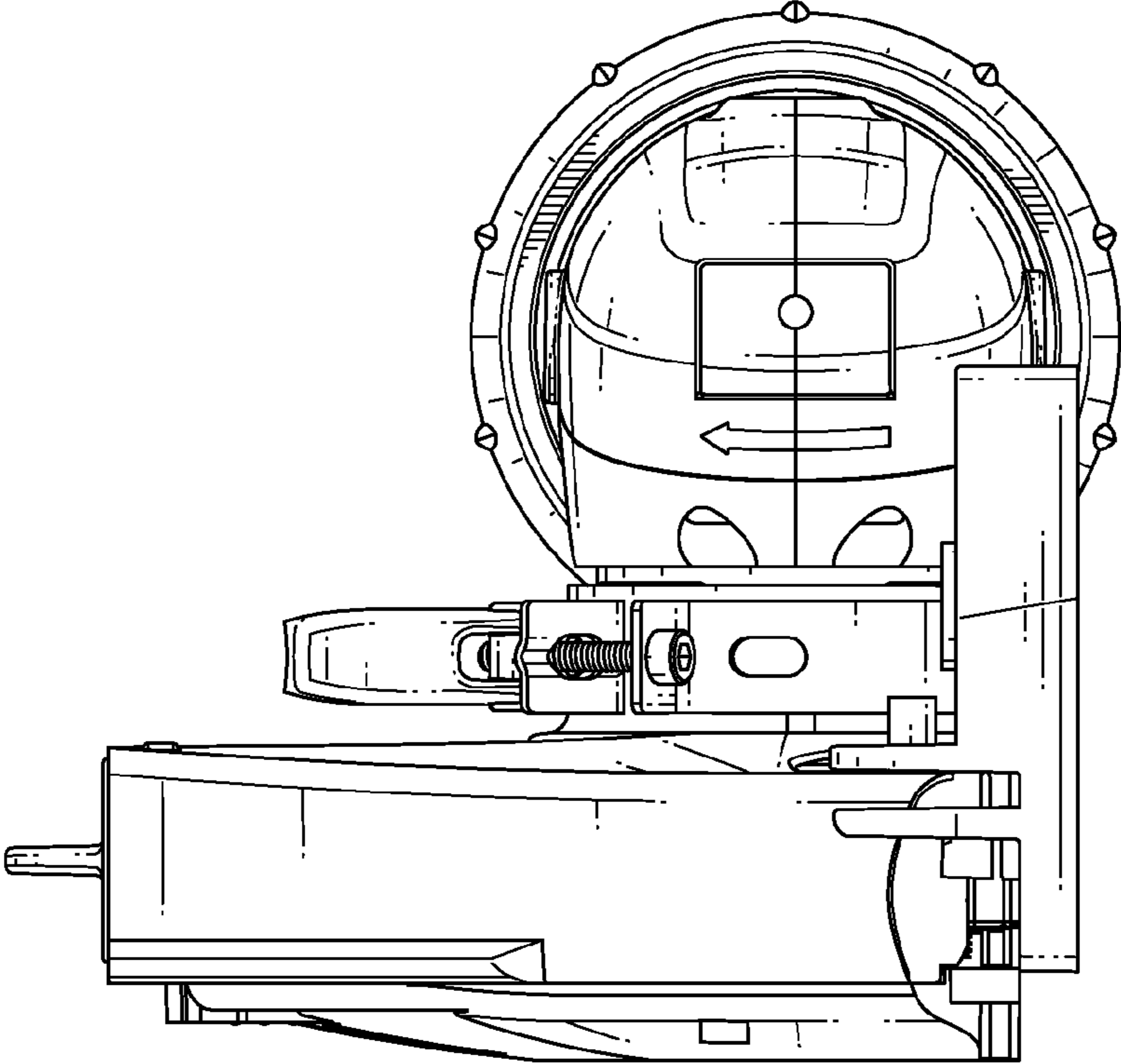


FIG. 4

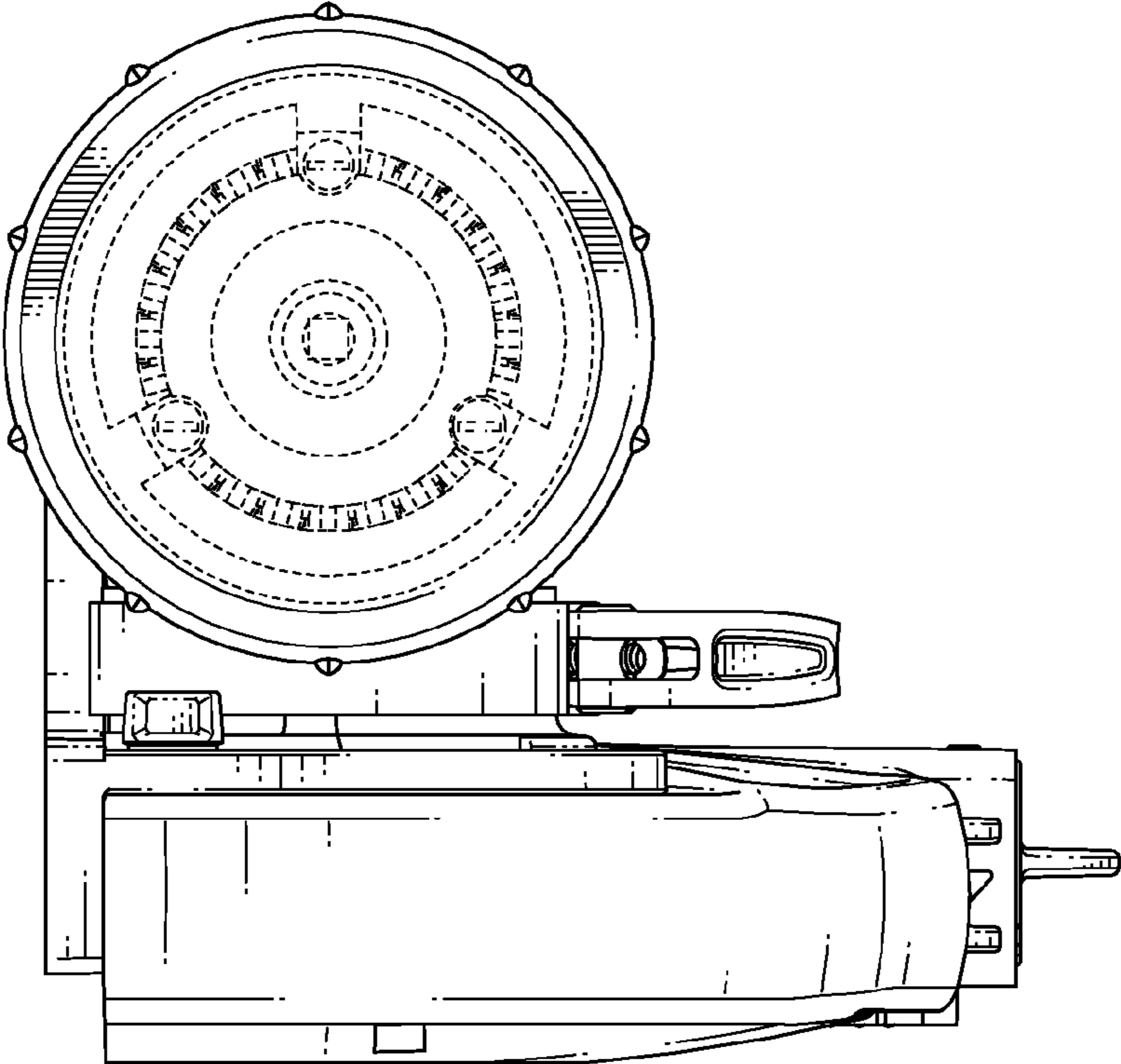


FIG. 5

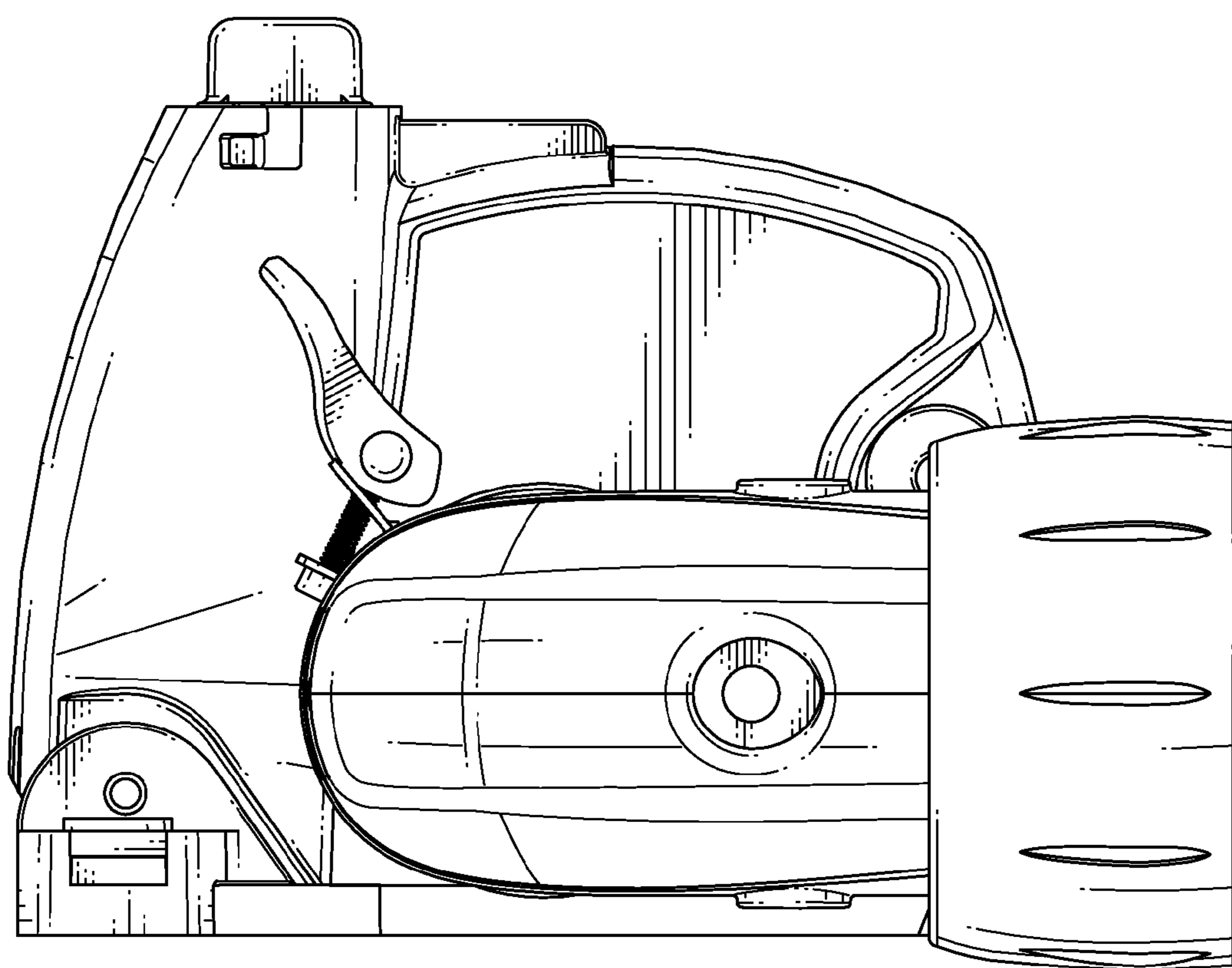


FIG. 6

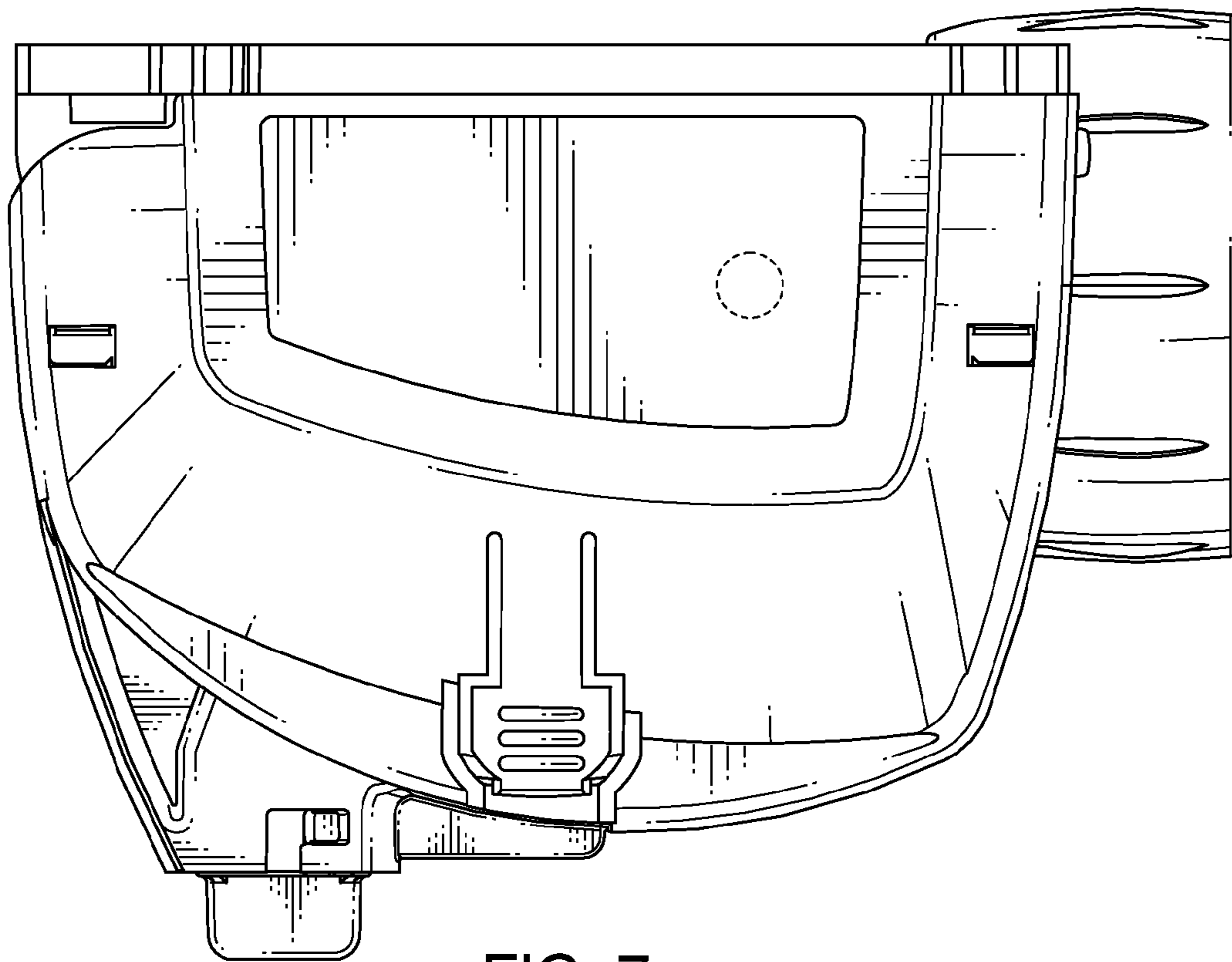


FIG. 7