



US00D632940S

(12) **United States Design Patent**  
**Yamamoto et al.**

(10) **Patent No.:** **US D632,940 S**

(45) **Date of Patent:** **\*\* Feb. 22, 2011**

(54) **PORTABLE ELECTRIC CIRCULAR SAW**

(75) Inventors: **Yuji Yamamoto**, Anjo (JP); **Jian Hao**,  
Jiangsu (CN)

(73) Assignee: **Makita Corporation**, Anjo-shi (JP)

(\*\*) Term: **14 Years**

(21) Appl. No.: **29/360,899**

(22) Filed: **May 3, 2010**

(30) **Foreign Application Priority Data**

Nov. 9, 2009 (JP) ..... 2009-026056

(51) **LOC (9) Cl.** ..... **08-03**

(52) **U.S. Cl.** ..... **D8/66**

(58) **Field of Classification Search** ..... D8/69,  
D8/68, 67, 66, 64, 61, 70; 83/698.41, 747,  
83/166.3, 374, 373, 375, 376, 391, 377, 390,  
83/388, 389; 125/13.01; 144/218; D21/532

See application file for complete search history.

(56) **References Cited**

**U.S. PATENT DOCUMENTS**

D334,523 S \* 4/1993 Hoshino et al. .... D8/66  
D378,488 S 3/1997 Ito et al.  
5,758,425 A \* 6/1998 Gallagher et al. .... 30/376  
5,782,001 A \* 7/1998 Gray ..... 30/391  
5,794,351 A \* 8/1998 Campbell et al. .... 30/390  
5,832,614 A \* 11/1998 Gallagher et al. .... 30/391  
D408,248 S \* 4/1999 Zurwelle et al. .... D8/66  
D503,878 S \* 4/2005 Tillman et al. .... D8/66  
D520,319 S \* 5/2006 Aglassinger ..... D8/66

D522,831 S \* 6/2006 Andriolo ..... D8/66  
D522,832 S \* 6/2006 Hastie ..... D8/66  
D528,391 S 9/2006 Netzler  
D538,124 S \* 3/2007 Yamamoto et al. .... D8/66  
D539,108 S \* 3/2007 Roberts ..... D8/66  
D552,953 S \* 10/2007 Jones ..... D8/66  
D559,645 S \* 1/2008 Okuda et al. .... D8/66  
D567,612 S \* 4/2008 Wright et al. .... D8/66  
D573,432 S \* 7/2008 Gavins ..... D8/66  
D578,853 S \* 10/2008 Gallagher et al. .... D8/66

\* cited by examiner

*Primary Examiner*—Austin Murphy

(74) *Attorney, Agent, or Firm*—Oliff & Berridge

(57) **CLAIM**

The ornamental design for a portable electric circular saw, as shown and described.

**DESCRIPTION**

FIG. 1 is a perspective view of a portable electric circular saw showing our new design;

FIG. 2 is a front elevation view thereof;

FIG. 3 is a rear elevation view thereof;

FIG. 4 is a left side elevation view thereof;

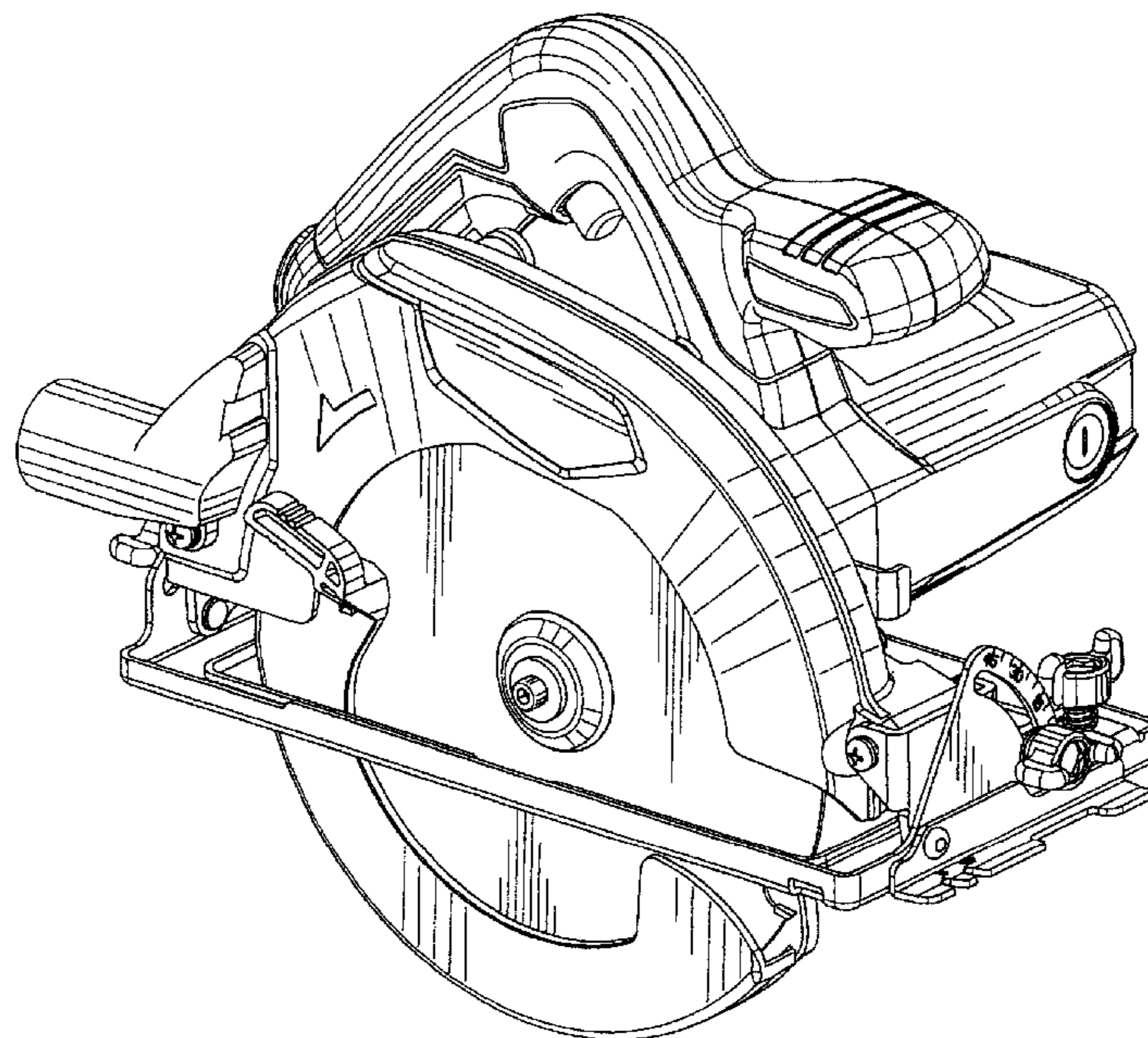
FIG. 5 is a right side elevation view thereof;

FIG. 6 is a top plan view thereof; and,

FIG. 7 is a bottom plan view thereof.

The broken lines depict unclaimed portions of the portable electric circular saw only and form no part of the claimed design.

**1 Claim, 7 Drawing Sheets**



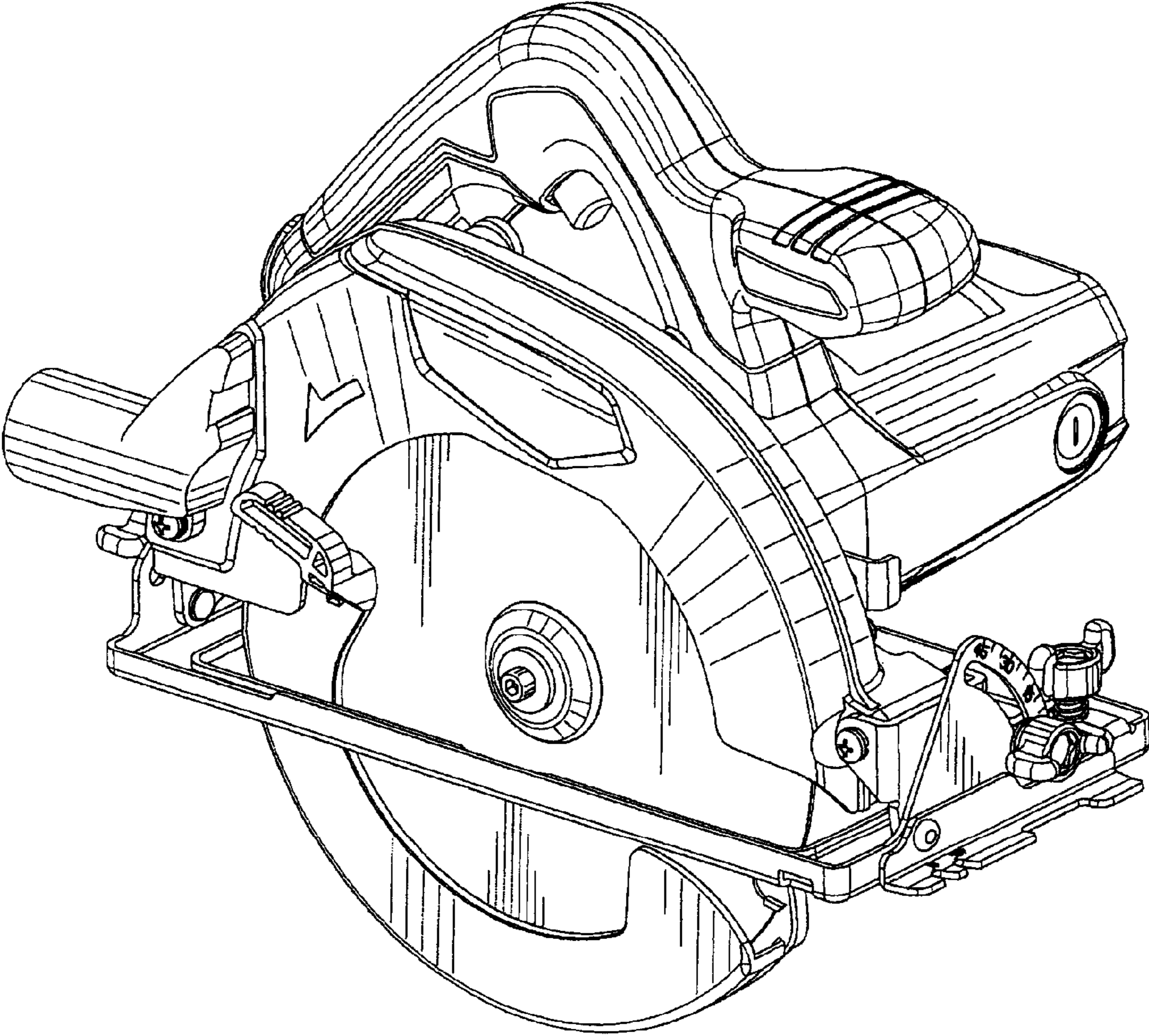


FIG. 1

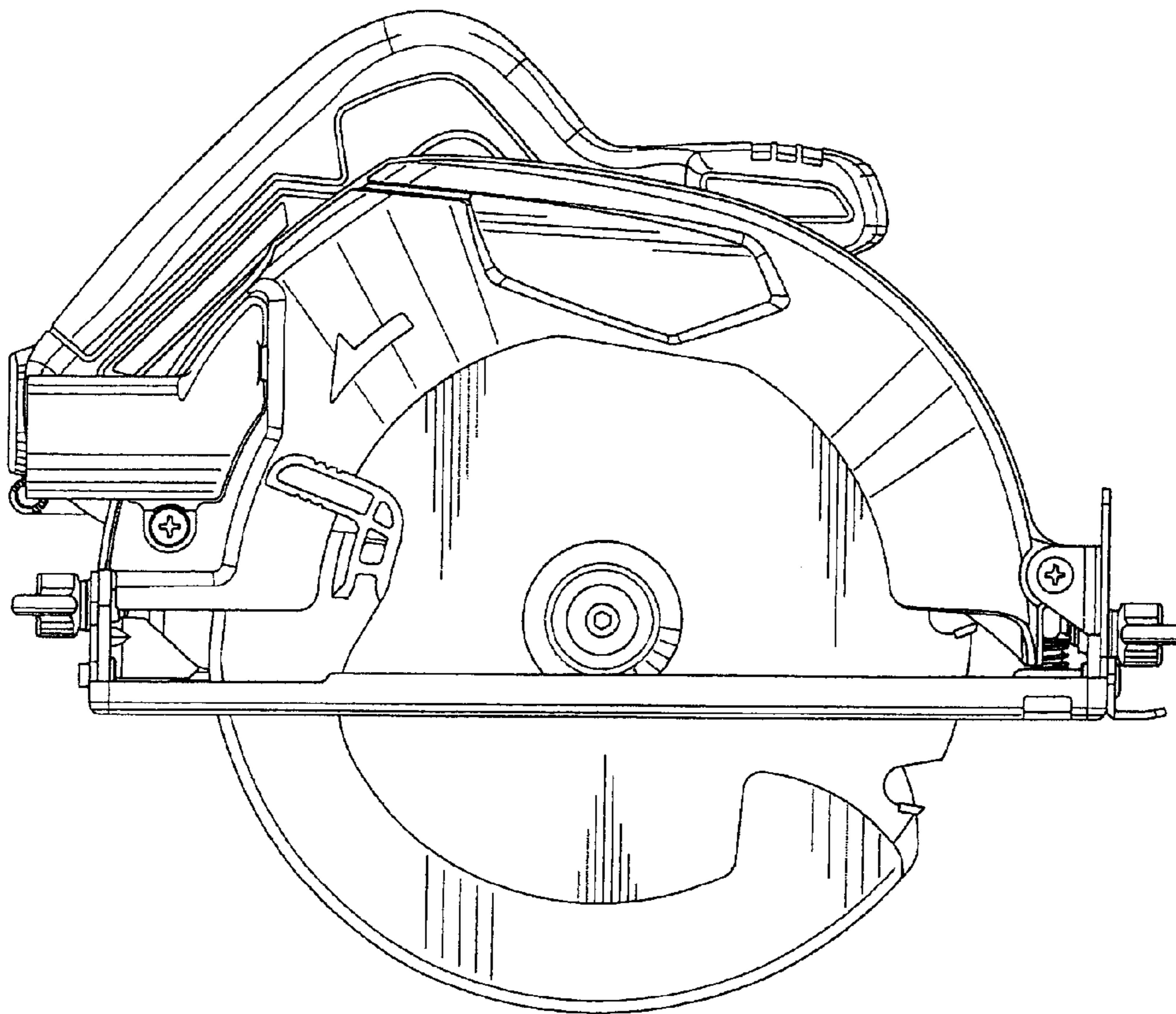


FIG. 2

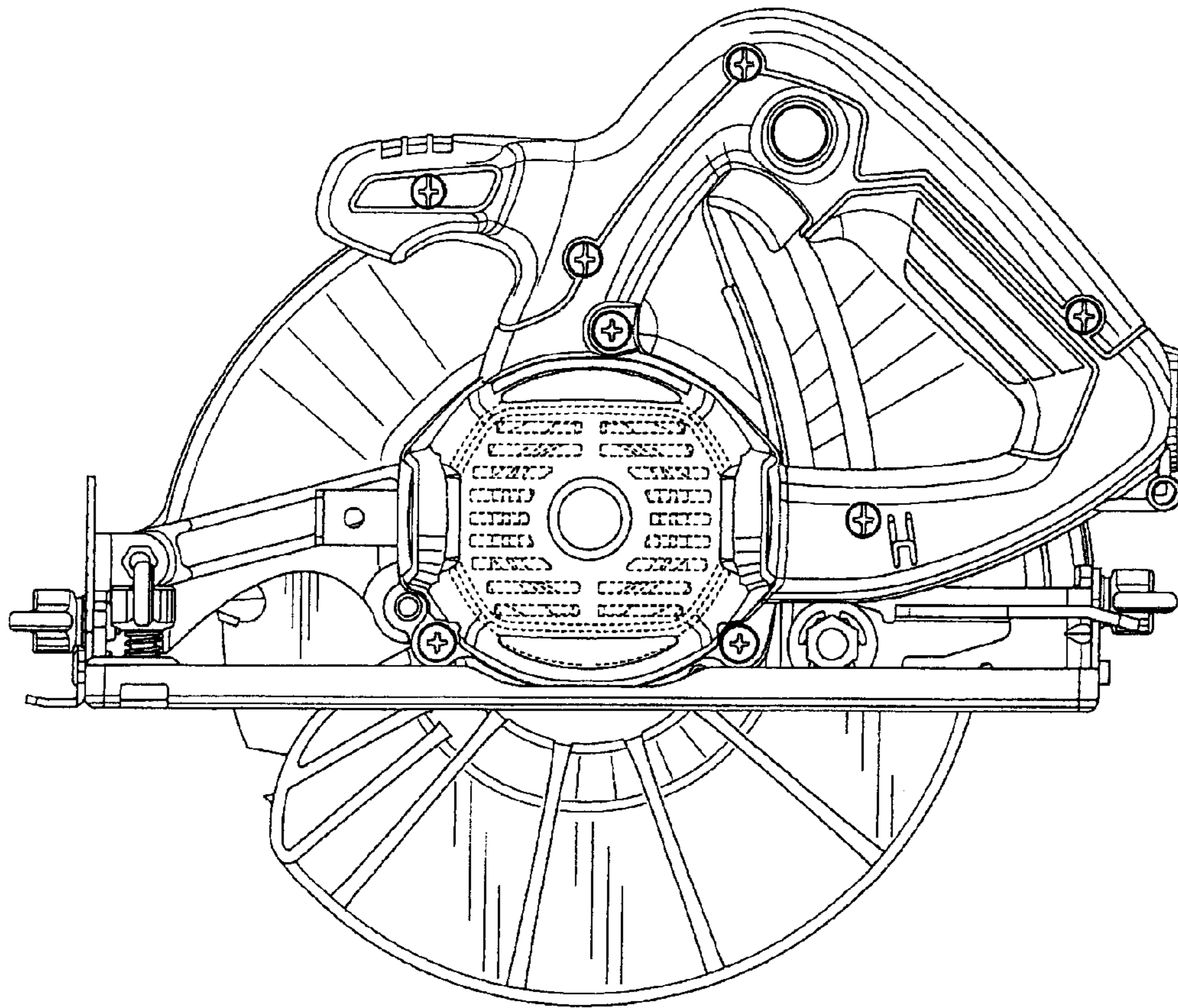


FIG. 3

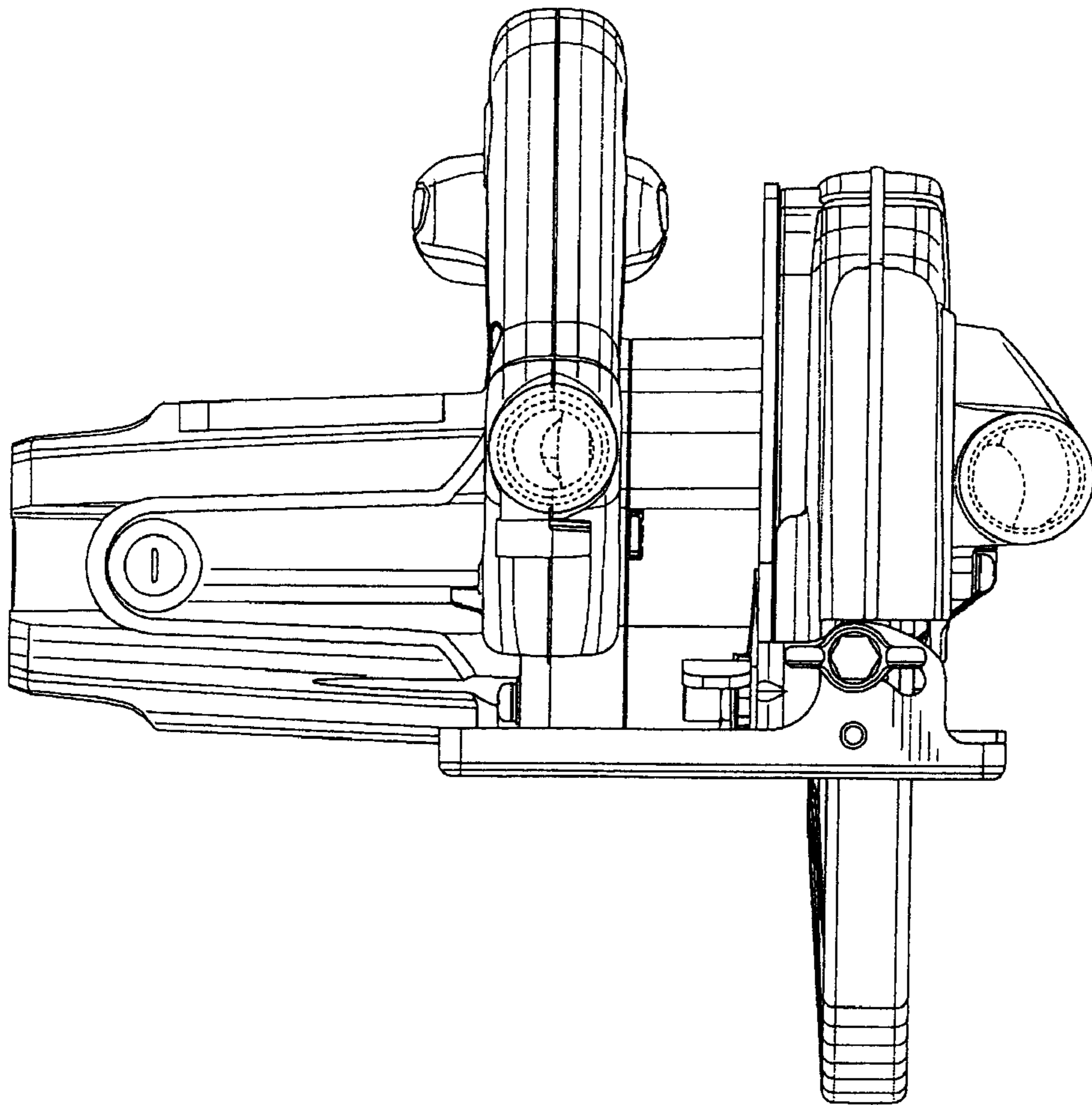


FIG. 4

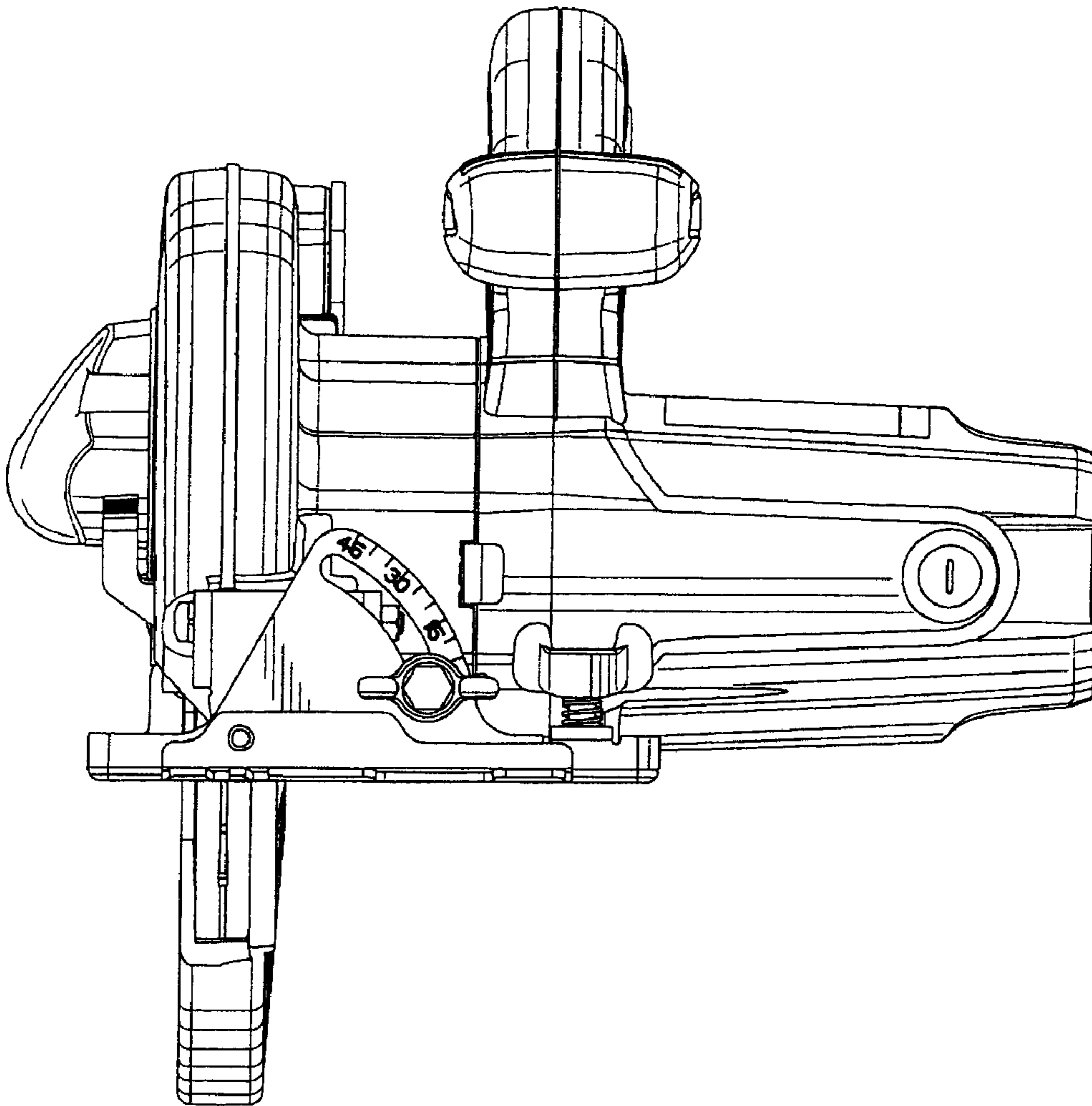


FIG. 5

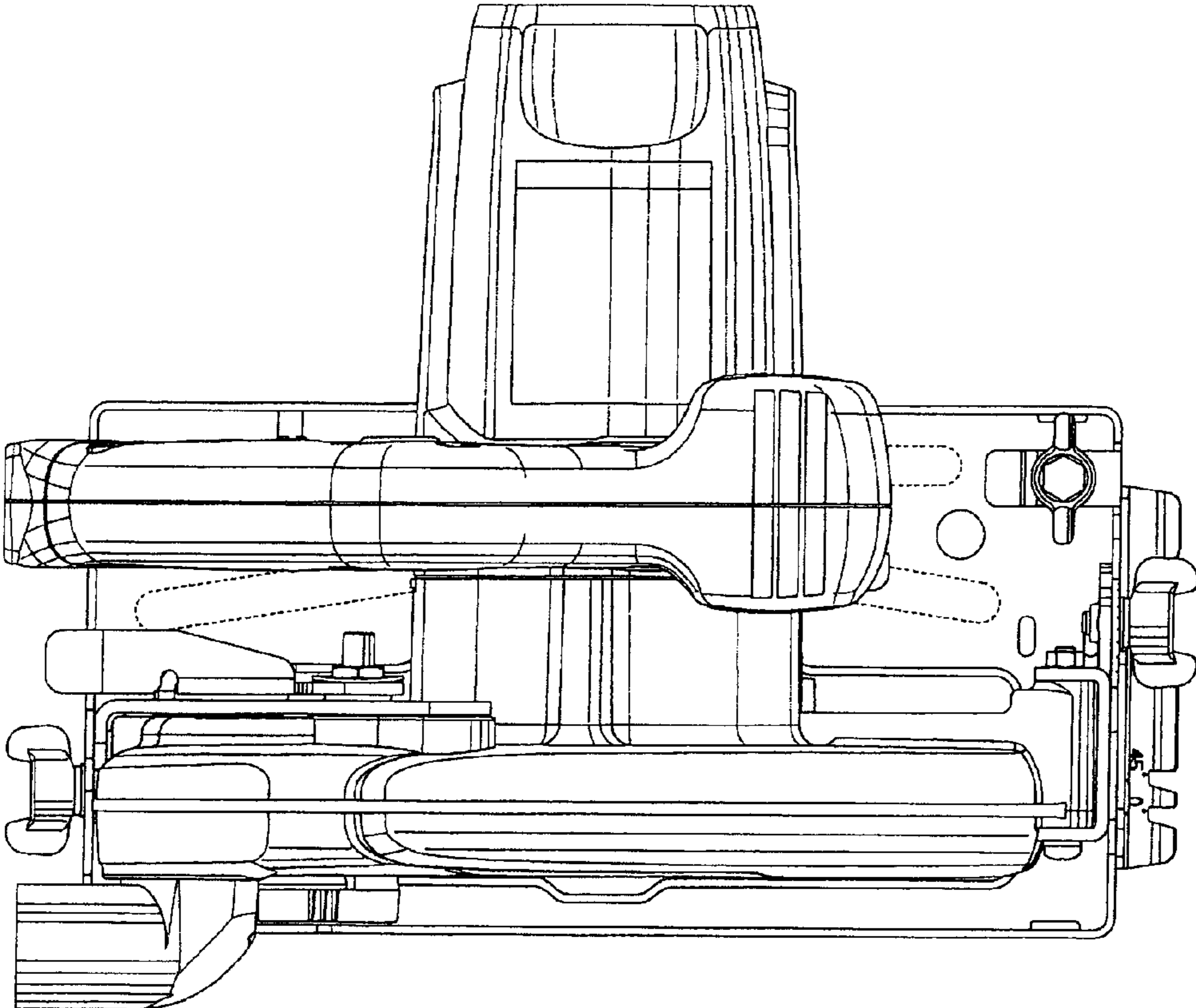


FIG. 6

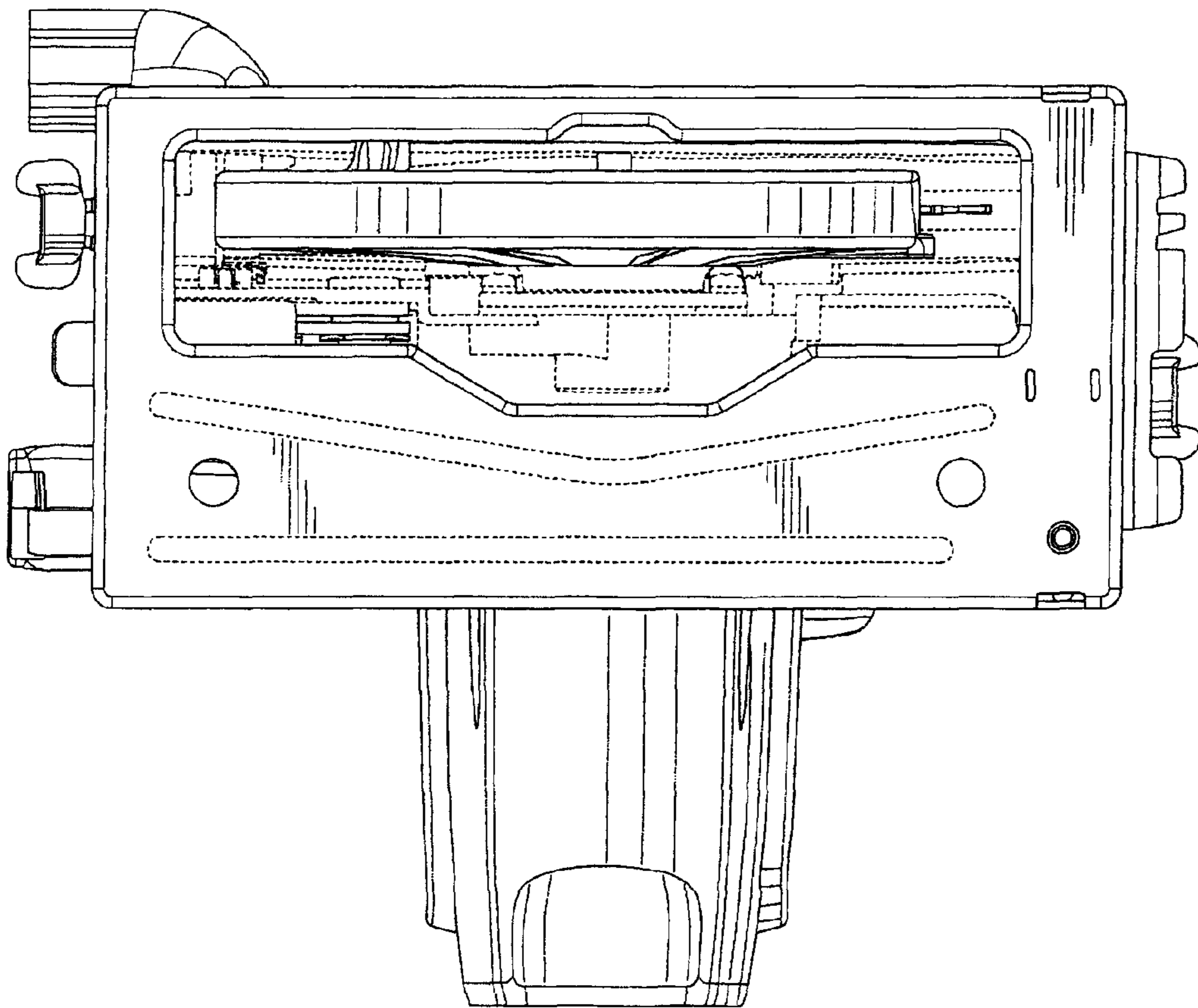


FIG. 7