



US00D632938S

(12) **United States Design Patent**
Papenfuss

(10) **Patent No.:** **US D632,938 S**

(45) **Date of Patent:** **** Feb. 22, 2011**

(54) **CUTTING IMPLEMENT**

(75) Inventor: **Andreas Papenfuss**, Weimar (DE)

(73) Assignee: **Faber-Castell Aktiengesellschaft**, Stein (DE)

(**) Term: **14 Years**

(21) Appl. No.: **29/346,286**

(22) Filed: **Oct. 29, 2009**

(51) **LOC (9) Cl.** **08-03**

(52) **U.S. Cl.** **D8/57**

(58) **Field of Classification Search** D8/4,
D8/5, 51-58, 105, 107; D21/532; D28/44,
D28/57; 7/135, 136; 30/131, 195, 229, 194,
30/230-235, 268, 350, 254-258

See application file for complete search history.

(56) **References Cited**

U.S. PATENT DOCUMENTS

D395,992	S *	7/1998	Bennett et al.	D8/57
5,781,999	A *	7/1998	Chang	30/260
D450,554	S *	11/2001	Stokes	D8/57
D455,942	S *	4/2002	Gstalder	D8/57
D456,229	S *	4/2002	Gstalder	D8/57
D456,230	S *	4/2002	Gstalder	D8/57
D470,026	S *	2/2003	DiPalma	D8/57
D473,438	S *	4/2003	Manson et al.	D8/57
6,651,345	B1 *	11/2003	Adachi	30/195
6,739,057	B2 *	5/2004	Schallenberg	30/232
D502,853	S *	3/2005	Peterson	D8/57
D503,077	S *	3/2005	Welsh	D8/57
D523,307	S *	6/2006	Chang	D8/57
7,260,894	B2 *	8/2007	Zammitto	30/232
7,373,728	B2 *	5/2008	Ferman et al.	33/514.1
D591,123	S *	4/2009	Peterson et al.	D8/57

D591,124 S * 4/2009 Peterson et al. D8/57
2007/0019309 A1 * 1/2007 Neal et al. 359/844

OTHER PUBLICATIONS

Faber-Castell Sales Folder, May 2009.
Paperworld, Jan. 2009.

* cited by examiner

Primary Examiner—Cathron C Brooks

Assistant Examiner—Deanna Fluegeman

(74) *Attorney, Agent, or Firm*—Calfee, Halter & Griswold LLP

(57) **CLAIM**

I claim the ornamental design for a cutting implement, as shown and described.

DESCRIPTION

FIG. 1 is a rear/right/top perspective view of the cutting implement;

FIG. 2 is a top plan view thereof;

FIG. 3 is a bottom plan view thereof;

FIG. 4 is a right elevational view thereof;

FIG. 5 is a left elevational view thereof;

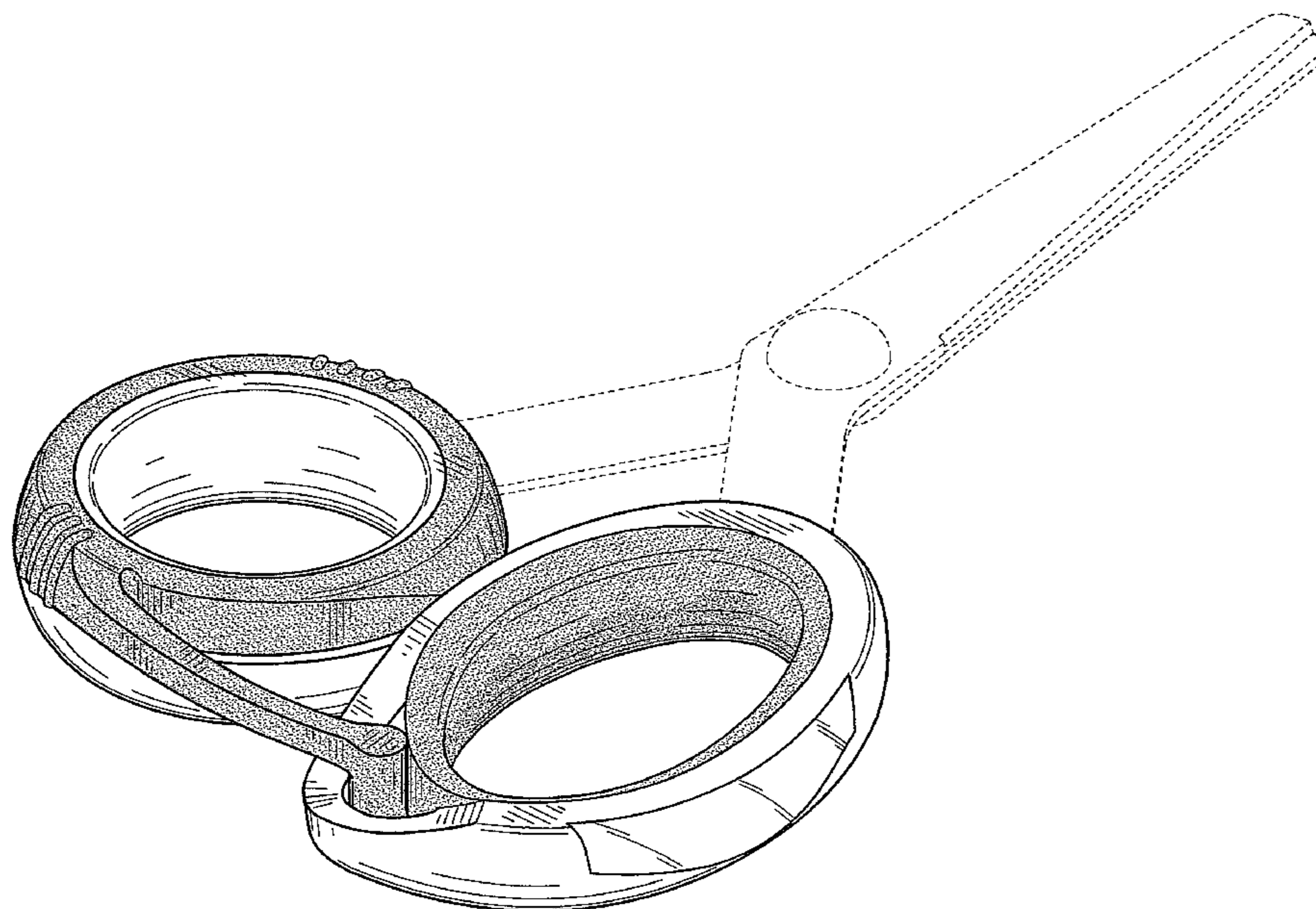
FIG. 6 is a front elevational view thereof; and,

FIG. 7 is a rear elevational view thereof.

The stippled areas in the drawings represent portions of the cutting implement that have a contrasting appearance to the unstippled portions of the cutting implement. The oblique line shading on the right handle, best seen in FIG. 4, indicates that the feature is transparent.

The broken lines in the drawings illustrate unclaimed environment and form no part of the claimed design.

1 Claim, 4 Drawing Sheets



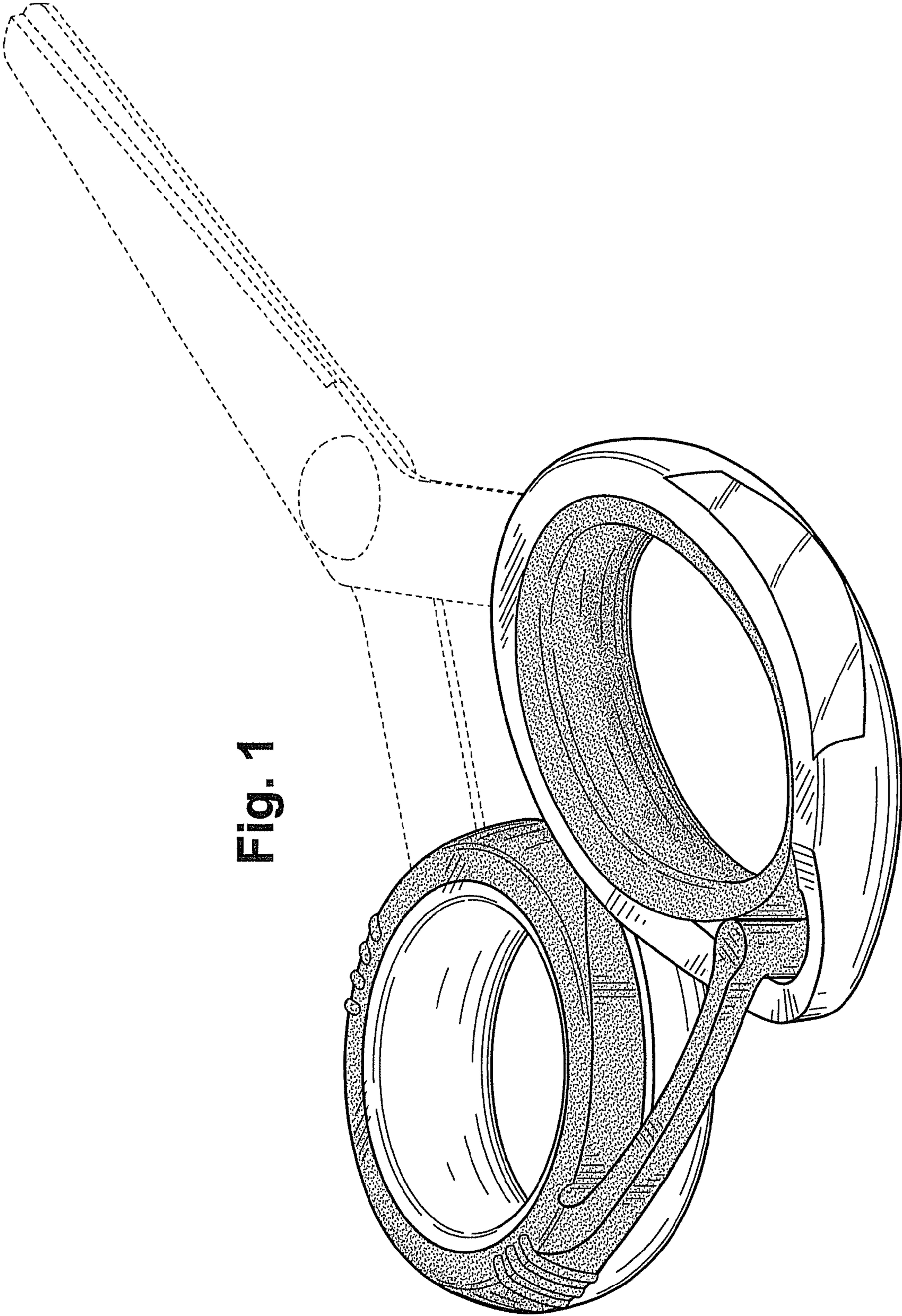


Fig. 1

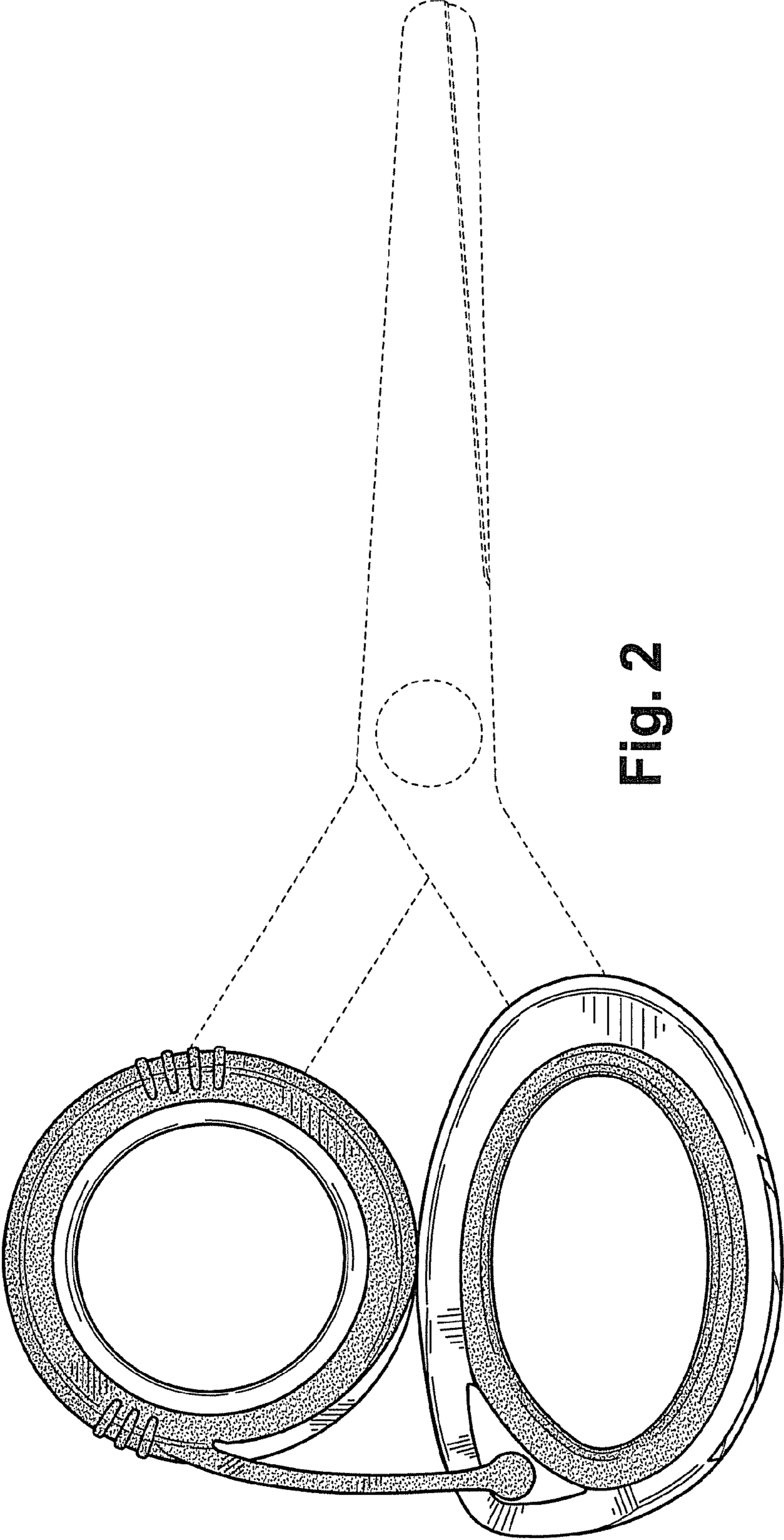


Fig. 2

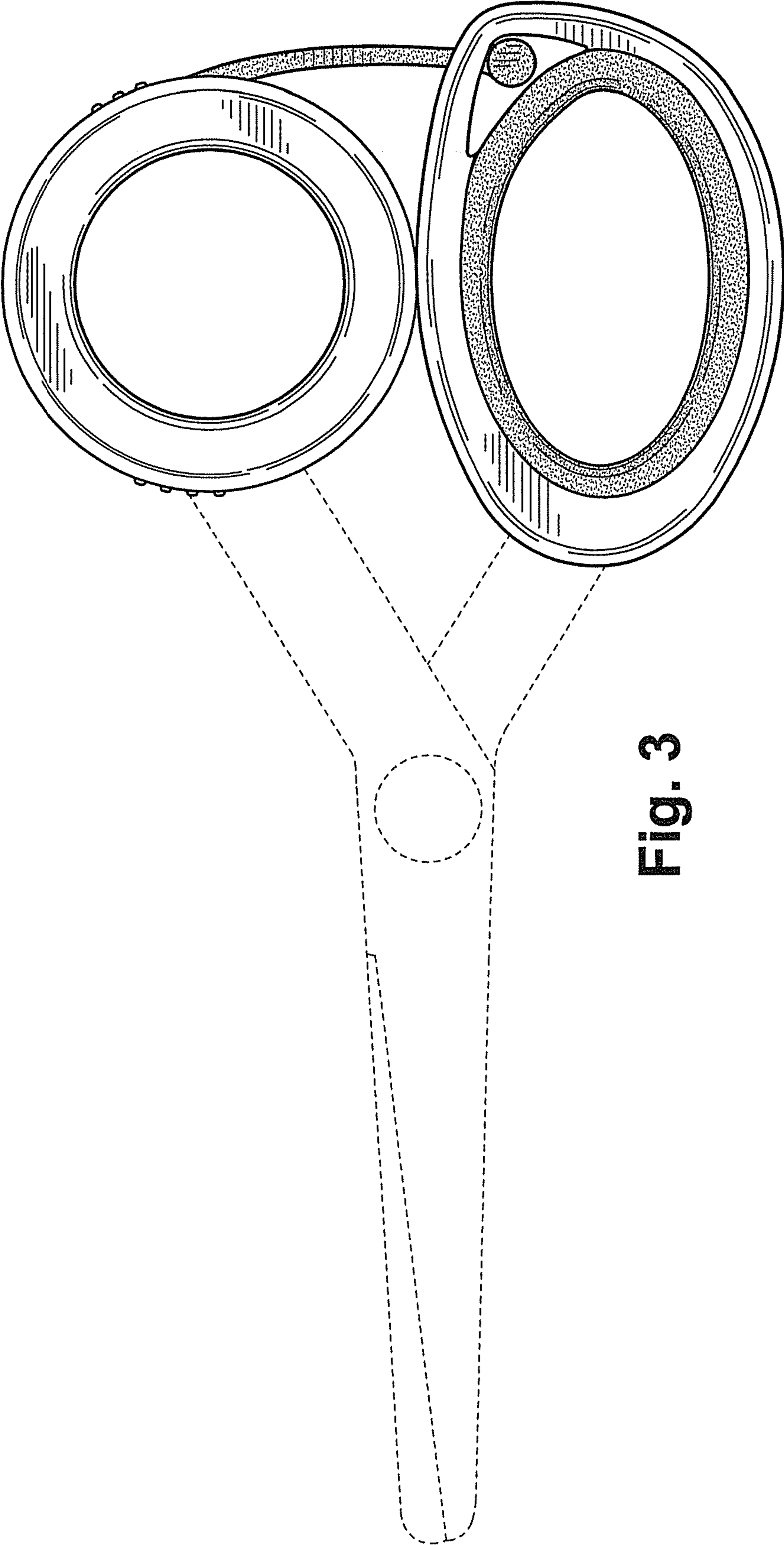


Fig. 3

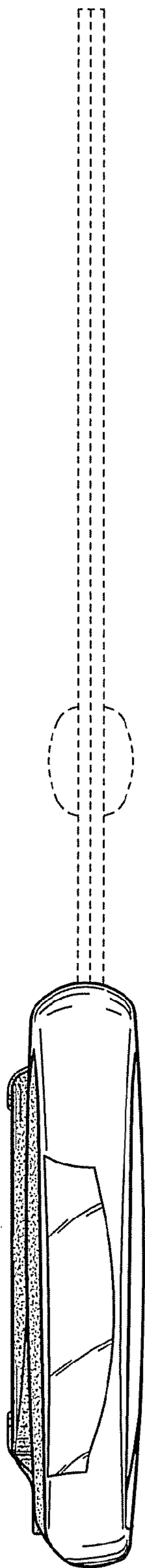


Fig. 4

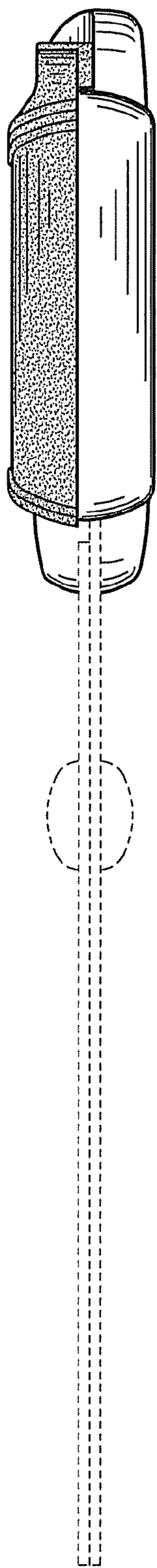


Fig. 5

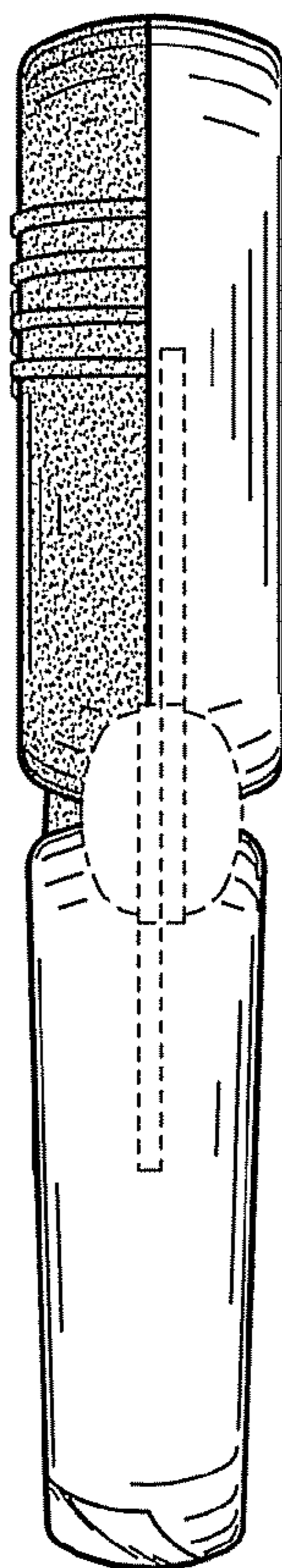


Fig. 6

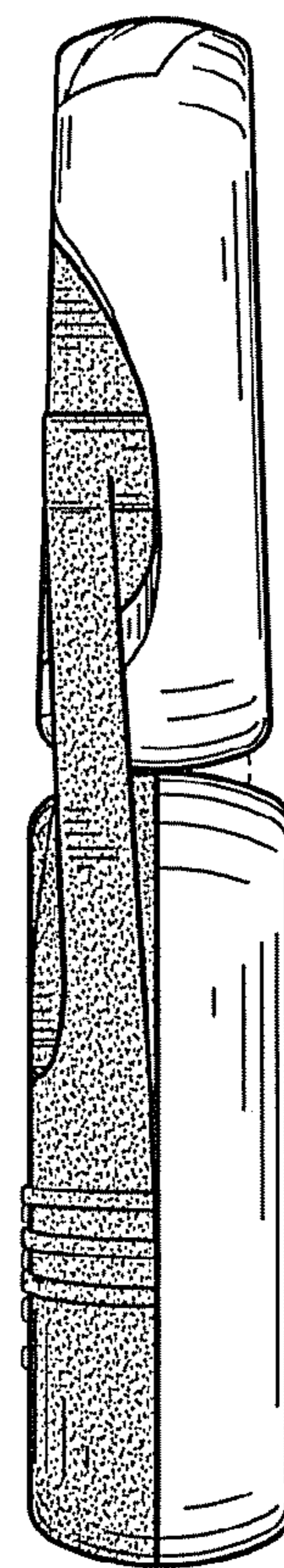


Fig. 7