

US00D632937S

(12) **United States Design Patent**
Montross

(10) **Patent No.:** **US D632,937 S**

(45) **Date of Patent:** **** Feb. 22, 2011**

(54) **MATTRESS LIFT**

(76) **Inventor:** **Sam Montross**, 2805 E. Oakland Park
Blvd., Unit 217, Fort Lauderdale, FL
(US) 33306

(**) **Term:** **14 Years**

(21) **Appl. No.:** **29/368,012**

(22) **Filed:** **Aug. 17, 2010**

Related U.S. Application Data

(62) Division of application No. 29/336,748, filed on May 8, 2009, now Pat. No. Des. 622,569.

(51) **LOC (9) Cl.** **08-05**

(52) **U.S. Cl.** **D8/47**

(58) **Field of Classification Search** D8/14,
D8/47, 88-89, 98, 107, 402; 254/104; 292/342
See application file for complete search history.

(56) **References Cited**

U.S. PATENT DOCUMENTS

159,949	A *	2/1875	McDermott	254/104
165,984	A *	7/1875	Cosbey	254/104
188,376	A *	3/1877	Kelly	254/104
466,104	A *	12/1891	Naegele	292/343
542,559	A *	7/1895	Harmon	254/104
D31,941	S *	12/1899	Root	D8/88
759,868	A *	5/1904	Eioh	254/104
1,192,719	A *	7/1916	Wells	254/104
1,195,423	A *	8/1916	Waters	254/104
D107,109	S *	11/1937	Carter	D8/47
2,733,894	A *	2/1956	Overman	254/104
3,185,442	A *	5/1965	Hemphill	254/104
3,377,052	A *	4/1968	Hagen	254/104
3,381,937	A *	5/1968	Zillman	254/104
D238,745	S *	2/1976	Bedard et al.	D8/47

4,433,463	A *	2/1984	DuVal	29/239
4,451,024	A *	5/1984	Shepherd	254/104
D286,008	S *	10/1986	Hillinger	D8/47
D317,482	S *	6/1991	Michaelsen et al.	D8/88
5,290,012	A *	3/1994	Cottriel et al.	254/104
5,374,033	A *	12/1994	Tilman	254/104
RE34,889	E *	4/1995	Fogarty et al.	14/69.5
5,690,316	A *	11/1997	Madjarac	254/104
D410,380	S *	6/1999	Towns	D8/402
D590,676	S *	4/2009	Pickard	D8/47
7,581,270	B1 *	9/2009	Levesque	5/660
D602,324	S *	10/2009	Hancock et al.	D8/98
7,644,964	B2 *	1/2010	Bushey et al.	292/342
7,707,669	B1 *	5/2010	Richardson	5/660

* cited by examiner

Primary Examiner—Philip S Hyder
Assistant Examiner—Roselynn Cody

(57) **CLAIM**

The ornamental design for a mattress lift, as shown and described.

DESCRIPTION

FIG. 1 is perspective view of a mattress lift showing my new design;

FIG. 2 is another perspective view thereof;

FIG. 3 is a front elevation view thereof;

FIG. 4 is a rear elevation view thereof;

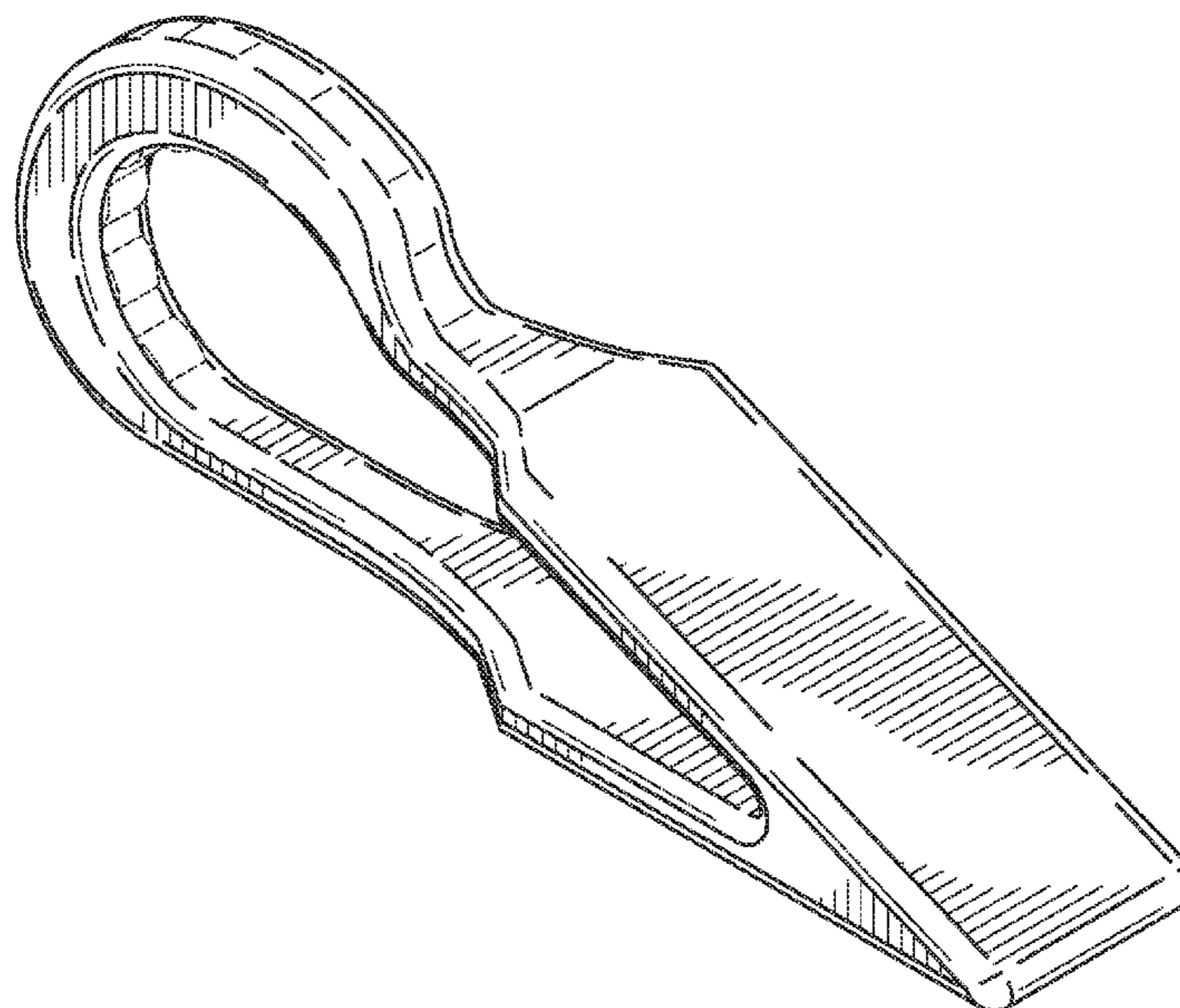
FIG. 5 is a side elevation view thereof;

FIG. 6 is a top plan view thereof; and,

FIG. 7 is a bottom plan view thereof.

The broken lines in FIGS. 1 and 5, which define the bounds of the claimed design, form no part thereof.

1 Claim, 4 Drawing Sheets



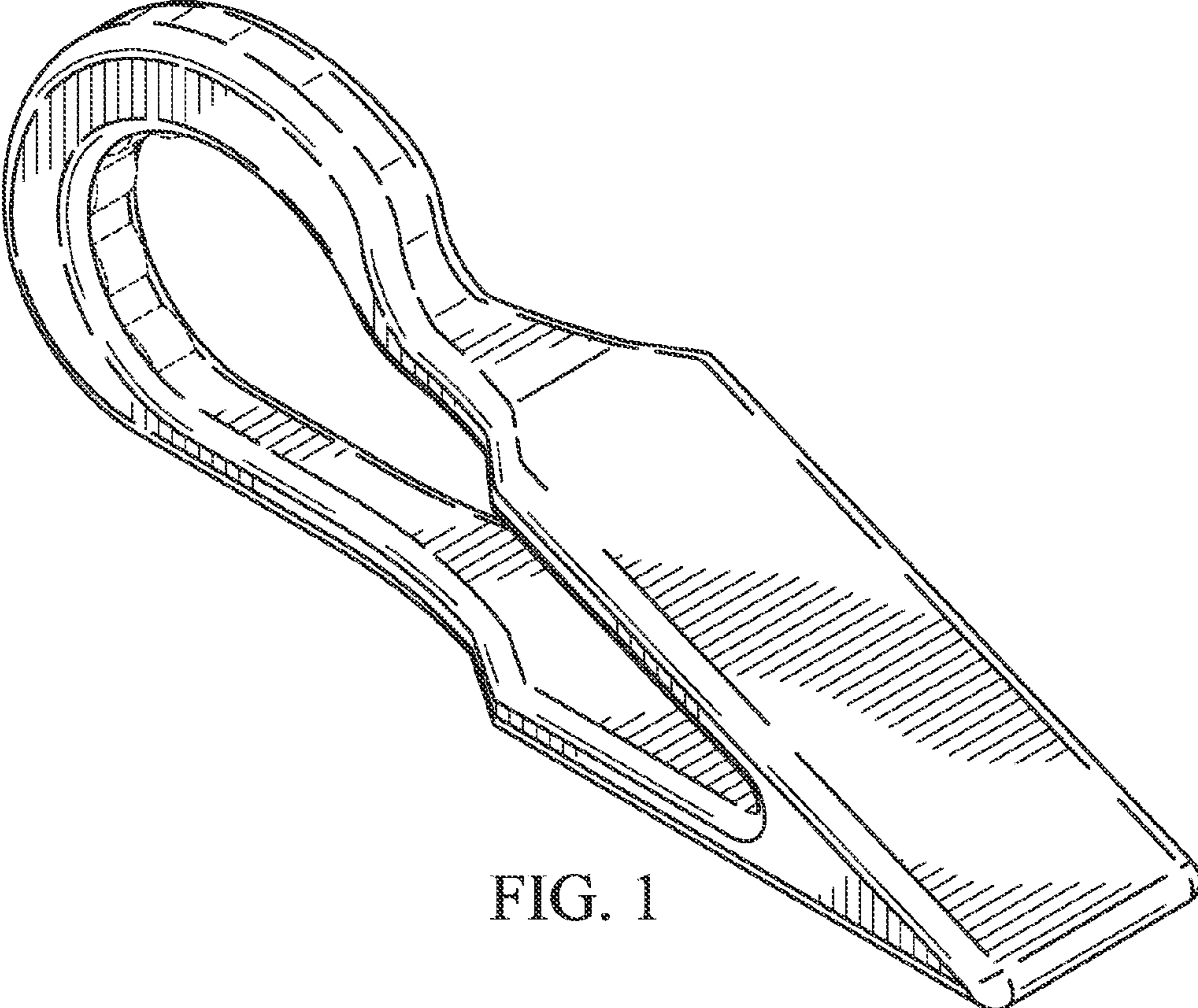


FIG. 1

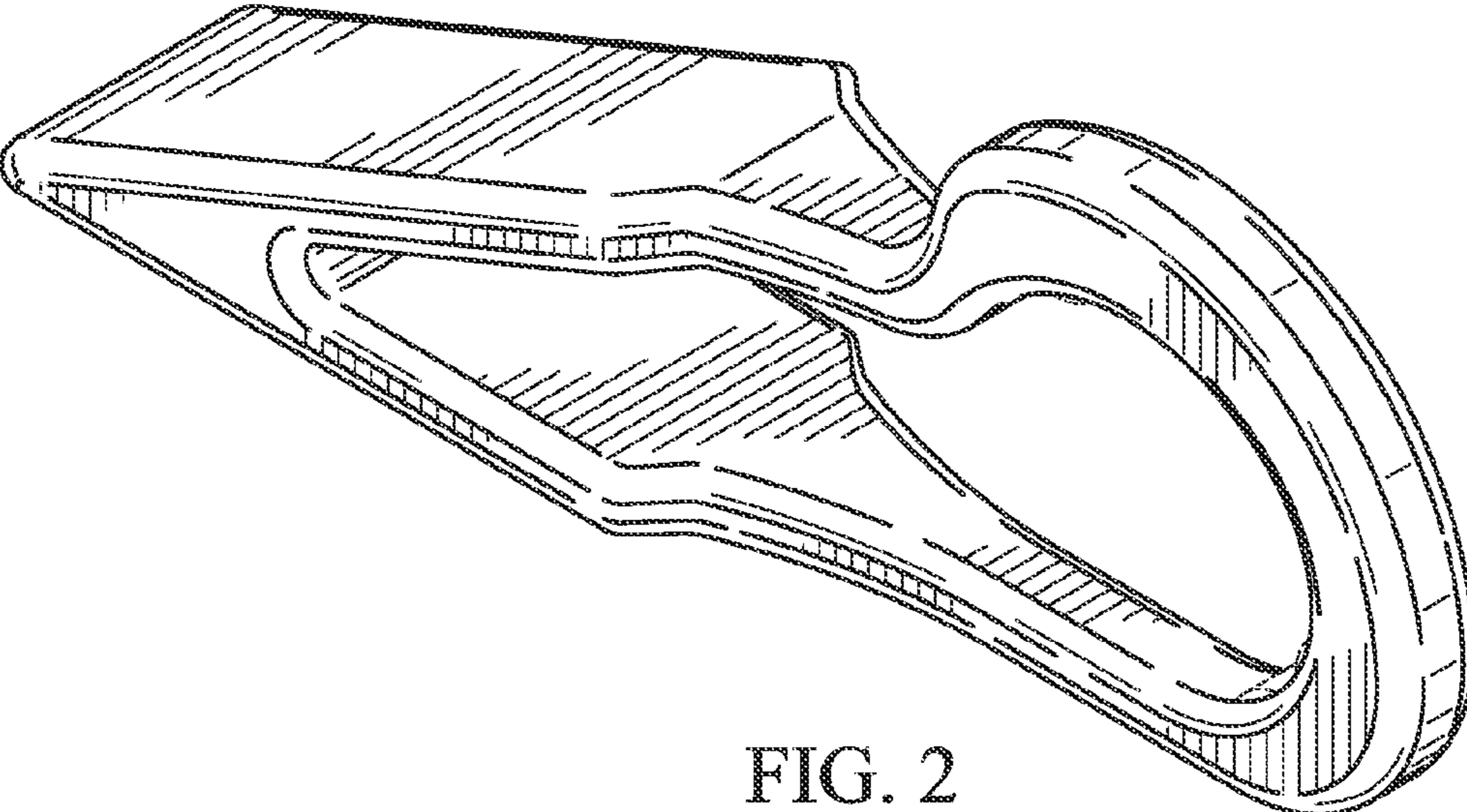


FIG. 2

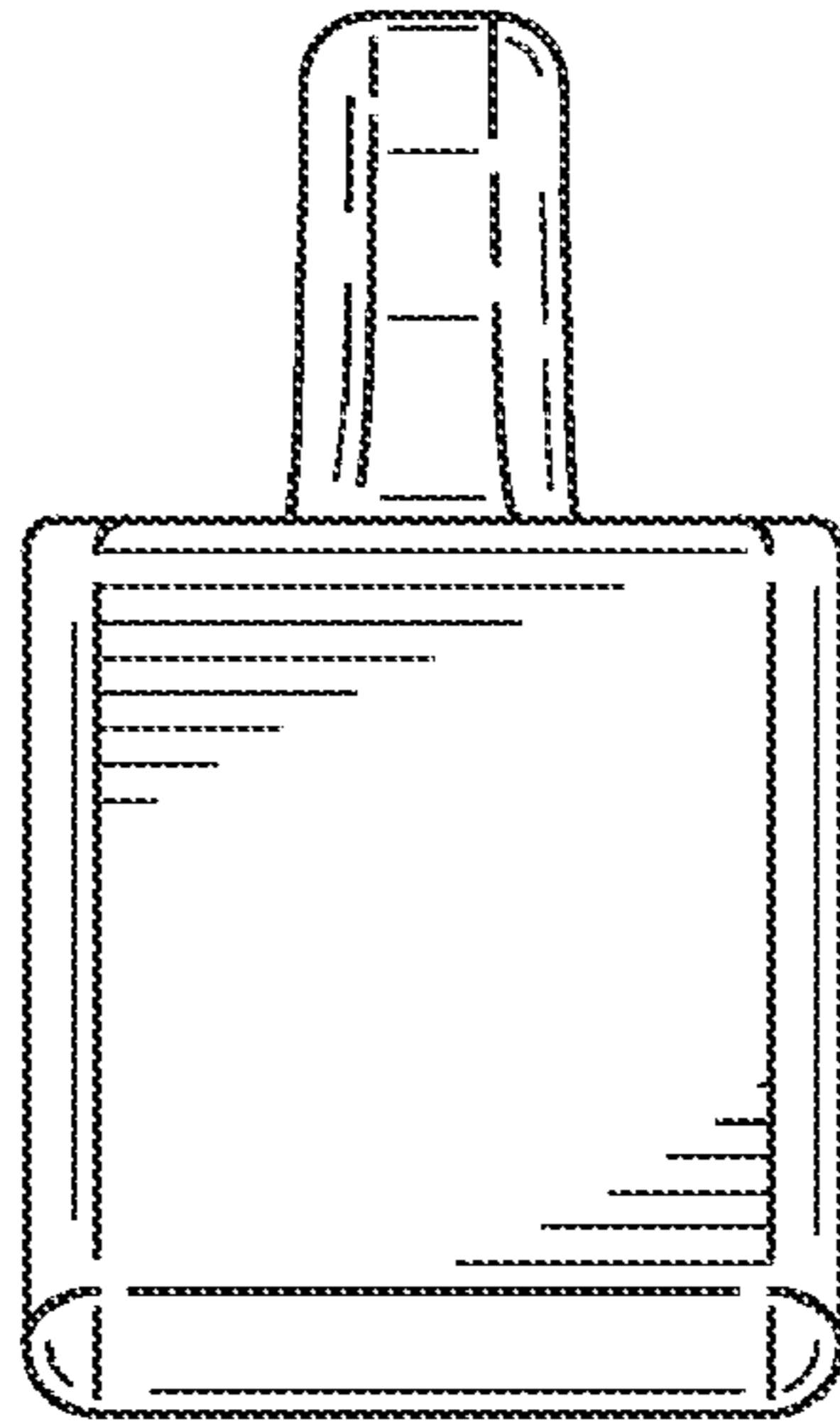


FIG. 3

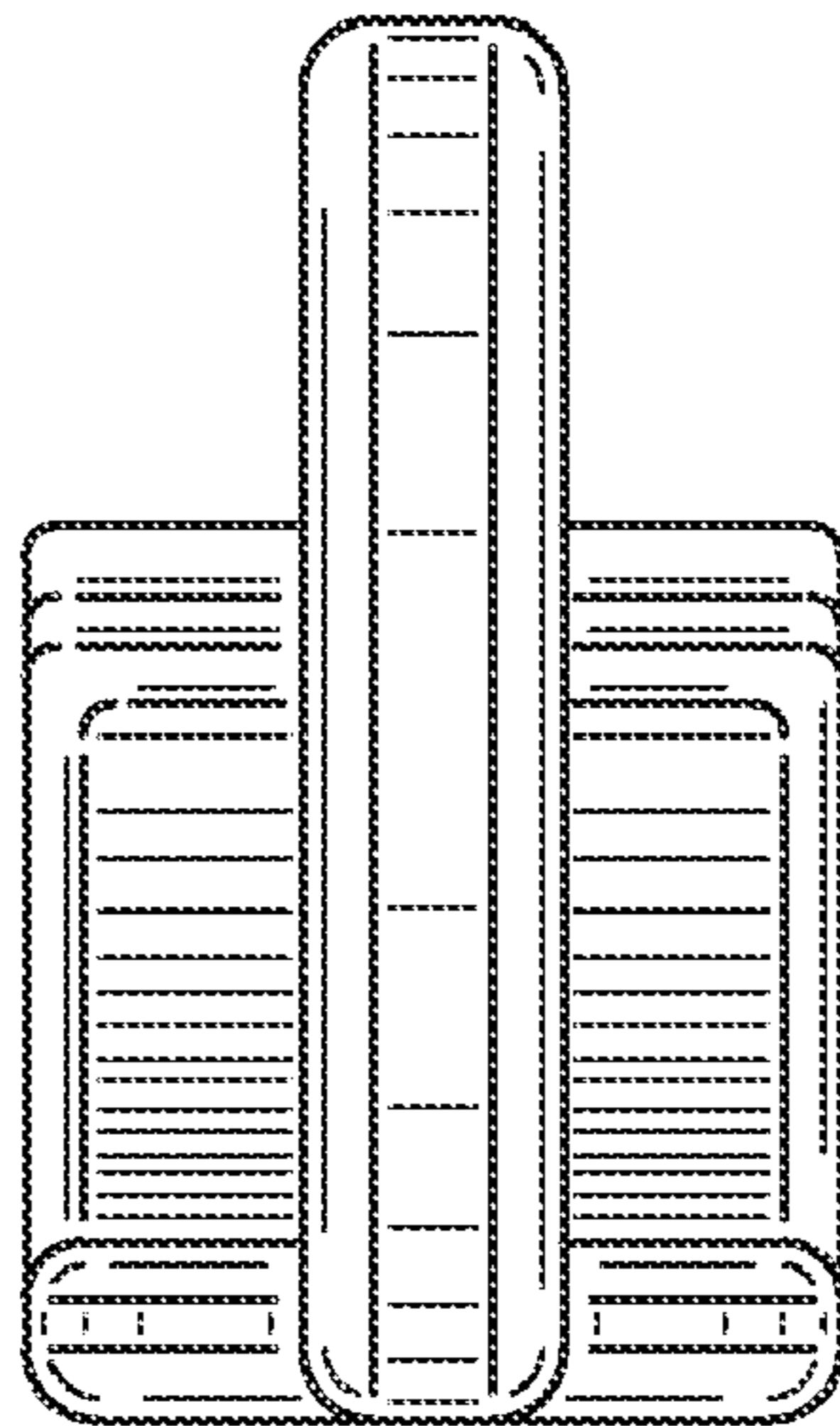


FIG. 4

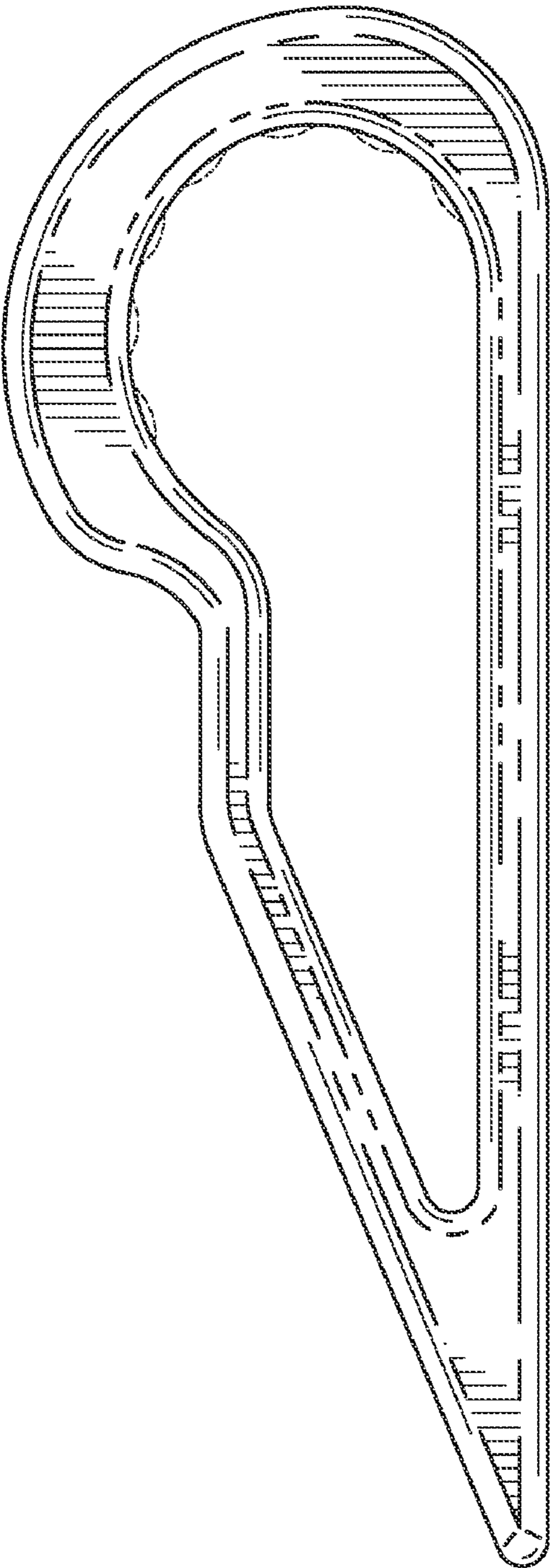


FIG. 5

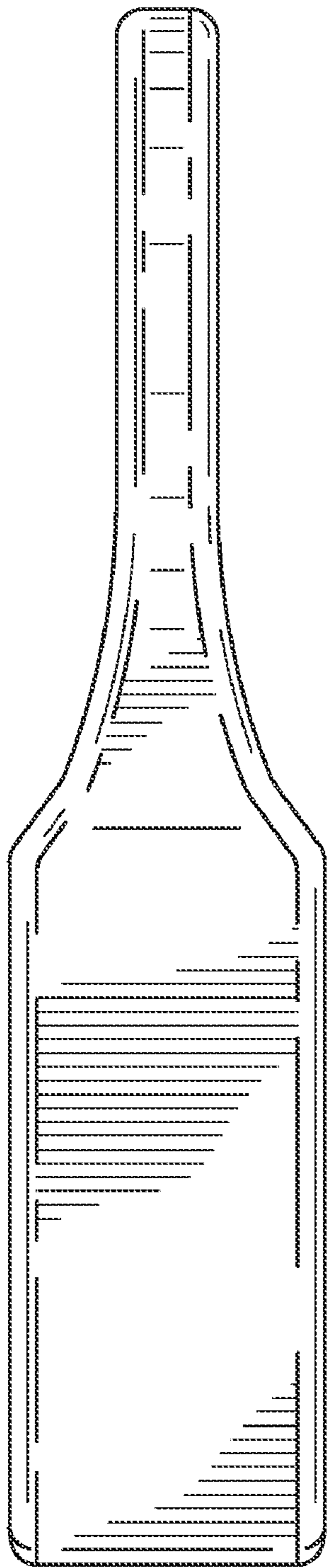


FIG. 6

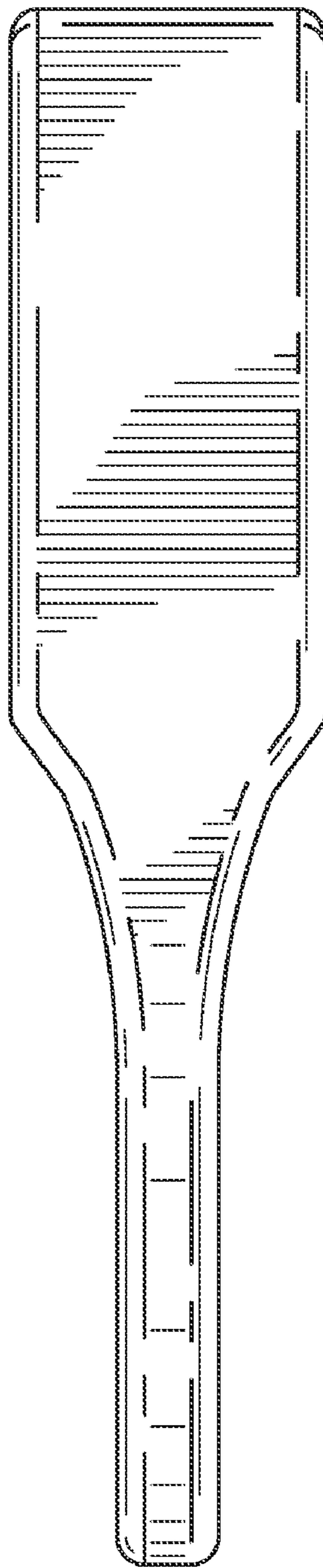


FIG. 7