



US00D632935S

(12) **United States Design Patent**
Noniewicz

(10) **Patent No.:** **US D632,935 S**
(45) **Date of Patent:** **** Feb. 22, 2011**

(54) **MECHANICAL CAULKING GUN**
(75) Inventor: **Zbigniew Noniewicz**, Kempenich (DE)
(73) Assignee: **Wolfcraft GmbH**, Kempenich (DE)
(**) Term: **14 Years**

DE 4216619 A1 11/1993
DE 29903910 U1 6/1999
DE 10213001 A1 10/2003
DE 202004002186 U1 8/2004
EP 0525562 B1 5/1995
JP 2003147962 A 5/2003
WO 95/22411 A1 8/1995
WO 2006/089511 A2 8/2006

(21) Appl. No.: **29/377,015**
(22) Filed: **Oct. 15, 2010**

* cited by examiner

Primary Examiner—Antoine D Davis
(74) *Attorney, Agent, or Firm*—Lucas & Mercanti, LLP

(30) **Foreign Application Priority Data**
Apr. 27, 2010 (EM) 001211080

(57) **CLAIM**

(51) **LOC (9) Cl.** **08-05**
(52) **U.S. Cl.** **D8/14.1**
(58) **Field of Classification Search** D8/14.1;
222/92, 105, 145.1, 160, 325–327, 386, 391,
222/567; 74/141.5
See application file for complete search history.

The ornamental design for a mechanical caulking gun, as shown and described.

DESCRIPTION

FIG. 1 is a right side perspective view of a first embodiment of a mechanical caulking gun showing my new design;
FIG. 2 is a front view thereof;
FIG. 3 is a back view thereof;
FIG. 4 is a left side perspective view thereof;
FIG. 5 is a top view thereof;
FIG. 6 is a bottom view thereof; and,
FIG. 7 is a perspective view thereof.

(56) **References Cited**
U.S. PATENT DOCUMENTS
D505,306 S * 5/2005 Gaddy D8/14.1

FOREIGN PATENT DOCUMENTS
DE 3431291 A1 3/1986
DE 3512967 A1 10/1986
DE 3530212 C1 10/1986

1 Claim, 3 Drawing Sheets

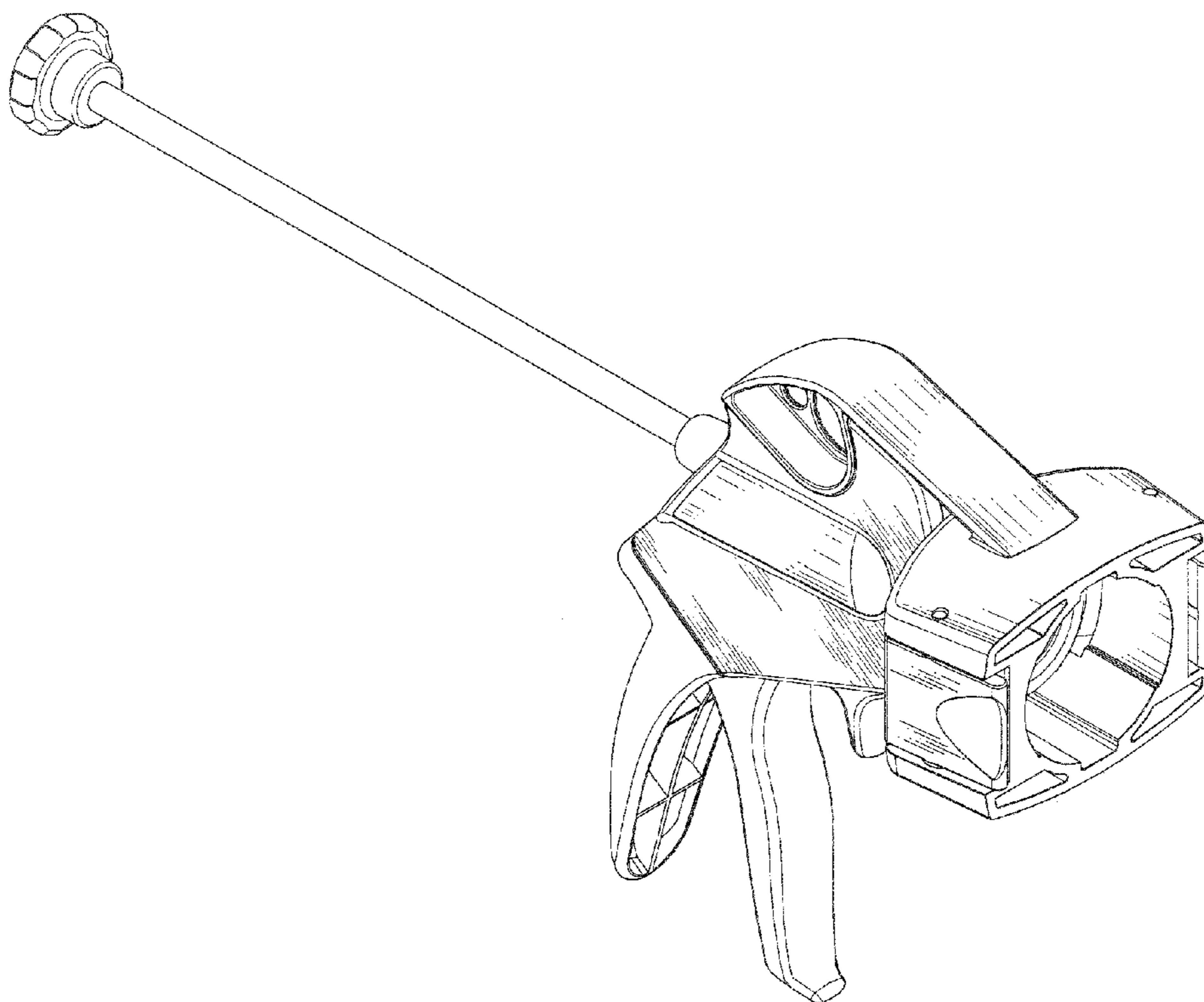


Fig. 1

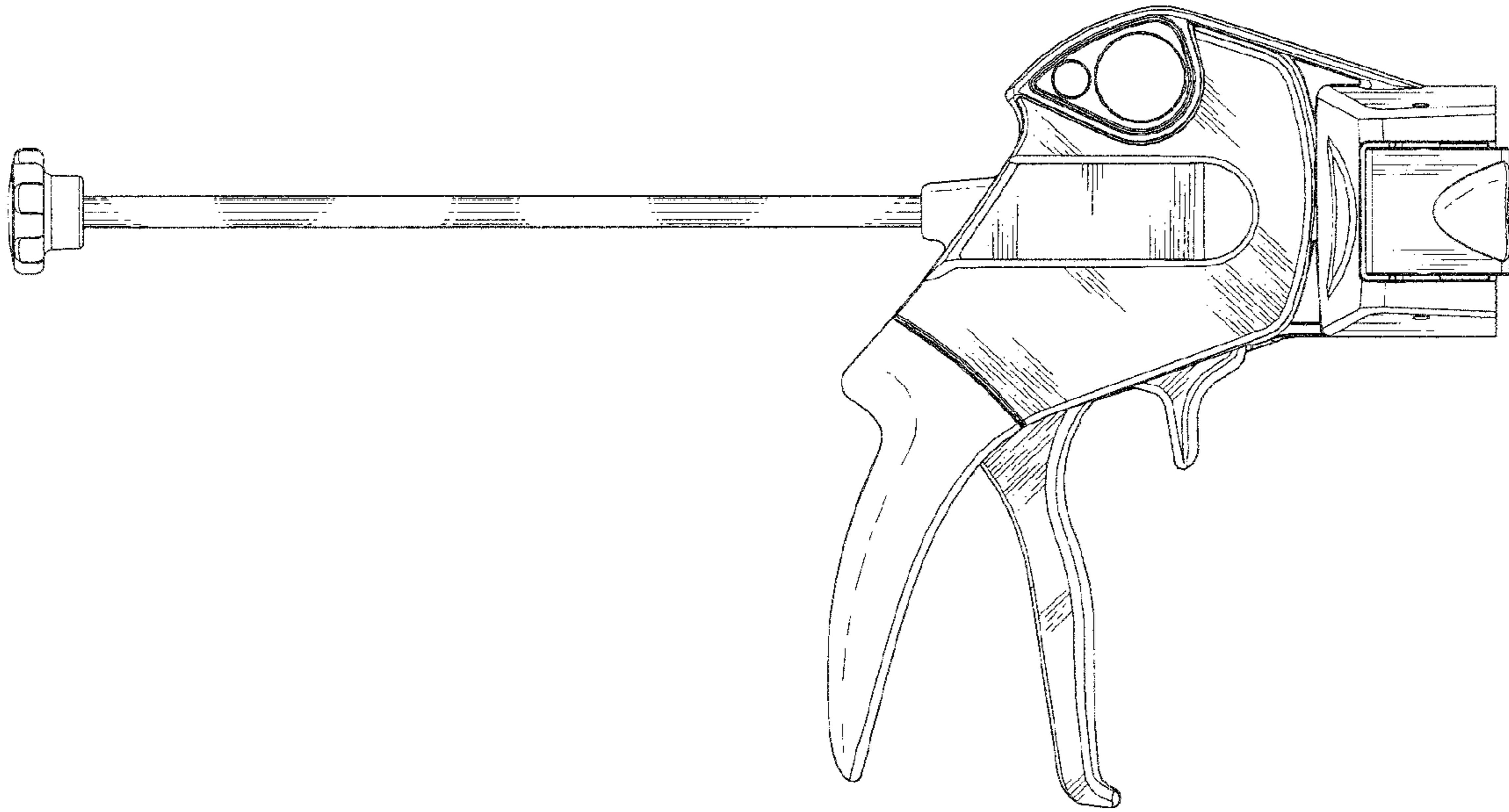


Fig. 2

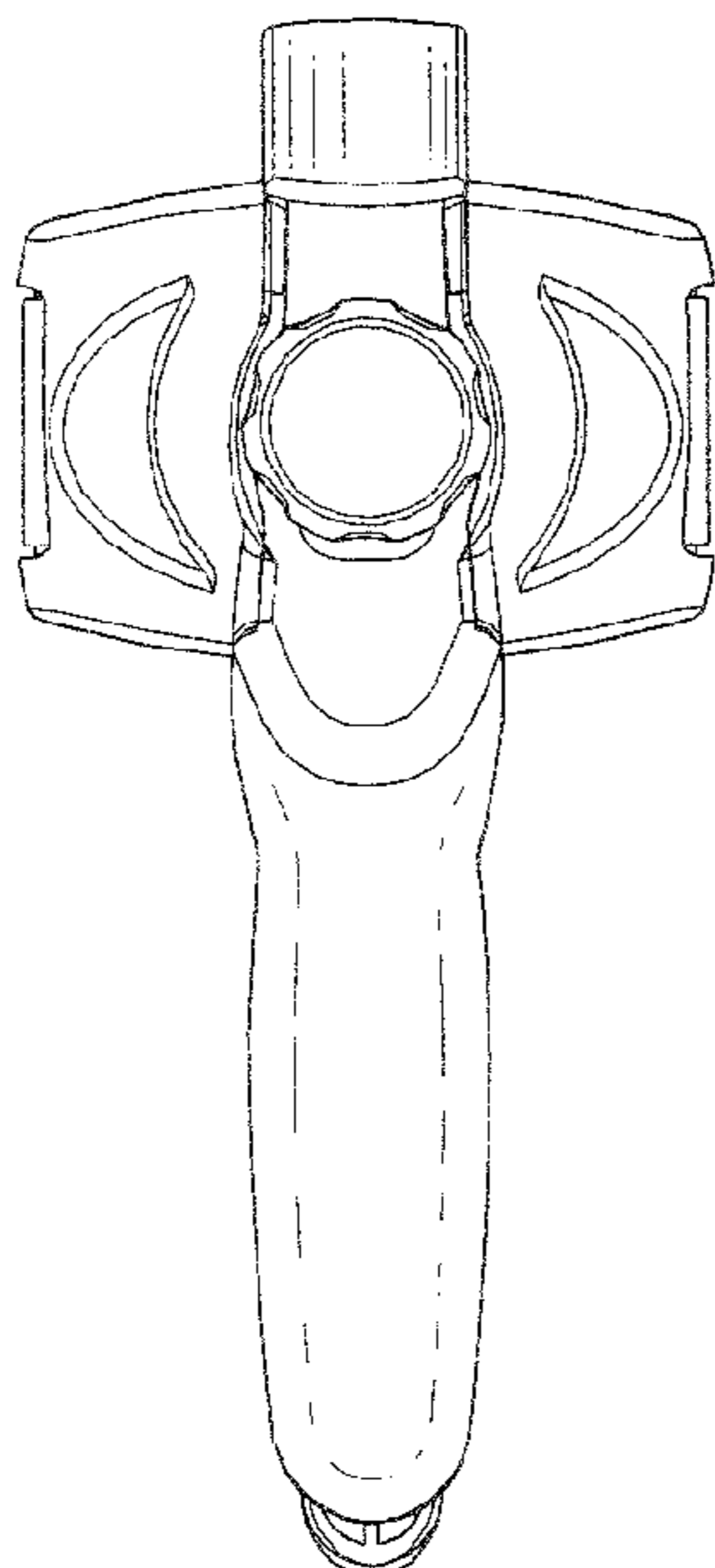


Fig. 3

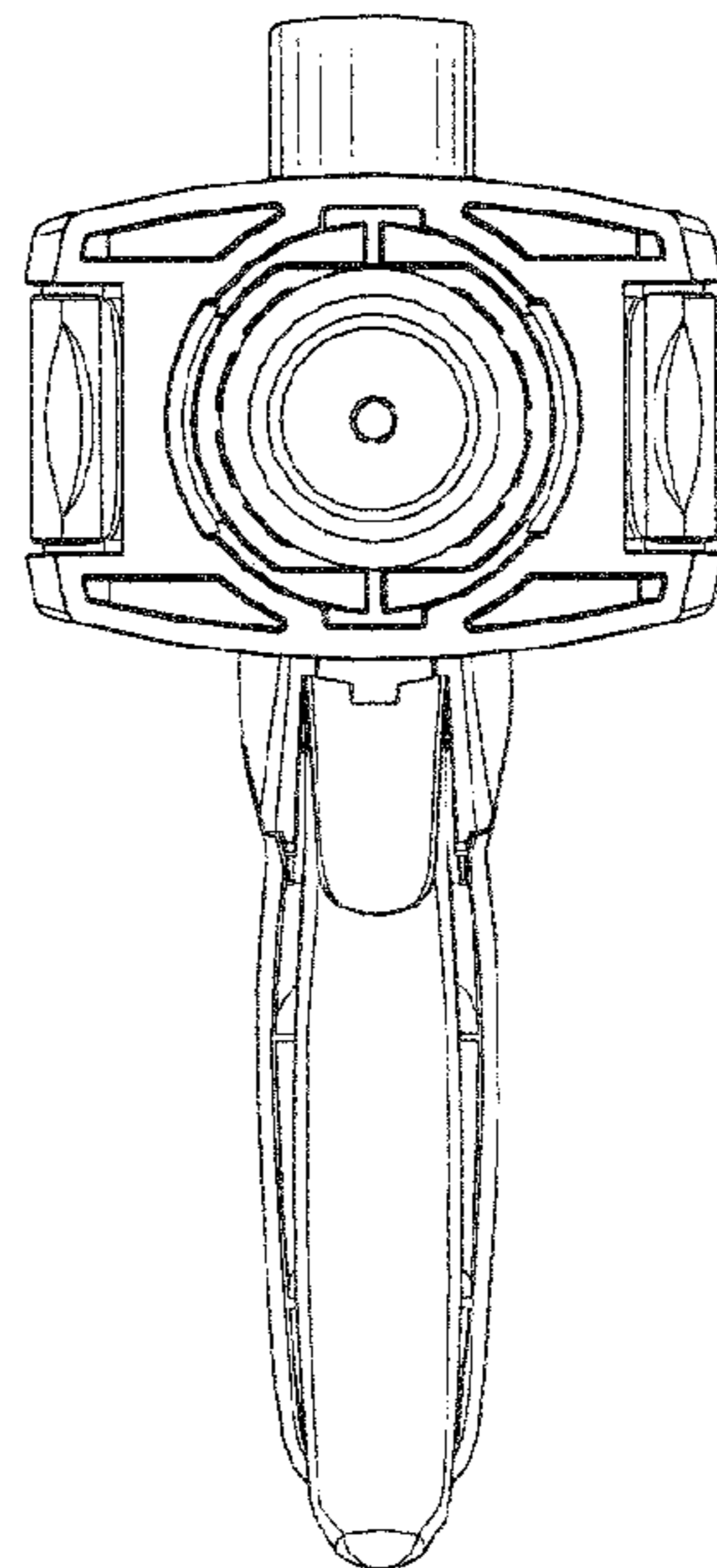


Fig. 4

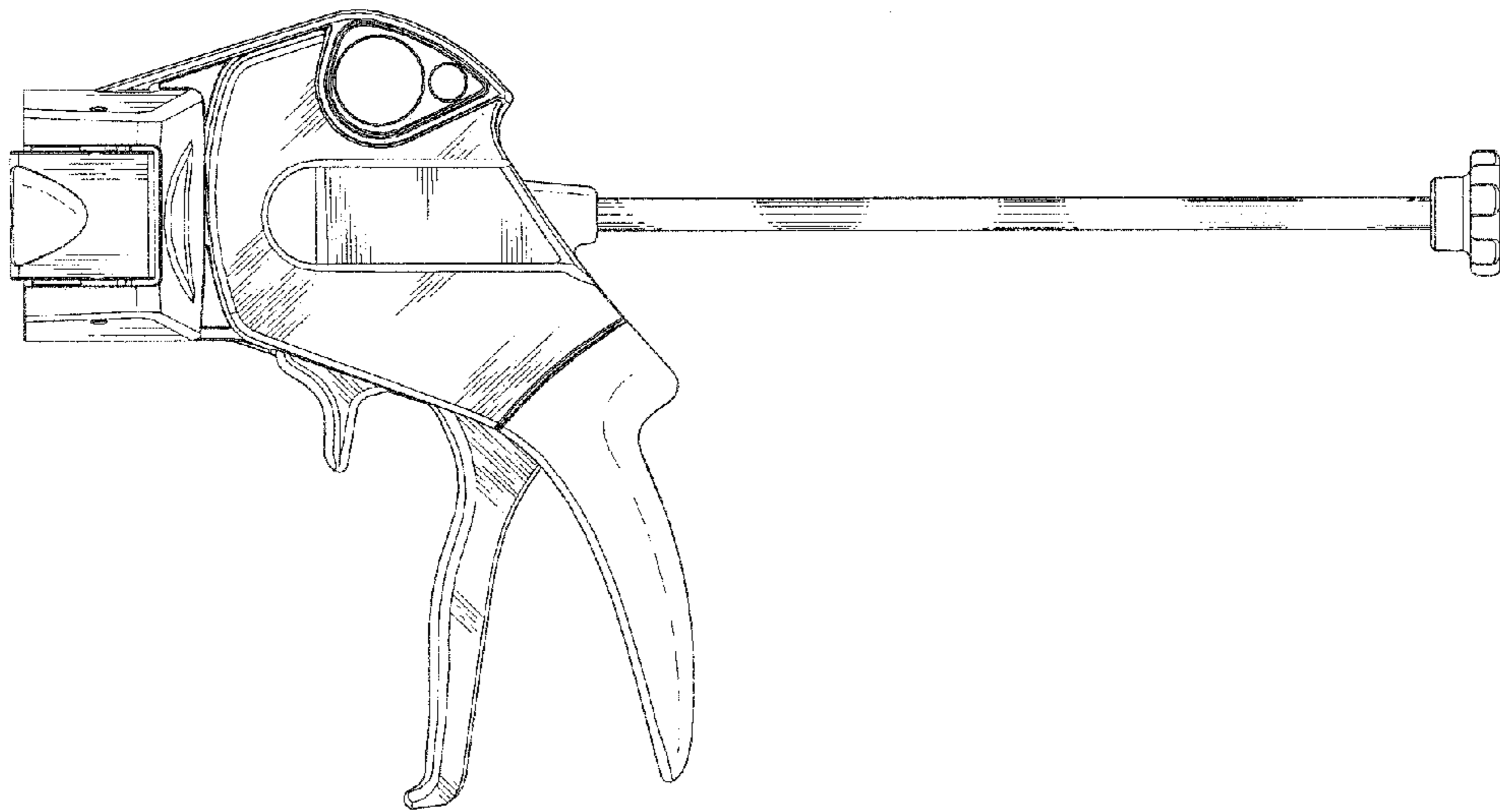


Fig. 5

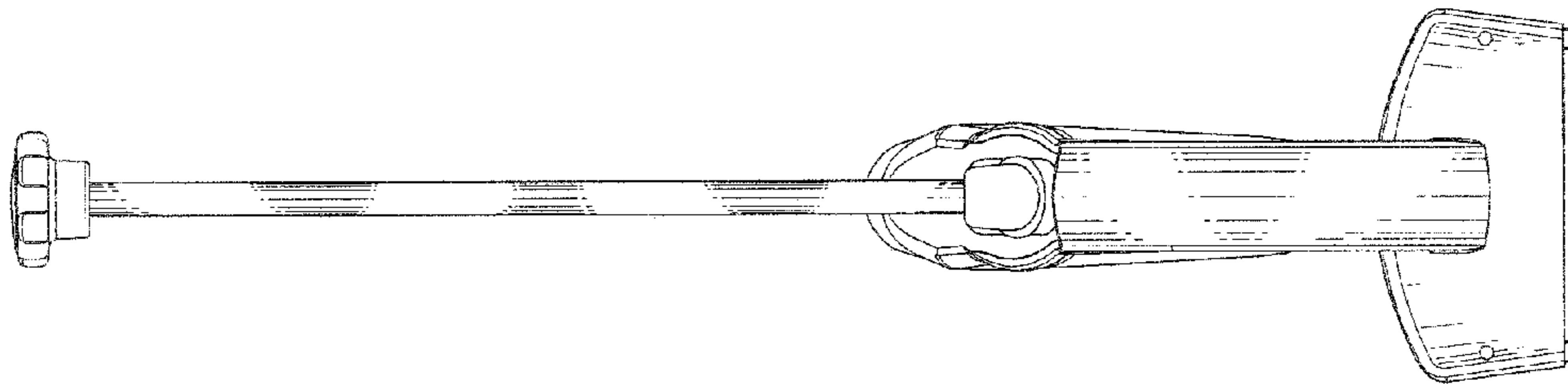


Fig. 6

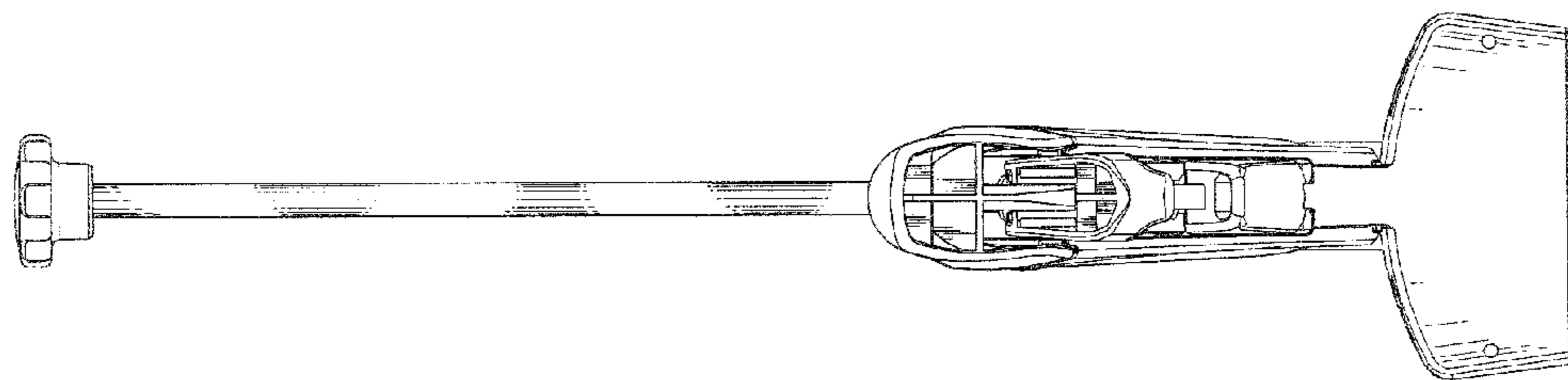


Fig. 7

