



US00D632933S

(12) **United States Design Patent**  
**Goodman et al.**

(10) **Patent No.:** **US D632,933 S**

(45) **Date of Patent:** **\*\* Feb. 22, 2011**

(54) **NAPKIN HOLDER**

(75) Inventors: **Sheldon H. Goodman**, Solon, OH (US);  
**Omer I. Sazir**, Cleveland, OH (US);  
**Elizabeth A. Cho**, Strongsville, OH  
(US)

(73) Assignee: **Spectrum Diversified Designs, Inc.**,  
Streetsboro, OH (US)

(\*\*) Term: **14 Years**

(21) Appl. No.: **29/363,945**

(22) Filed: **Jun. 16, 2010**

(51) **LOC (9) Cl.** ..... **07-06**

(52) **U.S. Cl.** ..... **D7/631**

(58) **Field of Classification Search** ..... D7/601-602,  
D7/631-632, 637, 704; D6/458, 462, 566;  
220/485, 591; 211/181.1, 85.31, 13.1, 11,  
211/41.1-41.4, 126.9, 133.5; D3/306; D19/65,  
D19/75, 86, 90

See application file for complete search history.

(56) **References Cited**

**U.S. PATENT DOCUMENTS**

3,442,393 A \* 5/1969 Koppelman ..... 211/13.1  
D240,105 S \* 6/1976 Boyd et al. .... D7/388

D264,761 S \* 6/1982 Dekarski ..... D3/306  
4,852,760 A \* 8/1989 Sarnoff et al. .... 220/743  
4,926,748 A \* 5/1990 Smith et al. .... 100/34  
4,930,642 A \* 6/1990 Brooks et al. .... 211/85.31  
D334,854 S \* 4/1993 Pestone ..... D6/458  
D348,693 S \* 7/1994 Tillyer, Sr. .... D19/86  
6,505,745 B1 \* 1/2003 Anderson ..... 211/51  
D587,073 S \* 2/2009 Goodman et al. .... D7/631  
D592,016 S \* 5/2009 Goodman et al. .... D7/624.1

\* cited by examiner

*Primary Examiner*—Ian Simmons

*Assistant Examiner*—Dana L Sipos

(74) *Attorney, Agent, or Firm*—Pearne & Gordon LLP

(57) **CLAIM**

The ornamental design for a napkin holder, as shown and described.

**DESCRIPTION**

FIG. 1 is a perspective view of a napkin holder showing our new design;

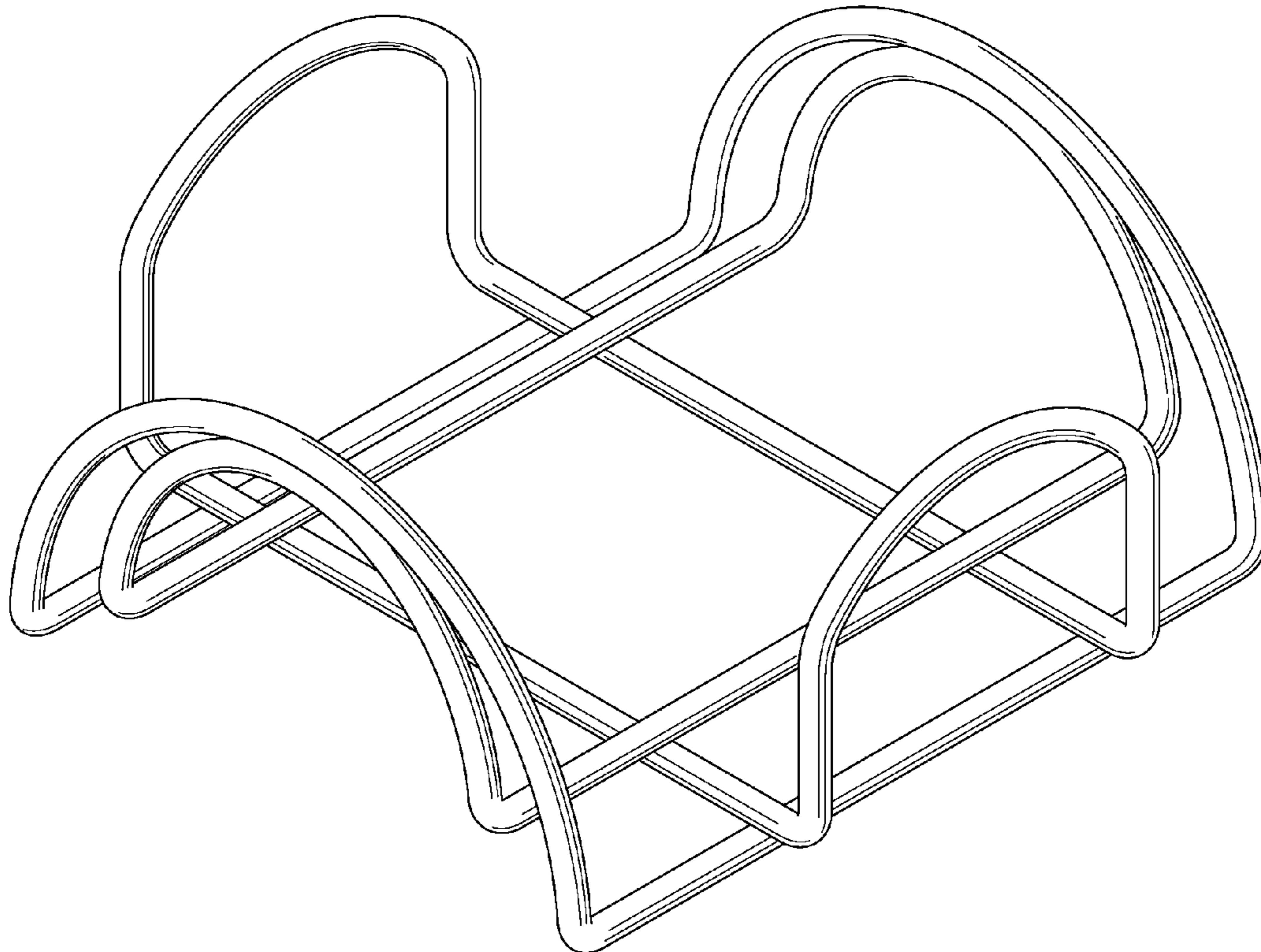
FIG. 2 is a top plan view thereof, shown at a reduced scale;

FIG. 3 is a front elevation view thereof;

FIG. 4 is a side elevation view thereof; and,

FIG. 5 is a bottom plan view thereof.

**1 Claim, 2 Drawing Sheets**



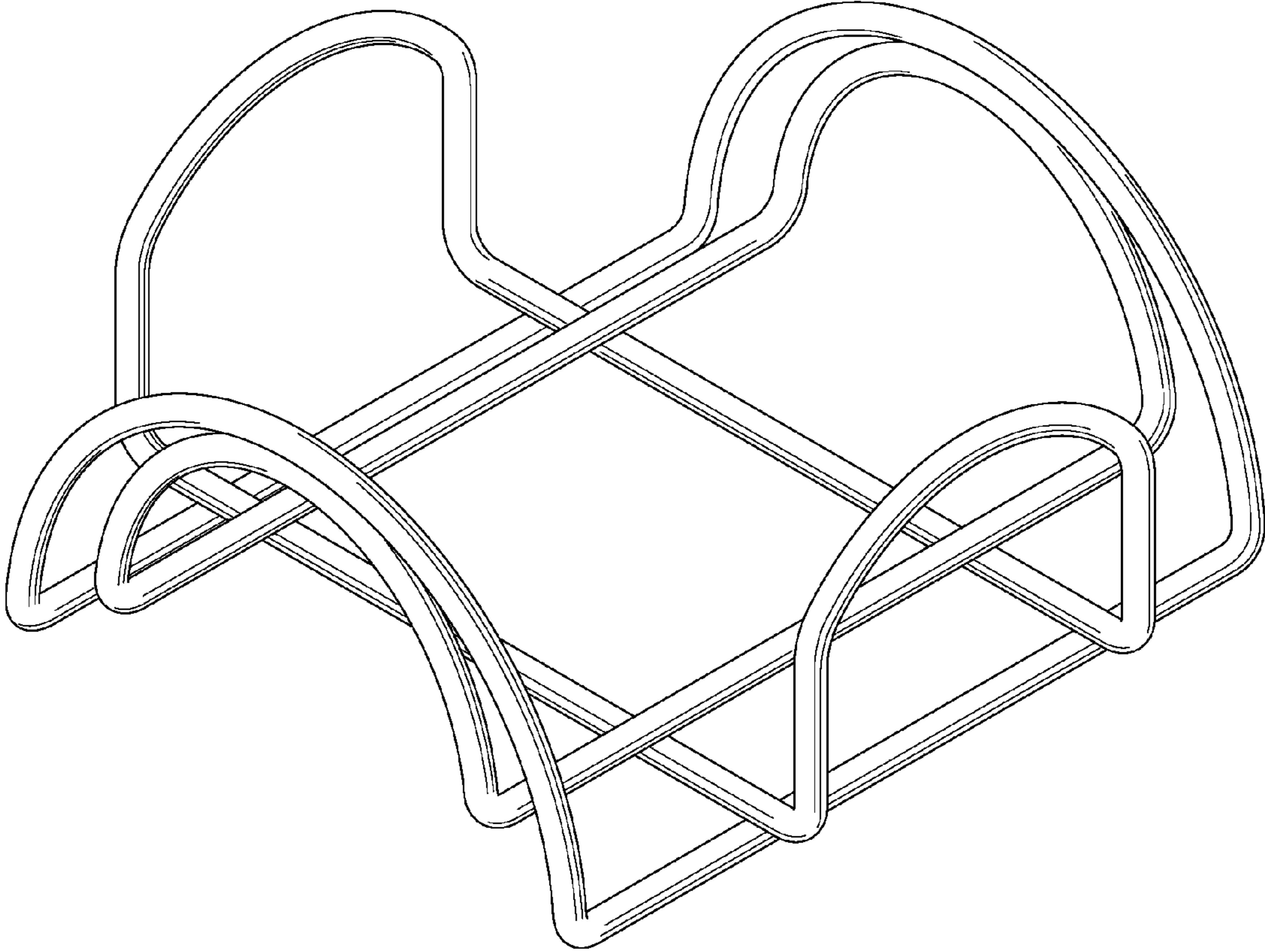
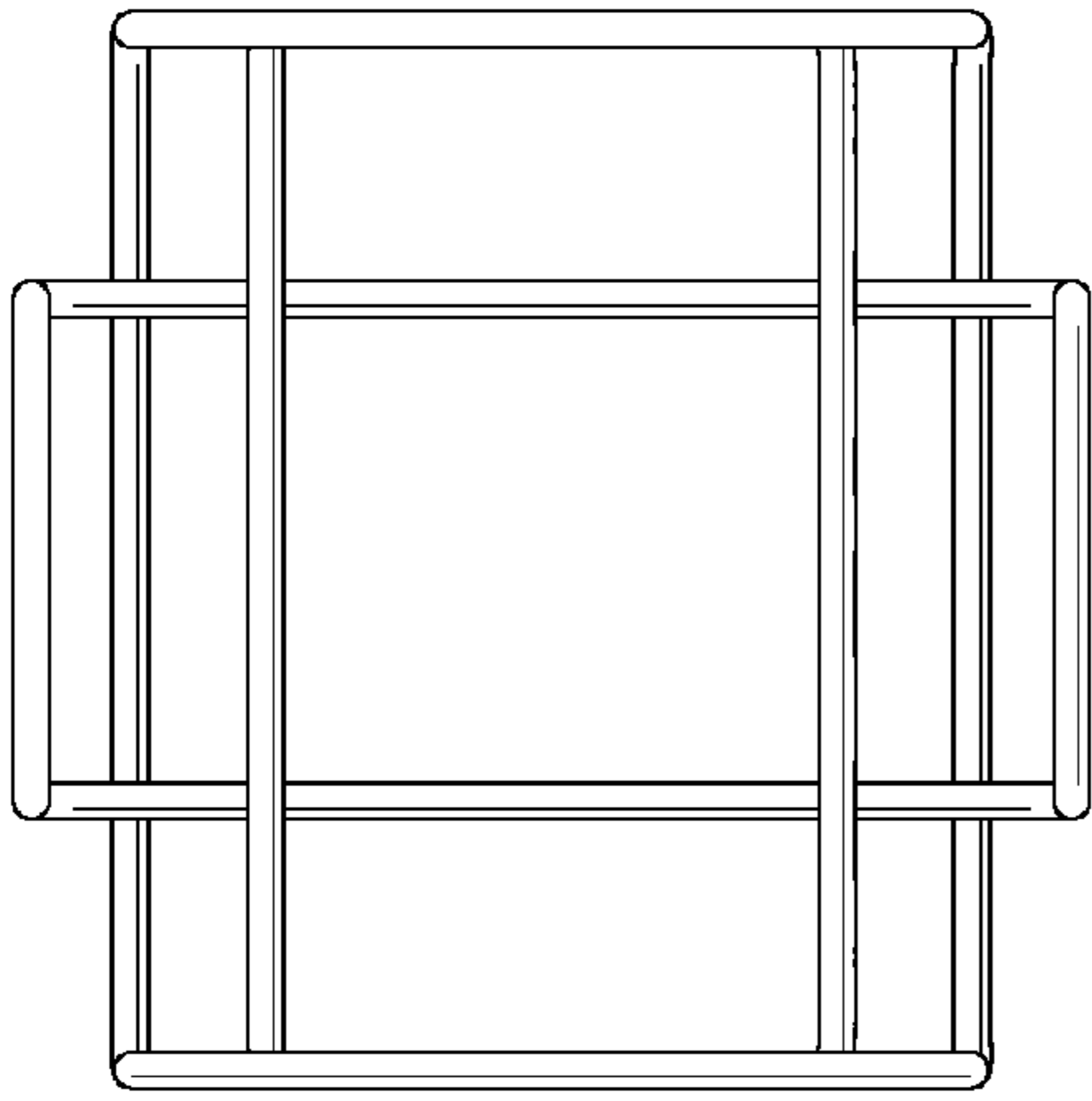
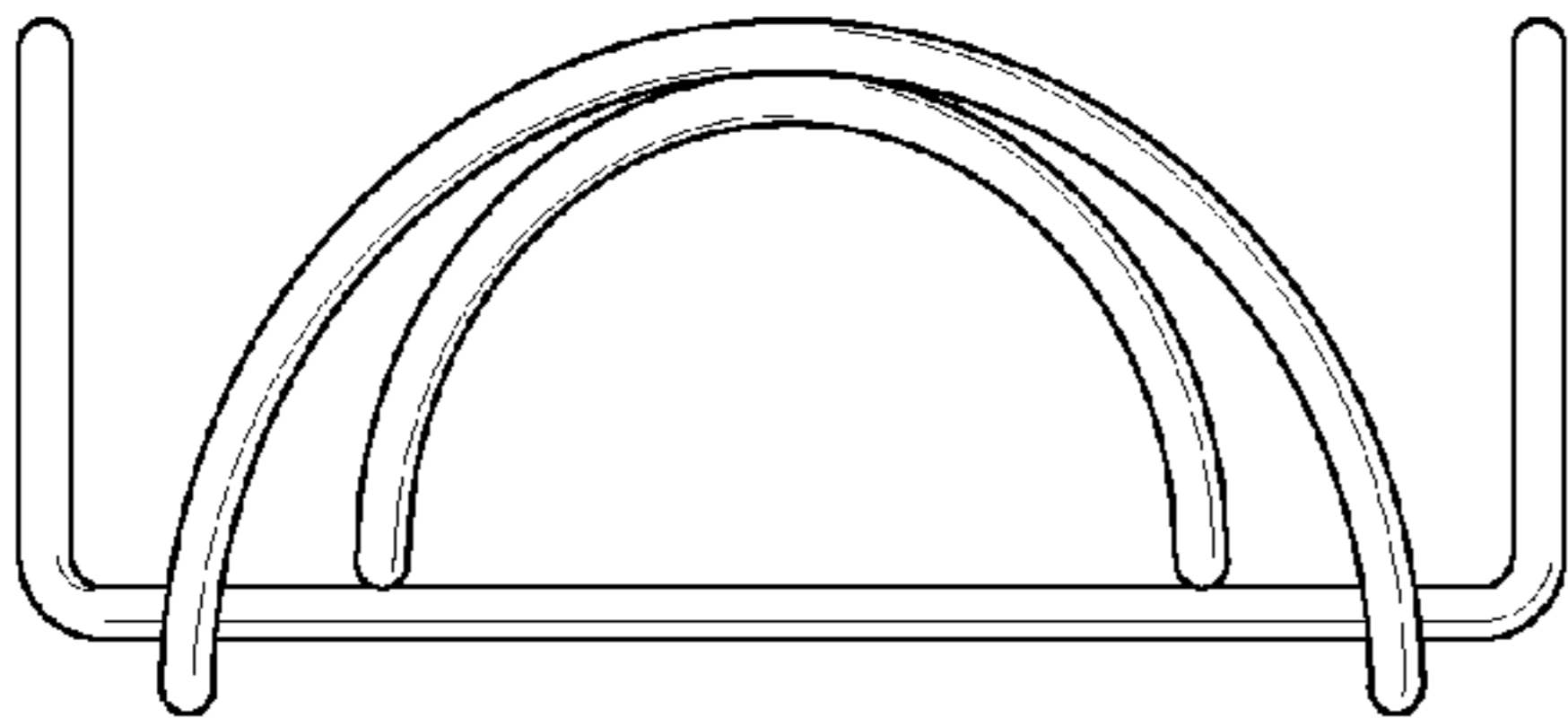


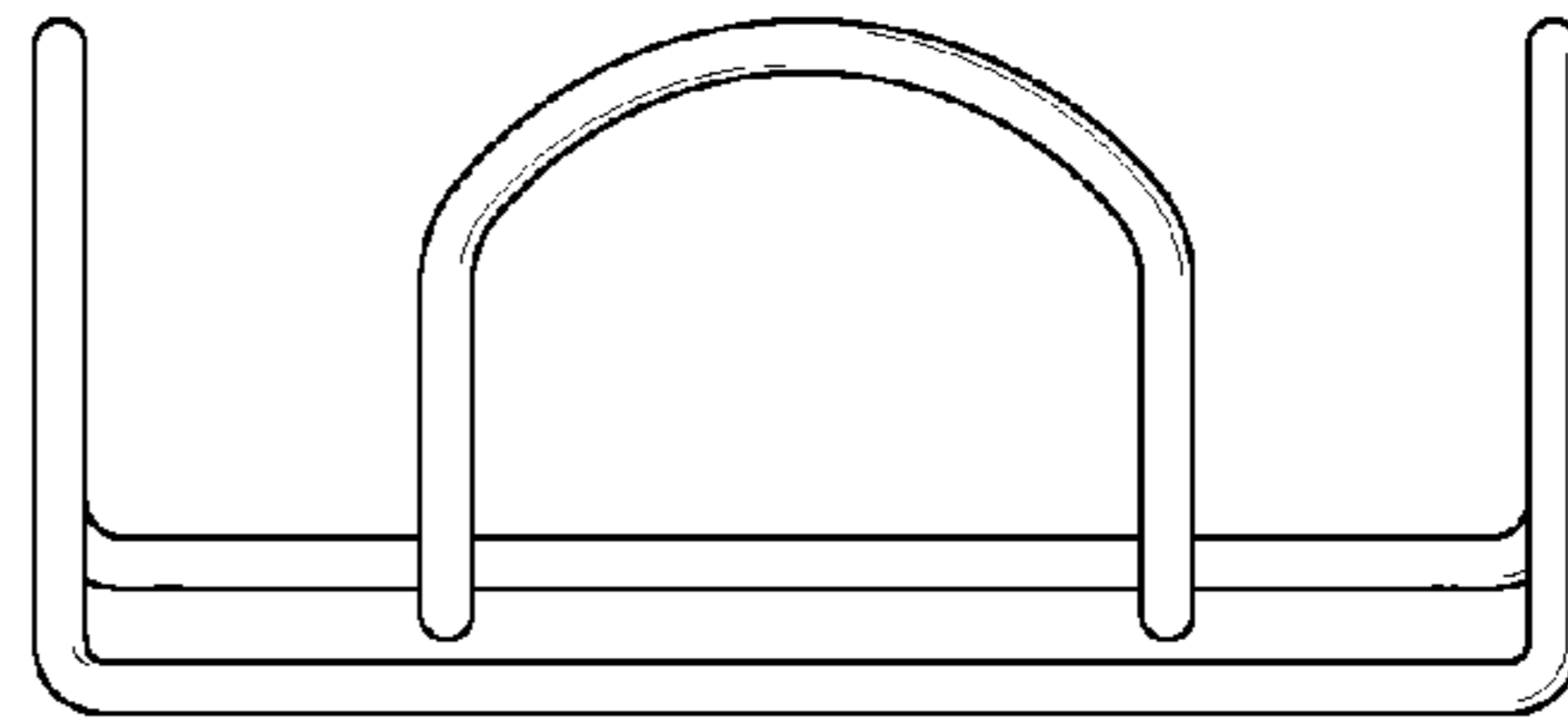
FIG. 1



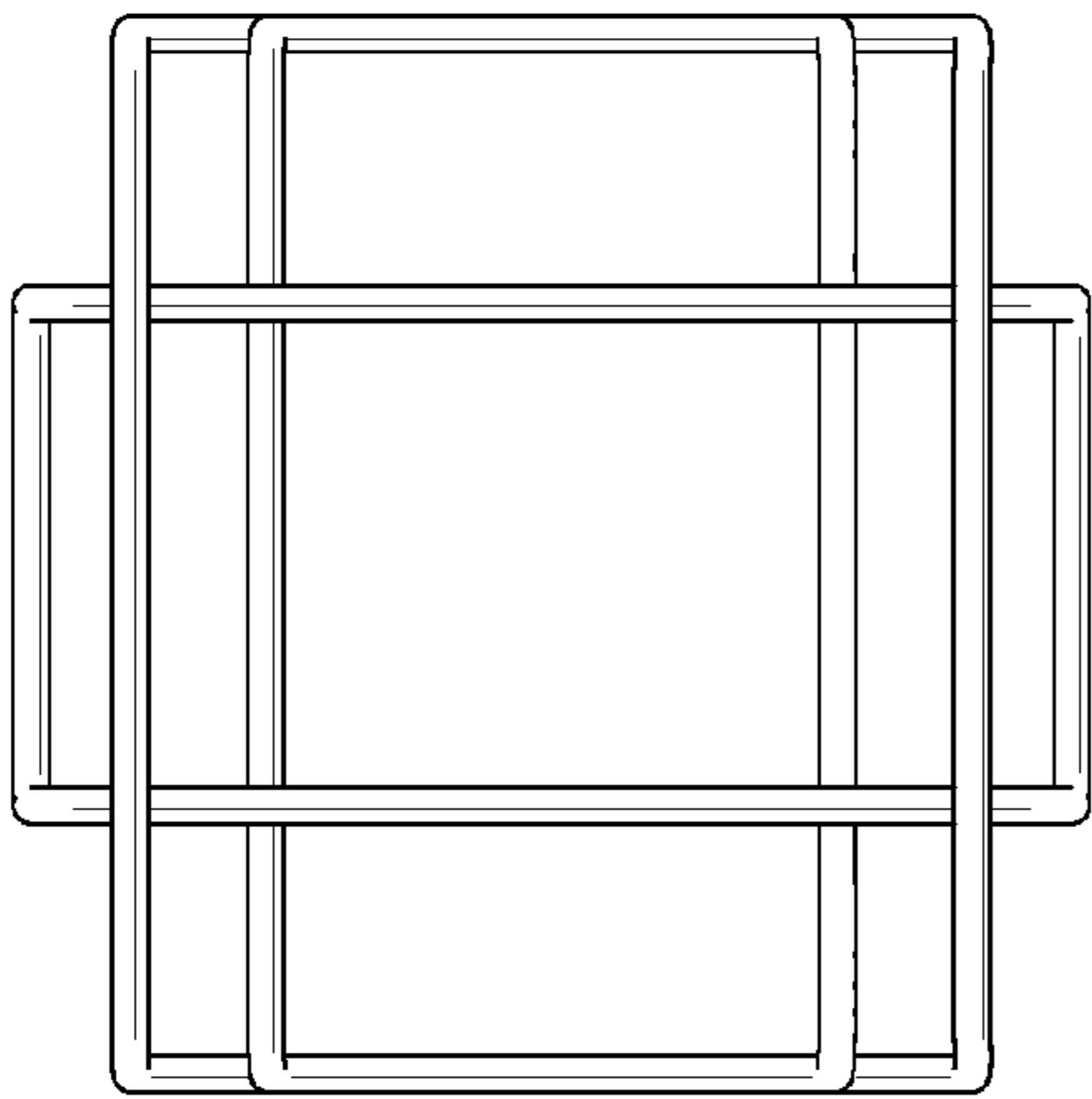
**FIG. 2**



**FIG. 3**



**FIG. 4**



**FIG. 5**