



US00D632932S

(12) **United States Design Patent**
Smyers

(10) **Patent No.:** **US D632,932 S**

(45) **Date of Patent:** **** Feb. 22, 2011**

(54) **CONTAINER WITH LID FOR CEREAL AND OTHER DRY FOODS AND THE LIKE**

(75) Inventor: **Justin Smyers**, Newport Beach, CA (US)

(73) Assignee: **Snapware Corporation**, Mira Loma, CA (US)

(**) Term: **14 Years**

(21) Appl. No.: **29/368,104**

(22) Filed: **Aug. 18, 2010**

Related U.S. Application Data

(62) Division of application No. 29/350,067, filed on Nov. 10, 2009, now Pat. No. Des. 623,893.

(51) **LOC (9) Cl.** **07-07**

(52) **U.S. Cl.** **D7/629**

(58) **Field of Classification Search** D7/391-392.1, D7/629, 612-615, 538-542, 601; D9/424-432, D9/434-436, 451-454, 456; 220/700, 701, 220/703, 711, 713-715, 719, 780-806
See application file for complete search history.

(56) **References Cited**

U.S. PATENT DOCUMENTS

D199,505 S * 11/1964 Swett D7/629

D284,728 S *	7/1986	Trivison	D7/629
D311,665 S *	10/1990	Carlson	D7/629
D469,011 S *	1/2003	Miller	D7/601
D511,655 S *	11/2005	Kim	D7/629
D517,311 S *	3/2006	Kim	D3/294
D521,812 S *	5/2006	Kim	D7/629
D539,612 S *	4/2007	Foss	D7/629
D540,493 S *	4/2007	Fick	D7/629

* cited by examiner

Primary Examiner—Terry A Wallace

(74) *Attorney, Agent, or Firm*—Larry K. Roberts

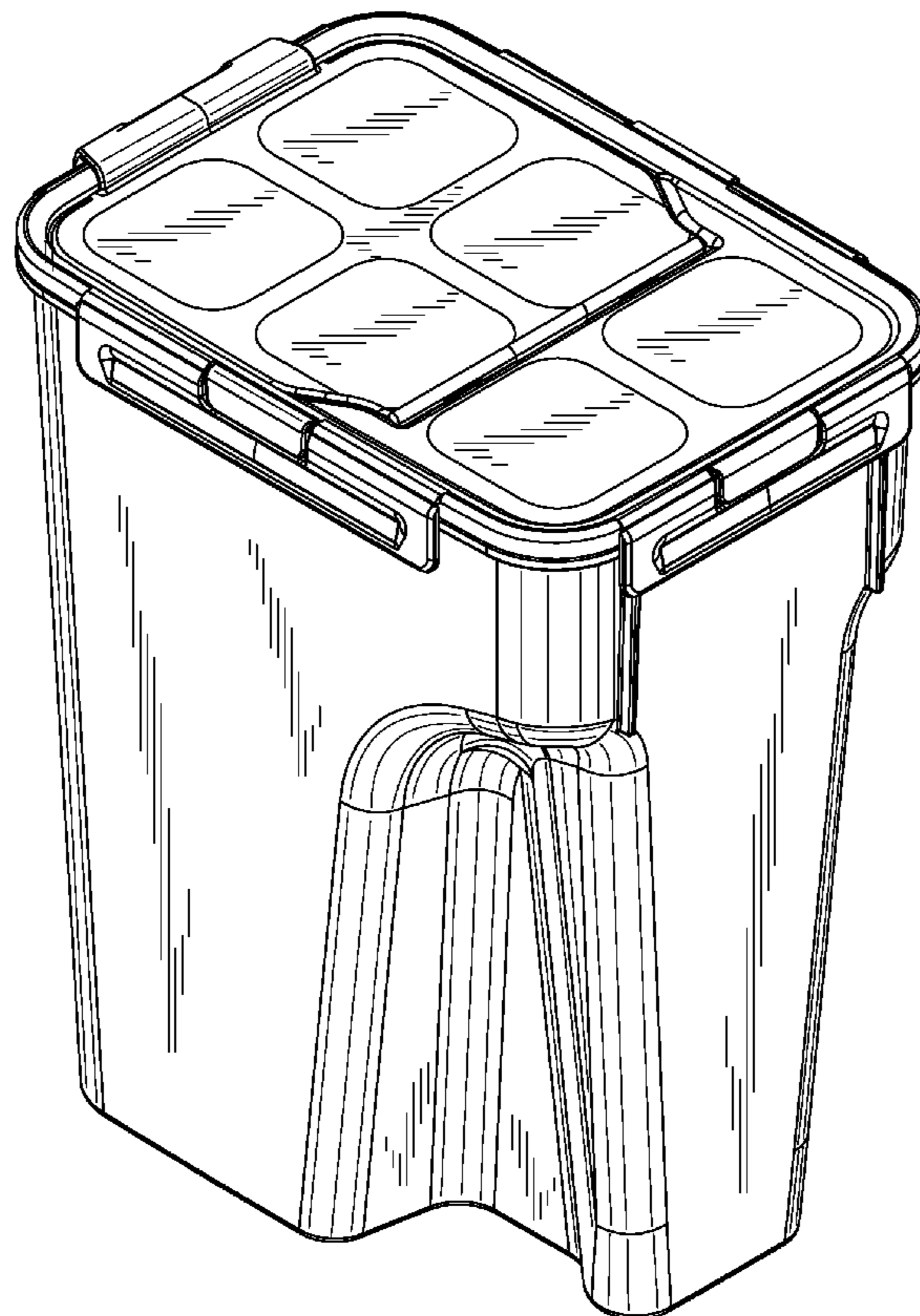
(57) **CLAIM**

The ornamental design for a container with lid for cereal and other dry foods and the like, as shown and described.

DESCRIPTION

FIG. 1 is an isometric view of an embodiment of the design; FIG. 2 is a left side view of the embodiment of FIG. 1; FIG. 3 is a front view of the embodiment of FIG. 1; FIG. 4 is a right side view of the embodiment of FIG. 1; FIG. 5 is a back view of the embodiment of FIG. 1; FIG. 6 is a top view of the embodiment of FIG. 1; and, FIG. 7 is a bottom view of the embodiment of FIG. 1.

1 Claim, 4 Drawing Sheets



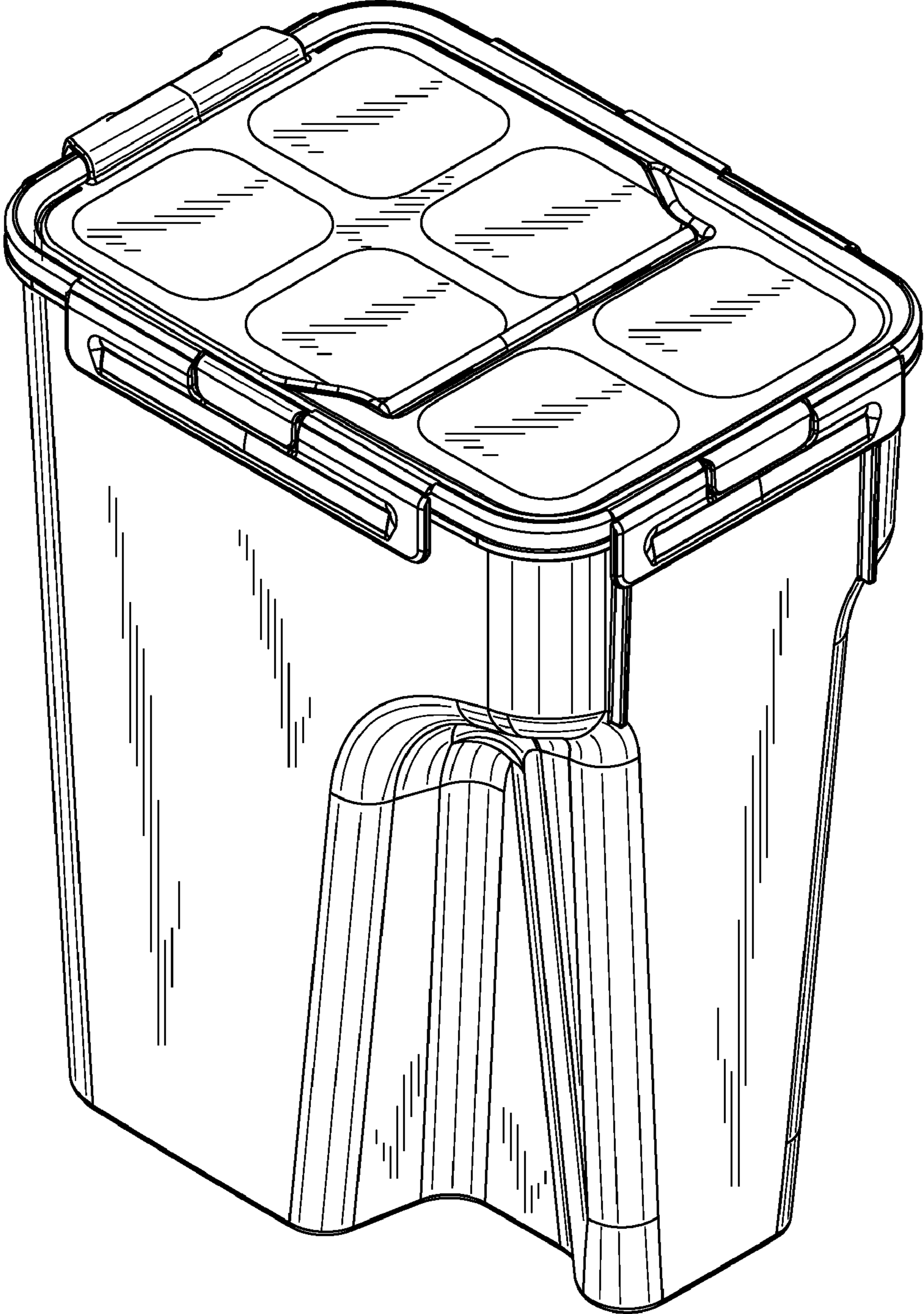


FIG. 1

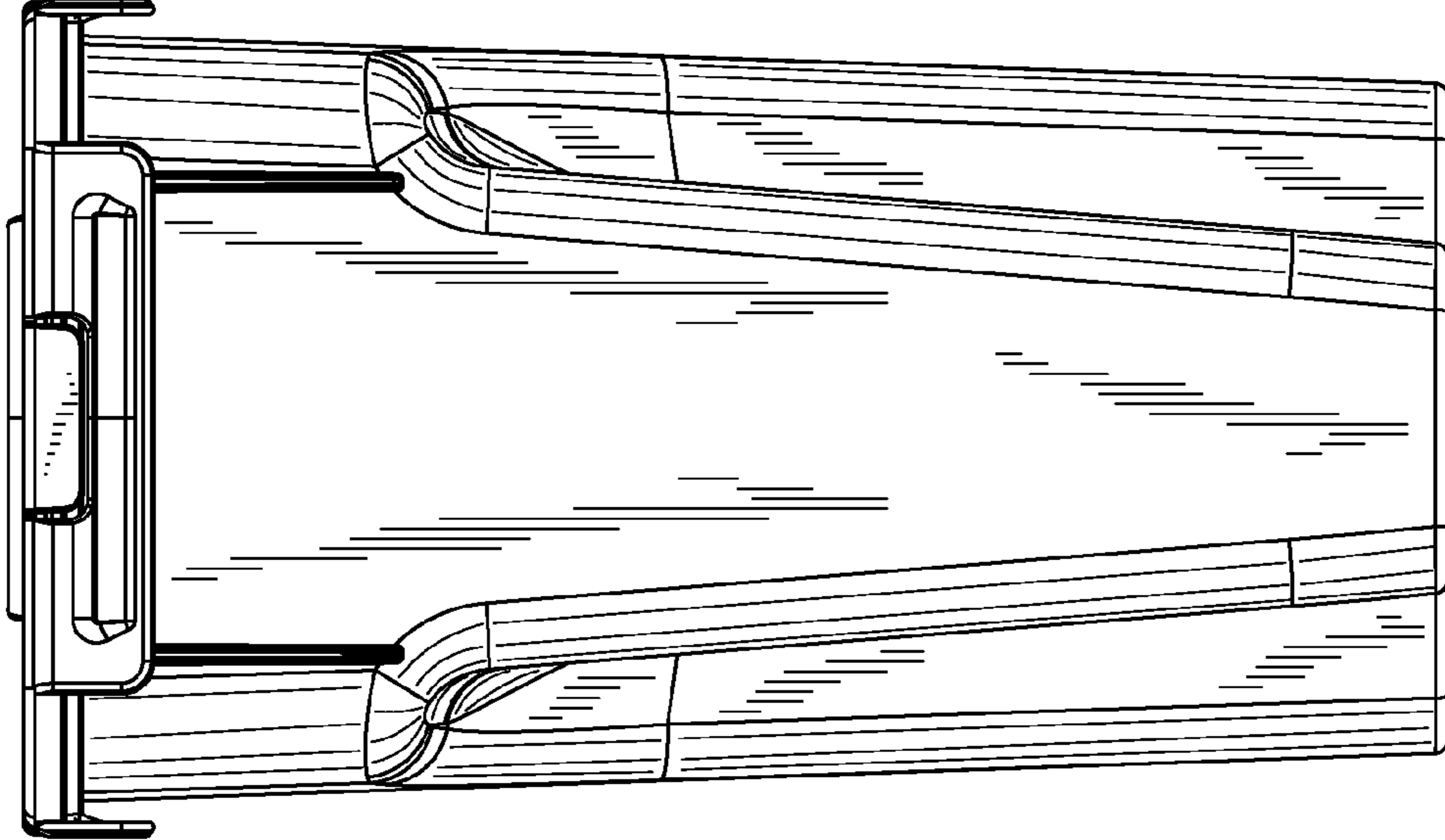


FIG. 3

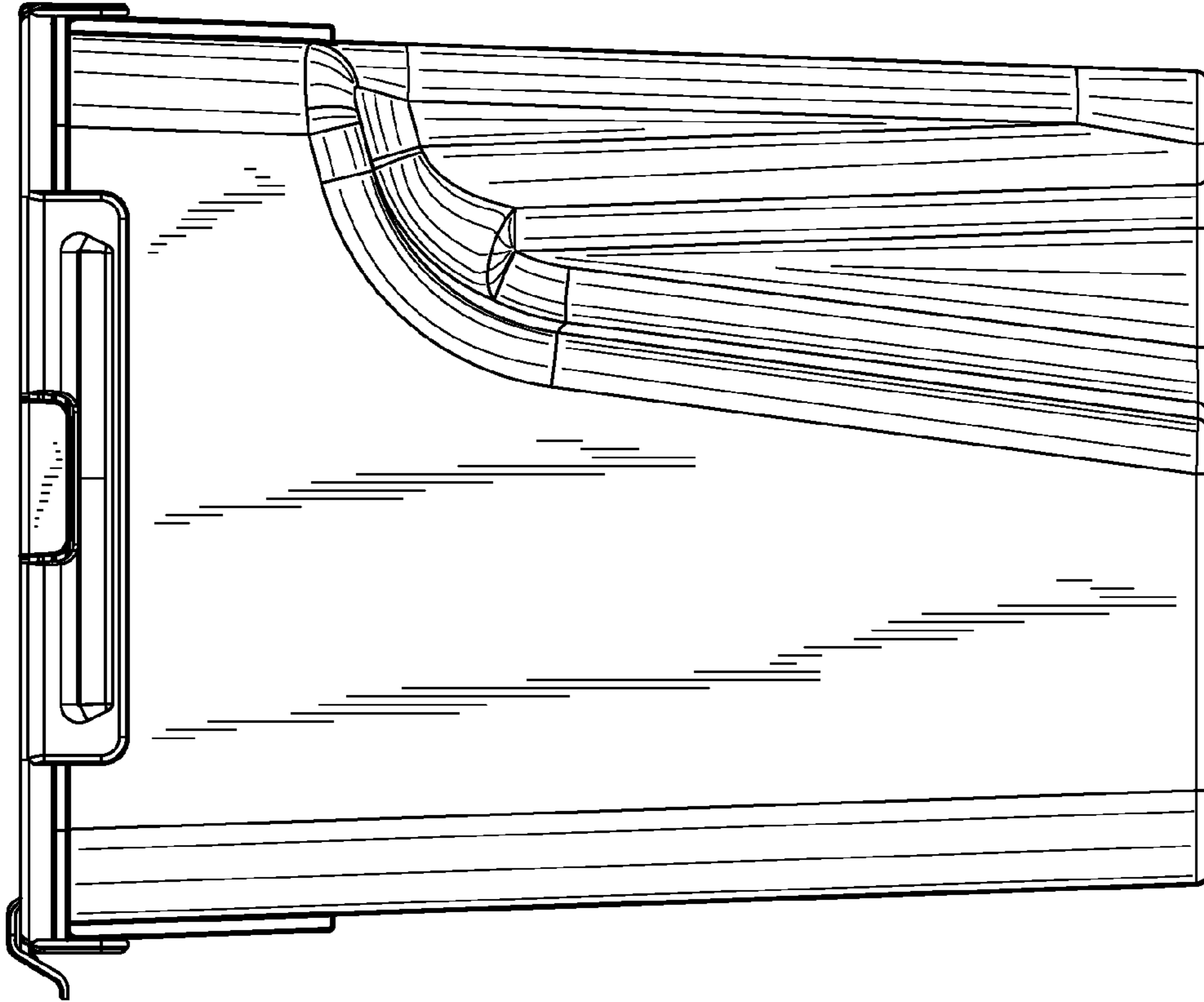


FIG. 2

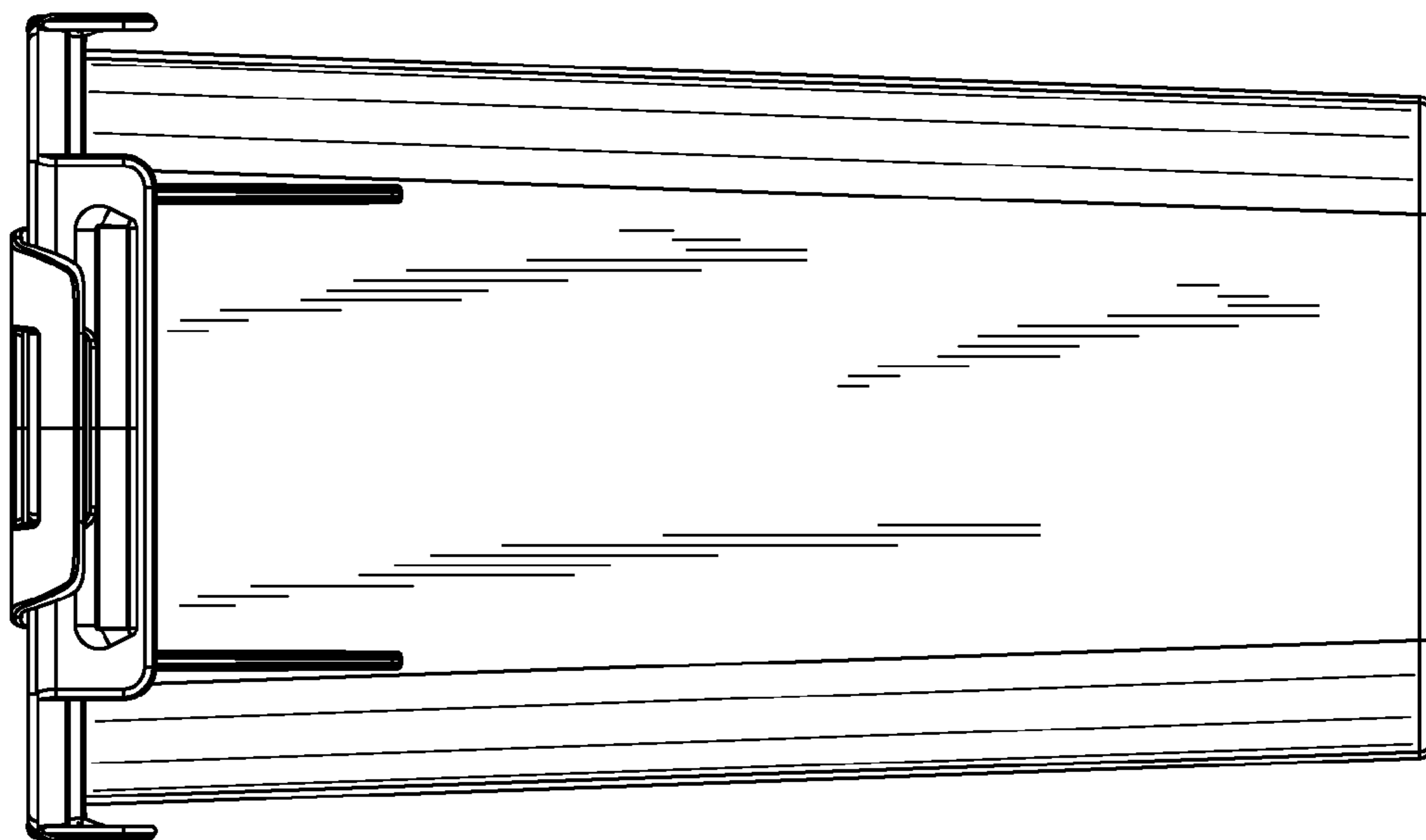


FIG. 5

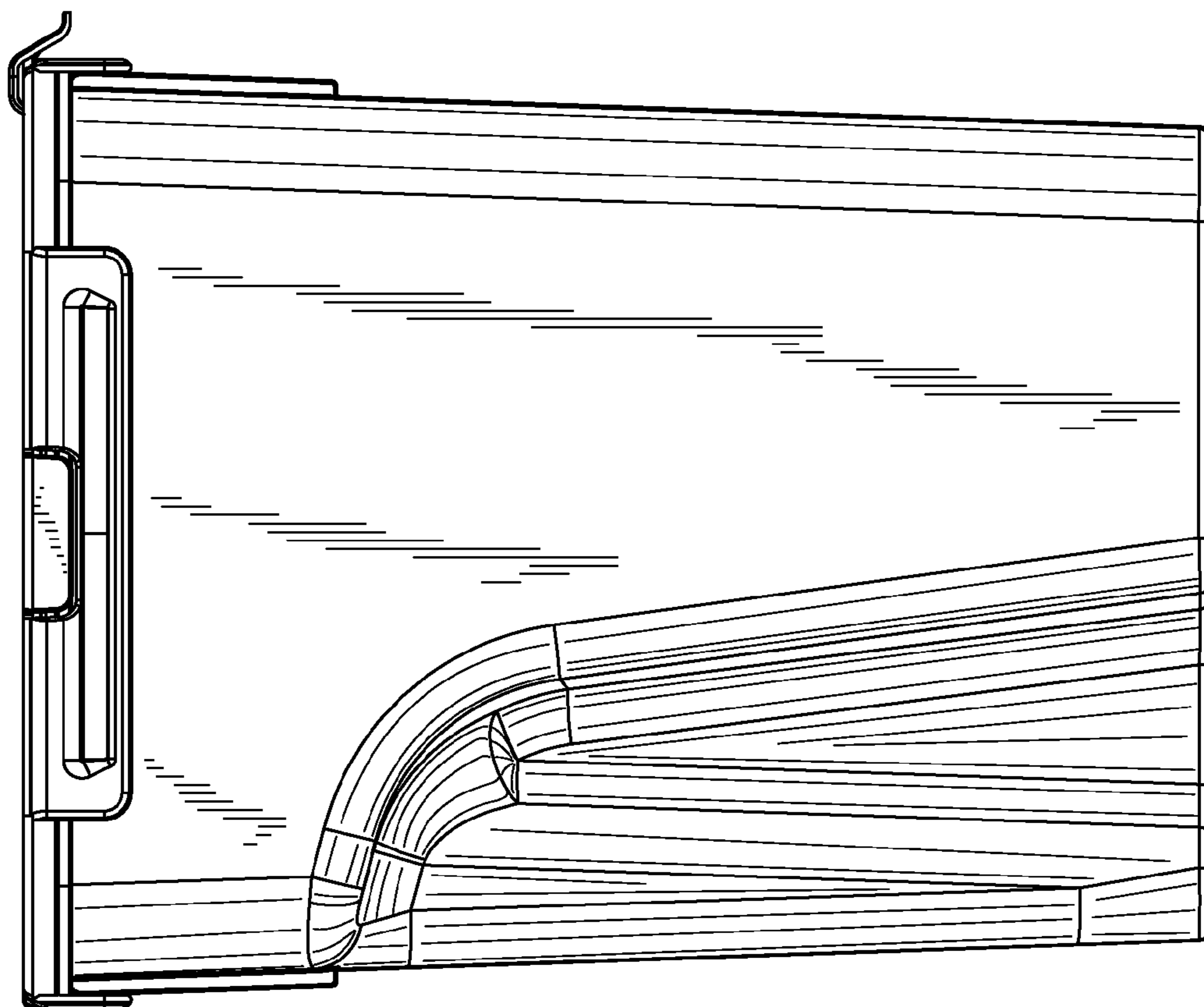


FIG. 4

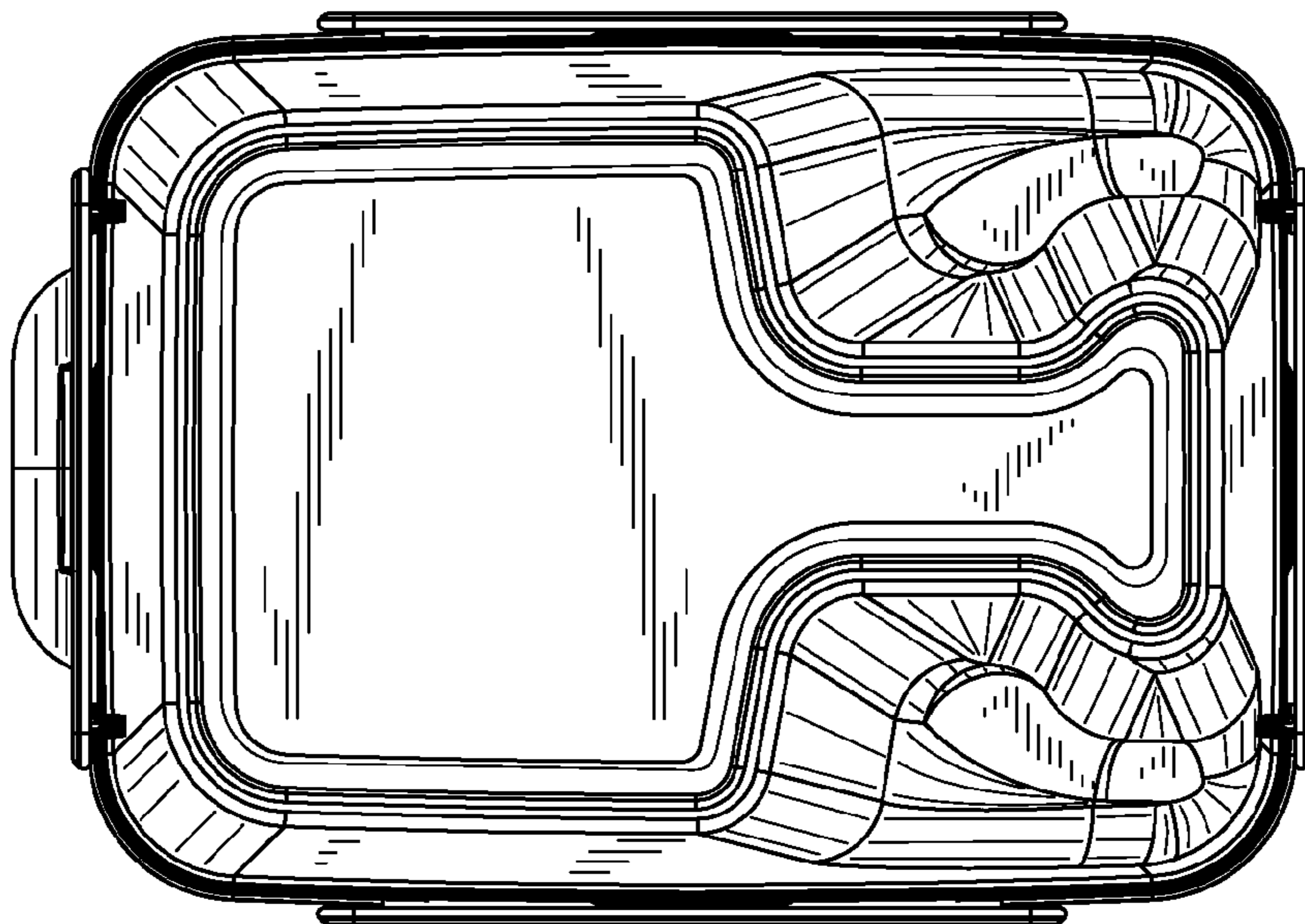


FIG. 6

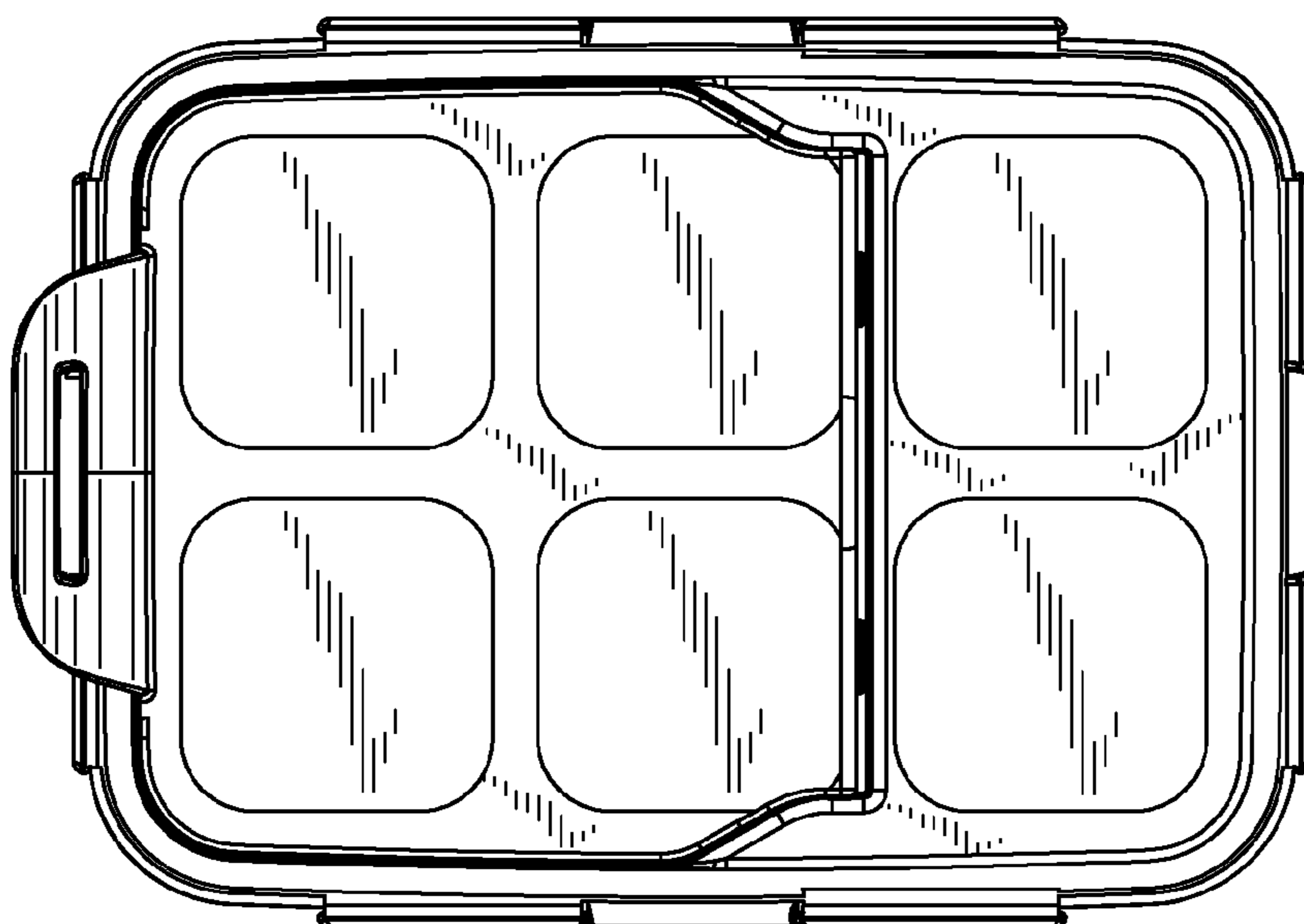


FIG. 7