



US00D632929S

(12) **United States Design Patent**  
**Lee**

(10) **Patent No.:** **US D632,929 S**

(45) **Date of Patent:** **\*\* \*Feb. 22, 2011**

(54) **COOLER WITH ROUND LEGS**

(76) Inventor: **Lawrence K. Lee**, 9320 Harwin Dr.,  
Houston, TX (US) 77036

(\*) Notice: This patent is subject to a terminal disclaimer.

(\*\*) Term: **14 Years**

(21) Appl. No.: **29/328,338**

(22) Filed: **Nov. 21, 2008**

(51) **LOC (9) Cl.** ..... **07-01**

(52) **U.S. Cl.** ..... **D7/606**

(58) **Field of Classification Search** ..... D7/601-602,  
D7/604-607, 619, 629, 641, 701, 703, 705-707,  
D7/709; 220/915.1-915.2, 592.01-592.03,  
220/592.09; 383/84, 86, 118; 150/100, 103,  
150/107, 110, 118; D6/432, 440, 480, 484;  
62/457.1-457.9, 371-372

See application file for complete search history.

(56) **References Cited**

**U.S. PATENT DOCUMENTS**

- D428,733 S \* 8/2000 Hazen et al. .... D6/441
- D437,736 S \* 2/2001 Moffett et al. .... D7/605
- D580,231 S \* 11/2008 Lee ..... D7/606
- D580,232 S \* 11/2008 Lee ..... D7/606

D591,562 S \* 5/2009 Lee ..... D7/606

\* cited by examiner

*Primary Examiner*—Ian Simmons

*Assistant Examiner*—Dana L Sipos

(74) *Attorney, Agent, or Firm*—Egbert Law Offices PLLC

(57) **CLAIM**

The ornamental design for a cooler with round legs, as shown and described.

**DESCRIPTION**

FIG. 1 is a top, front, right side perspective view of a cooler with round legs showing my new design.

FIG. 2 is a front elevation view thereof;

FIG. 3 is a rear elevation view thereof;

FIG. 4 is a right side elevation view thereof;

FIG. 5 is a left side elevation view thereof;

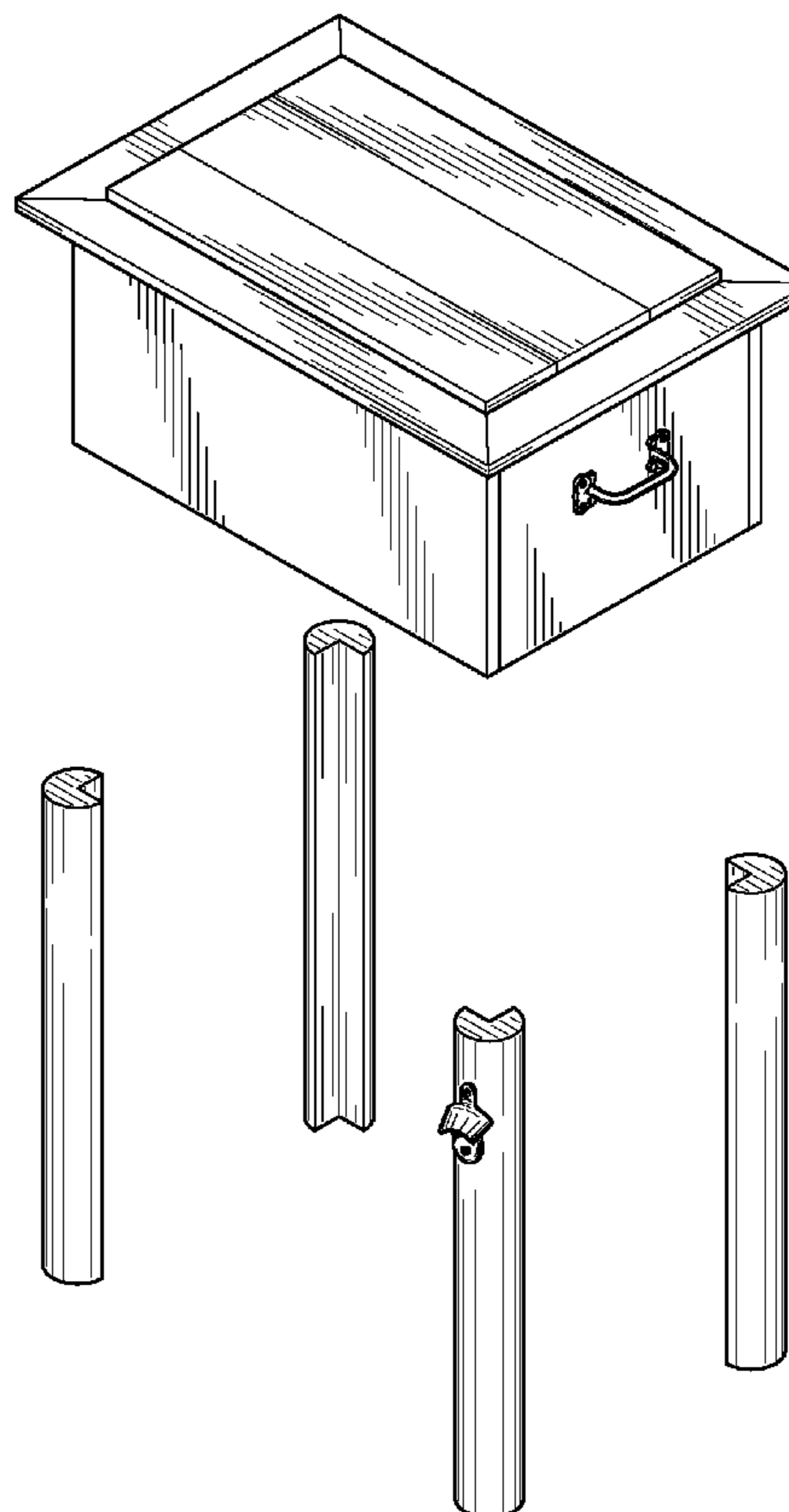
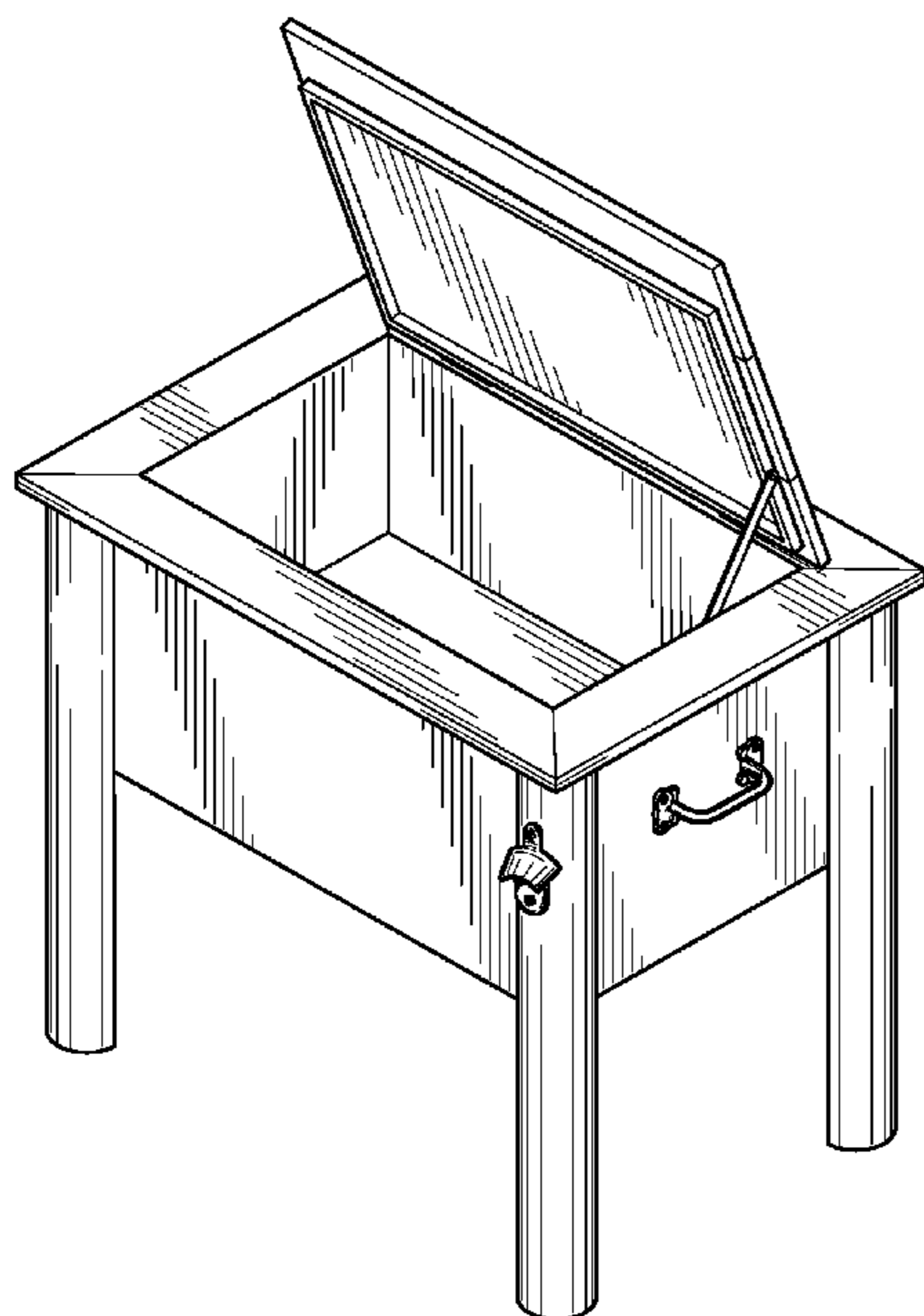
FIG. 6 is top plan view thereof;

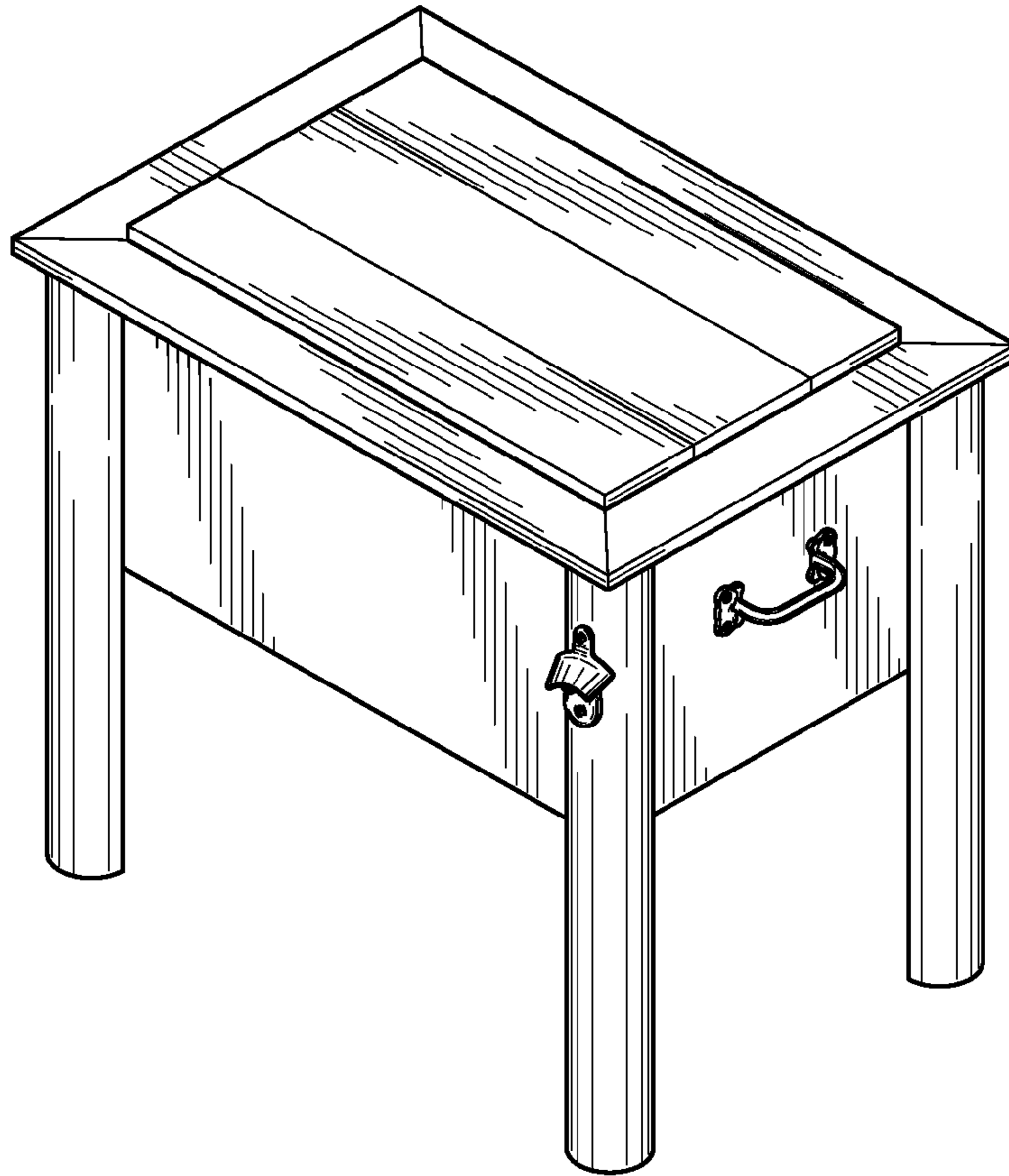
FIG. 7 is a bottom plan view thereof;

FIG. 8 is a top, front, right side perspective view of the cooler with round legs shown in the open position; and,

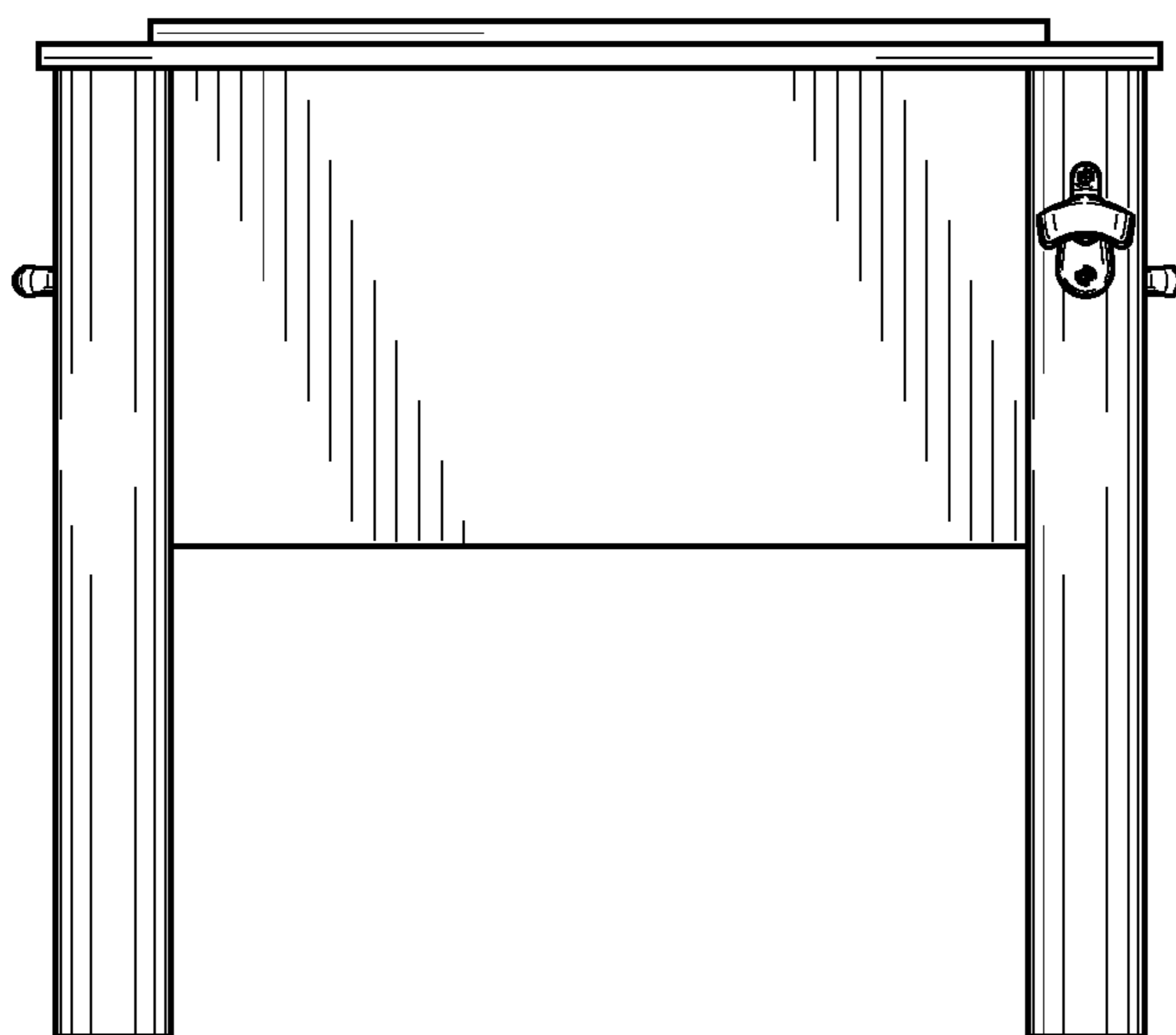
FIG. 9 is an exploded top, front, right side perspective view of the cooler with round legs, showing the legs in the detached position.

**1 Claim, 5 Drawing Sheets**

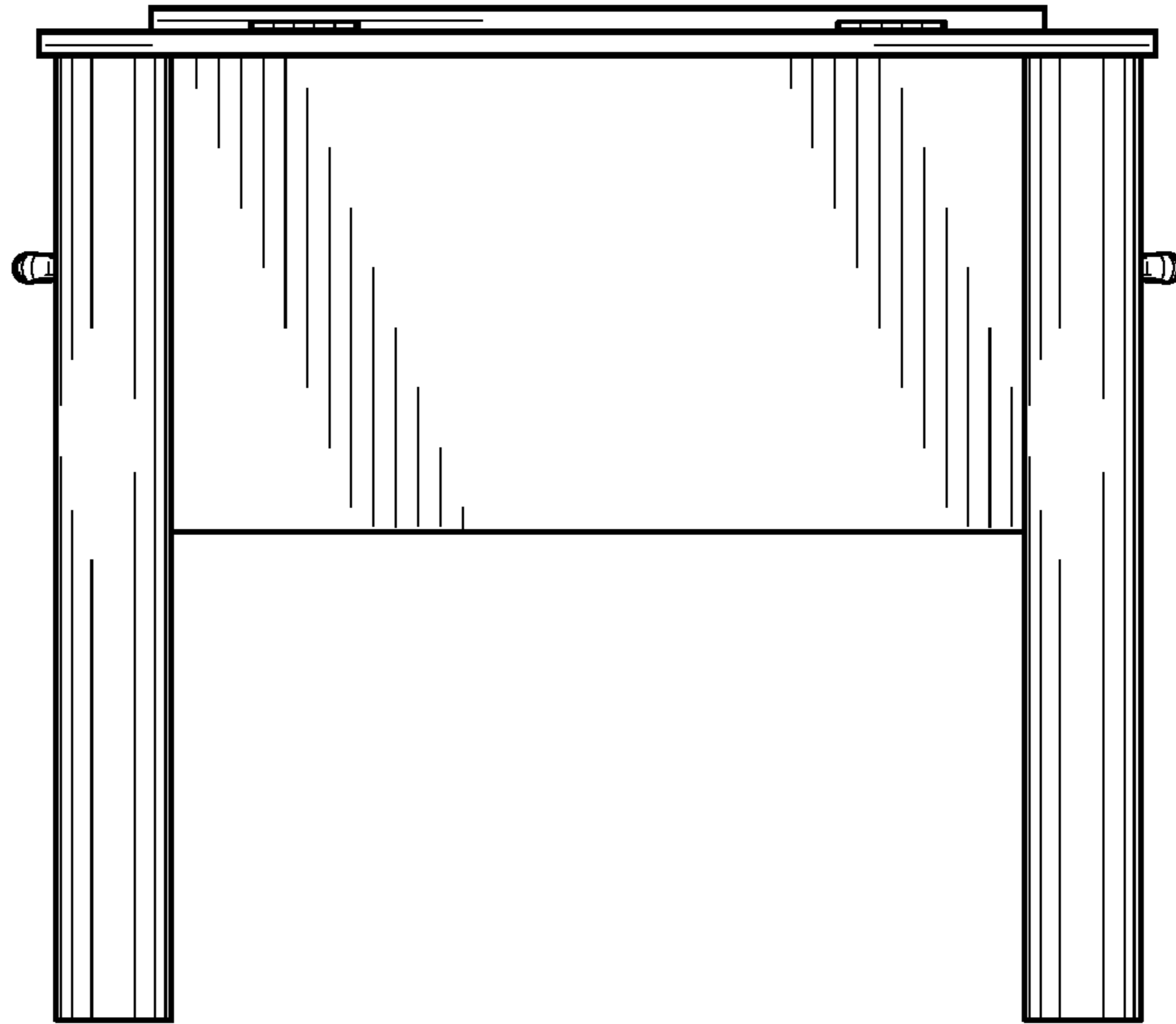




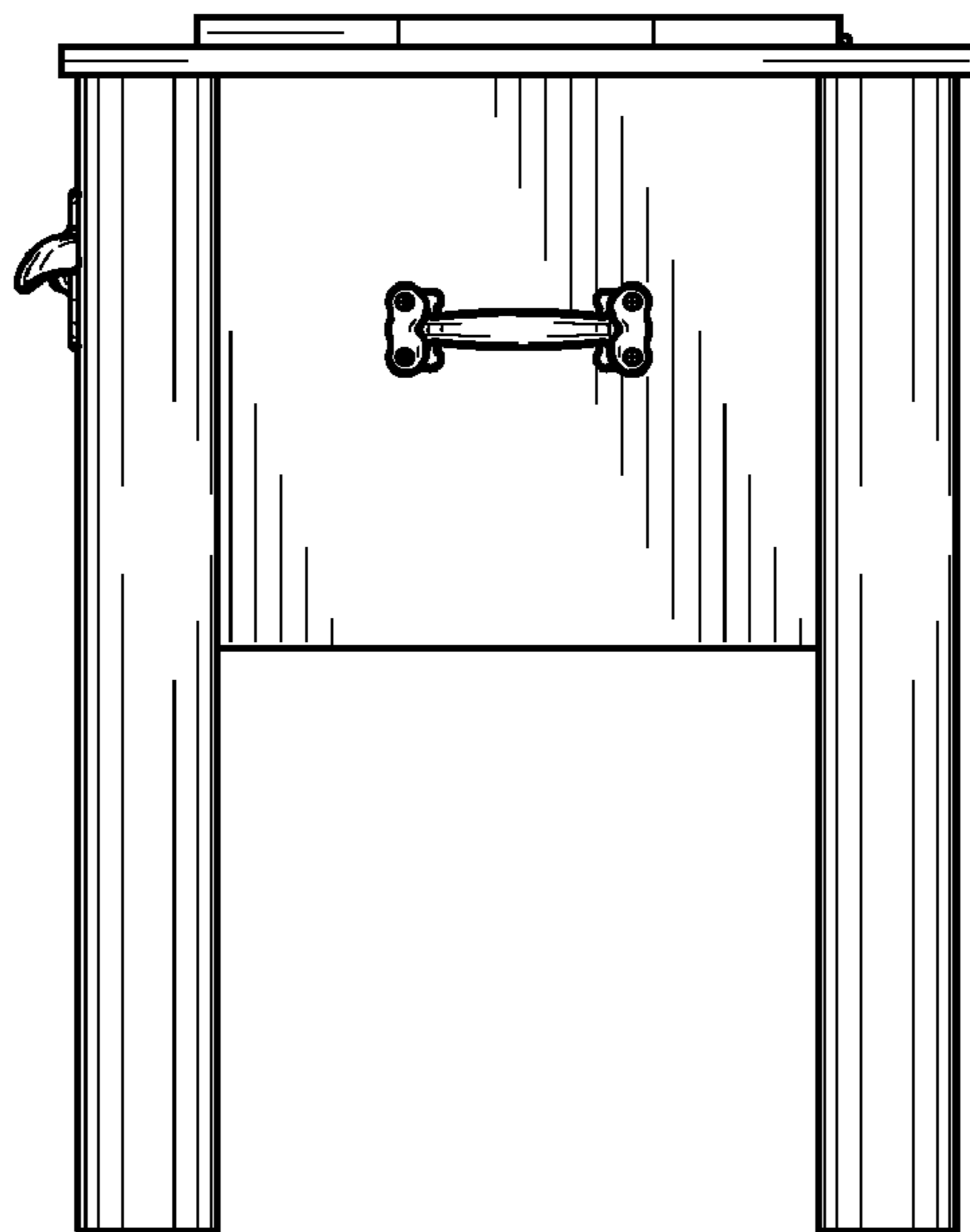
*FIG. 1*



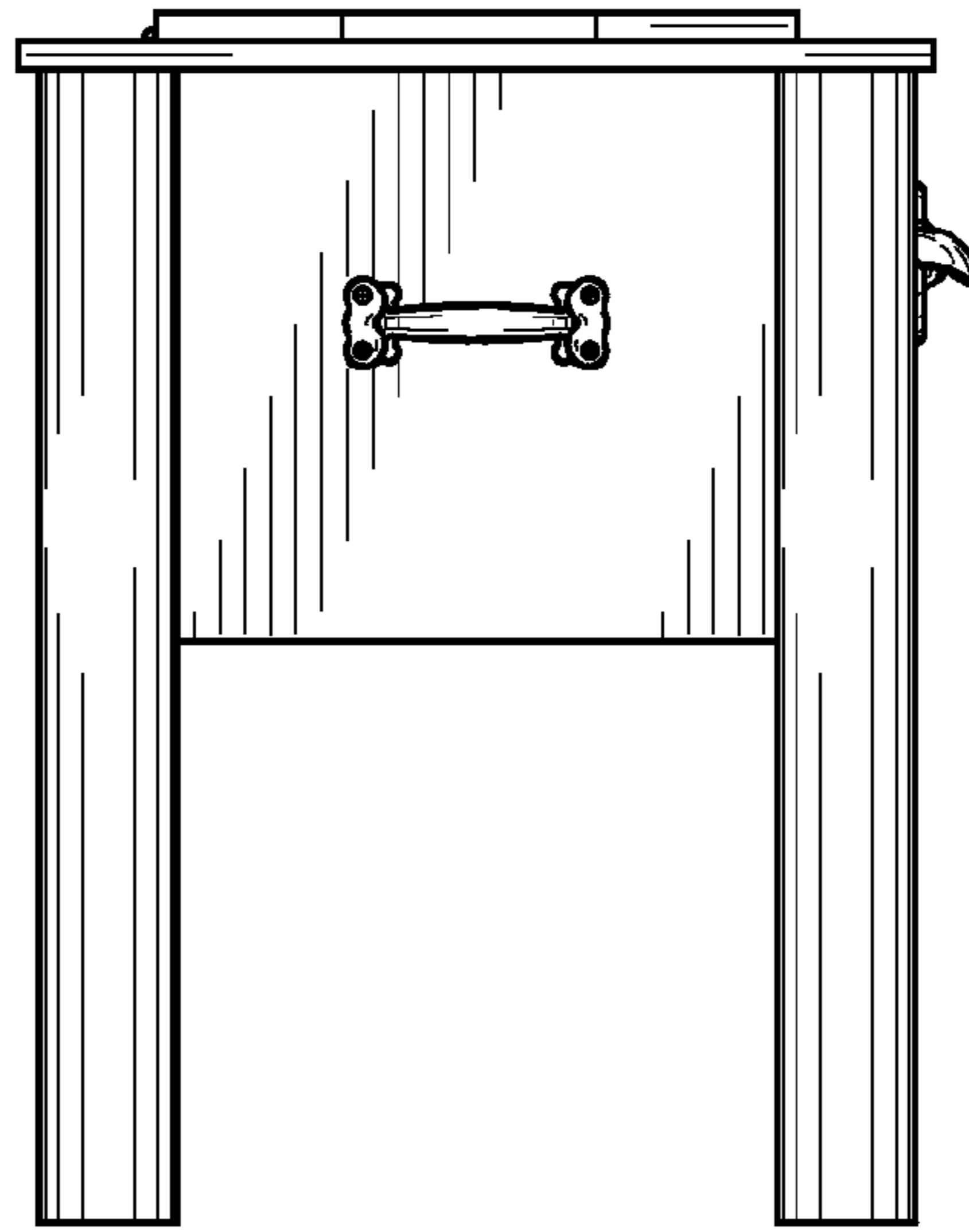
*FIG. 2*



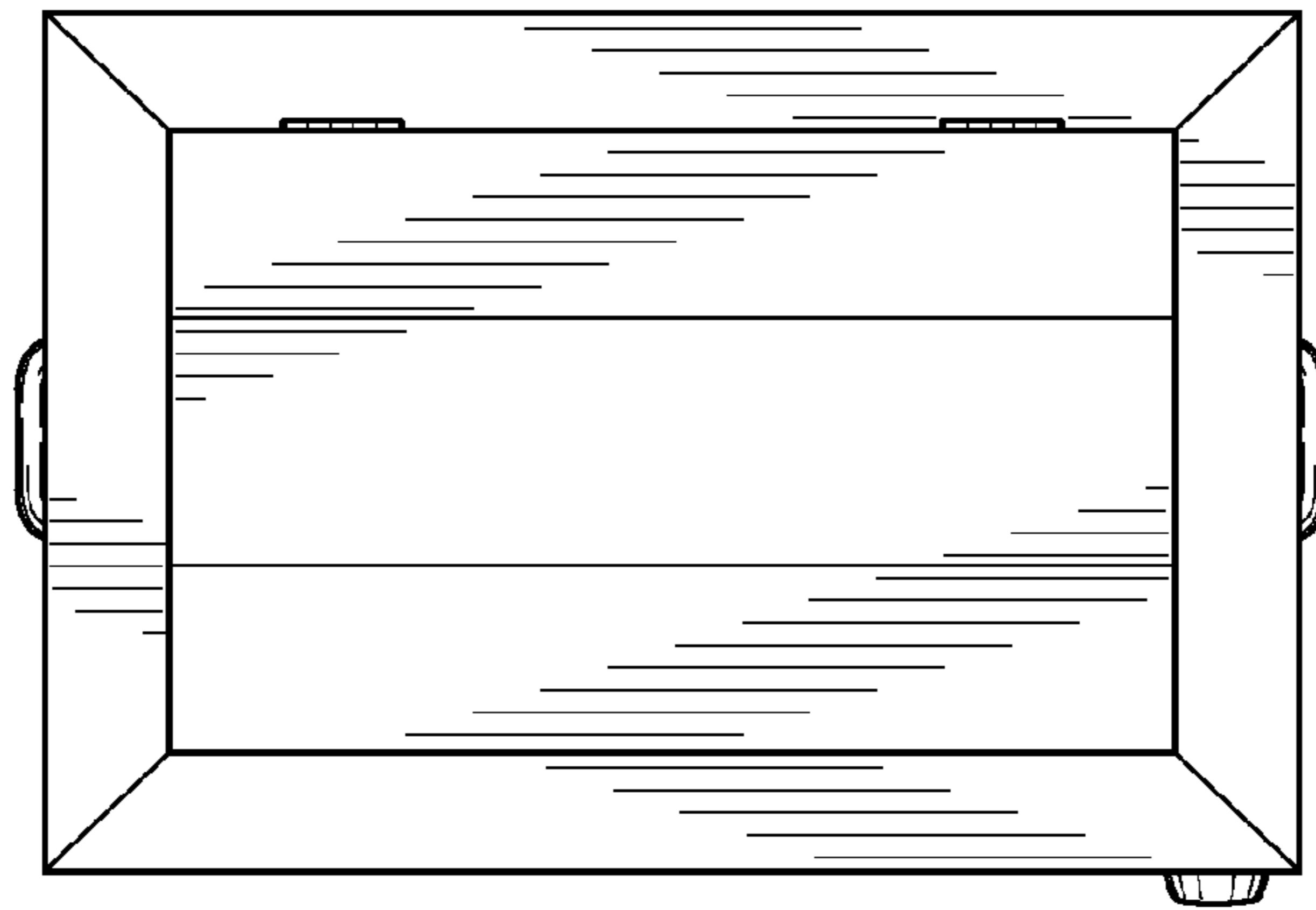
*FIG. 3*



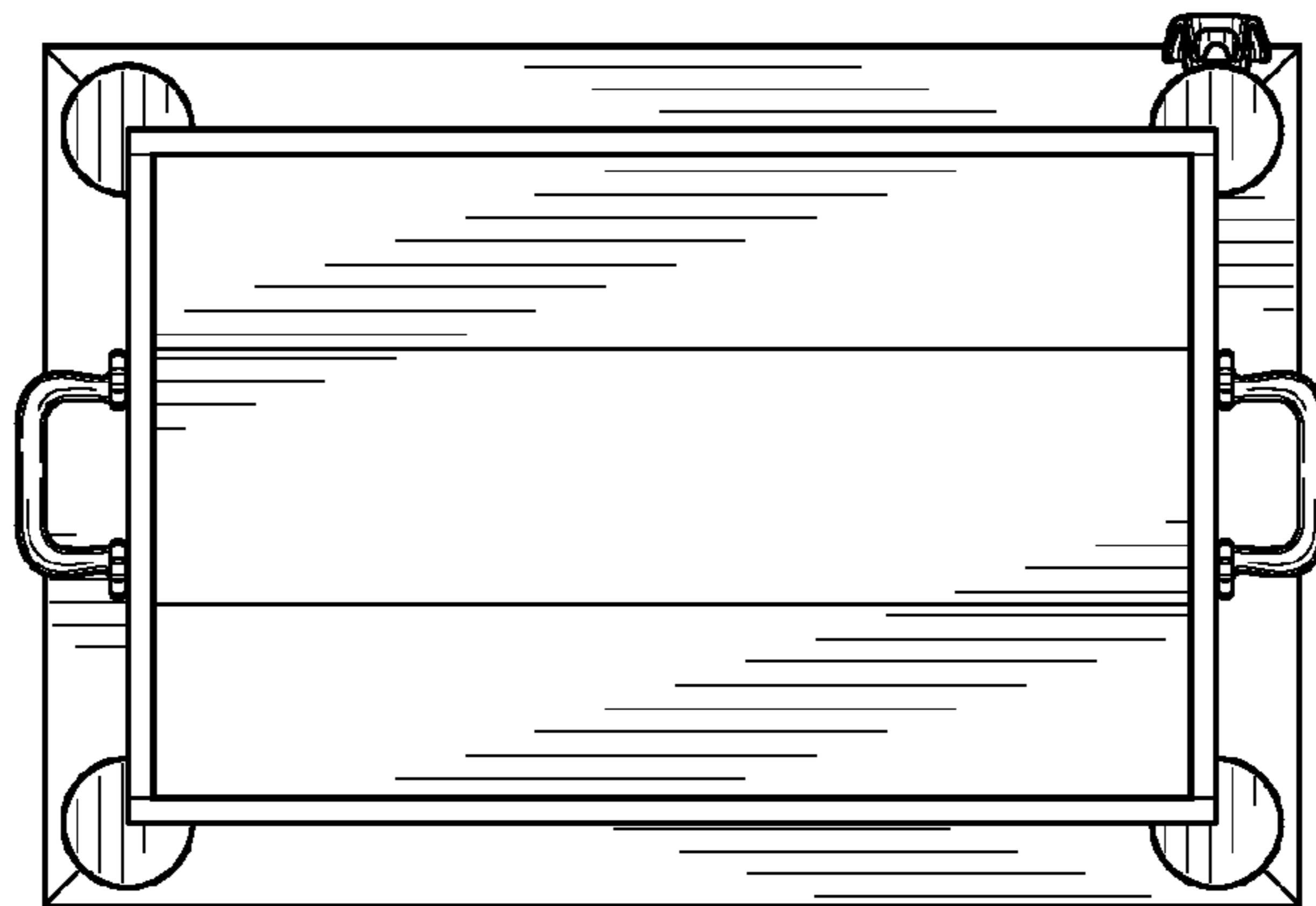
*FIG. 4*



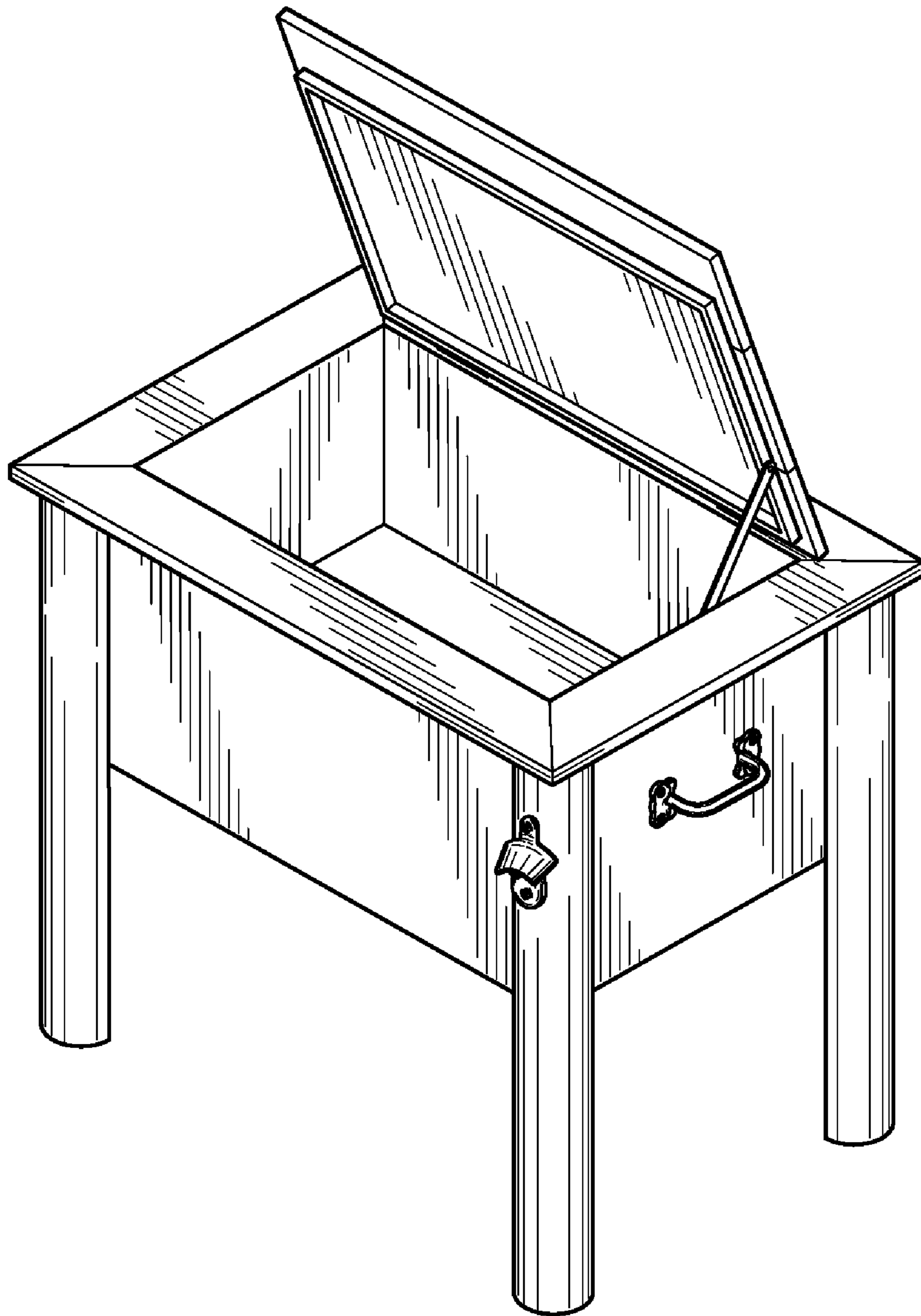
*FIG. 5*



*FIG. 6*



*FIG. 7*



**FIG. 8**

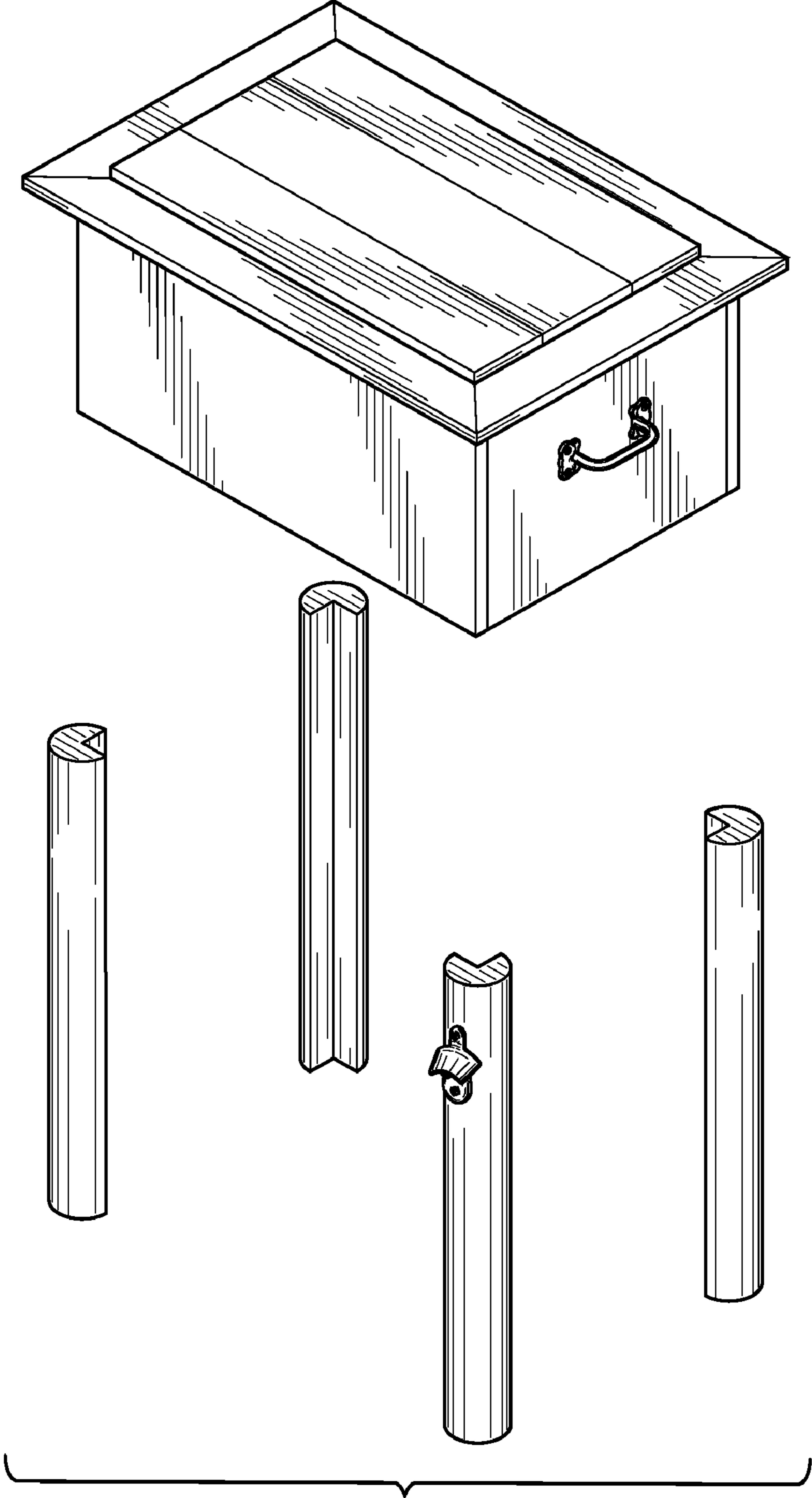


FIG. 9