



US00D632928S

(12) **United States Design Patent**  
**Smyers**

(10) **Patent No.:** **US D632,928 S**

(45) **Date of Patent:** **\*\* Feb. 22, 2011**

(54) **CONTAINER FOR CEREAL AND OTHER DRY FOODS AND THE LIKE**

(75) Inventor: **Justin Smyers**, Newport Beach, CA (US)

(73) Assignee: **Snapware Corporation**, Mira Loma, CA (US)

(\*\*) Term: **14 Years**

(21) Appl. No.: **29/368,105**

(22) Filed: **Aug. 18, 2010**

**Related U.S. Application Data**

(62) Division of application No. 29/350,067, filed on Nov. 10, 2009, now Pat. No. Des. 623,893.

(51) **LOC (9) Cl.** ..... **07-07**

(52) **U.S. Cl.** ..... **D7/602**

(58) **Field of Classification Search** ..... D7/391-392.1, D7/629, 612-615, 538-542, 601; D9/424-432, D9/434-436, 451-454, 456; 220/700, 701, 220/703, 711, 713-715, 719, 780-806  
See application file for complete search history.

(56) **References Cited**

**U.S. PATENT DOCUMENTS**

D199,505 S \* 11/1964 Swett ..... D7/629

D284,728 S \* 7/1986 Trivison ..... D7/629  
D311,665 S \* 10/1990 Carlson ..... D7/629  
D469,011 S \* 1/2003 Miller ..... D3/302  
D511,655 S \* 11/2005 Kim ..... D7/629  
D539,612 S \* 4/2007 Foss ..... D7/629  
D540,493 S \* 4/2007 Fick ..... D30/133  
D601,857 S \* 10/2009 Carlson ..... D7/602

\* cited by examiner

*Primary Examiner*—Terry A Wallace

(74) *Attorney, Agent, or Firm*—Larry K. Roberts

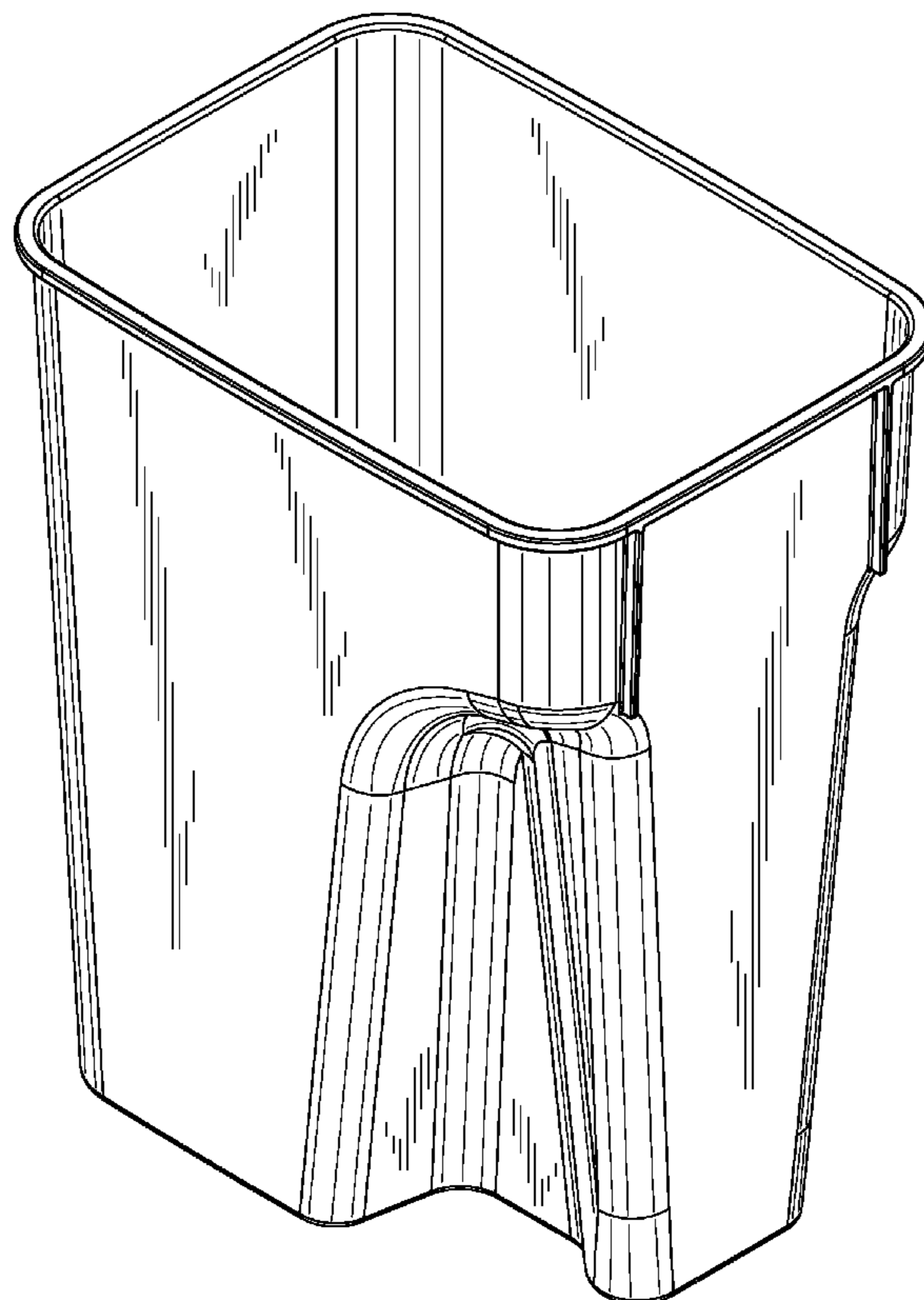
(57) **CLAIM**

The ornamental design for a container for cereal and other dry foods and the like, as shown and described.

**DESCRIPTION**

FIG. 1 is an isometric view of an embodiment of the design; FIG. 2 is a left side view of the embodiment of FIG. 1; FIG. 3 is a front view of the embodiment of FIG. 1; FIG. 4 is a right side view of the embodiment of FIG. 1; FIG. 5 is a rear view of the embodiment of FIG. 1; FIG. 6 is a bottom view of the embodiment of FIG. 1; and, FIG. 7 is a top view of the embodiment of FIG. 1.

**1 Claim, 4 Drawing Sheets**



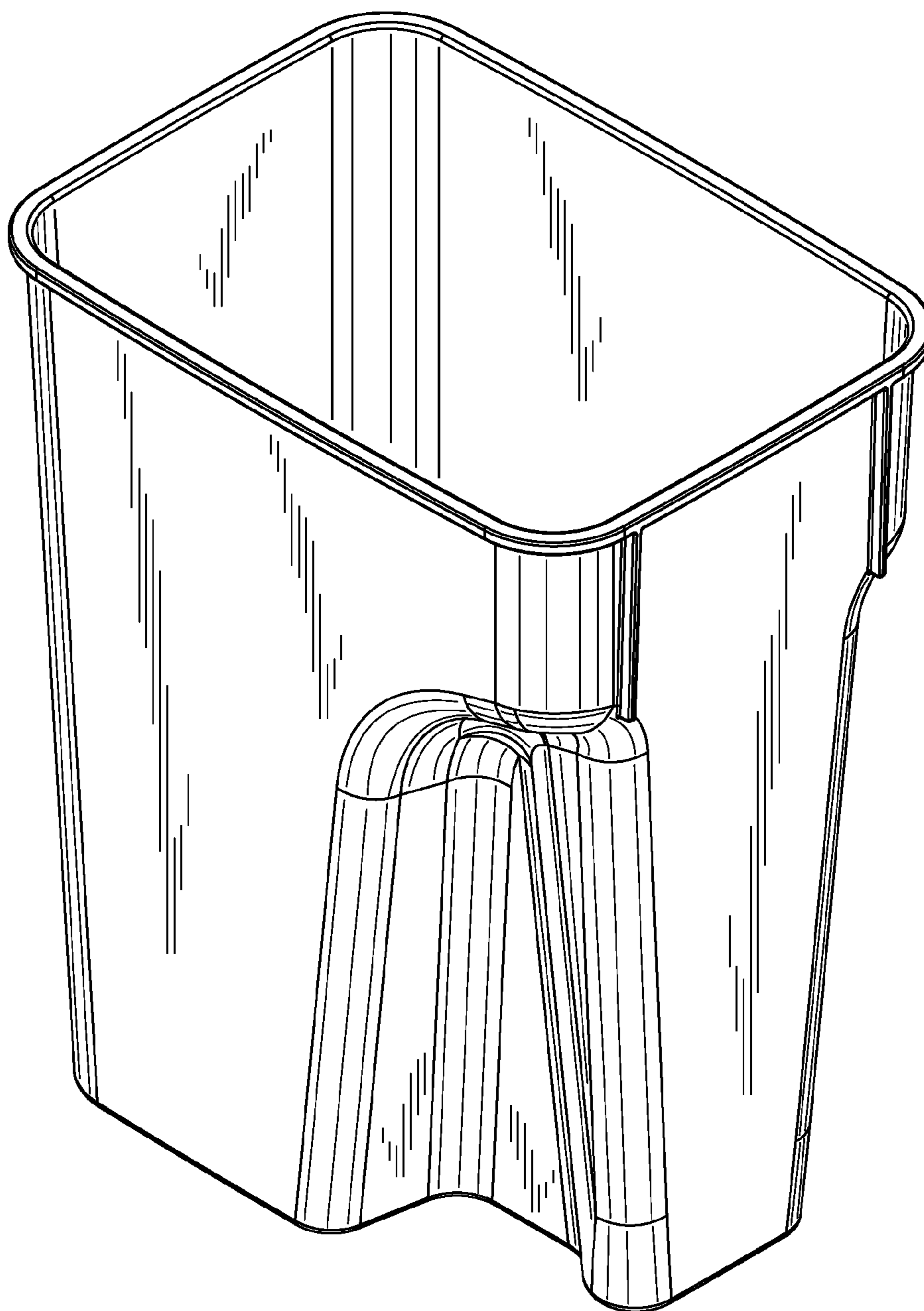


FIG. 1

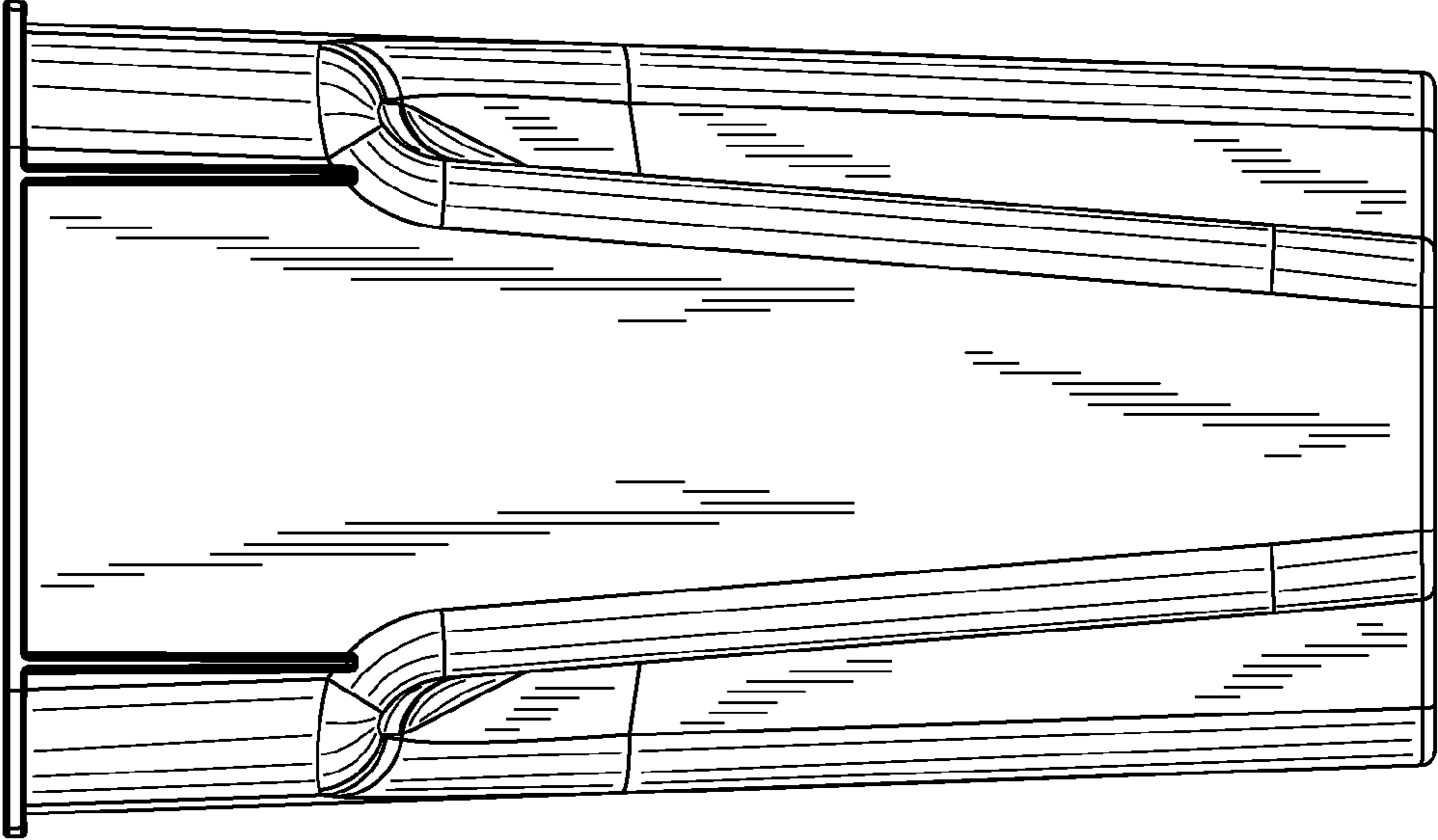


FIG. 3

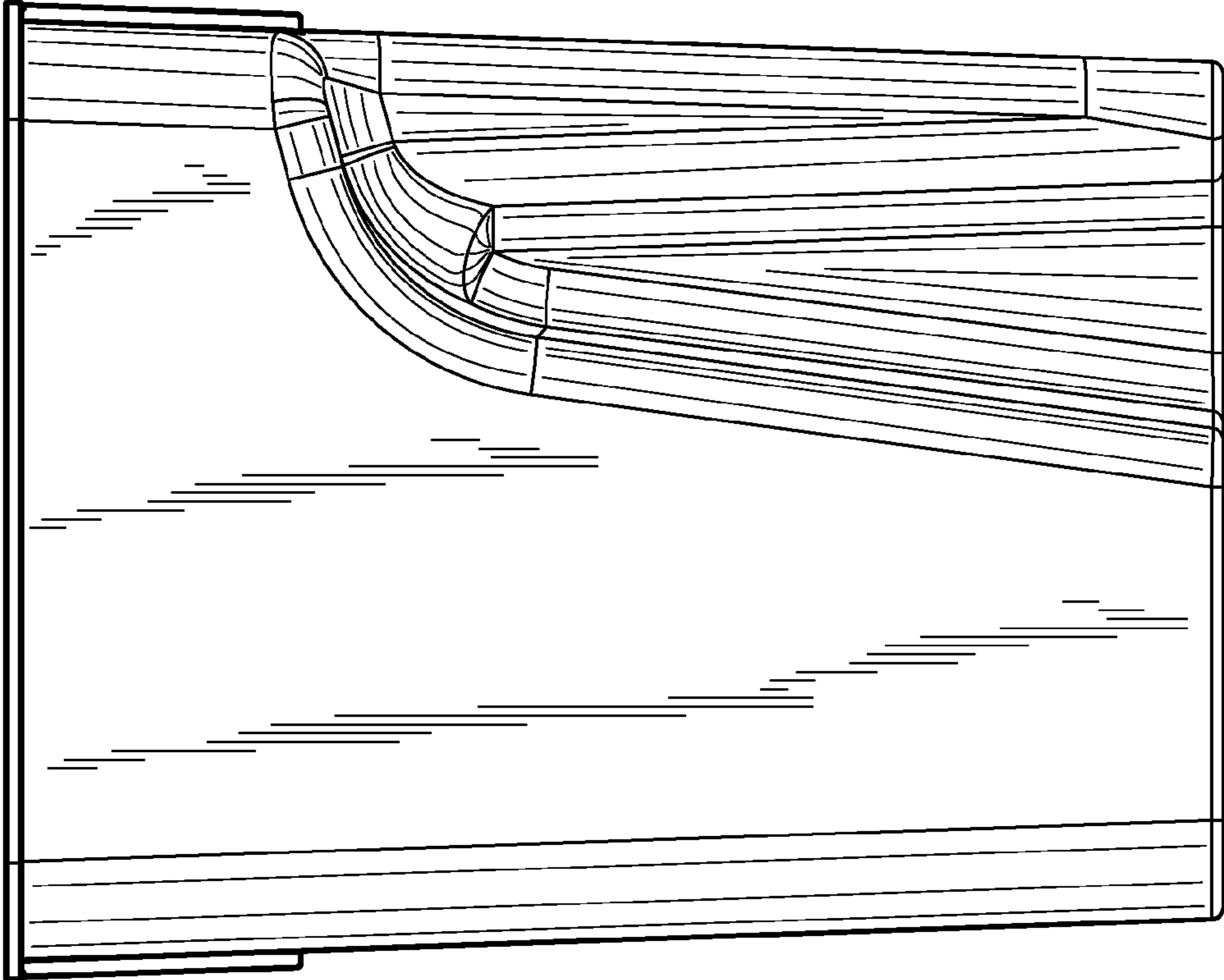


FIG. 2

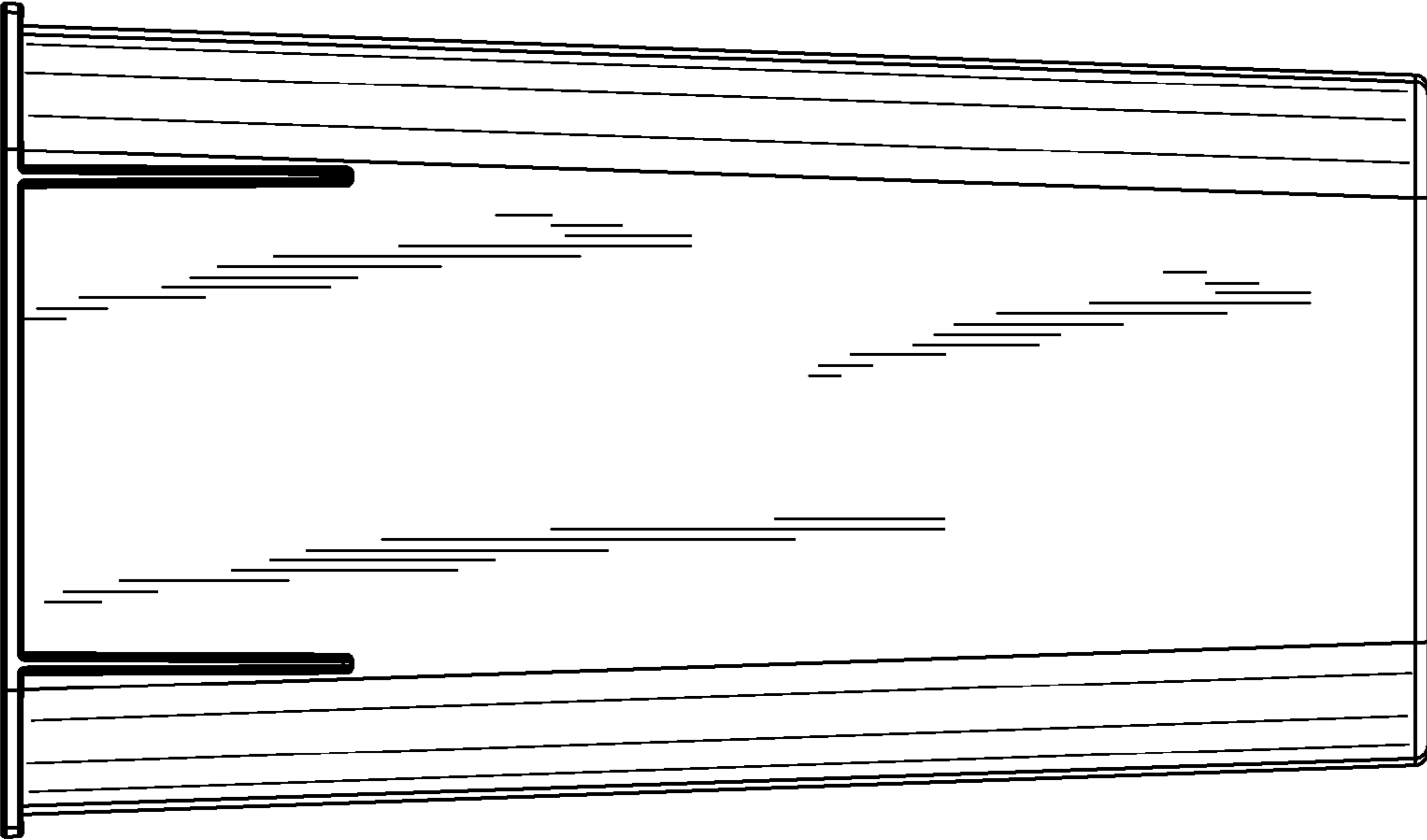


FIG. 5

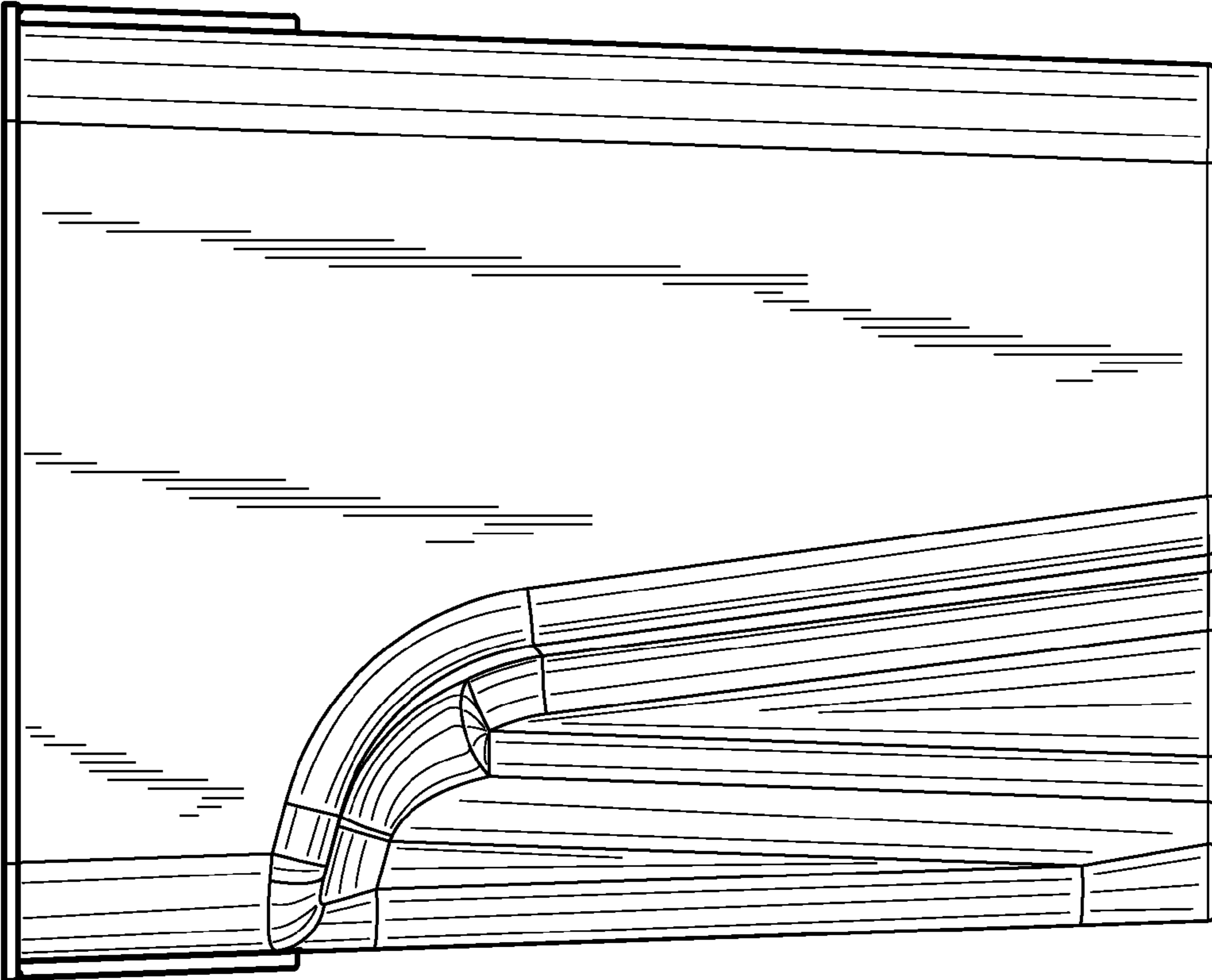


FIG. 4

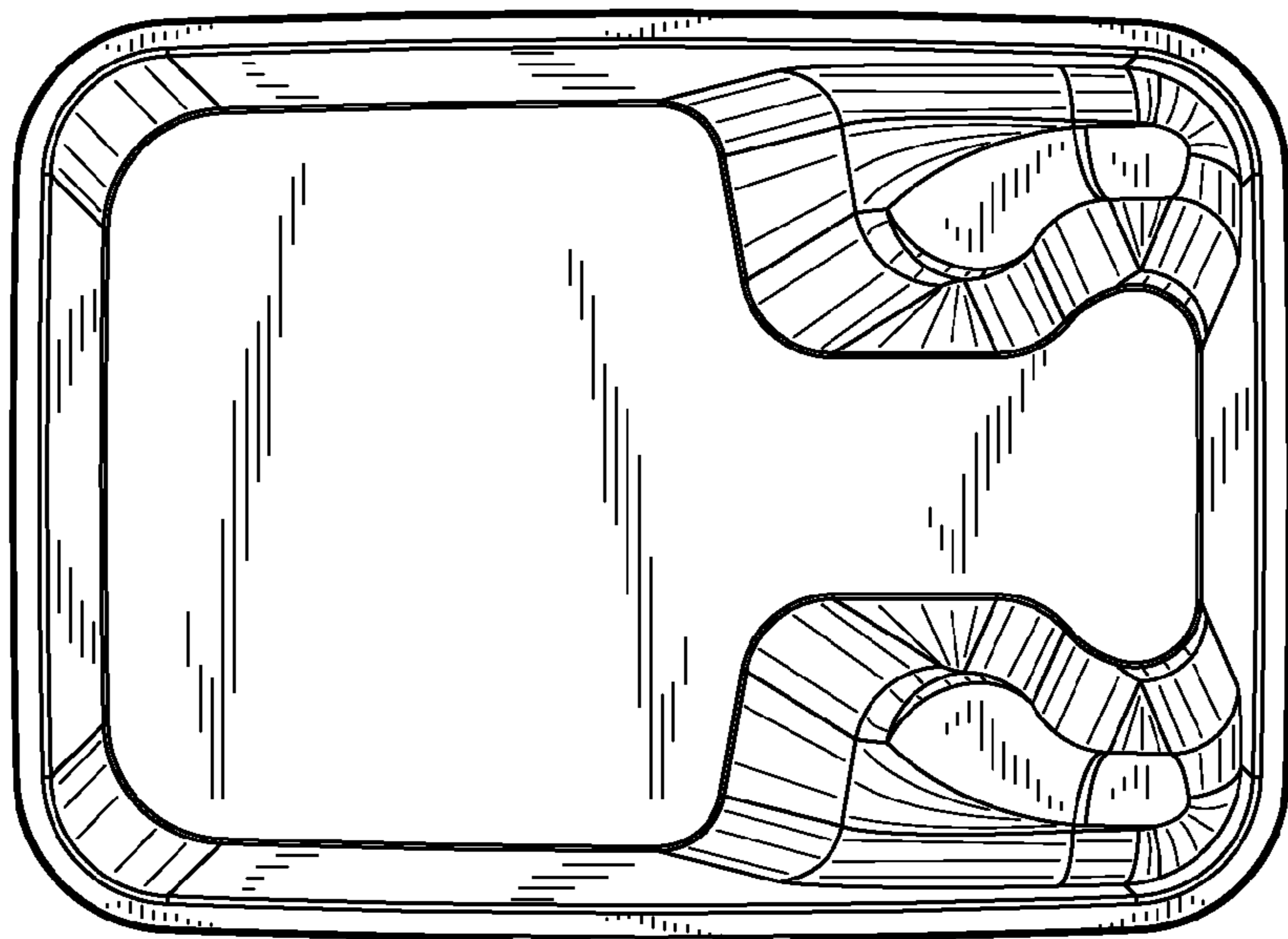


FIG. 7

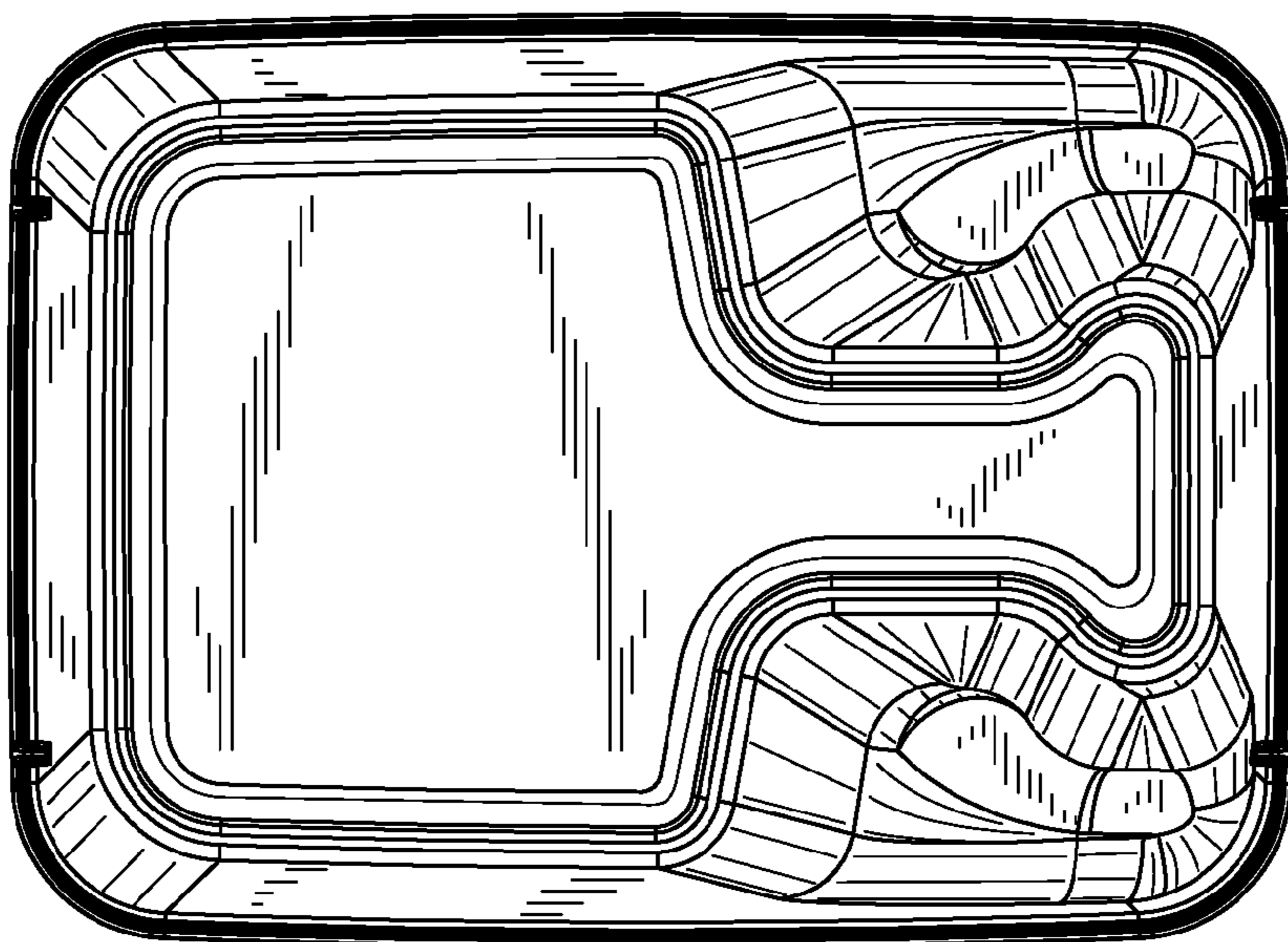


FIG. 6