



US00D632924S

(12) **United States Design Patent**
Gebhardt et al.

(10) **Patent No.:** **US D632,924 S**

(45) **Date of Patent:** **** Feb. 22, 2011**

(54) **FROTHING NOZZLE**

D623,271 S * 9/2010 Yamada D23/233

(75) Inventors: **Lutz Gebhardt**, Steinhausen (CH);
Frank Bosshard, Zurich (CH)

OTHER PUBLICATIONS

(73) Assignee: **Jura Elektroapparate AG**,
Niederbuchsiten (CH)

Jura's coffee machines: Impressa S9 One Touch :: Québec (Canada) [online] [retrieved Feb. 16, 2010]. Retrieved from the Internet: <URL: http://www.edika.jura.com/en/home_blackcat_x/products_home_use/s_line/impressa_s9_ot-cappu...>. 1 page.

(**) Term: **14 Years**

Jura Impressa S9 coffee machine [online] [retrieved Dec. 24, 2009]. Retrieved from the Internet: <URL: http://www.ch.jura.com/s9_otc-330x250_large.jpg>. 1 page.

(21) Appl. No.: **29/353,375**

Machines à café de Jura: Impressa J9 Jura Suisse [online] [retrieved Feb. 16, 2010]. Retrieved from the Internet: <URL: http://www.ch.jura.com/fr/home_ch_x/impressa_j9.htm>. 1 page.

(22) Filed: **Jan. 7, 2010**

Jura Impressa J9 coffee machine [online] [retrieved Dec. 24, 2009]. Retrieved from the Internet: <URL: http://www.ch.jura.com/j9_platin_330x250_large.jpg>. 1 page.

(51) **LOC (9) Cl.** **07-99**

(52) **U.S. Cl.** **D7/398; D7/397; D7/399**

(58) **Field of Classification Search** D7/397,
D7/398, 399, 379, 309-311; D23/233; 261/DIG. 6;
222/190; 99/323.1, 293, 282

(Continued)

See application file for complete search history.

Primary Examiner—Marianne Pandozzi

(56) **References Cited**

(74) *Attorney, Agent, or Firm*—Alston & Bird LLP

U.S. PATENT DOCUMENTS

(57) **CLAIM**

- 5,330,266 A * 7/1994 Stubaus 366/101
- 5,551,988 A 9/1996 Reyhanloo et al.
- 5,738,002 A * 4/1998 Marano-Ducarne 99/293
- D396,995 S * 8/1998 Miltenberger D7/398
- 5,931,080 A * 8/1999 Roure Boada 99/293
- D440,631 S * 4/2001 Shipway D23/233
- 6,293,187 B1 * 9/2001 Zils 99/323.1
- D450,533 S * 11/2001 Bellon et al. D7/398
- 6,626,086 B2 * 9/2003 Eugster 99/323.1
- D486,346 S 2/2004 Jonsson
- D490,647 S * 6/2004 Buesching D7/379
- D523,279 S 6/2006 Zemp
- 7,069,843 B2 * 7/2006 Paoletti 99/453
- D547,116 S 7/2007 Ranzoni
- D562,066 S * 2/2008 Palmer-Baker D7/398
- D584,096 S 1/2009 Lutz
- D586,604 S 2/2009 Buttler
- D587,511 S 3/2009 Buttler
- 7,509,907 B2 * 3/2009 Ozanne 99/293

We claim the ornamental design for a frothing nozzle, as shown and described.

DESCRIPTION

FIG. 1 is a perspective view of a frothing nozzle of our new design;

FIG. 2 is a right side elevation view thereof;

FIG. 3 is a left side elevation view thereof;

FIG. 4 is a front elevation view thereof;

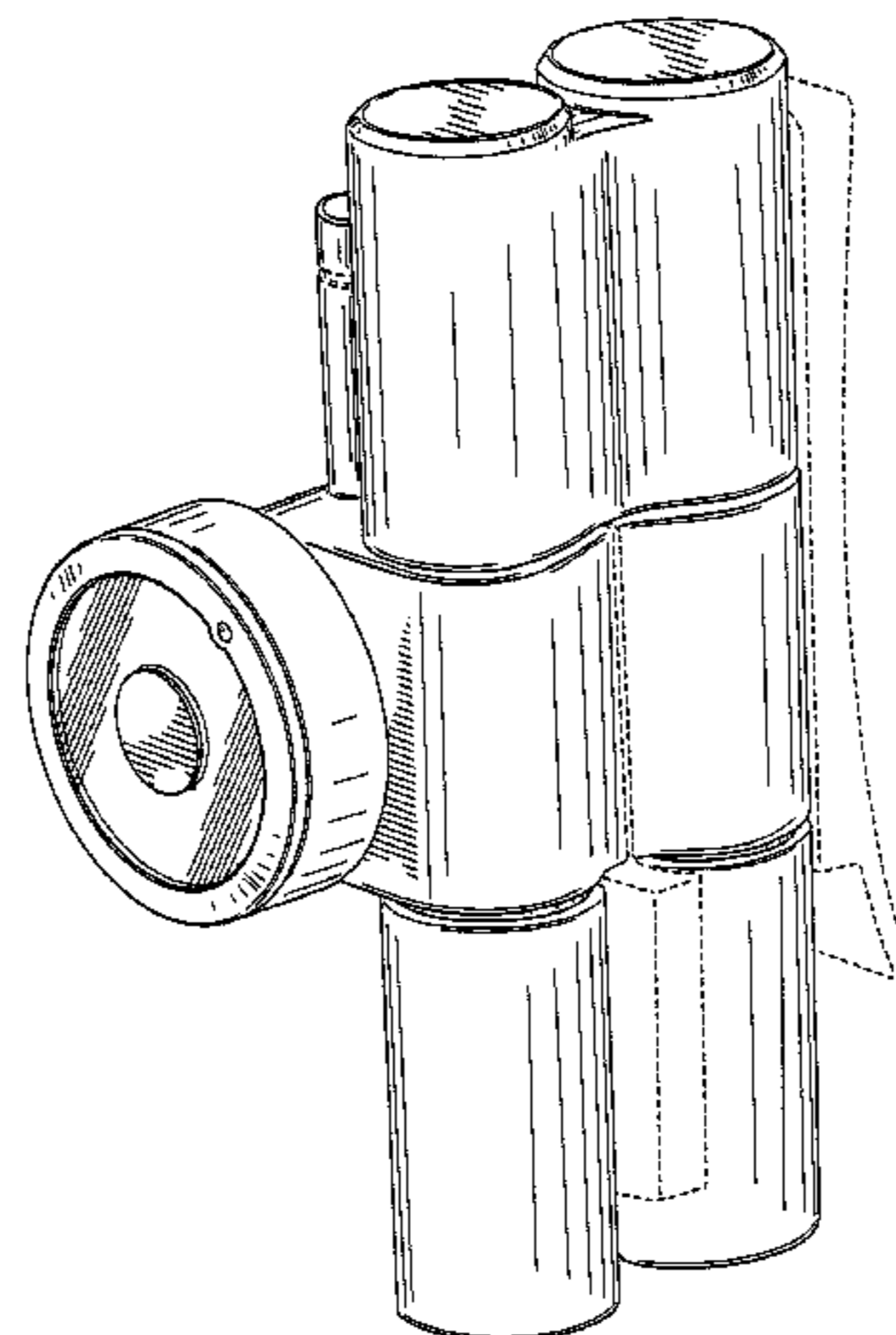
FIG. 5 is a rear elevation view thereof;

FIG. 6 is a top plan view thereof; and,

FIG. 7 is a bottom plan view thereof.

The broken lines in the drawings are included for the purpose of illustration and form no part of the claimed design.

1 Claim, 6 Drawing Sheets



OTHER PUBLICATIONS

Jura's coffee machines: Impressa F9 :: Jura South East Asia [online] [retrieved Feb. 16, 2010]. Retrieved from the Internet: <URL: http://www.sea.jura.com/home_fairfax_x/products_home_use_ov/f_line/impressa_f9.htm>. 1 page.

Jura Impressa F9 coffee machine [online] [retrieved Dec. 24, 2009]. Retrieved from the Internet: <URL: http://www.ch.jura.com/f9chrom_330x250_large.jpg>. 1 page.

Jura's coffee machines: Impressa XS95 :: UK Commercial use [online] [retrieved Feb. 16, 2010]. Retrieved from the Internet: <URL: http://www.stylecafe.jura.com/home_stylecafe_x/products_commercial_use2/impressa_xs95.htm>. 1 page.

Jura Impressa XS95 coffee machine [online] [retrieved Dec. 24, 2009]. Retrieved from the Internet: <URL: http://www.stylecafe.jura.com/xs95_330x250_large.jpg>. 1 page.

Jura's coffee machines: Impressa XS90 :: UK Commercial use [online] [retrieved Feb. 16, 2010]. Retrieved from the Internet: <URL: http://www.stylecafe.jura.com/home_stylecafe_x/products_commercial_use2/impressa_xs90.htm>. 1 page.

Jura Impressa XS90 coffee machine [online] [retrieved Dec. 24, 2009]. Retrieved from the Internet: <URL: http://www.stylecafedura.com/xs90_330x250_large.jpg>. 1 page.

Jura's coffee machines: Impressa XF70 :: UK Commercial use [online] [retrieved Feb. 16, 2010]. Retrieved from the Internet: <URL: [http://www.stylecafe.jura.com/home_stylecafe_x/products_commercial_use2/impressa_xf70.htm?...>. 1 page.](http://www.stylecafe.jura.com/home_stylecafe_x/products_commercial_use2/impressa_xf70.htm?...)

Jura Impressa XF70 coffee machine [online] [retrieved Dec. 24, 2009]. Retrieved from the Internet: <URL: http://www.stylecafe.jura.com/xf70_330x250_large.jpg>. 1 page.

Jura's coffee machines: Impressa X5 :: UK Commercial use [online] [retrieved Feb. 16, 2010]. Retrieved from the Internet: <URL: http://www.stylecafe.jura.com/home_stylecafe_x/products_commercial_use2/impressa_x5.htm>. 1 page.

Jura Impressa X5 coffee machine [online] [retrieved Dec. 24, 2009]. Retrieved from the Internet: <URL: http://www.stylecafe.jura.com/x5_330x250_large.jpg>. 1 page.

Jura's coffee machines: Impressa J5 :: Jura United Kingdom [online] [retrieved Feb. 16, 2010]. Retrieved from the Internet: <URL: http://www.uk.jura.com/home_uk_x/products_home_use/j_line/impressa_j5.htm>. 1 page.

Jura Impressa J5 coffee machine [online] [retrieved Feb. 16, 2010]. Retrieved from the Internet: <URL: http://www.sea.jura.com/j5whitewhite_330x250_large.jpg>. 1 page.

Jura's coffee machines: Impressa X9 platinum :: [online] [retrieved Feb. 16, 2010]. Retrieved from the Internet: <URL: http://www.jura.com/home_x/products_commercial_use2/impressa_x9_platine.htm>. 1 page.

Jura Impressa X9 coffee machine [online] [retrieved Dec. 24, 2009]. Retrieved from the Internet: <URL: http://www.stylecafe.jura.com/x9chrom_330x250_large.jpg>. 1 page.

Jura's coffee machines: Impressa X7-S :: UK Commercial use [online] [retrieved Feb. 16, 2010]. Retrieved from the Internet: <URL: http://www.stylecafe.jura.com/home_stylecafe_x/products_commercial_use2/impressa_x7-s.htm>. 1 page.

Jura Impressa X7-S coffee machine [online] [retrieved Dec. 24, 2009]. Retrieved from the Internet: <URL: http://www.stylecafe.jura.com/x7s_330x250_large.jpg>. 1 page.

Jura's coffee machines: Impressa Accessories, Professional Cappuccino Frother [online] [retrieved Feb. 16, 2010]. Retrieved from the Internet: <URL: [http://www.stylecafe.jura.com/home_stylecafe_x/products_commercial_use2/products_profession...>. 1 page.](http://www.stylecafe.jura.com/home_stylecafe_x/products_commercial_use2/products_profession...)

Jura Professional Cappuccino Frother [online] [retrieved Dec. 24, 2009]. Retrieved from the Internet: <URL: http://www.stylecafe.jura.com/show_image!subtype=178&rev=0&name=accessories20>. 1 page.

Jura's coffee machines: Impressa Accessories, Easy Cappuccino Frother [online] [retrieved Feb. 16, 2010]. Retrieved from the Internet: <URL: [http://www.stylecafe.jura.com/home_stylecafe_x/products_commercial_use2/products_profession...>. 1 page.](http://www.stylecafe.jura.com/home_stylecafe_x/products_commercial_use2/products_profession...)

Jura Easy Cappuccino Frother [online] [retrieved Dec. 24, 2009]. Retrieved from the Internet: <URL: http://www.stylecafe.jura.com/show_image!subtype=178&rev=0&name=accessories37>. 1 page.

Jura Electroapparate AG, Cappuccino Frothers, Instructions for Use [online] [retrieved Dec. 24, 2009]. Retrieved from the Internet: <URL: http://www.stylecafe.jura.com/home_stylecafe_x/service_support/download_manual_jura_cappu-duesen_english.pdf>. 3 pages.

* cited by examiner

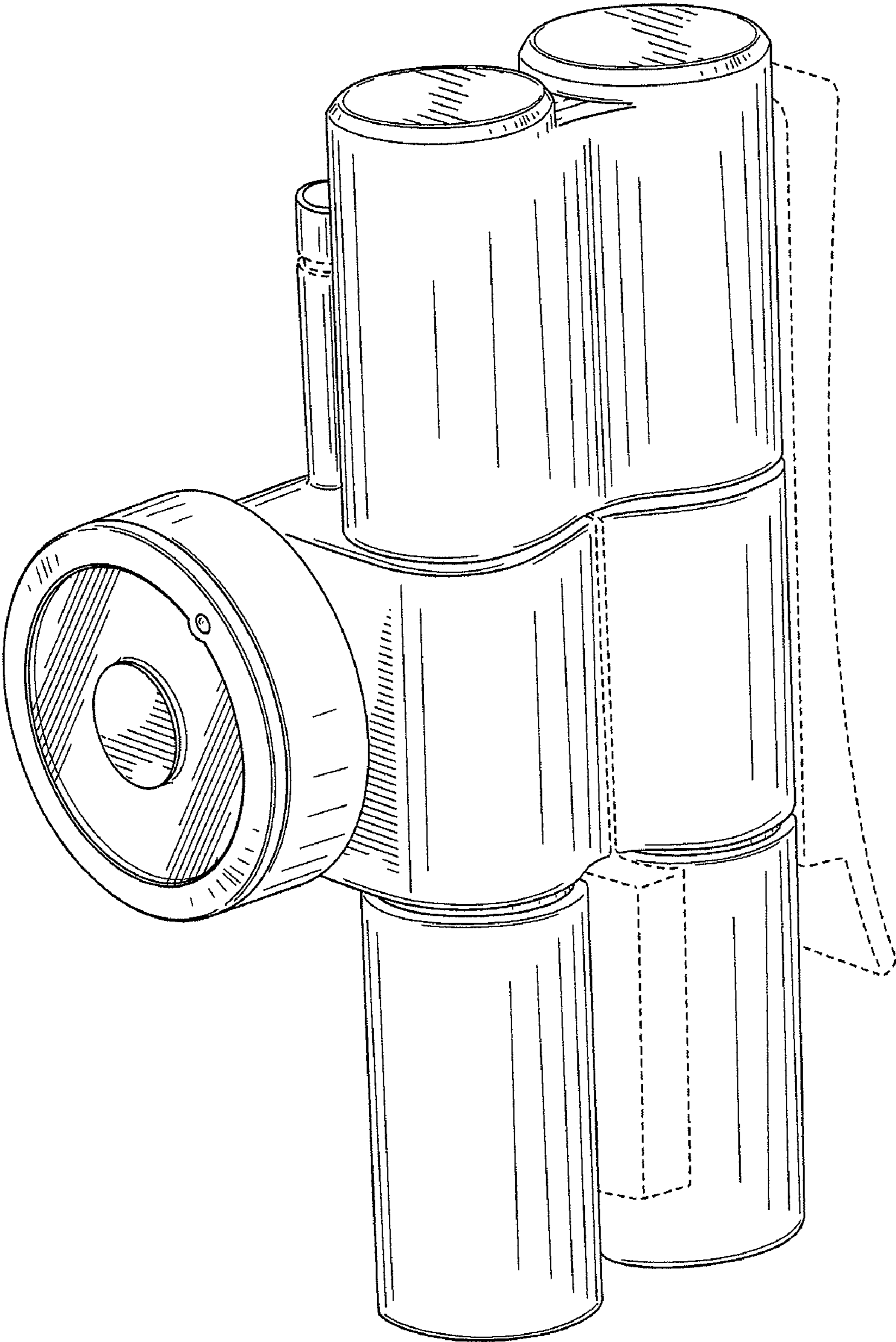


FIG. 1

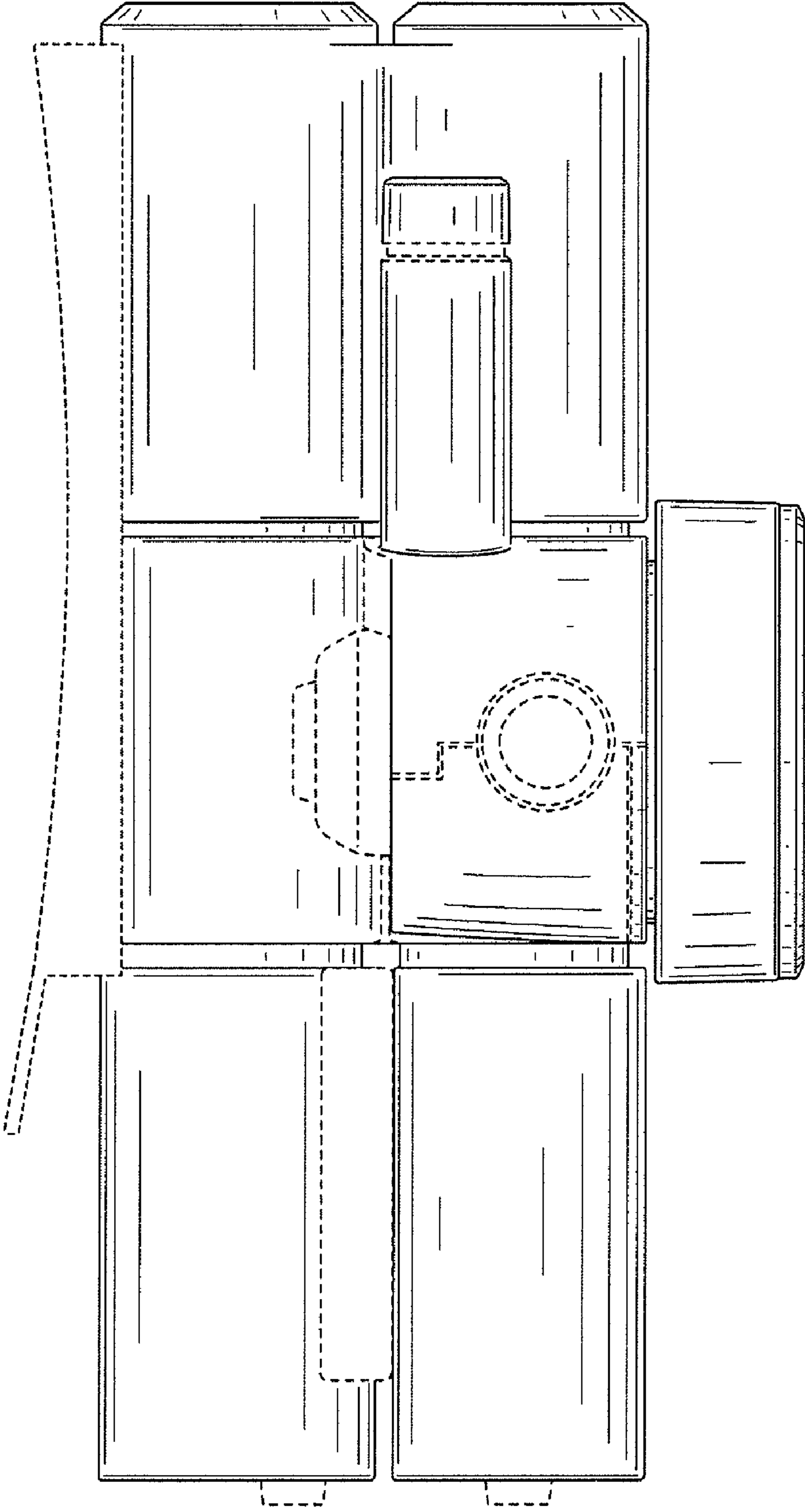


FIG. 2

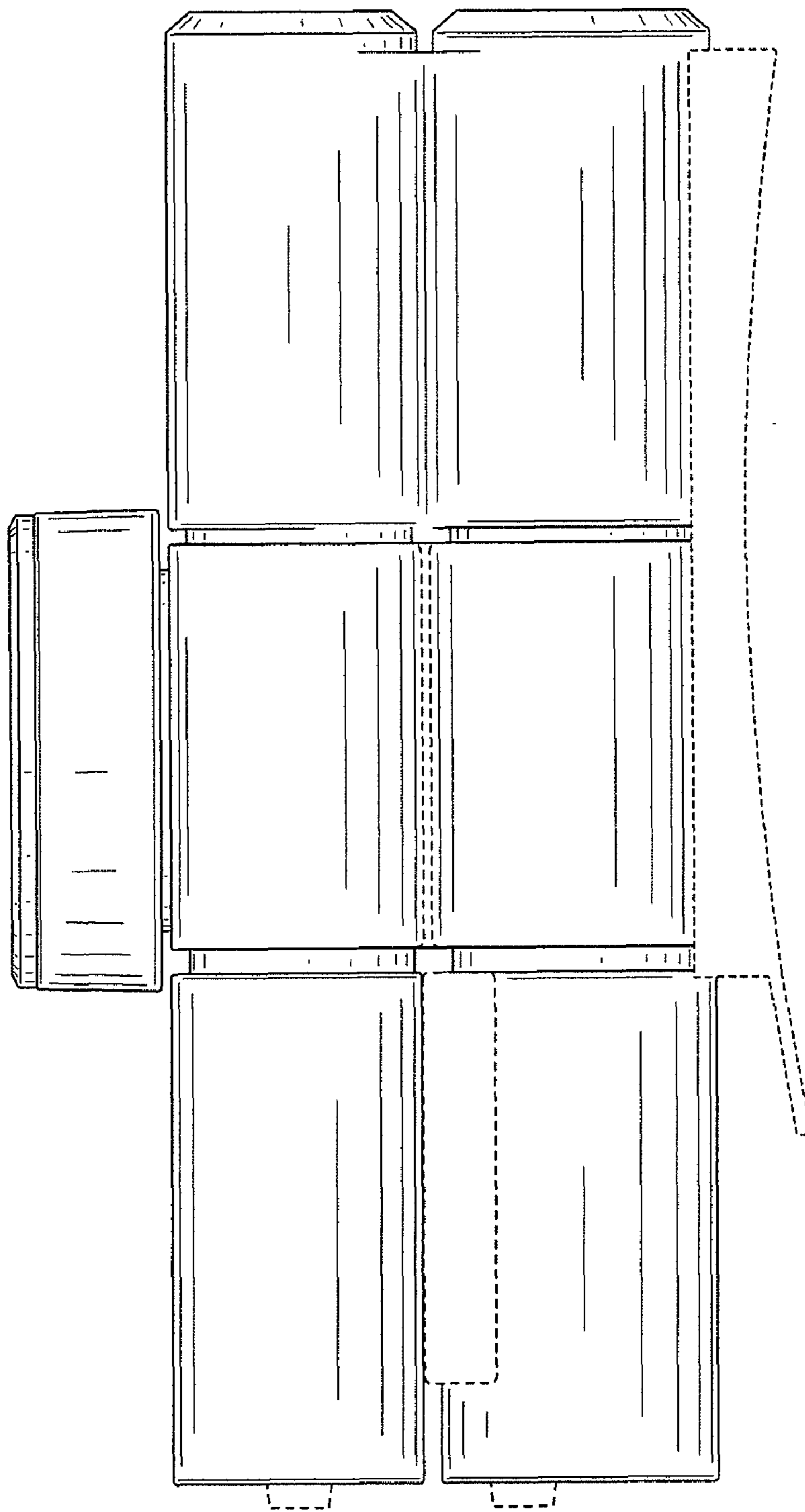


FIG. 3

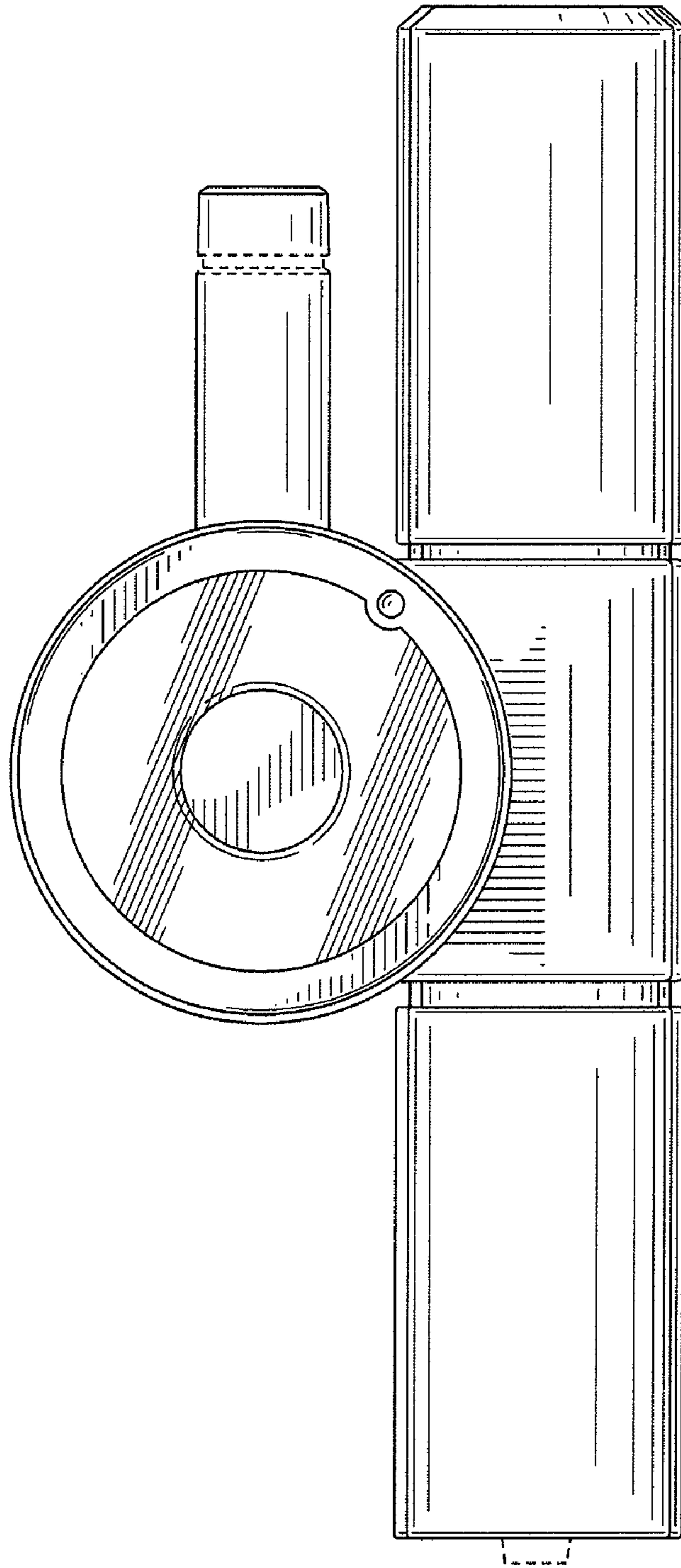


FIG. 4

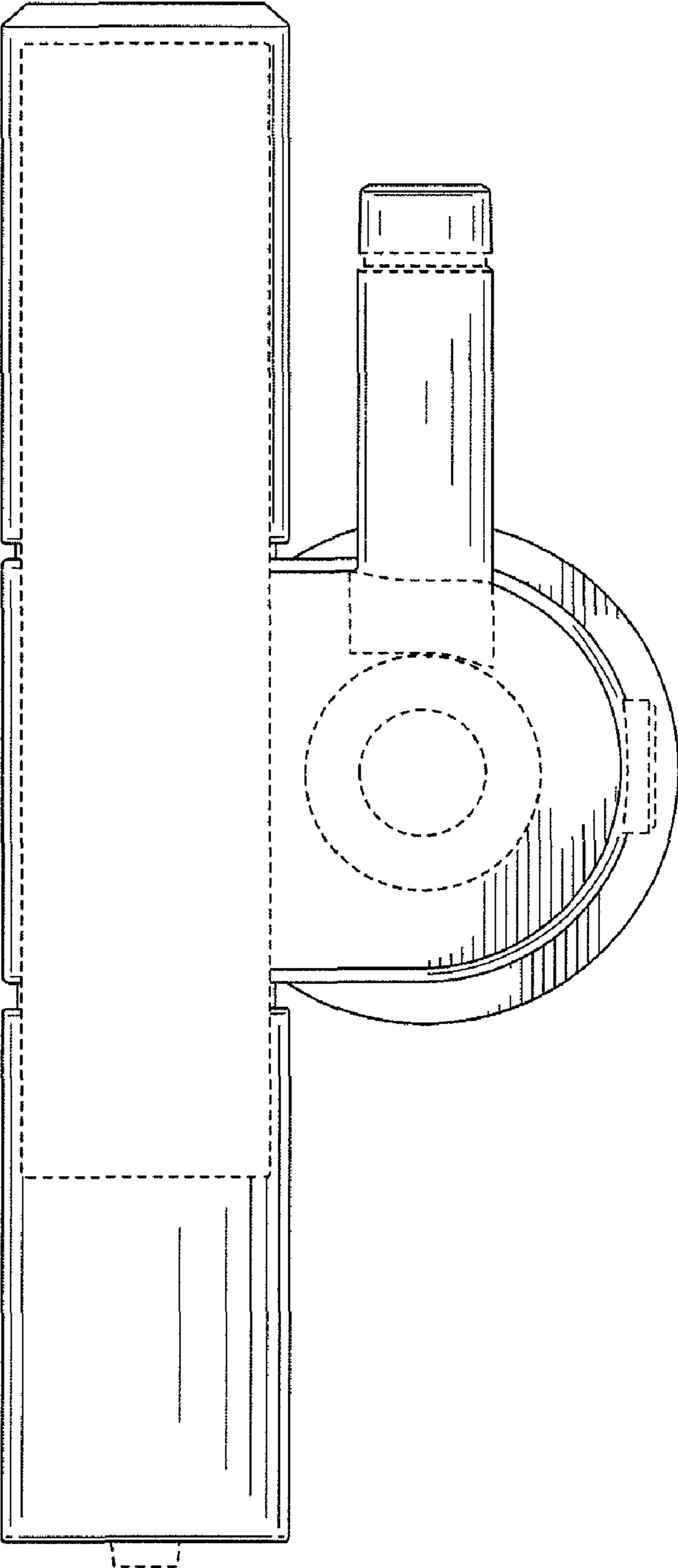


FIG. 5

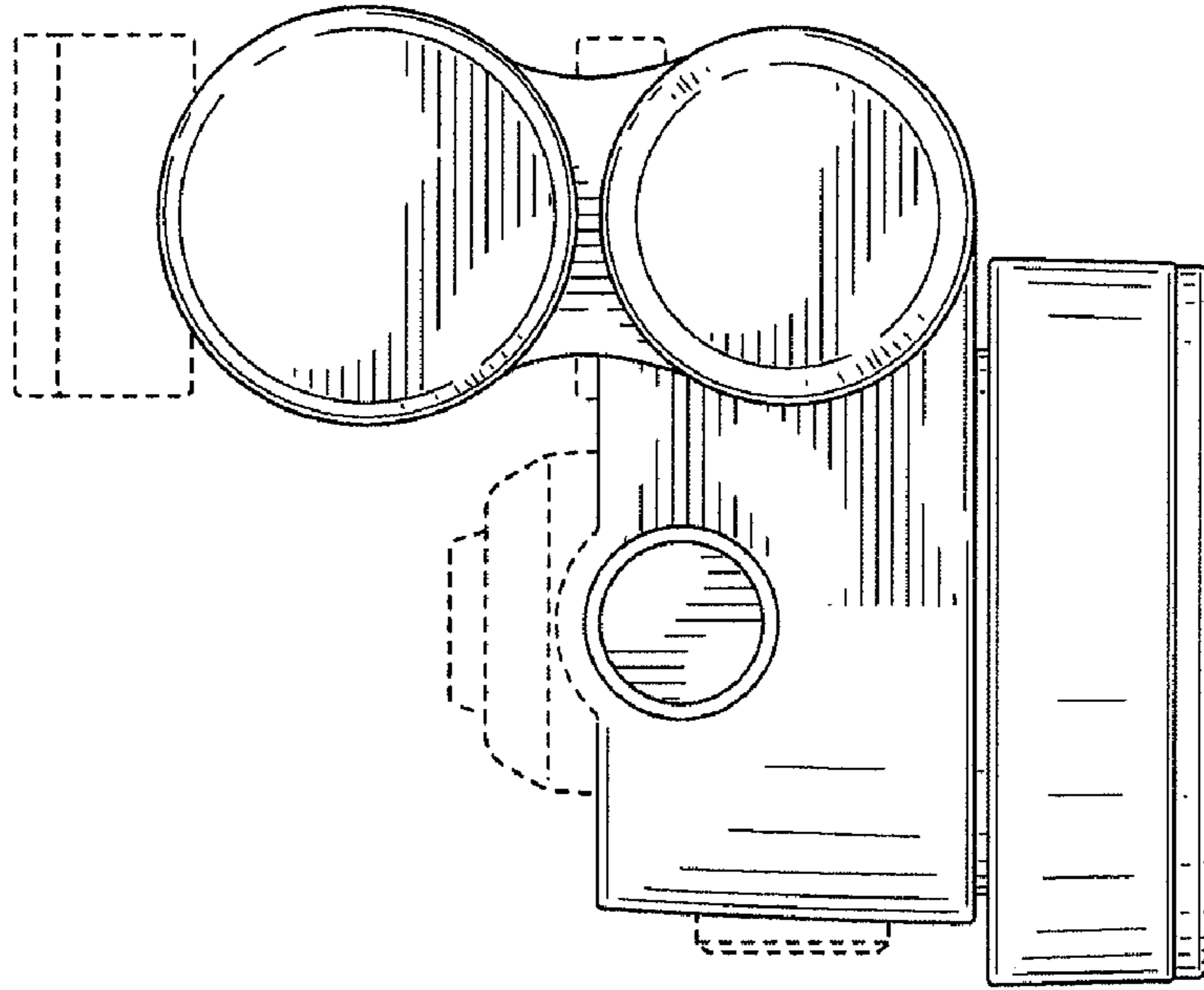


FIG. 6

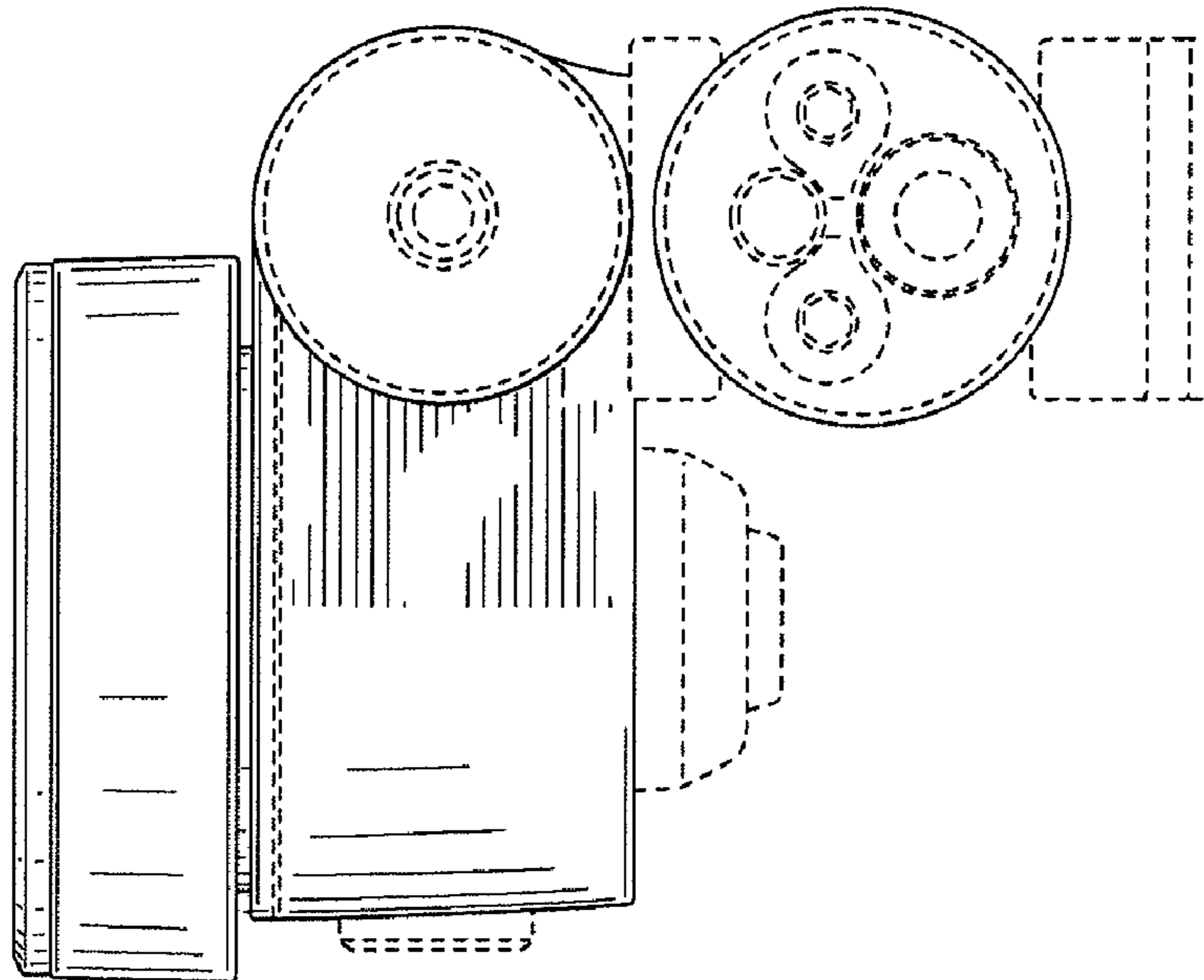


FIG. 7

UNITED STATES PATENT AND TRADEMARK OFFICE
CERTIFICATE OF CORRECTION

PATENT NO. : D632,924 S
APPLICATION NO. : 29/353375
DATED : February 22, 2011
INVENTOR(S) : Gebhardt et al.

Page 1 of 1

It is certified that error appears in the above-identified patent and that said Letters Patent is hereby corrected as shown below:

Title page.

Insert the following:

Item --(30) Foreign Application Priority Data

July 8, 2009 INTERNATIONAL BUREAU OF THE WORLD INTELLECTUAL PROPERTY
ORGANIZATION (WIPO) DM/072035--.

Signed and Sealed this
Fifth Day of July, 2011

A handwritten signature in black ink that reads "David J. Kappos". The signature is written in a cursive, slightly slanted style.

David J. Kappos
Director of the United States Patent and Trademark Office