



US00D632922S

(12) **United States Design Patent**  
**Grigor**

(10) **Patent No.:** **US D632,922 S**

(45) **Date of Patent:** **\*\* Feb. 22, 2011**

(54) **STAND MIXER**

(75) Inventor: **Andrew John Grigor**, Botany (AU)

(73) Assignee: **Sunbeam Corporation Limited**, Botany (AU)

(\*\*) Term: **14 Years**

(21) Appl. No.: **29/363,028**

(22) Filed: **Jun. 3, 2010**

(30) **Foreign Application Priority Data**

Dec. 4, 2009 (AU) ..... 14765/2009

(51) **LOC (9) Cl.** ..... **31-00**

(52) **U.S. Cl.** ..... **D7/379; D7/376; D7/384**

(58) **Field of Classification Search** ..... D7/305-311,  
D7/317-318, 372, 376-386, 412-415, 665;  
99/348, 509-511; 241/30-37.5, 101.01-101.2,  
241/166-169.1, 285.1-285.3, 291, 292.1;  
366/64-67, 98, 142, 197-211, 241-254,  
366/279-292, 341-347

See application file for complete search history.

(56) **References Cited**

**U.S. PATENT DOCUMENTS**

D291,271 S \* 8/1987 Wilson ..... D7/379  
D470,717 S \* 2/2003 Kaiser ..... D7/379  
D527,943 S \* 9/2006 Feil ..... D7/384

D529,759 S \* 10/2006 Feil ..... D7/384  
D530,146 S \* 10/2006 Ball et al. .... D7/379  
D533,017 S \* 12/2006 Wilson ..... D7/376  
D540,116 S \* 4/2007 Feil ..... D7/384  
D541,586 S \* 5/2007 Feil ..... D7/384  
D551,494 S \* 9/2007 Feil ..... D7/379  
D616,699 S \* 6/2010 Hoare et al. .... D7/379  
2005/0058018 A1 \* 3/2005 Hooper et al. .... 366/197

\* cited by examiner

*Primary Examiner*—Ricky Pham

(74) *Attorney, Agent, or Firm*—Schwegman, Lundberg & Woessner, P.A.

(57) **CLAIM**

The ornamental design for a stand mixer, as shown.

**DESCRIPTION**

FIG. 1 is a right side elevation view of a stand mixer, showing my new design;

FIG. 2 is a left side elevation view thereof;

FIG. 3 is a front elevation view thereof;

FIG. 4 is a rear elevation view thereof;

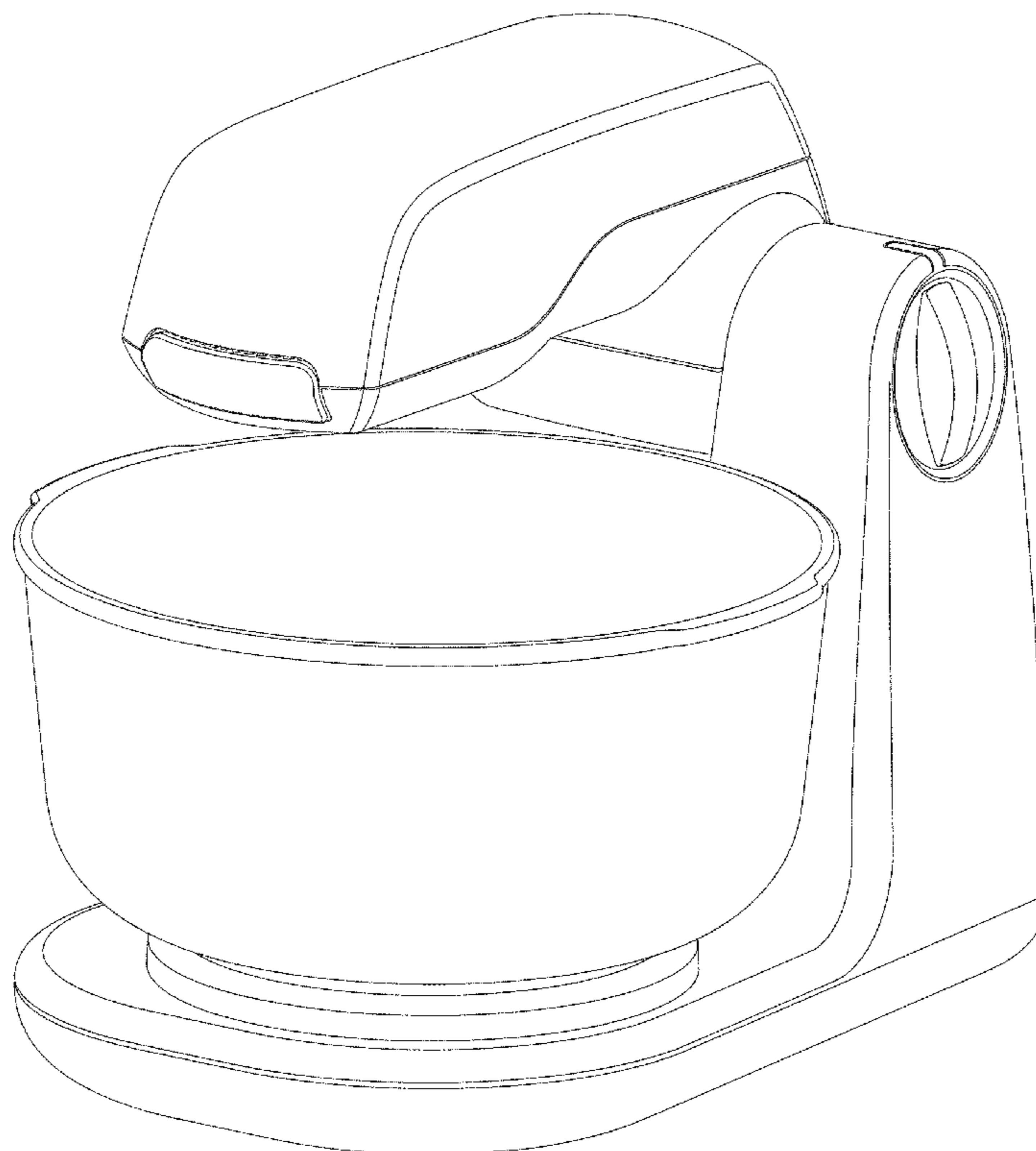
FIG. 5 is a top plan view thereof;

FIG. 6 is a bottom plan view thereof;

FIG. 7 is a top right front perspective view thereof; and,

FIG. 8 is a top left rear perspective view thereof.

**1 Claim, 8 Drawing Sheets**



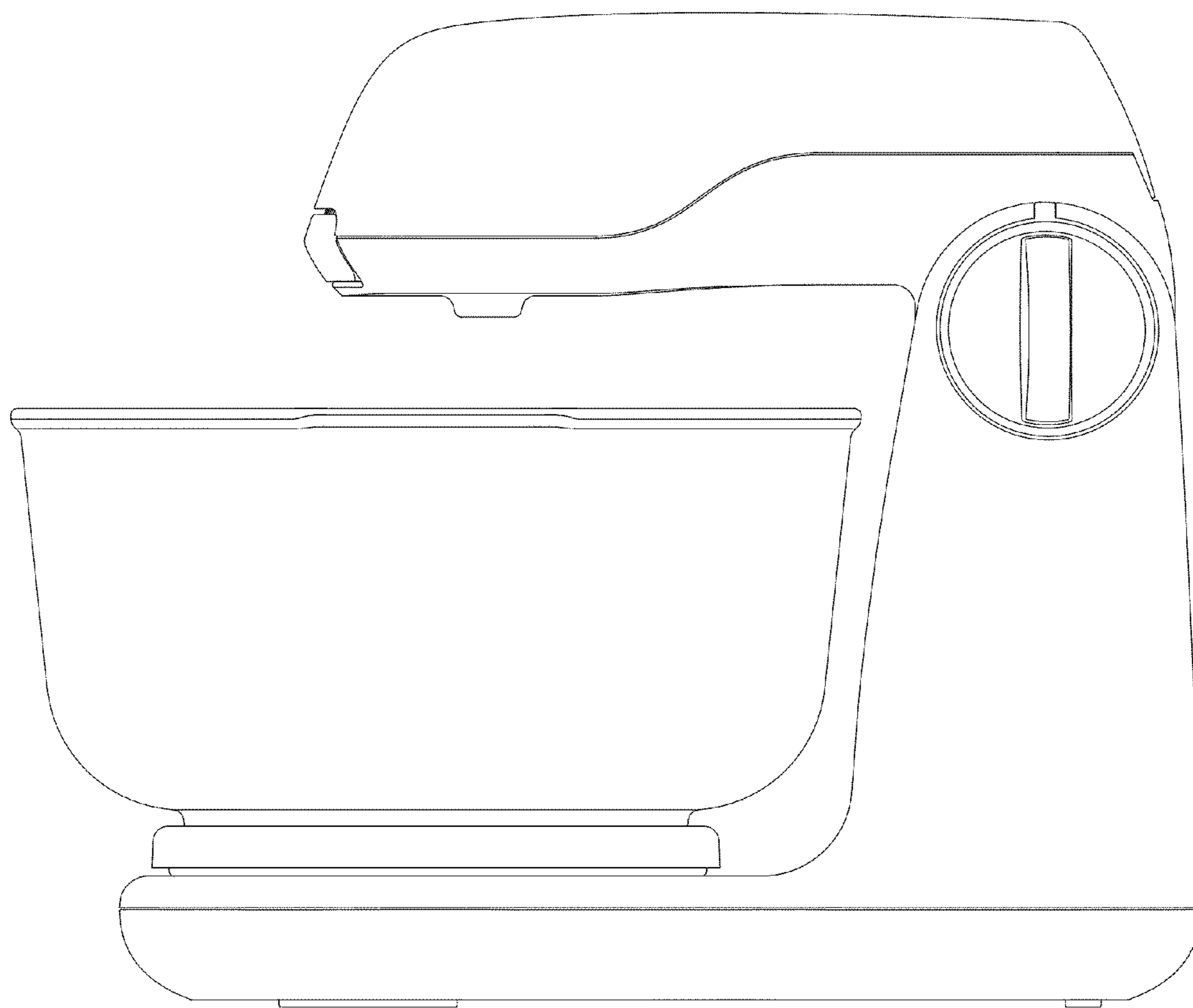


FIG. 1

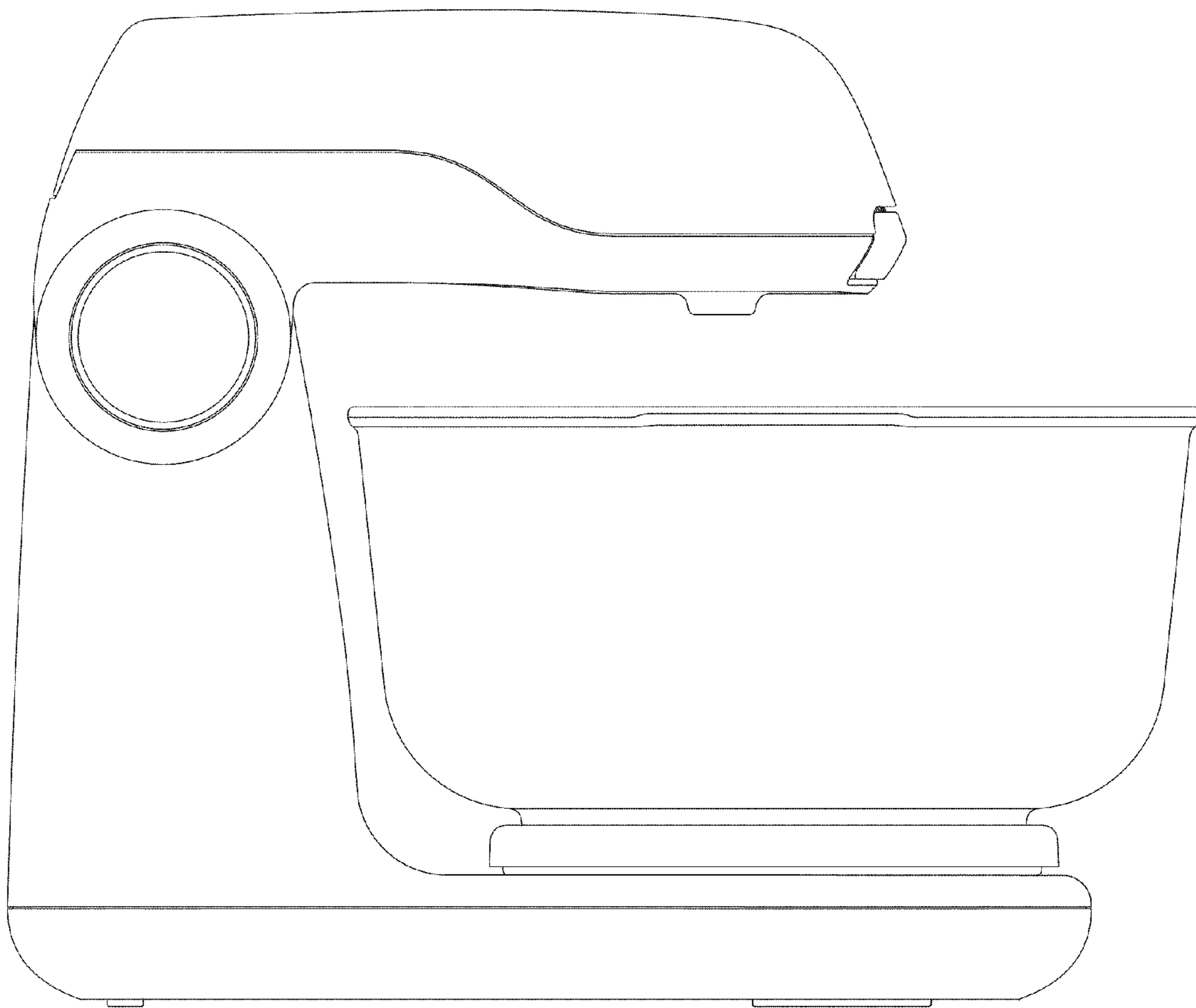


FIG. 2

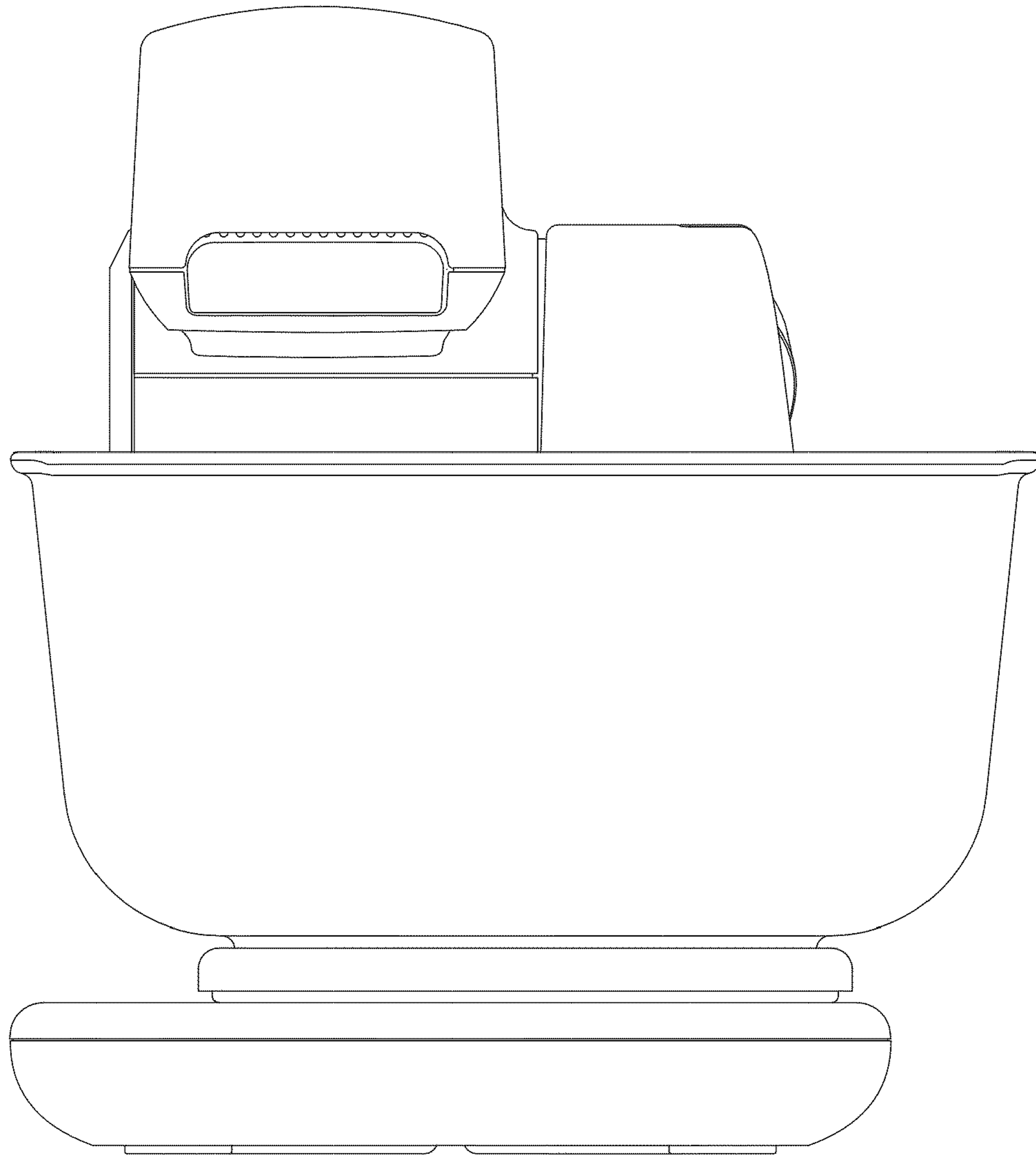


FIG. 3

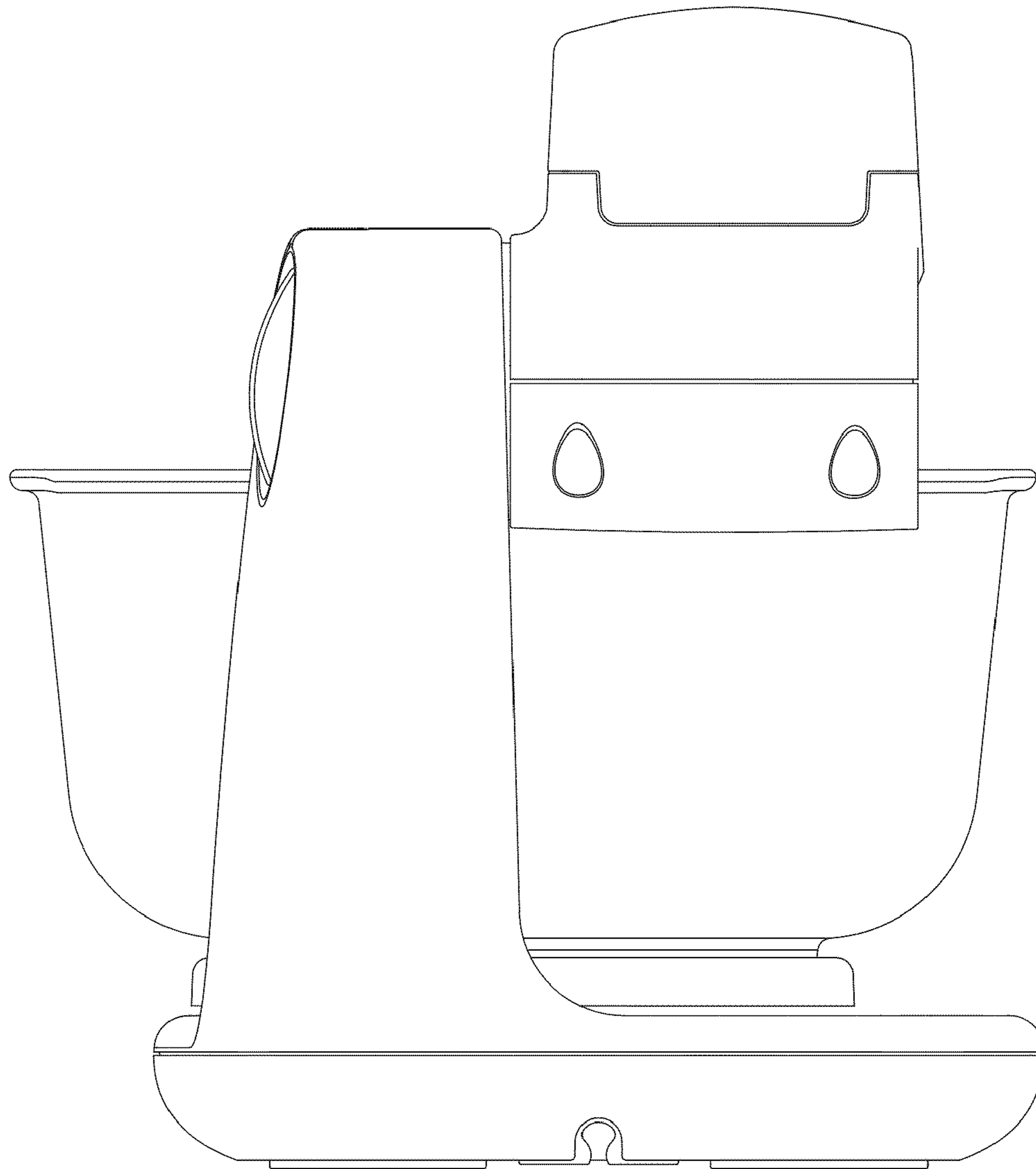


FIG. 4

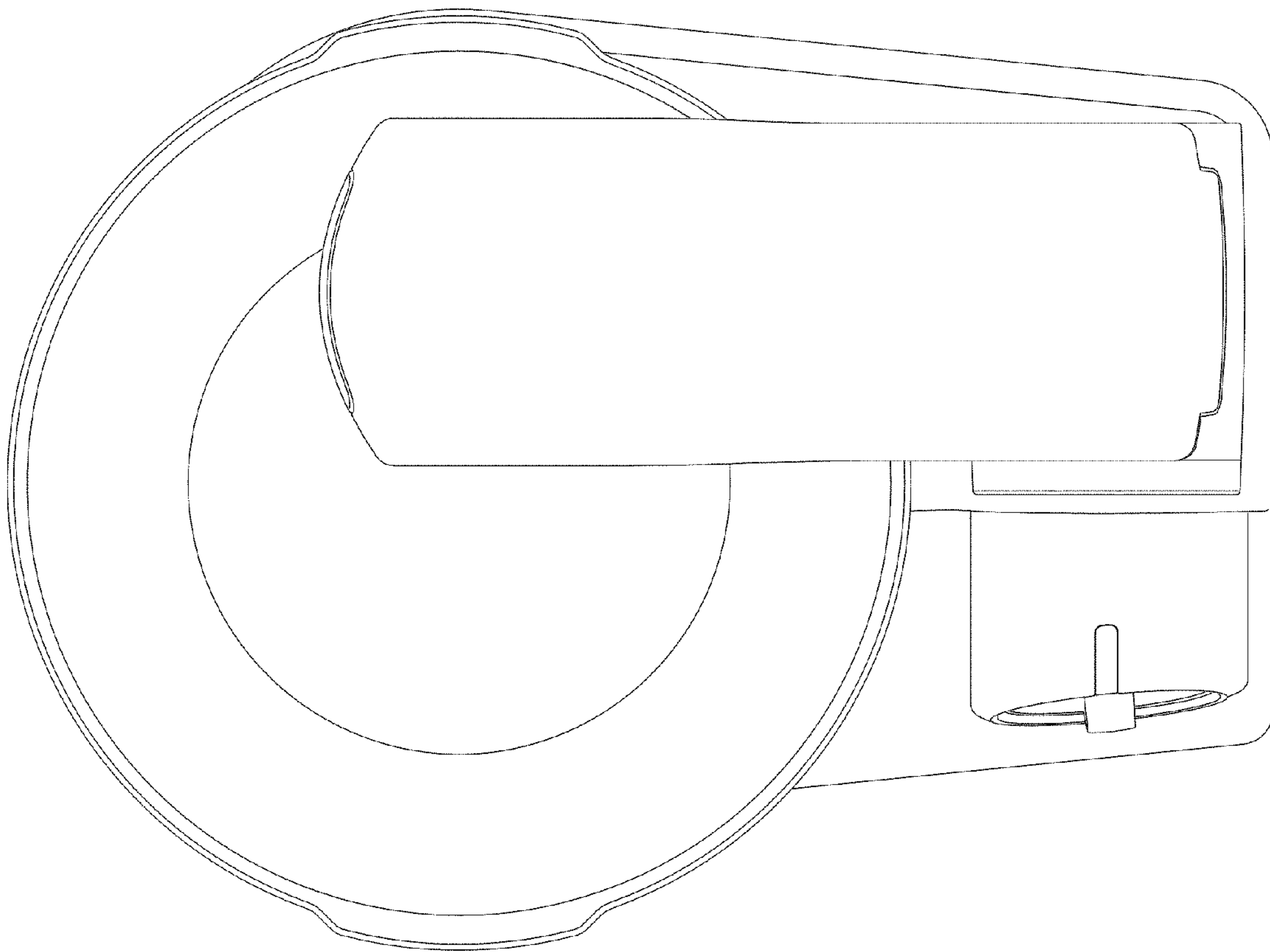


FIG. 5

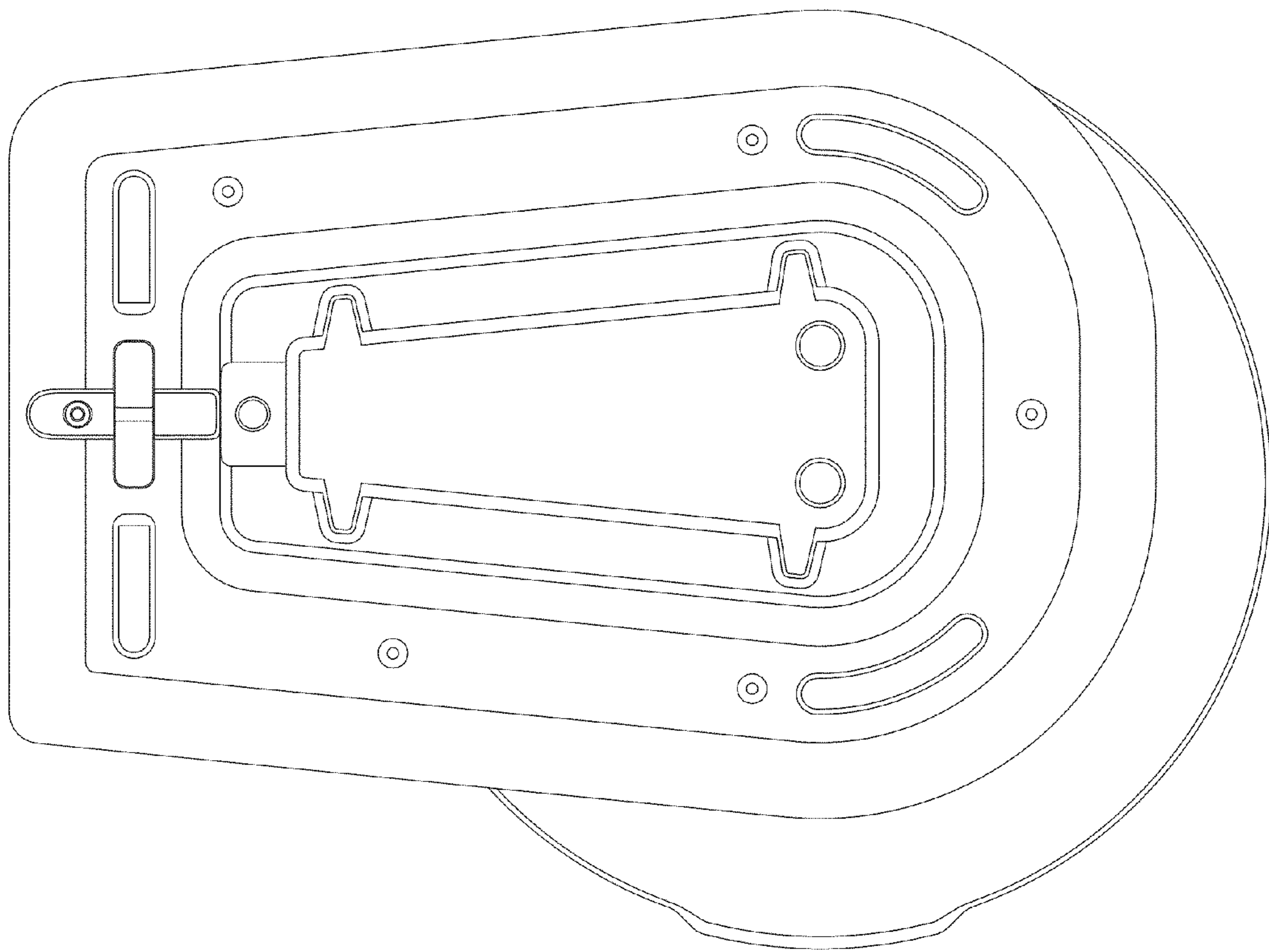


FIG. 6

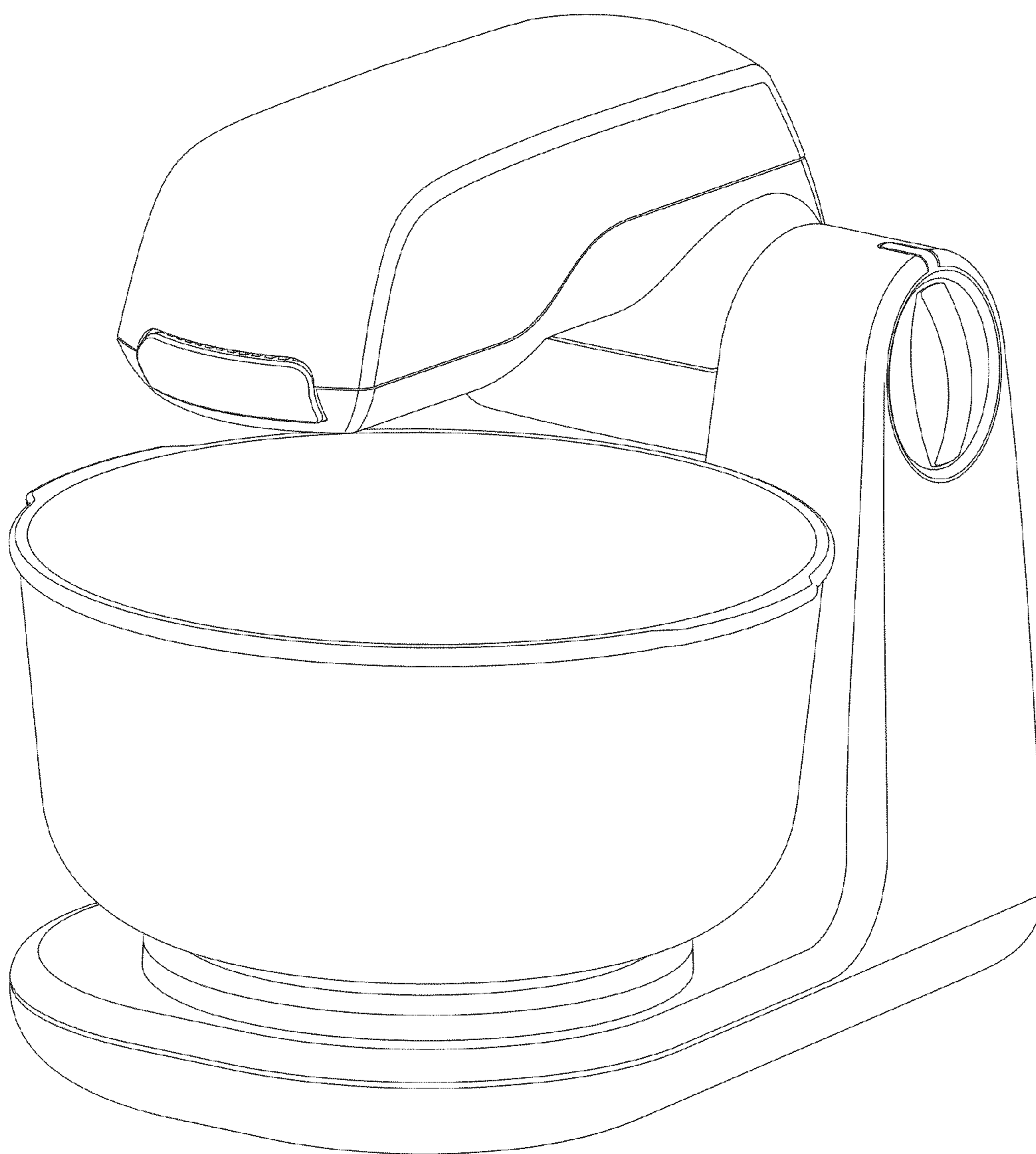


FIG. 7



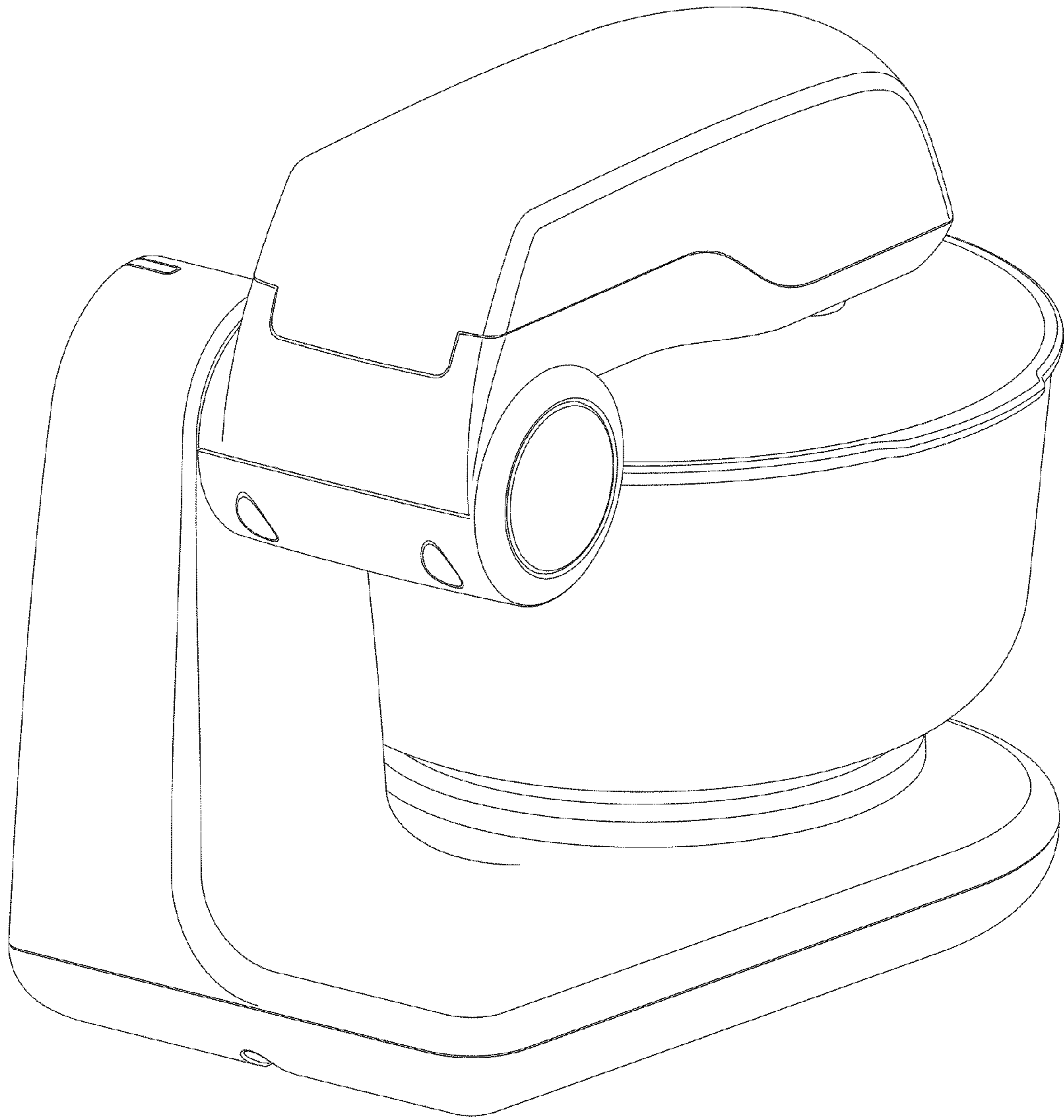


FIG. 8