



US00D632919S

(12) **United States Design Patent**
Sang-Ho

(10) **Patent No.:** **US D632,919 S**

(45) **Date of Patent:** **** Feb. 22, 2011**

(54) **COFFEE EXTRACTOR**

D570,148 S * 6/2008 Garman D7/306
D602,301 S * 10/2009 Romandy D7/306

(75) Inventor: **Kim Sang-Ho**, Incheon (KR)

* cited by examiner

(73) Assignee: **Lohas Electric Co., Ltd.**, Incheon (KR)

Primary Examiner—Marianne Pandozzi

(**) Term: **14 Years**

(74) *Attorney, Agent, or Firm*—Arent Fox LLP

(21) Appl. No.: **29/353,450**

(57) **CLAIM**

(22) Filed: **Jan. 8, 2010**

The ornamental design for a coffee extractor, as shown and described.

(51) **LOC (9) Cl.** **07-01**

(52) **U.S. Cl.** **D7/306; D7/313**

(58) **Field of Classification Search** D7/322,
D7/321, 320, 317, 312, 300, 313, 306–308;
222/129.1–129.4; 219/438; 99/302, 282

See application file for complete search history.

DESCRIPTION

(56) **References Cited**

U.S. PATENT DOCUMENTS

D184,507 S * 3/1959 Bowlby D7/313
D192,530 S * 4/1962 Painter D7/313
D199,408 S * 10/1964 Falske D7/313
D200,755 S * 4/1965 Sebastian D20/1
D489,932 S * 5/2004 Picozza et al. D7/313
D528,343 S * 9/2006 Ham D7/306
D539,354 S * 3/2007 Mak D7/306

FIG. 1 is a front view of a coffee extractor showing my new design;

FIG. 2 is a rear view of the design shown in FIG. 1;

FIG. 3 is bottom view of the design shown in FIG. 1;

FIG. 4 is a top view of the design shown in FIG. 1;

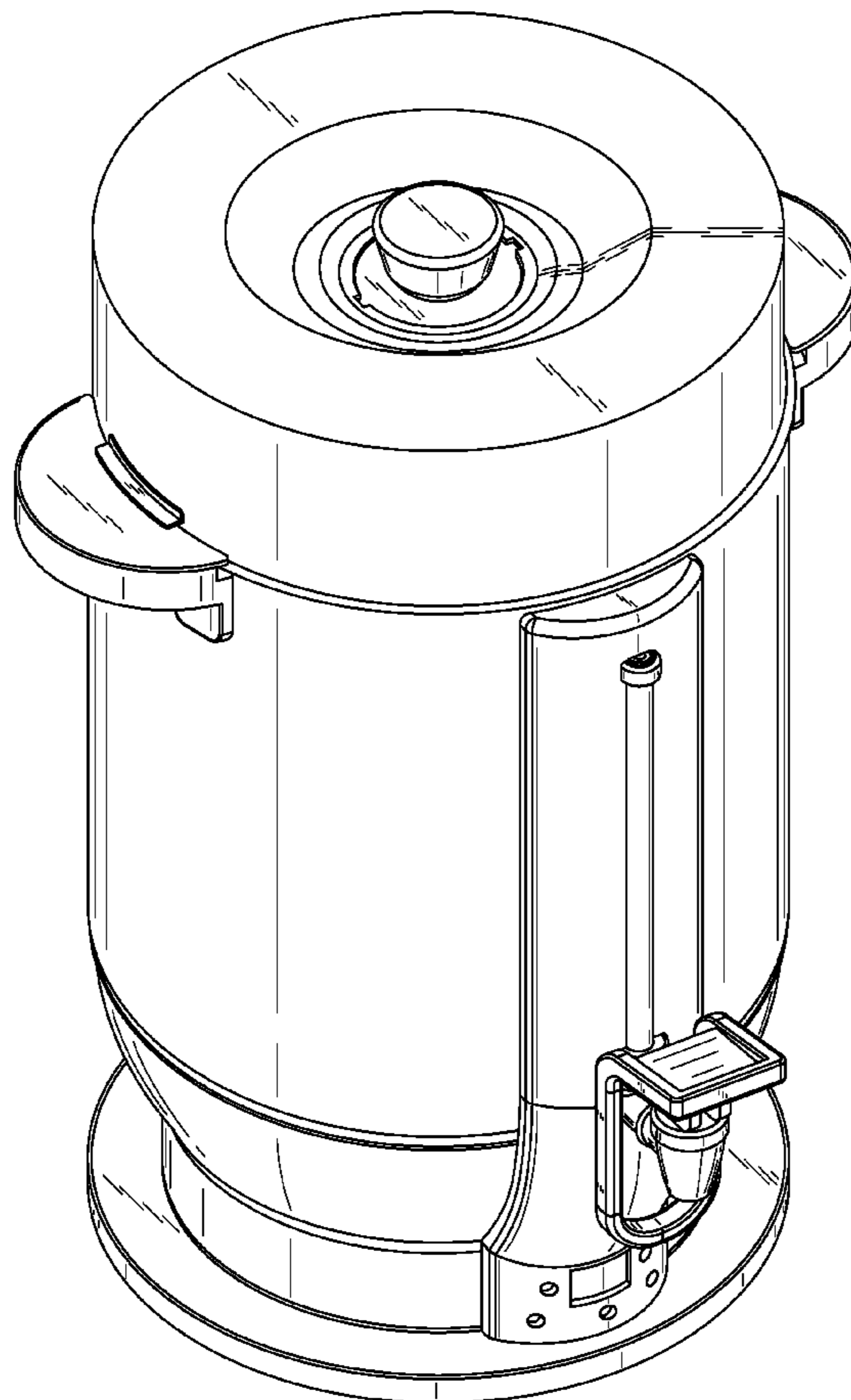
FIG. 5 is a right side view of the design shown in FIG. 1;

FIG. 6 is a left side view of the design shown in FIG. 1; and,

FIG. 7 is a perspective view of the design shown in FIG. 1.

The broken lines in the drawings are included for the purpose of illustration and form no part of the claimed design.

1 Claim, 7 Drawing Sheets



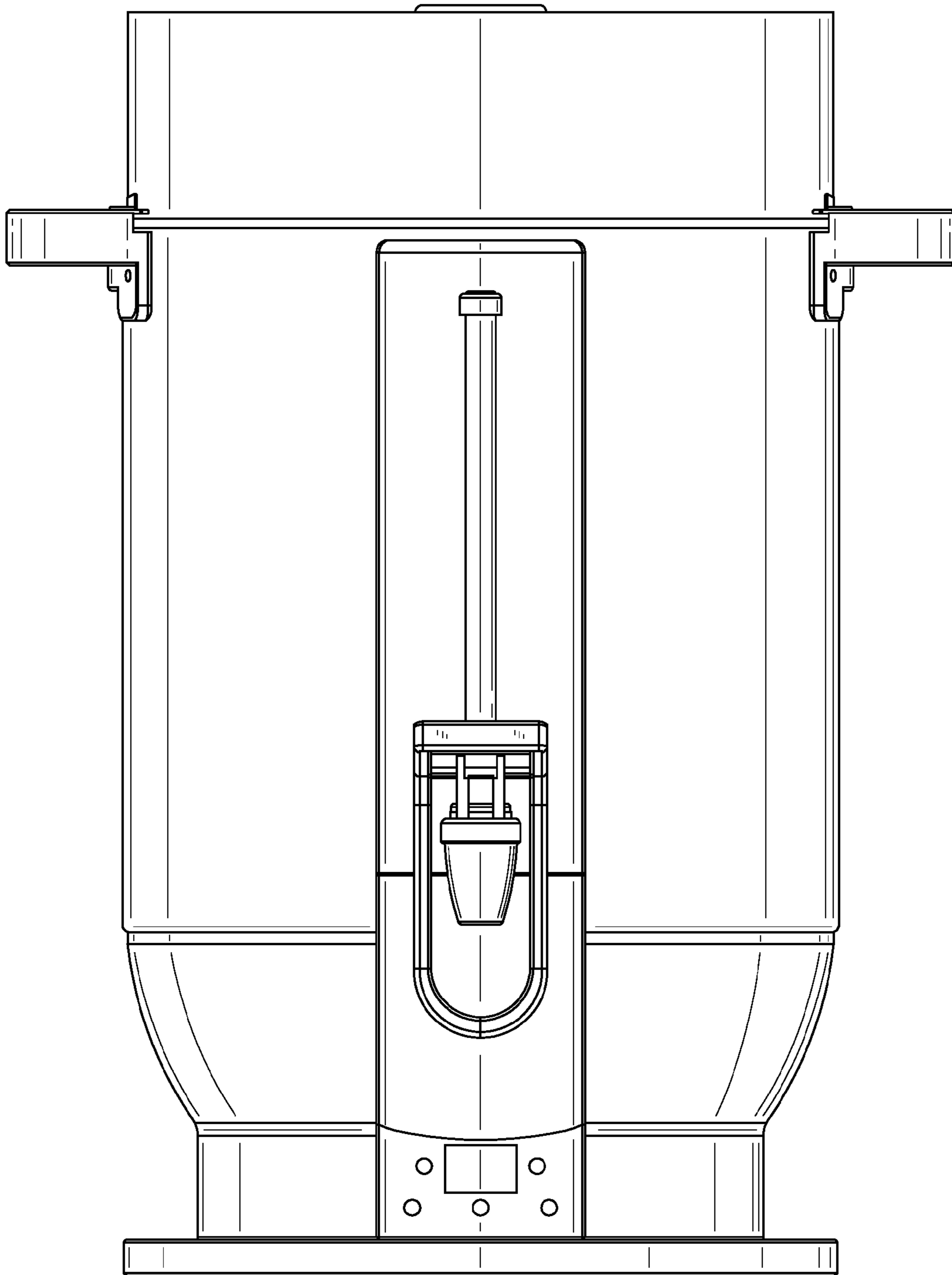


FIG. 1

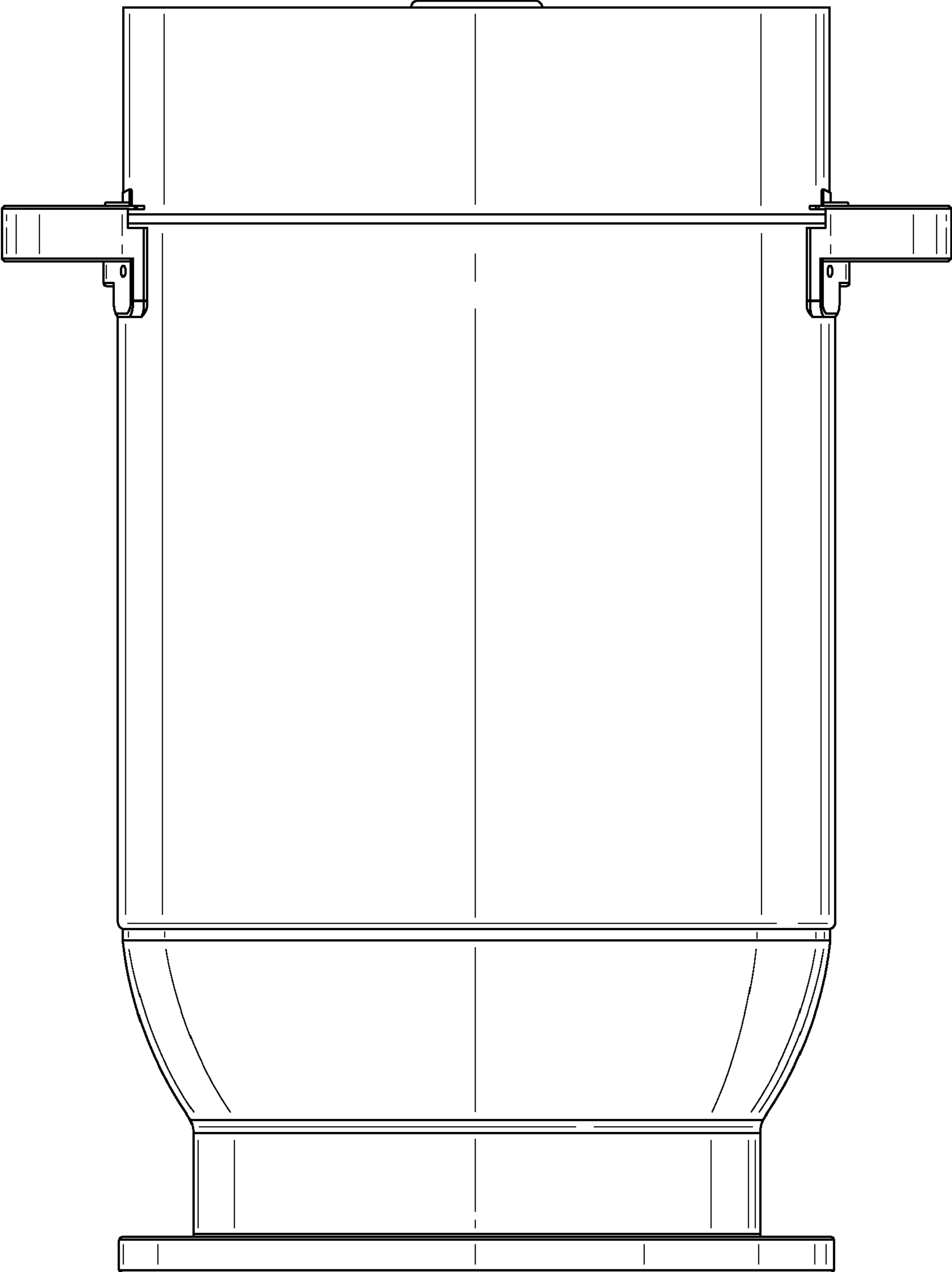


FIG. 2

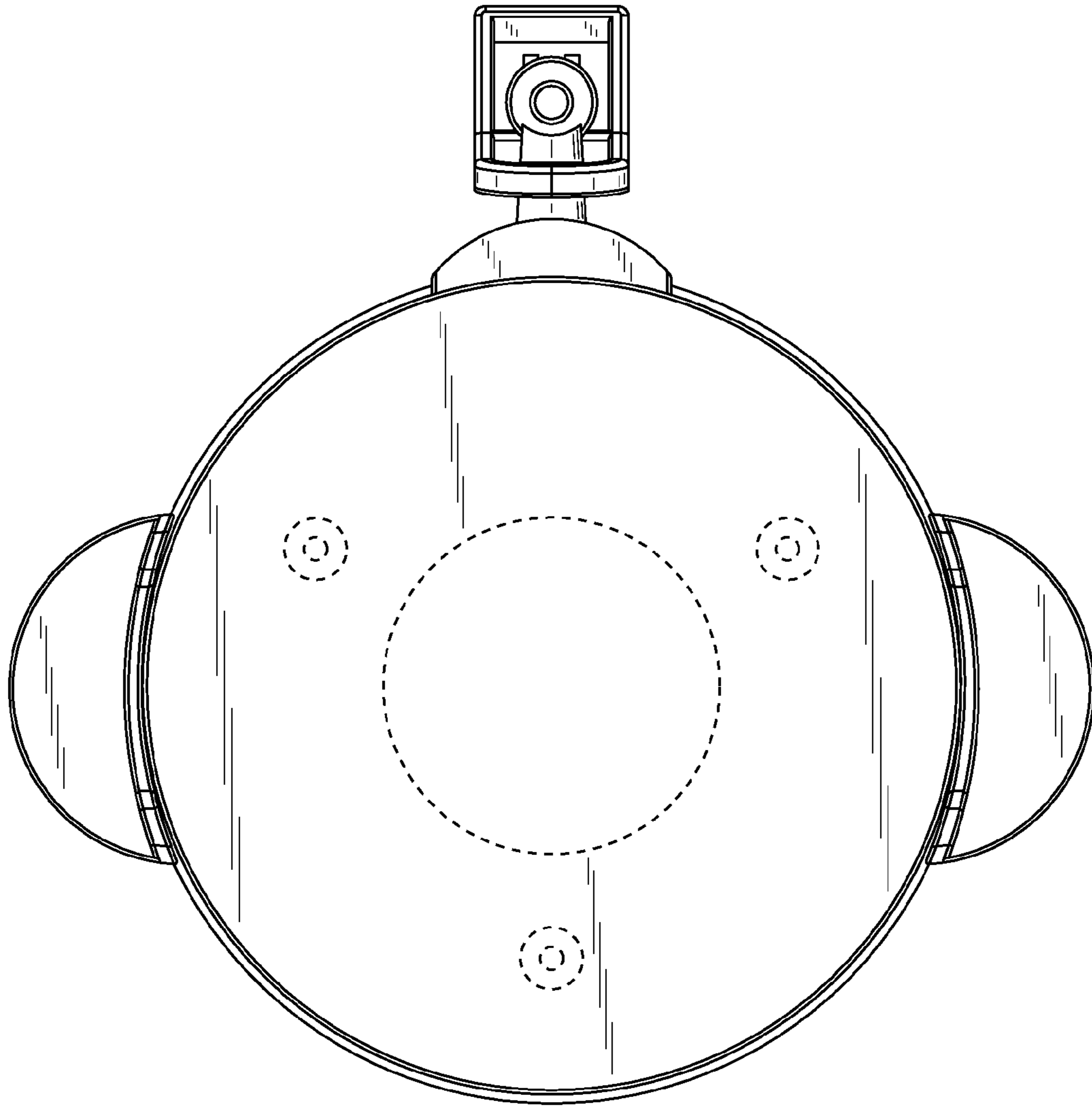


FIG. 3

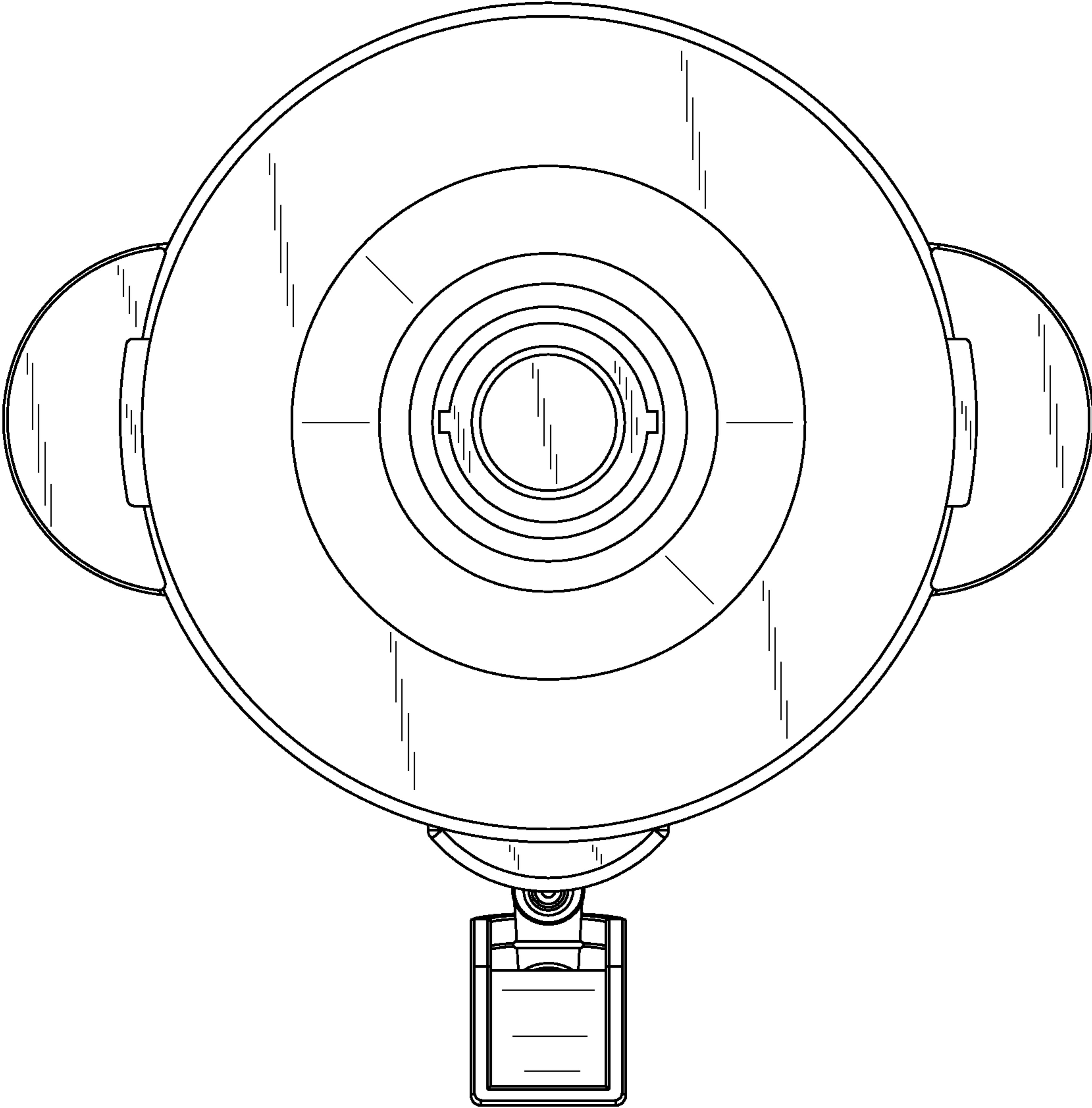


FIG. 4

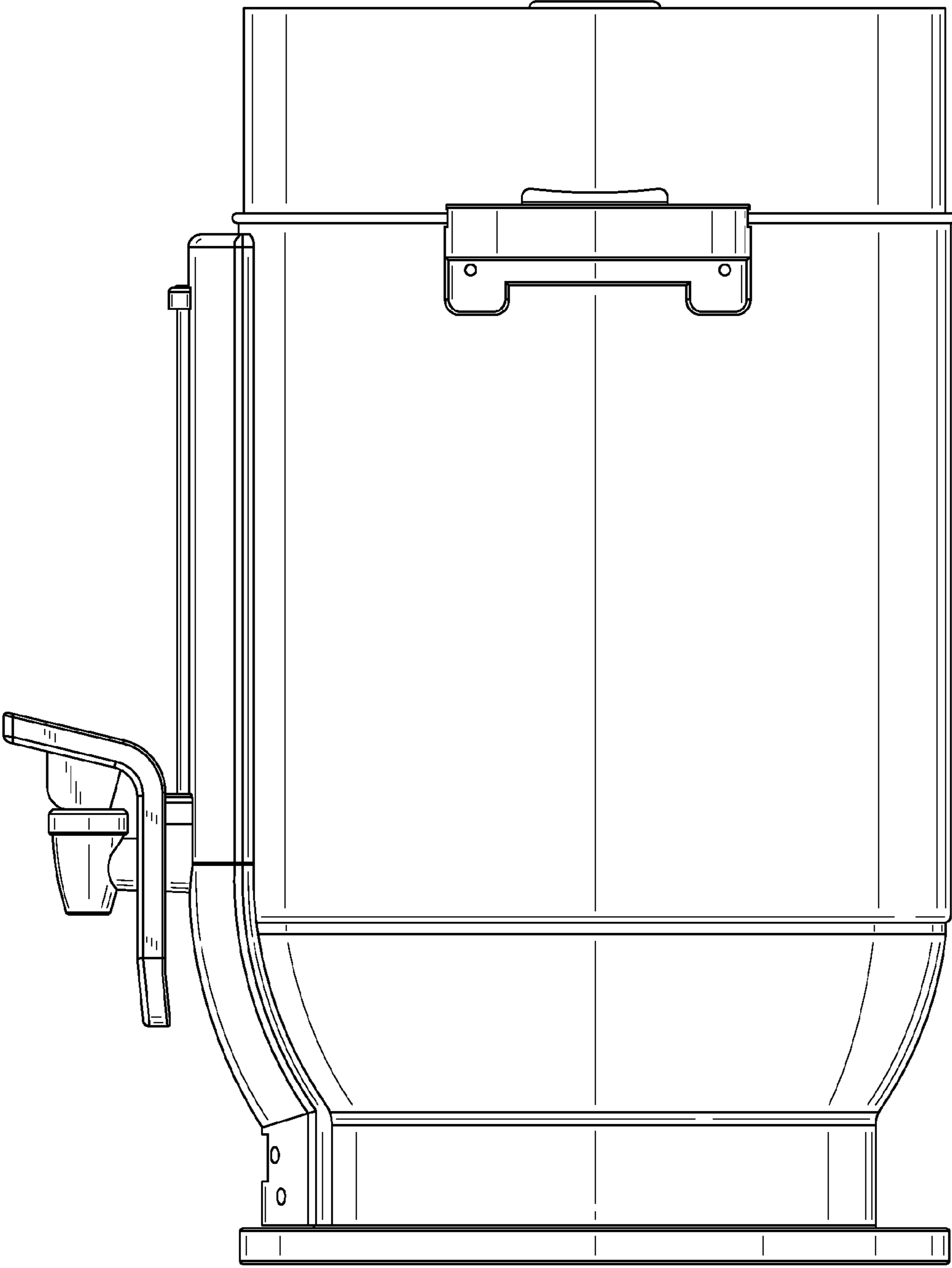


FIG. 5

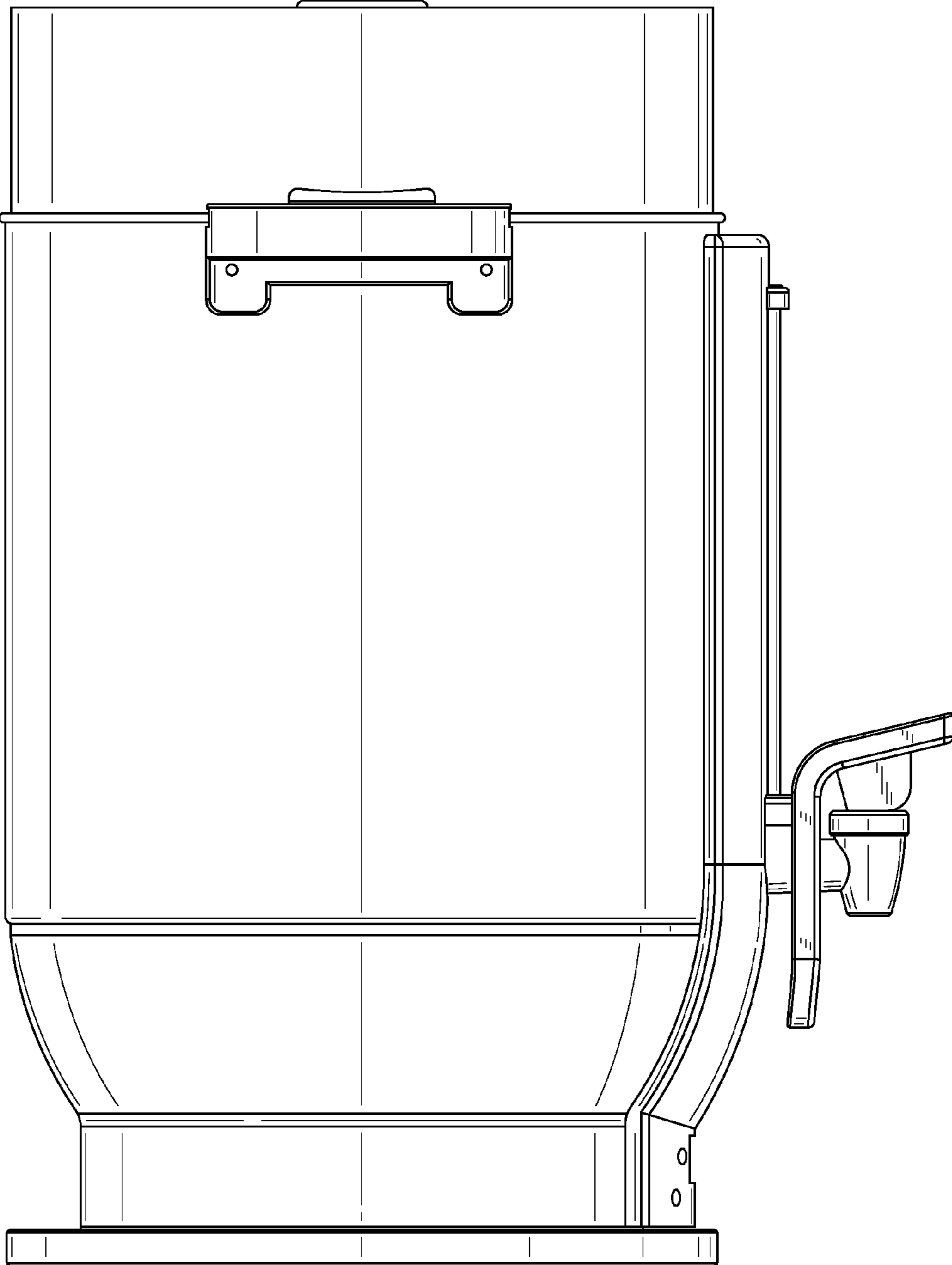


FIG. 6

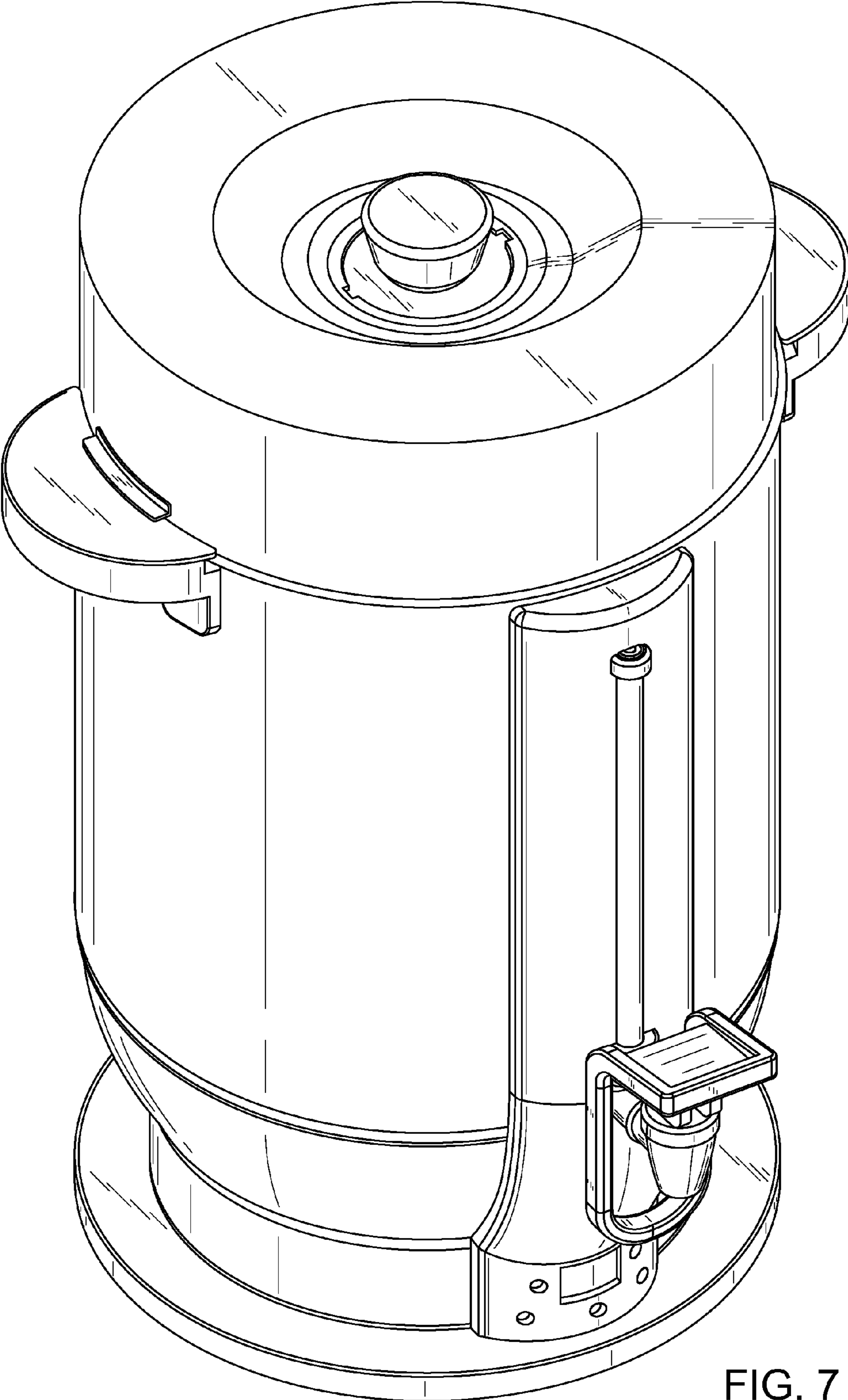


FIG. 7