



US00D632917S

(12) **United States Design Patent**
Galeazzi

(10) **Patent No.:** **US D632,917 S**
(45) **Date of Patent:** **** Feb. 22, 2011**

(54) **MILK FROTHING MACHINE**

(75) Inventor: **Giuliano Galeazzi**, Varese (IT)

(73) Assignee: **Koninklijke Philips Electronics N.V.**,
Eindhoven (NL)

(**) Term: **14 Years**

(21) Appl. No.: **29/359,169**

(22) Filed: **Apr. 7, 2010**

(30) **Foreign Application Priority Data**

Oct. 7, 2009 (EM) 001620600-0003

(51) **LOC (9) Cl.** **07-01**

(52) **U.S. Cl.** **D7/300; D7/379**

(58) **Field of Classification Search** D7/300,
D7/379; 99/286, 293

See application file for complete search history.

(56) **References Cited**

U.S. PATENT DOCUMENTS

D343,545 S * 1/1994 Billet D7/306
5,570,955 A * 11/1996 Swartwout et al. 366/264

D386,350 S * 11/1997 Mogadam D7/312
D499,926 S * 12/2004 Cahen D7/300
D544,286 S * 6/2007 Cahen D7/306
D571,597 S * 6/2008 Glucksman et al. D7/306
7,475,628 B2 * 1/2009 Lussi 99/286

* cited by examiner

Primary Examiner—Marianne Pandozzi

(57) **CLAIM**

The ornamental design for a milk frothing machine, as shown.

DESCRIPTION

FIG. 1 is a top perspective view of a milk frothing machine showing my new design;

FIG. 2 is a front elevational view thereof;

FIG. 3 is a rear elevational view thereof;

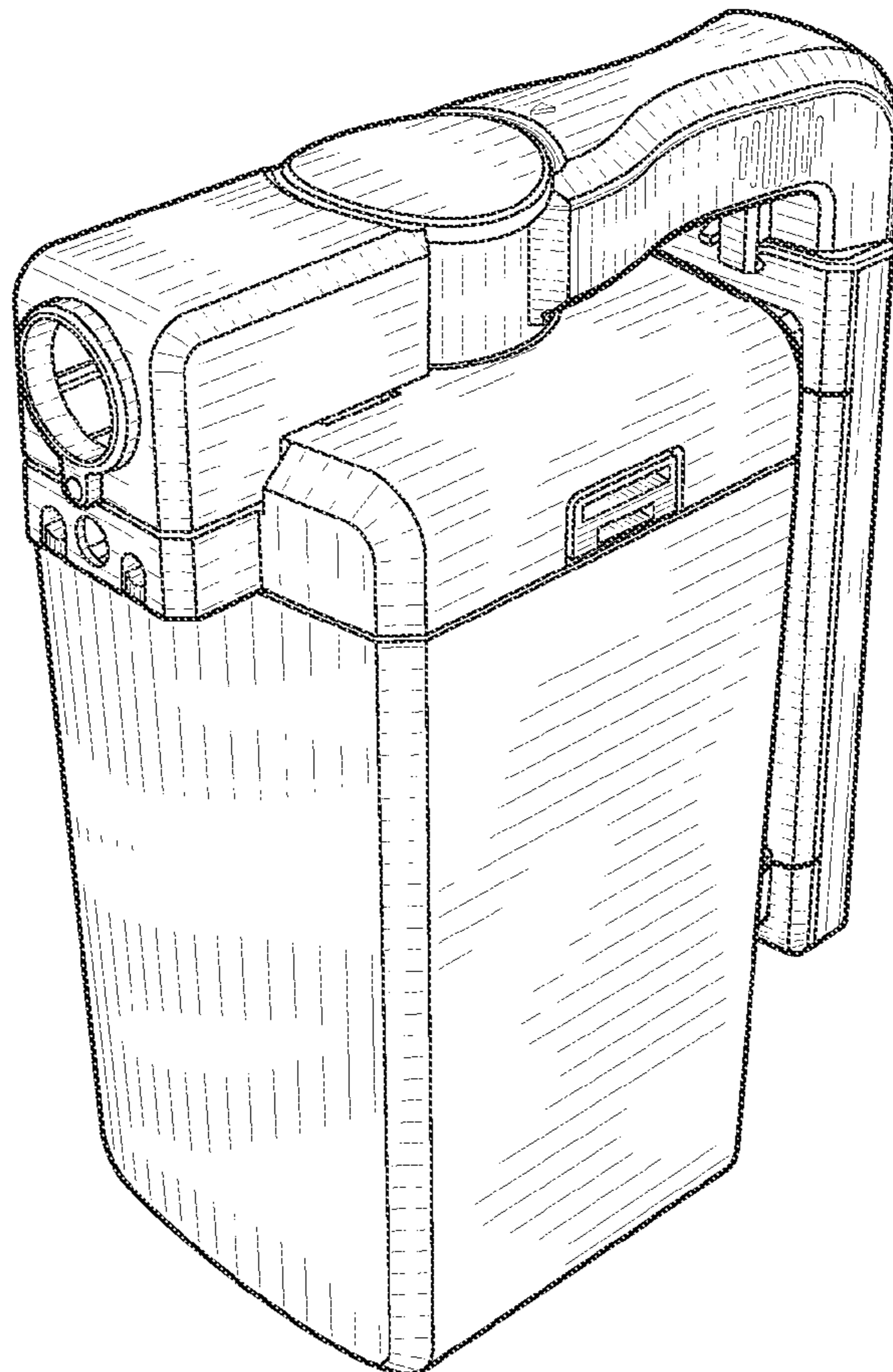
FIG. 4 is a right side elevational view thereof;

FIG. 5 is a left side elevational view thereof;

FIG. 6 is a top plan view thereof; and,

FIG. 7 is a bottom plan view thereof.

1 Claim, 4 Drawing Sheets



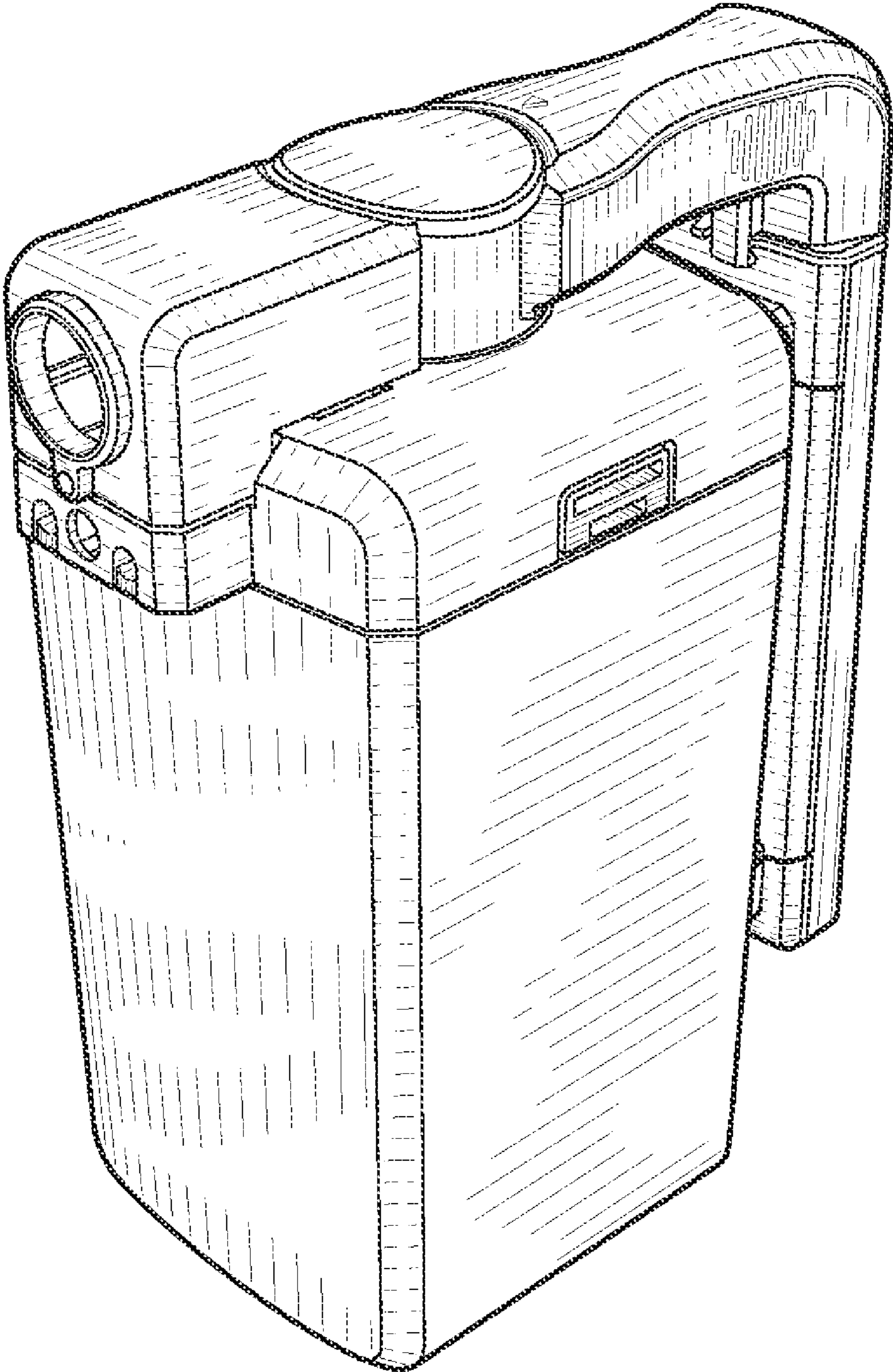


FIG. 1

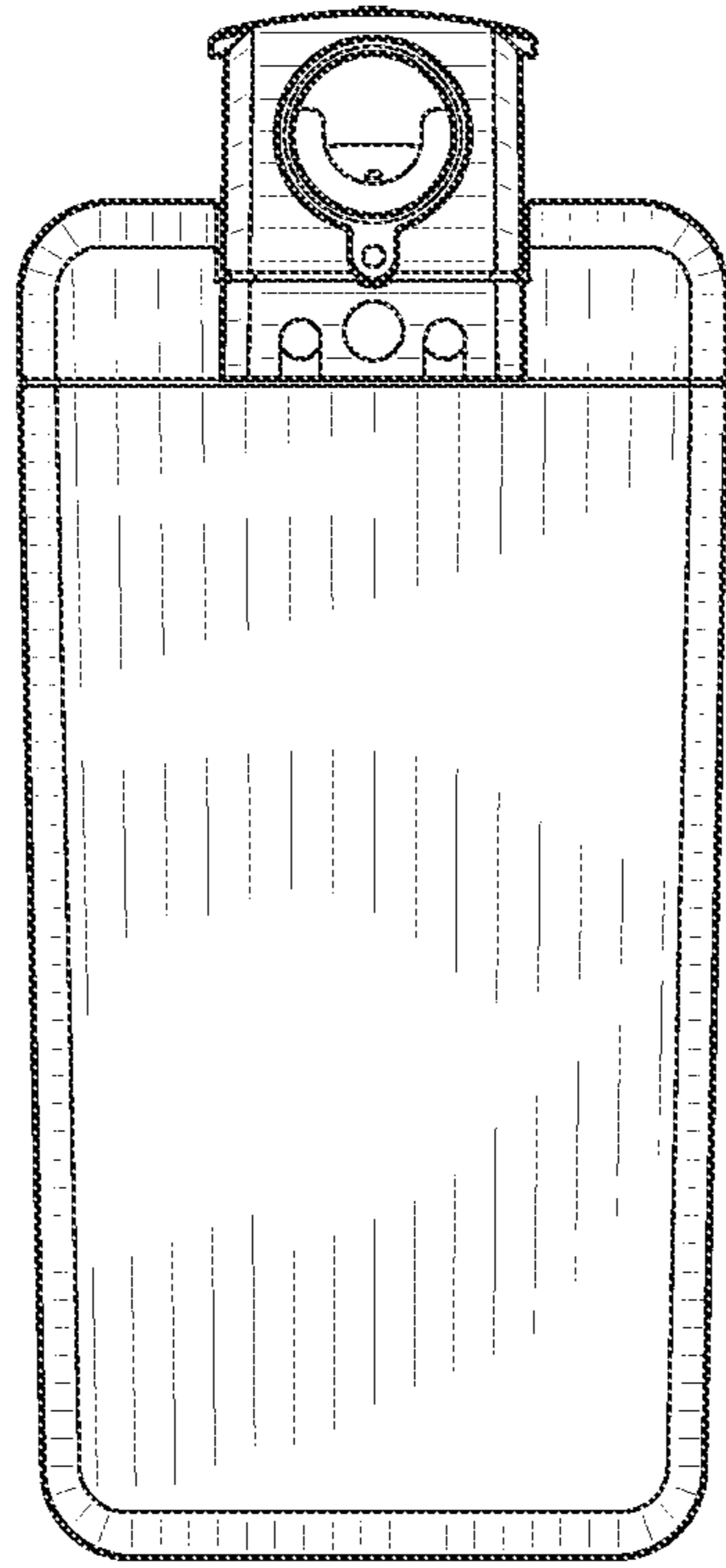


FIG. 2

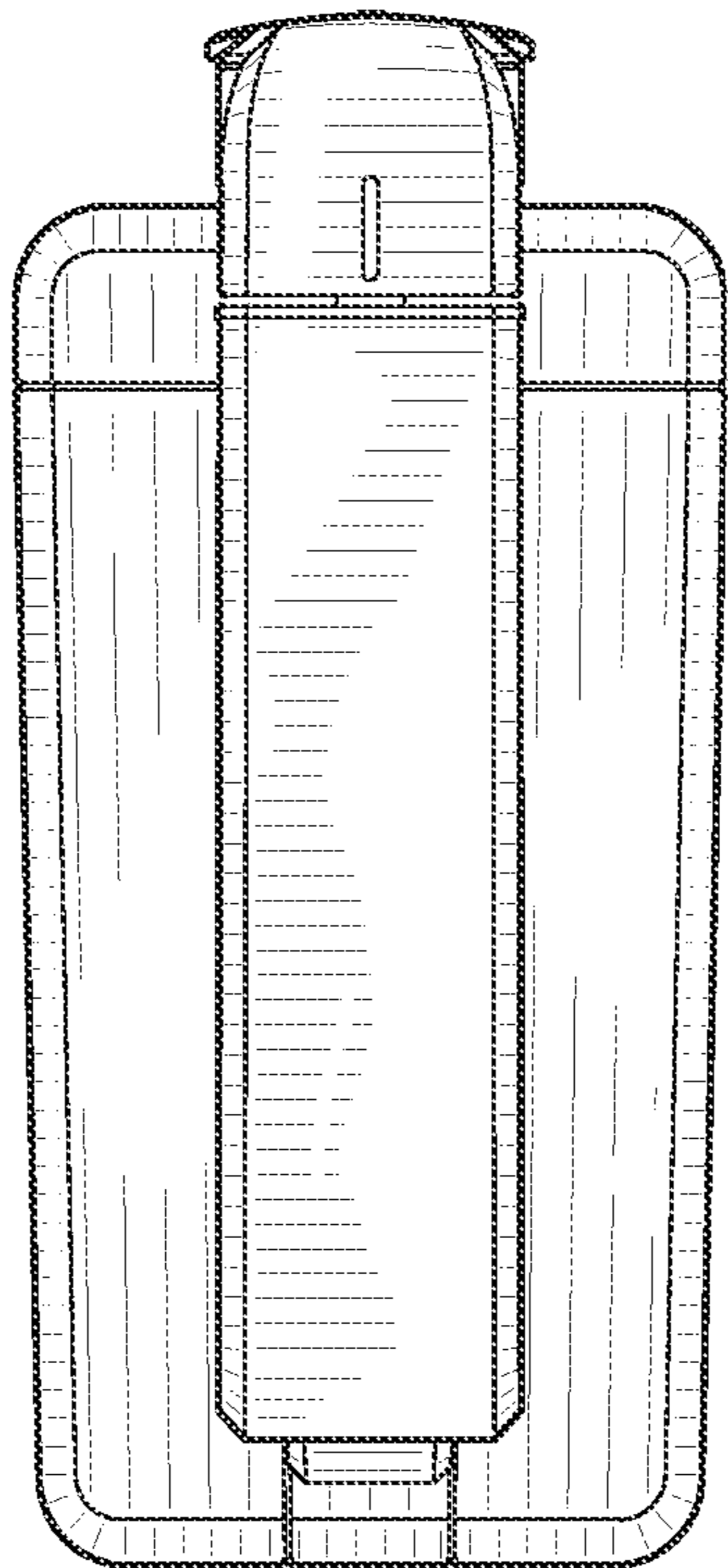


FIG. 3

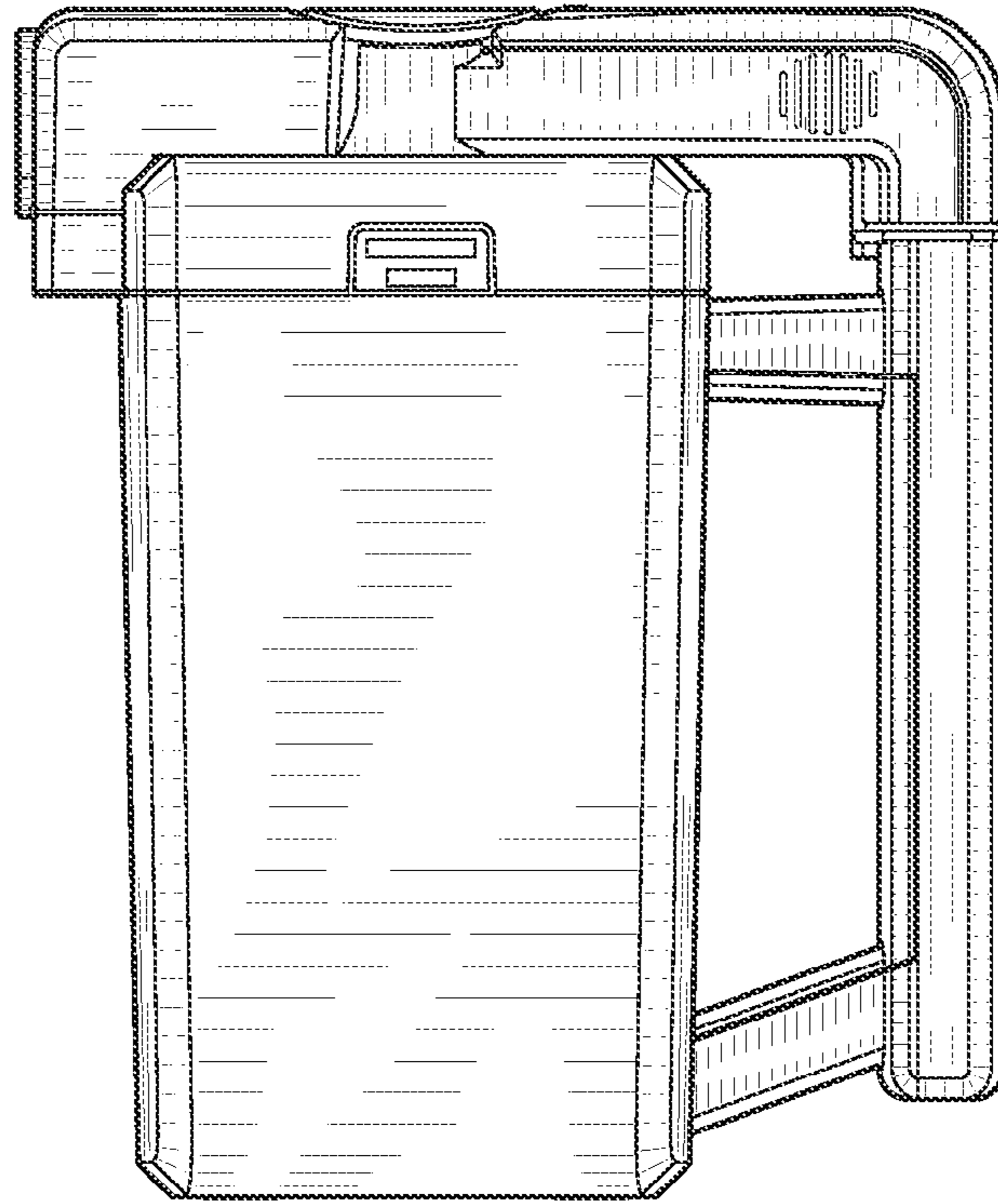


FIG. 4

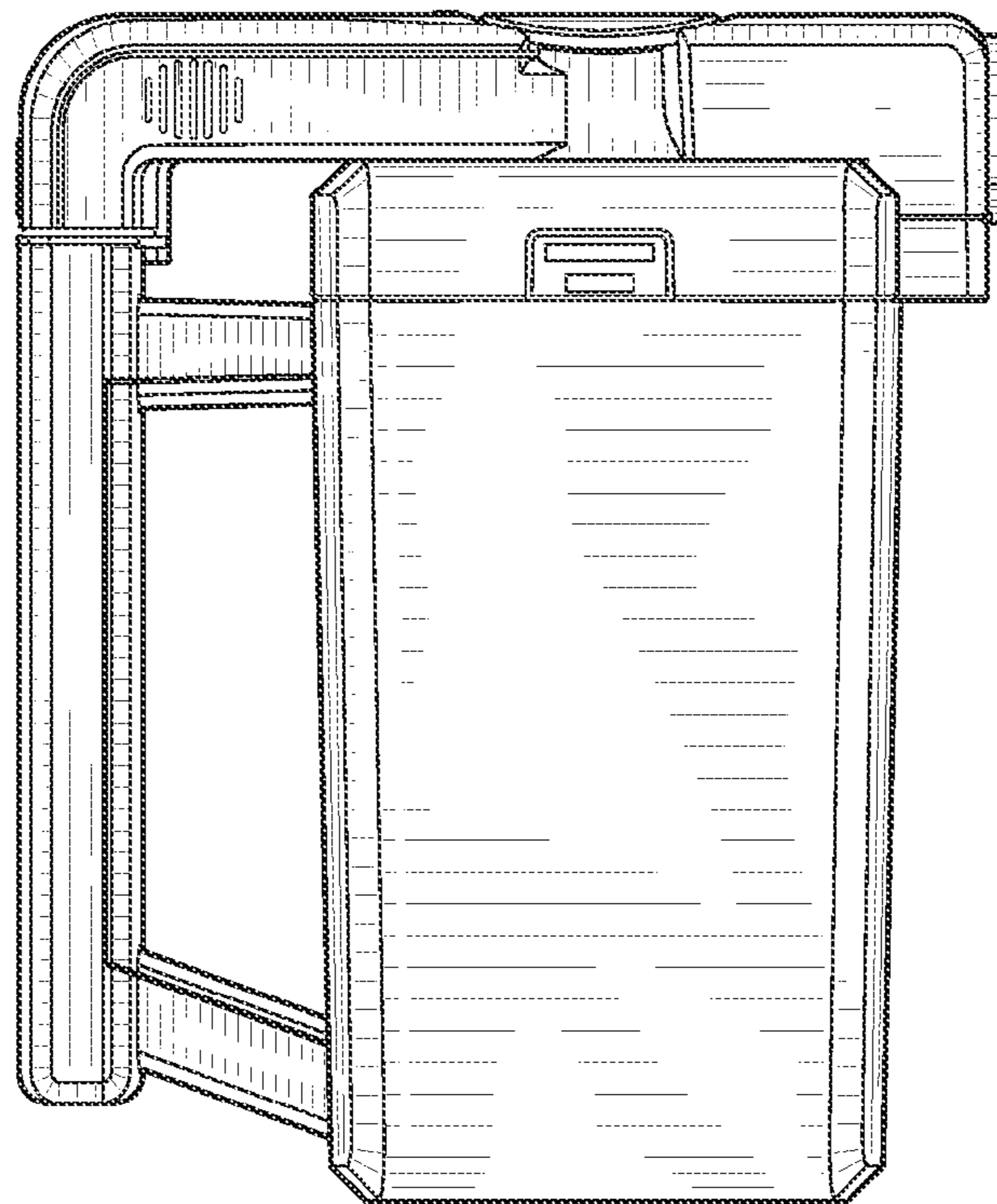


FIG. 5

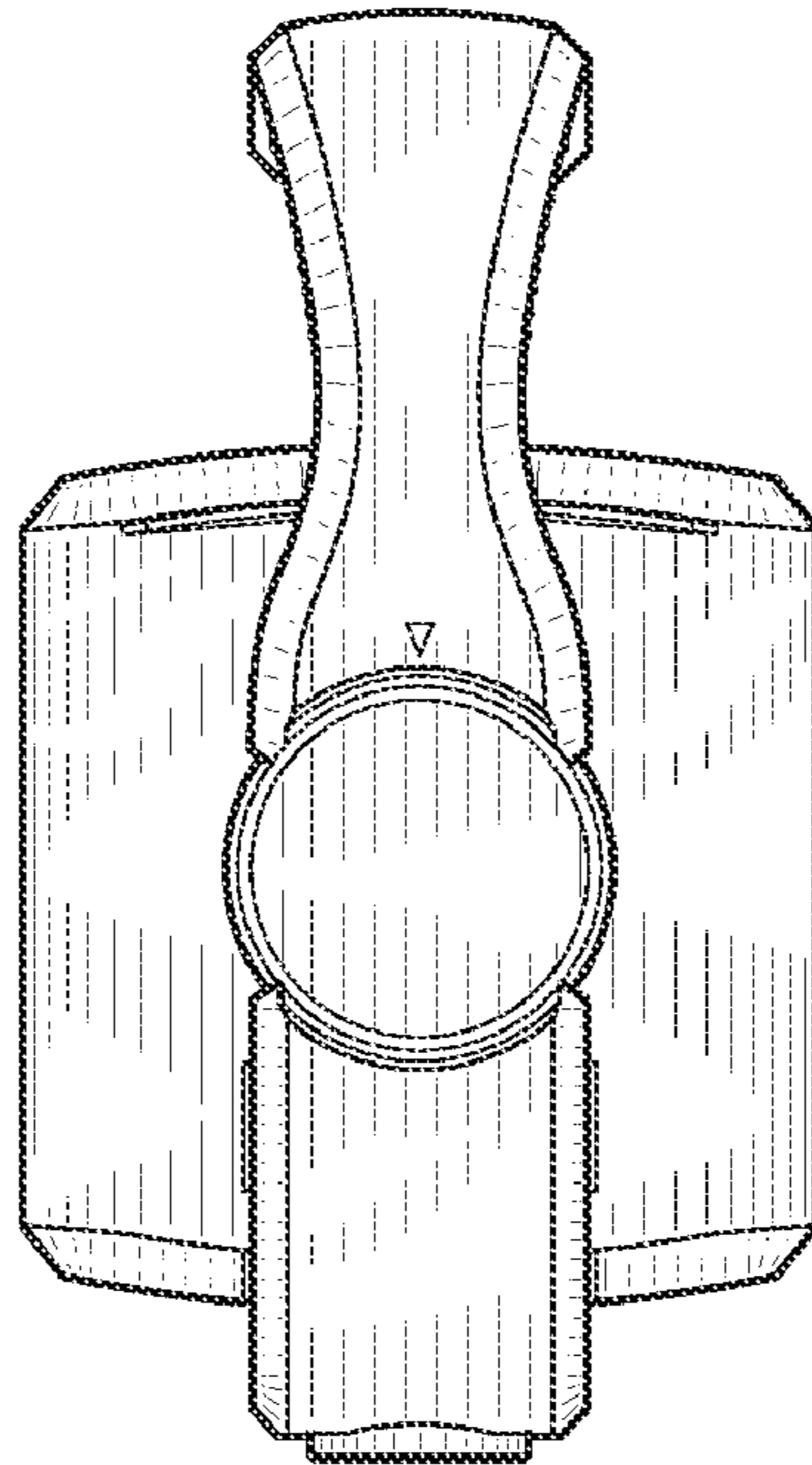


FIG. 6

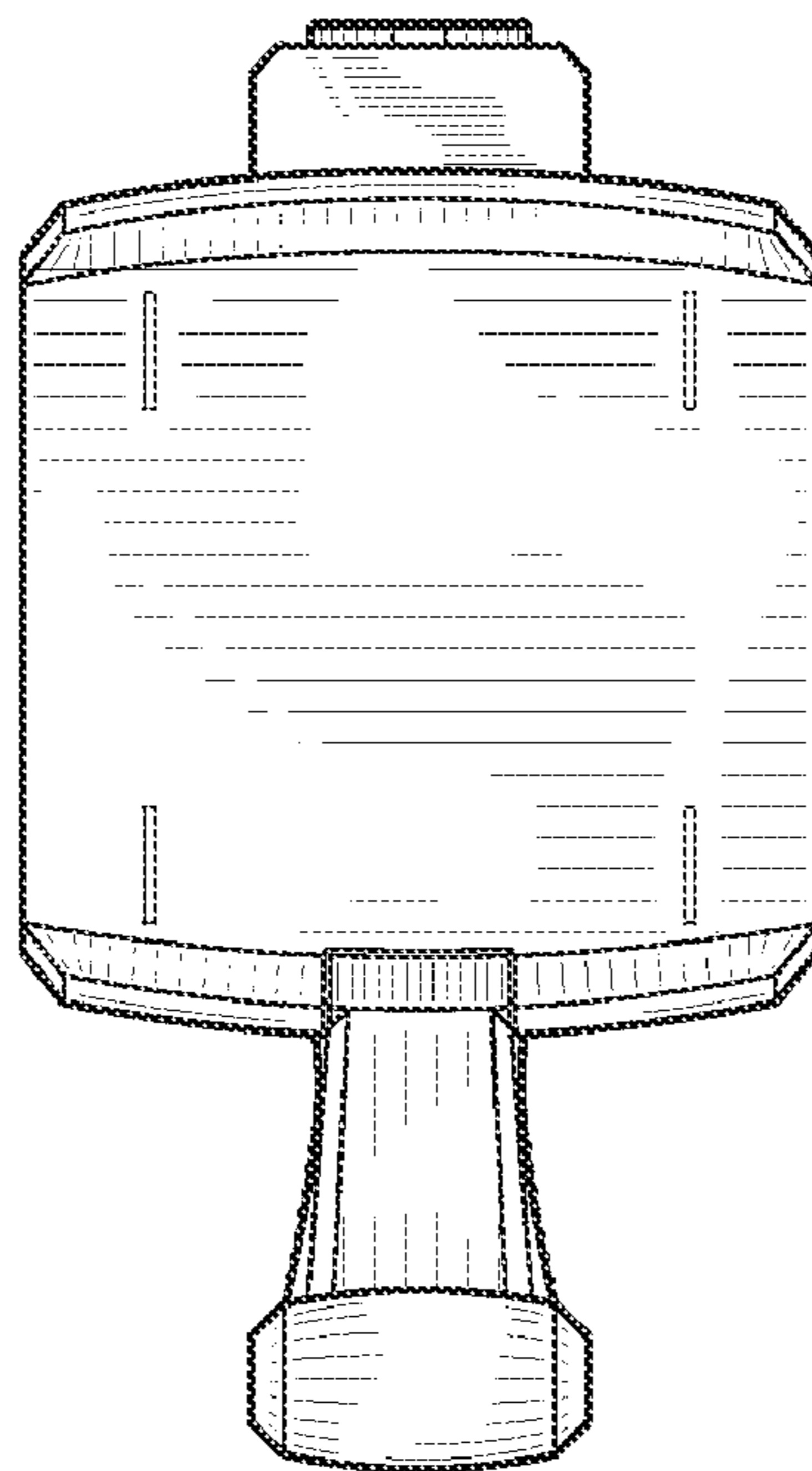


FIG. 7