



US00D632912S

(12) **United States Design Patent**
Lamb

(10) **Patent No.:** **US D632,912 S**

(45) **Date of Patent:** **** Feb. 22, 2011**

(54) **GOLF CLUB HOLDER**

D624,342 S * 9/2010 Coneal D6/552

(76) Inventor: **Gregory J. Lamb**, 3126 Fiddlers Green
Ridge, Cincinnati, OH (US) 45248

* cited by examiner

Primary Examiner—Brian N Vinson

(74) *Attorney, Agent, or Firm*—Neal O. Willmann

(**) Term: **14 Years**

(21) Appl. No.: **29/370,449**

(57) **CLAIM**

(22) Filed: **Jul. 19, 2010**

The ornamental design for the golf club holder, as shown and described.

(51) **LOC (9) Cl.** **08-08**

(52) **U.S. Cl.** **D6/552**

(58) **Field of Classification Search** D6/329,
D6/396, 417, 552, 553, 567; D21/385, 662,
D21/698, 796; 211/13.1, 49.1, 60.1, 64,
211/70.5, 86.01, 87.01, 88.01, 89.01, 181.1,
211/85.7; 248/560, 121, 175, 200, 302, 304,
248/309.1, 310, 312, 422.1, 156

See application file for complete search history.

DESCRIPTION

FIG. 1 is a front elevational view of a golf club holder showing my new design;

FIG. 2 is an enlarged partial front elevational view thereof;

FIG. 3 is an enlarged partial rear elevational view thereof;

FIG. 4 is an enlarged partial left side partial elevational view thereof, the right side being a mirror image of that shown

FIG. 5 is an enlarged top plan view thereof; and,

FIG. 6 is an enlarged bottom plan view thereof.

A portion of the vertical element is shown broken-away in the enlarged elevational views for convenience of illustration.

(56) **References Cited**

U.S. PATENT DOCUMENTS

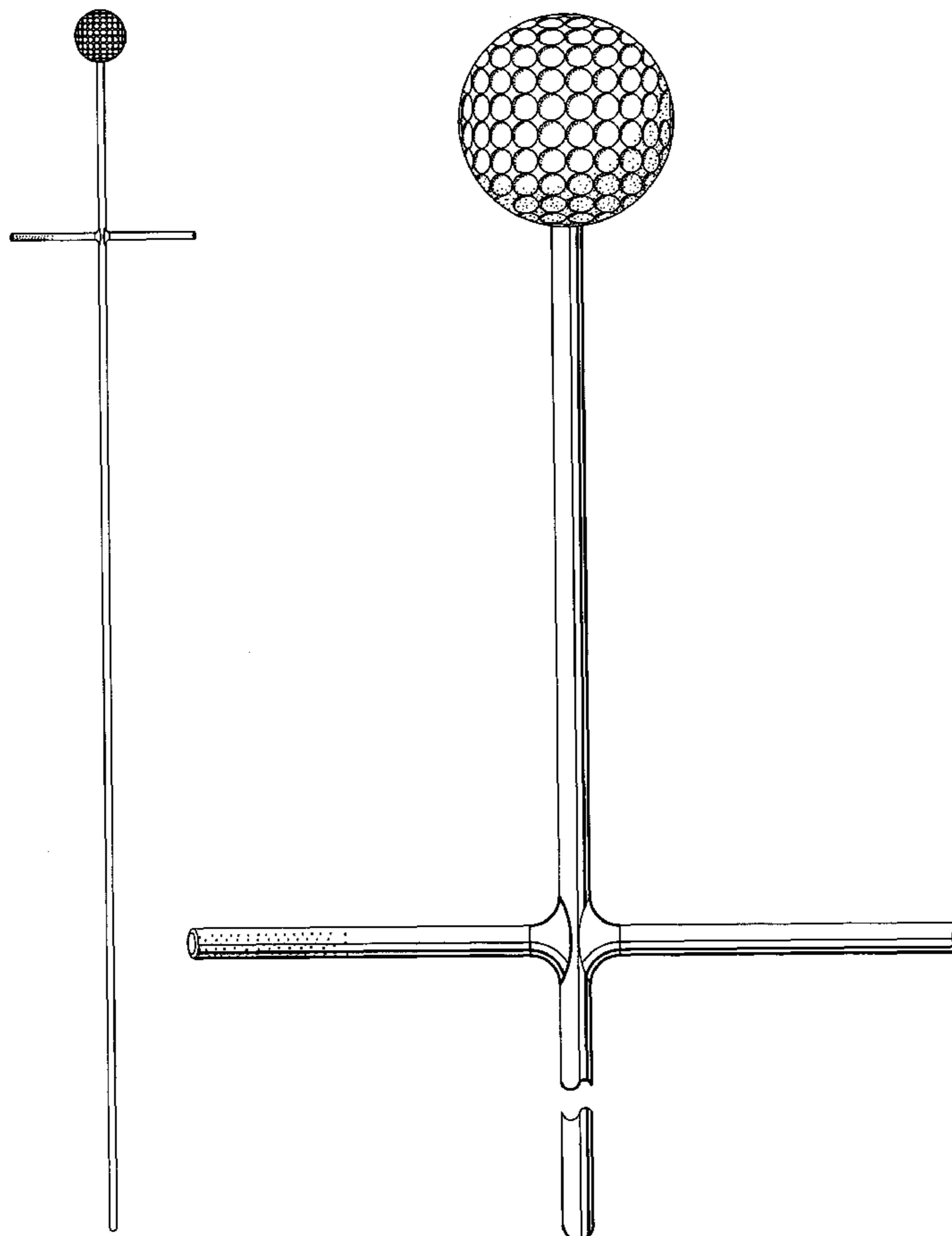
D360,248 S * 7/1995 Wright D21/796

D401,295 S * 11/1998 Young D21/796

D604,077 S * 11/2009 Cardenas D6/552

D604,078 S * 11/2009 Cardenas D6/552

1 Claim, 3 Drawing Sheets



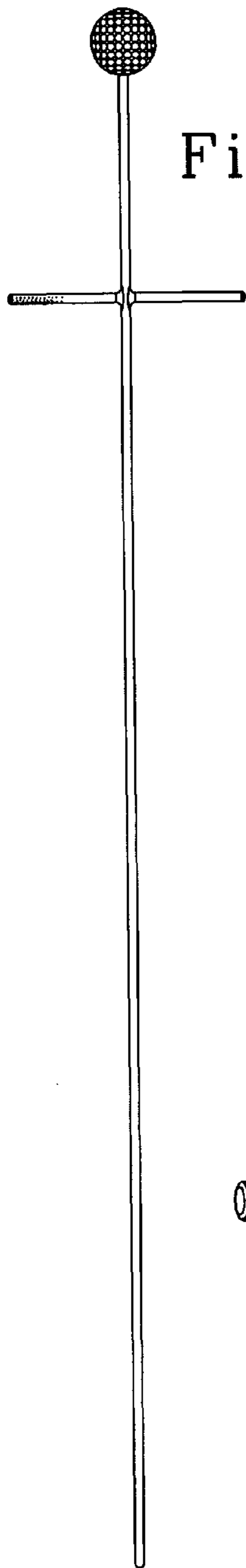


Fig. 1

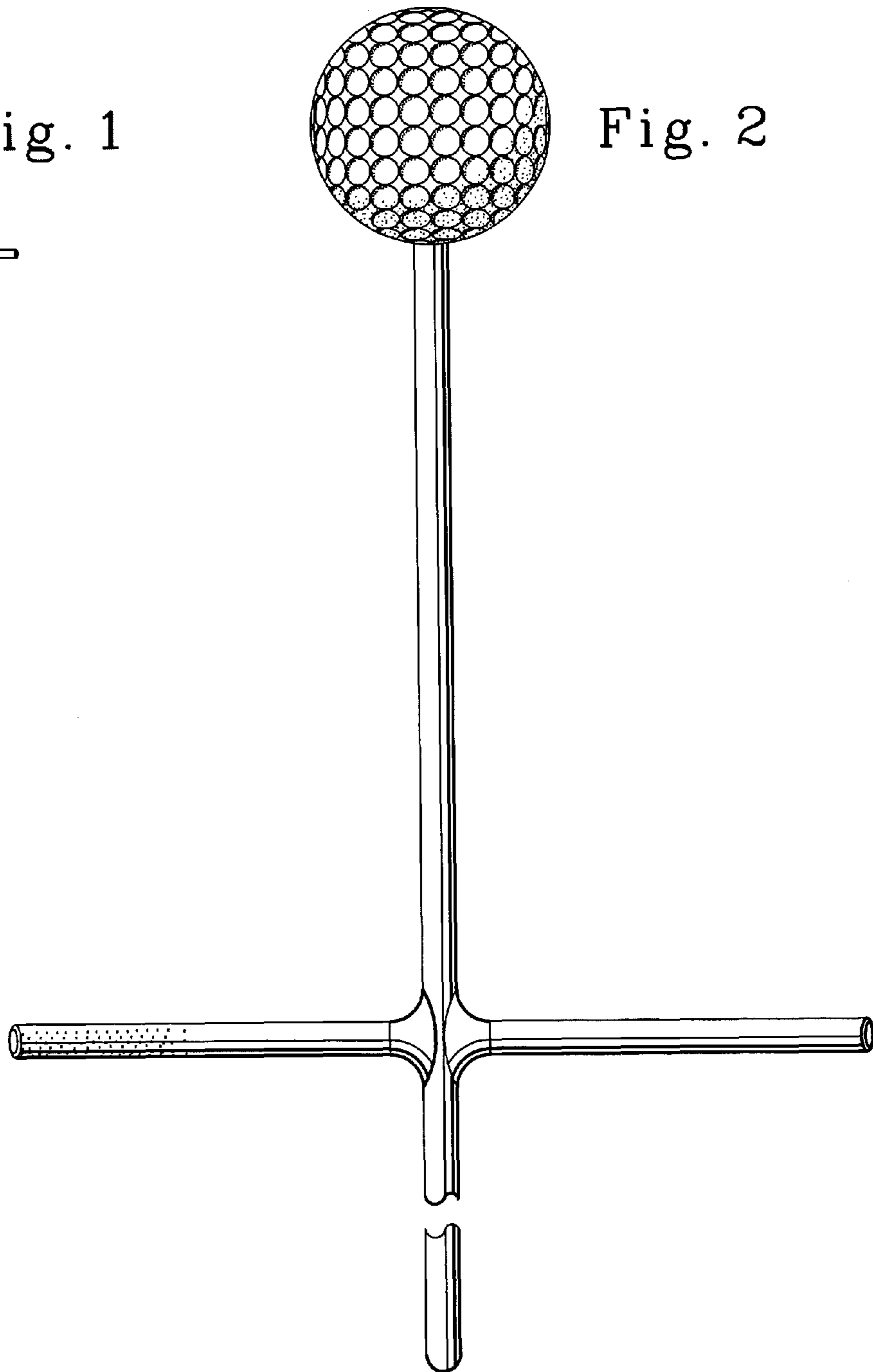
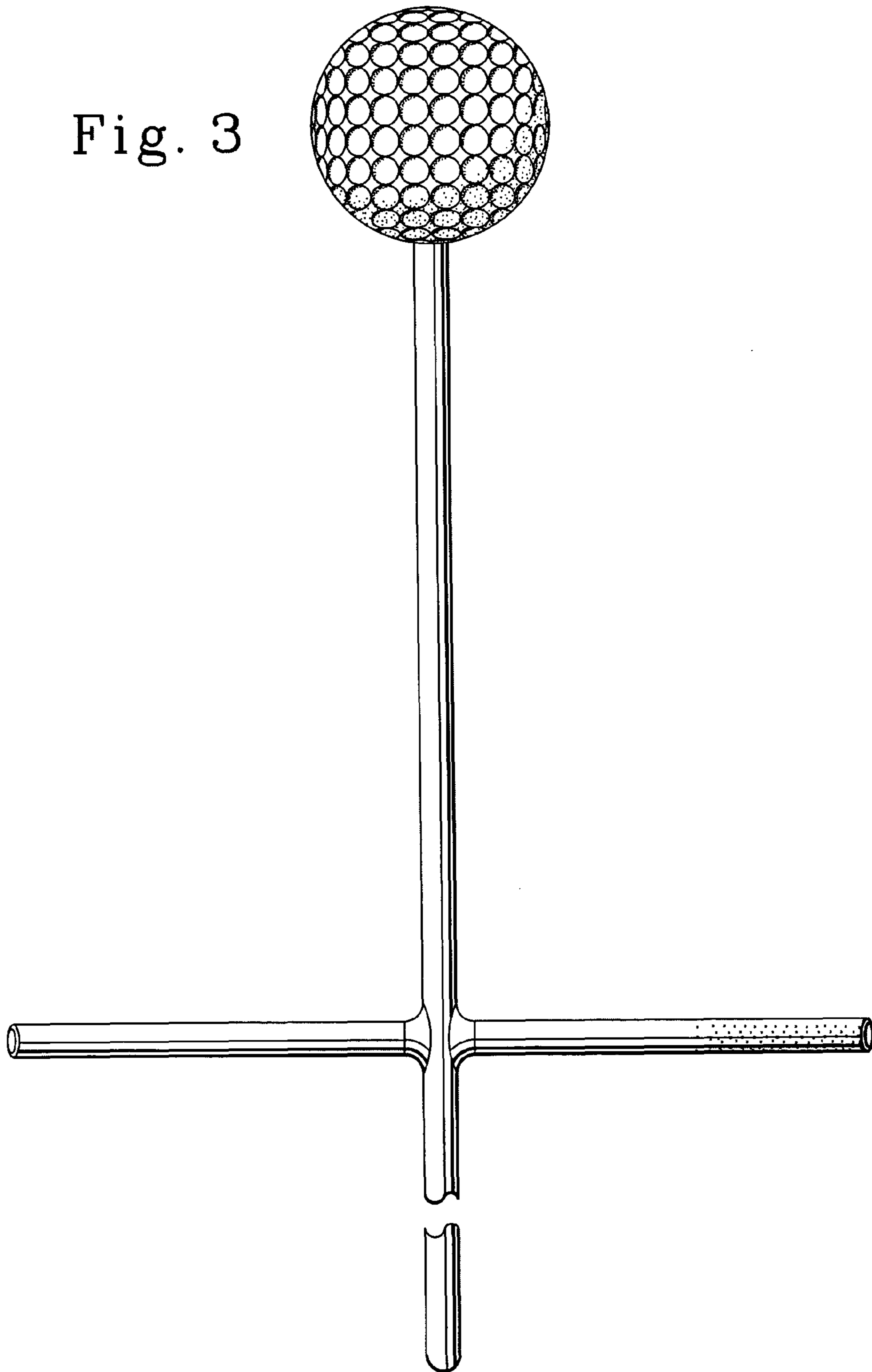


Fig. 2

Fig. 3



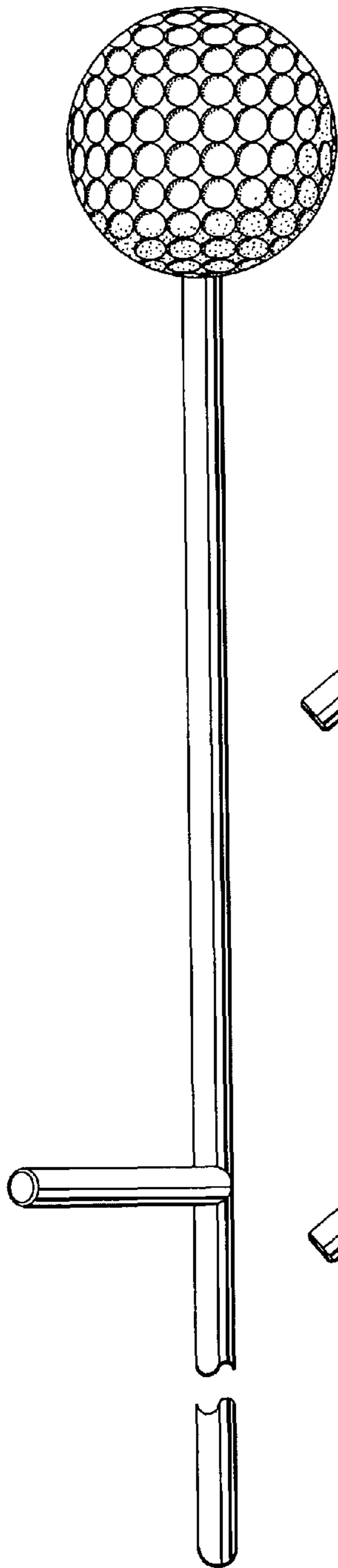


Fig. 4

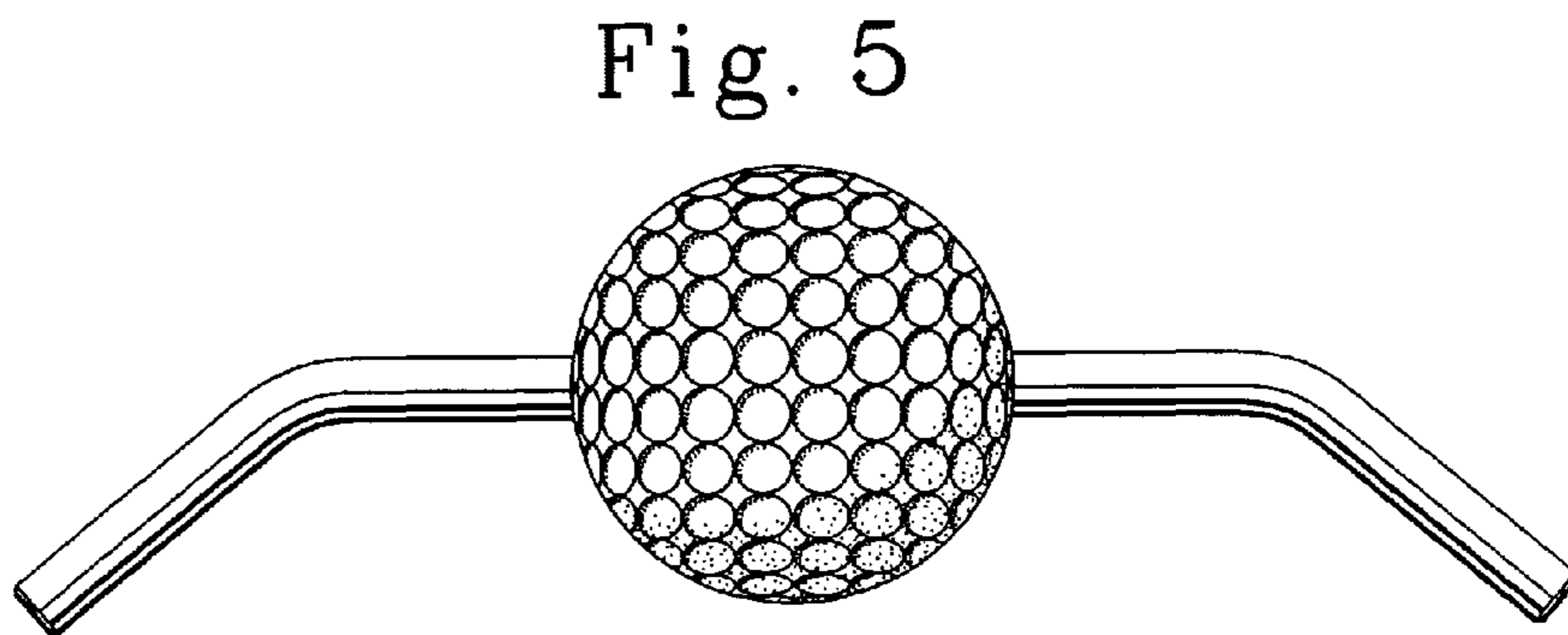


Fig. 5

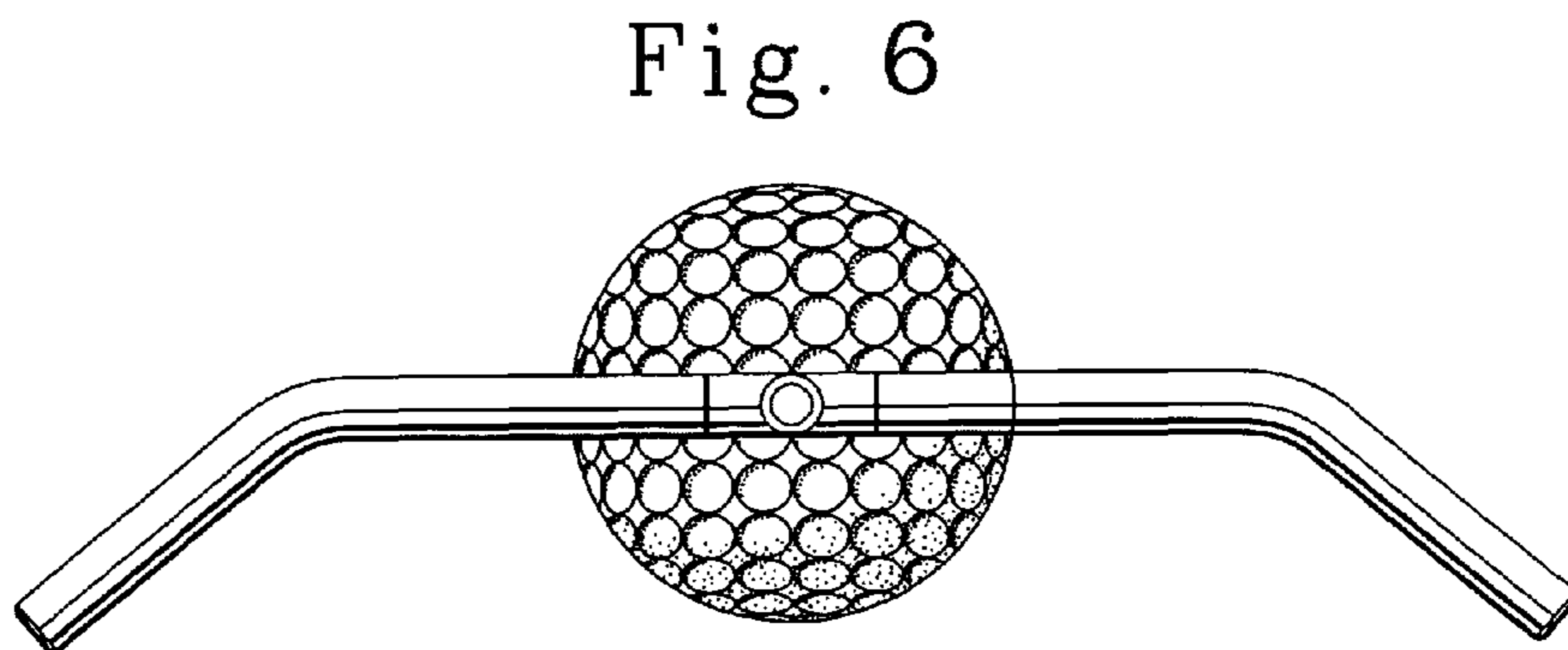


Fig. 6