



US00D632909S

(12) **United States Design Patent**
van der Heijden

(10) **Patent No.:** **US D632,909 S**
(45) **Date of Patent:** **** Feb. 22, 2011**

(54) **FLUID DISPENSER**

(75) Inventor: **Lambertus van der Heijden**, Bunnik
(GB)

(73) Assignee: **Diversey, Inc.**, Sturtevant, WI (US)

(**) Term: **14 Years**

(21) Appl. No.: **29/368,572**

(22) Filed: **Aug. 25, 2010**

Related U.S. Application Data

(62) Division of application No. 29/359,112, filed on Apr. 6, 2010, now Pat. No. Des. 623,456, which is a division of application No. 29/336,642, filed on May 6, 2009, now Pat. No. Des. 615,790.

(51) **LOC (9) Cl.** **23-02**

(52) **U.S. Cl.** **D6/545**

(58) **Field of Classification Search** D6/542-545;
221/208, 282, 283; 222/105, 173, 180, 181.1,
222/181.2, 181.3

See application file for complete search history.

(56) **References Cited**

U.S. PATENT DOCUMENTS

4,905,873 A * 3/1990 Loesel et al. D6/545
D393,975 S * 5/1998 Bunschoten et al. D6/545
D414,363 S * 9/1999 Daansen D6/545
D448,958 S * 10/2001 Gross D6/545
D530,123 S * 10/2006 Ophardt et al. D6/545

D563,133 S * 3/2008 Kramer D6/545
D568,660 S * 5/2008 Hodgson et al. D6/545
D569,669 S * 5/2008 Nichols et al. D6/545
D579,250 S * 10/2008 Cittadino et al. D6/545

FOREIGN PATENT DOCUMENTS

WO 01/28397 4/2001

* cited by examiner

Primary Examiner—Brian N Vinson

(74) *Attorney, Agent, or Firm*—Gregory S. Bollis

(57) **CLAIM**

The ornamental design for a fluid dispenser, as shown and described.

DESCRIPTION

FIG. 1 is a top, front, and right side perspective view of a fluid dispenser showing my new design;

FIG. 2 is a front elevational view thereof;

FIG. 3 is a rear elevational view thereof;

FIG. 4 is a top plan view thereof;

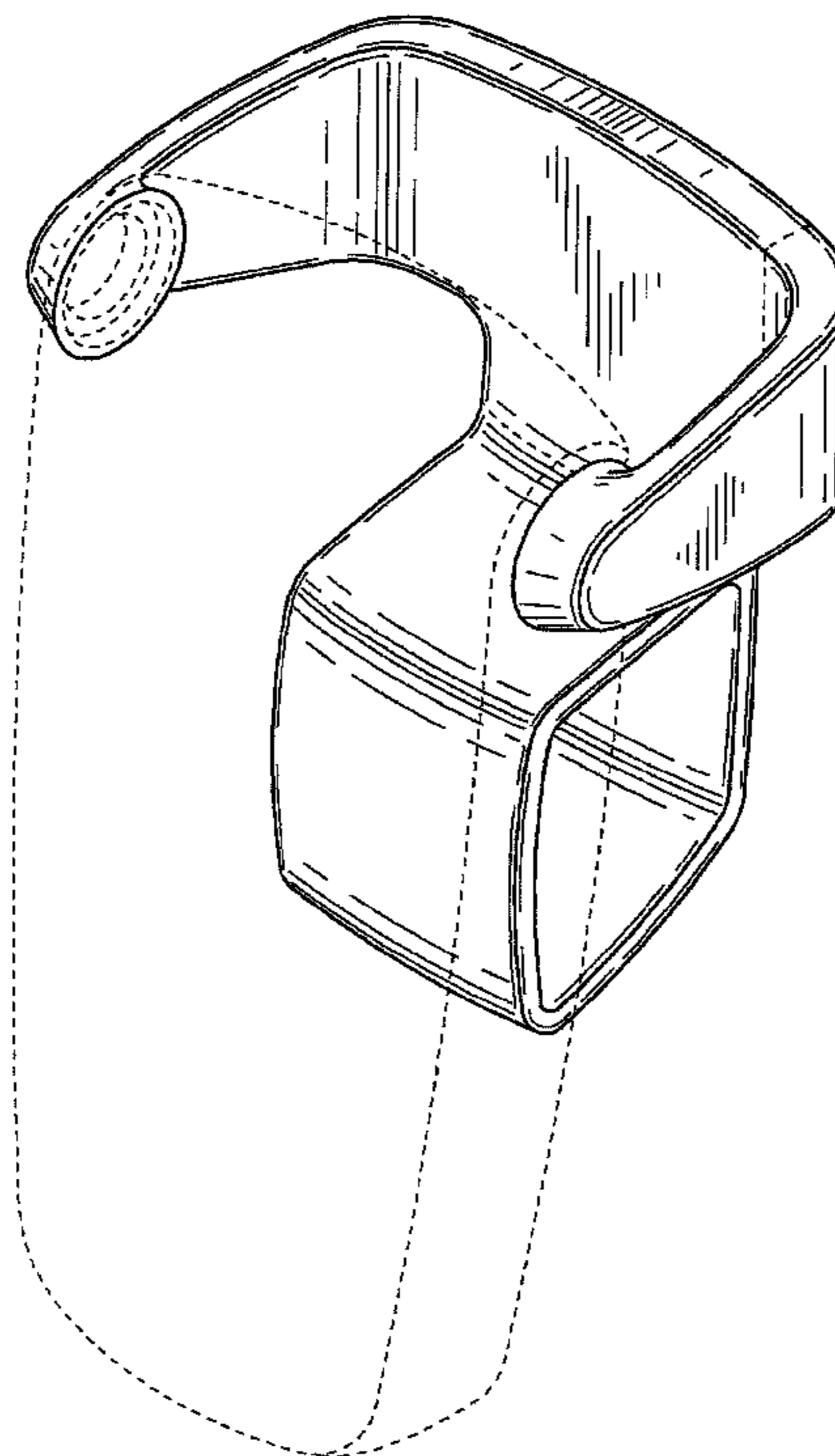
FIG. 5 is a bottom plan view thereof;

FIG. 6 is a right side elevational view thereof; and,

FIG. 7 is a left side elevational view thereof.

The broken-line disclosure in the views is understood to represent portions of the article in which the claimed design is embodied, but which form no part of the claimed design.

1 Claim, 7 Drawing Sheets



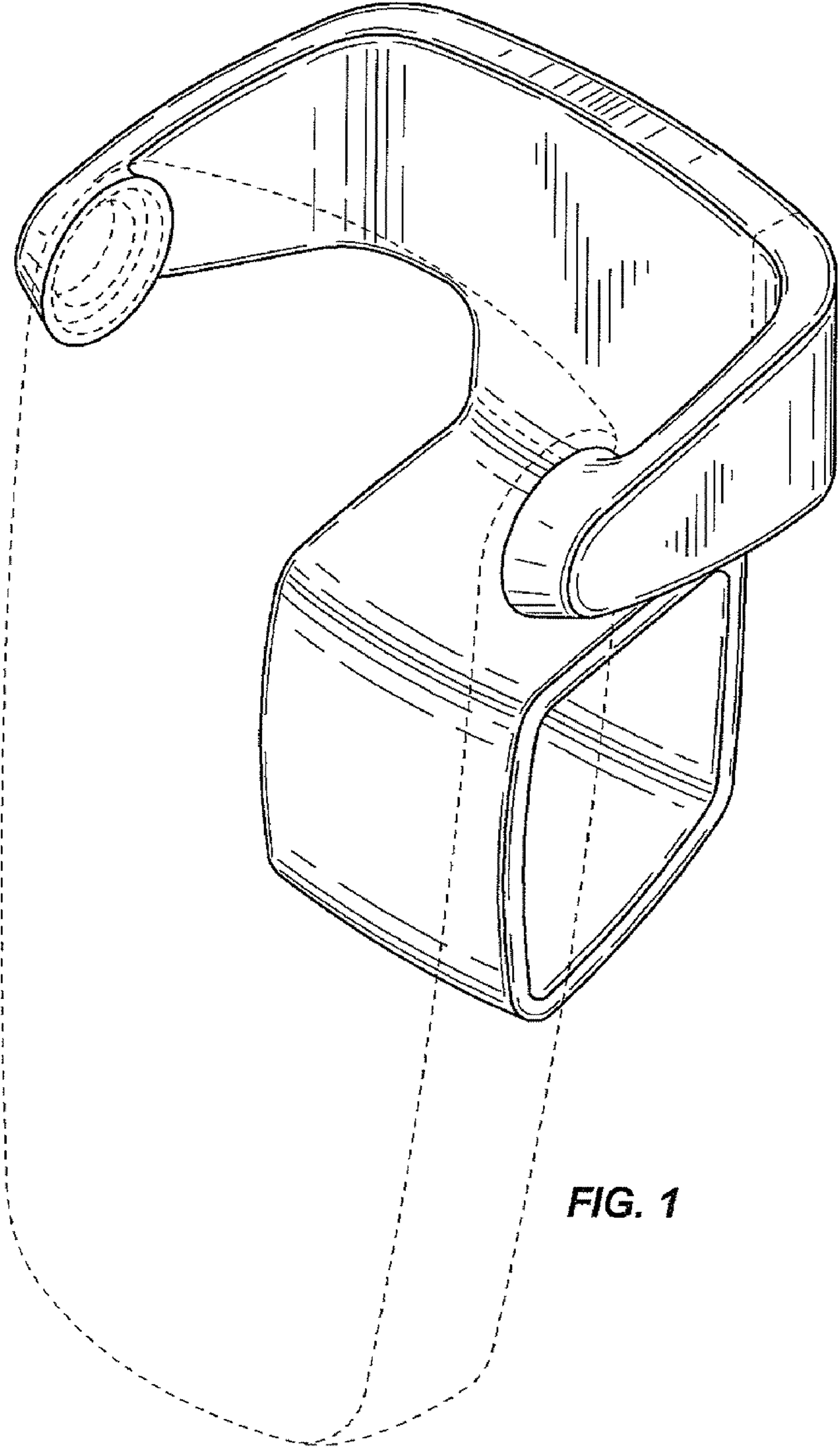


FIG. 1

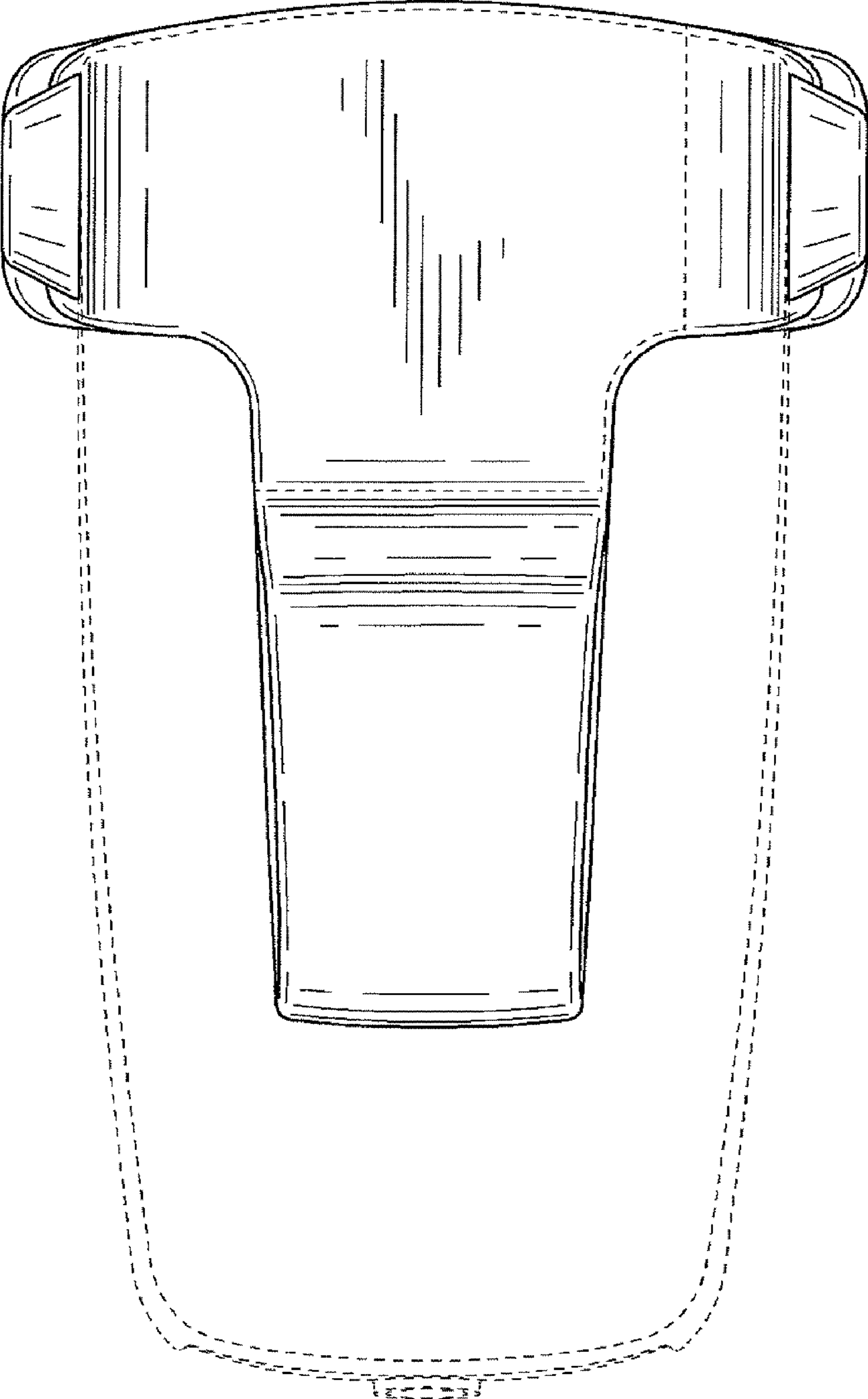


FIG. 2

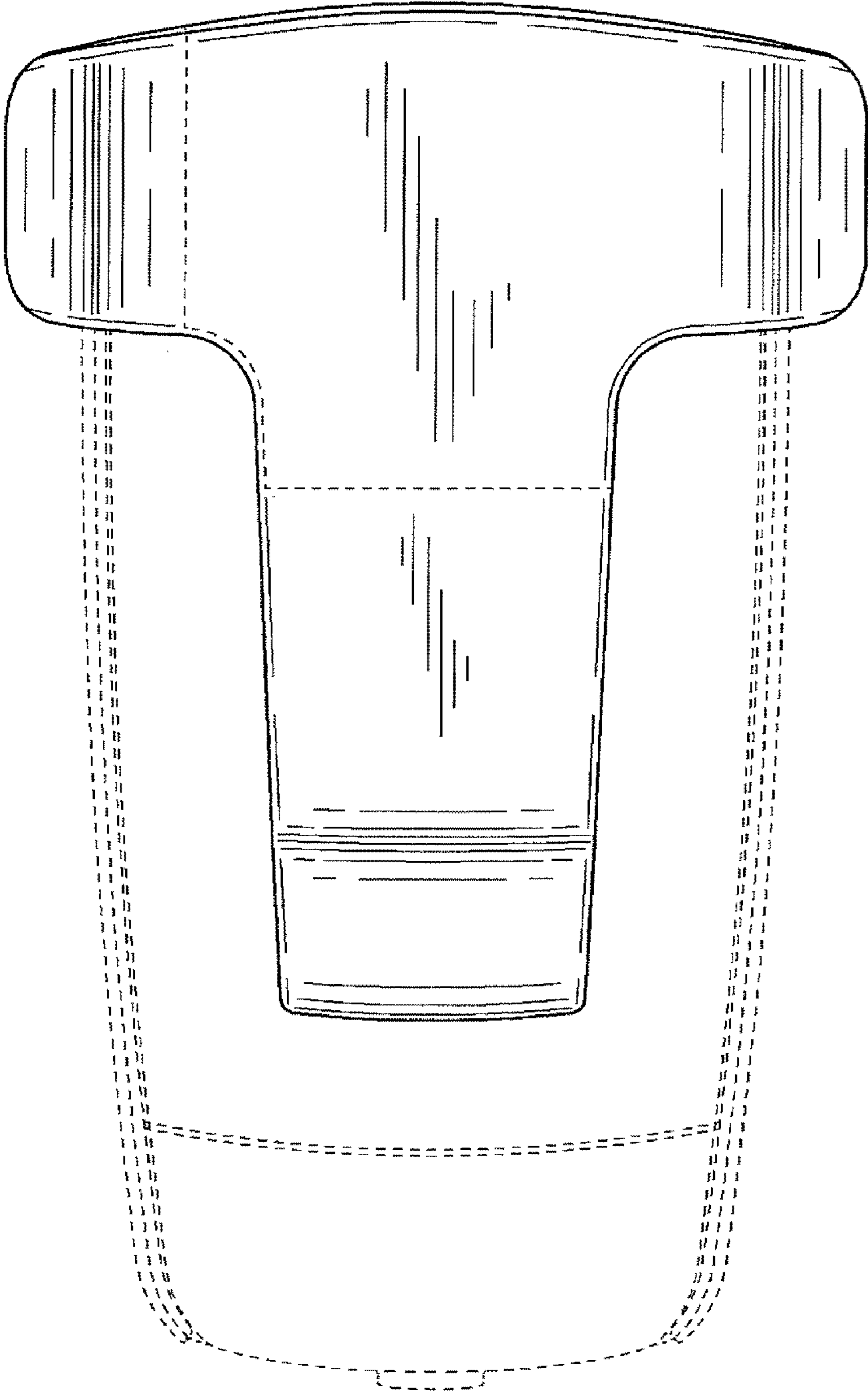


FIG. 3

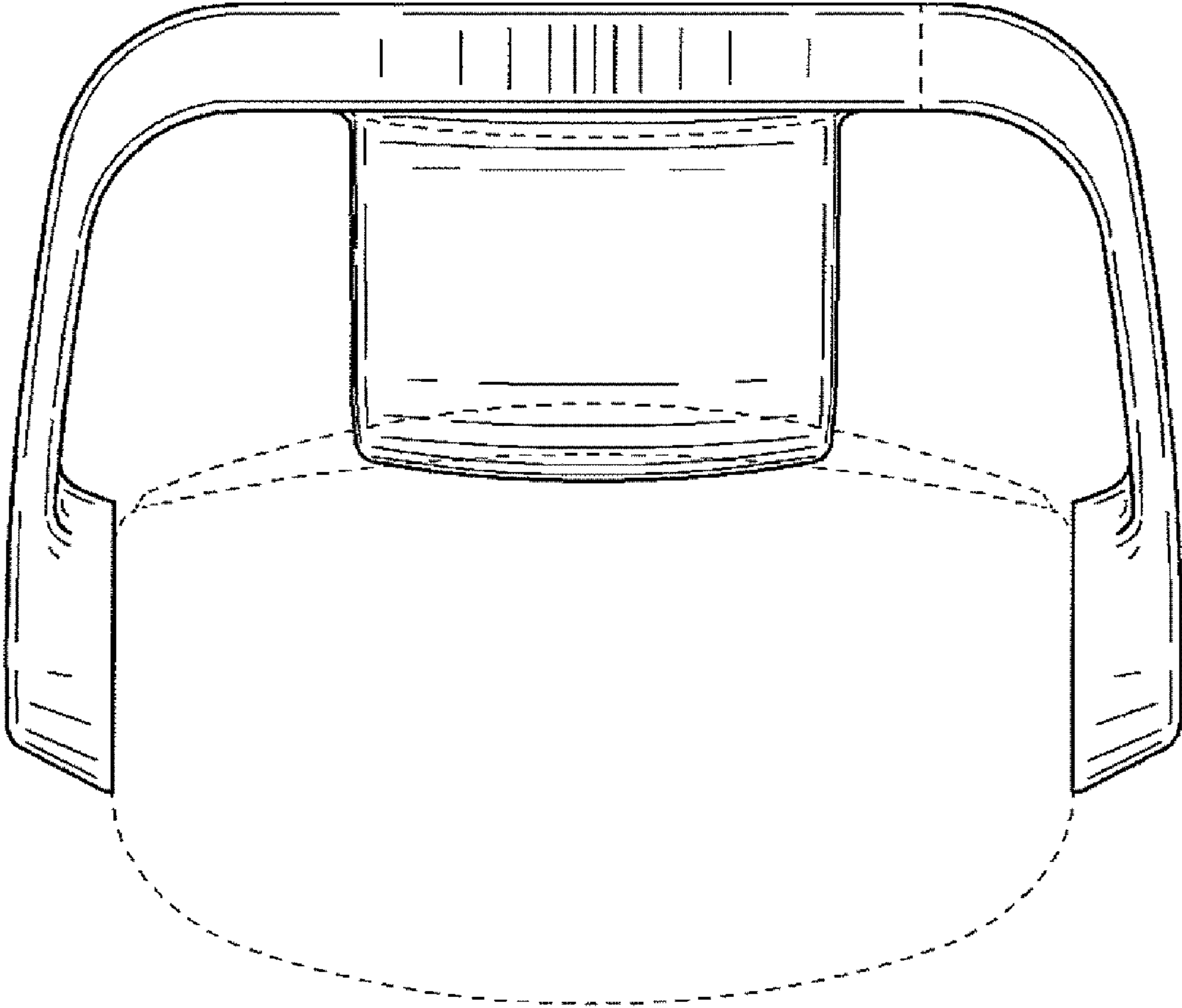


FIG. 4

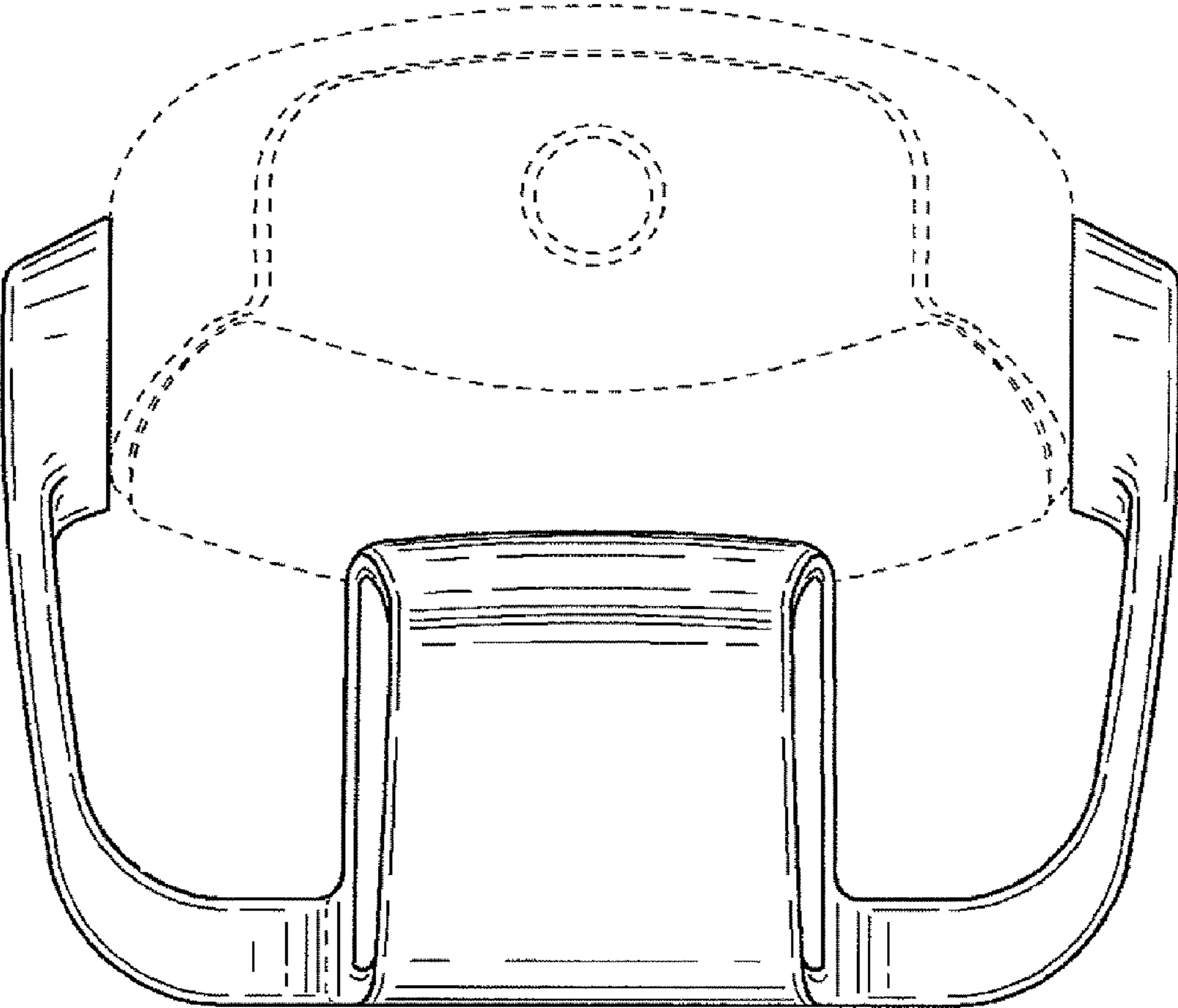


FIG. 5

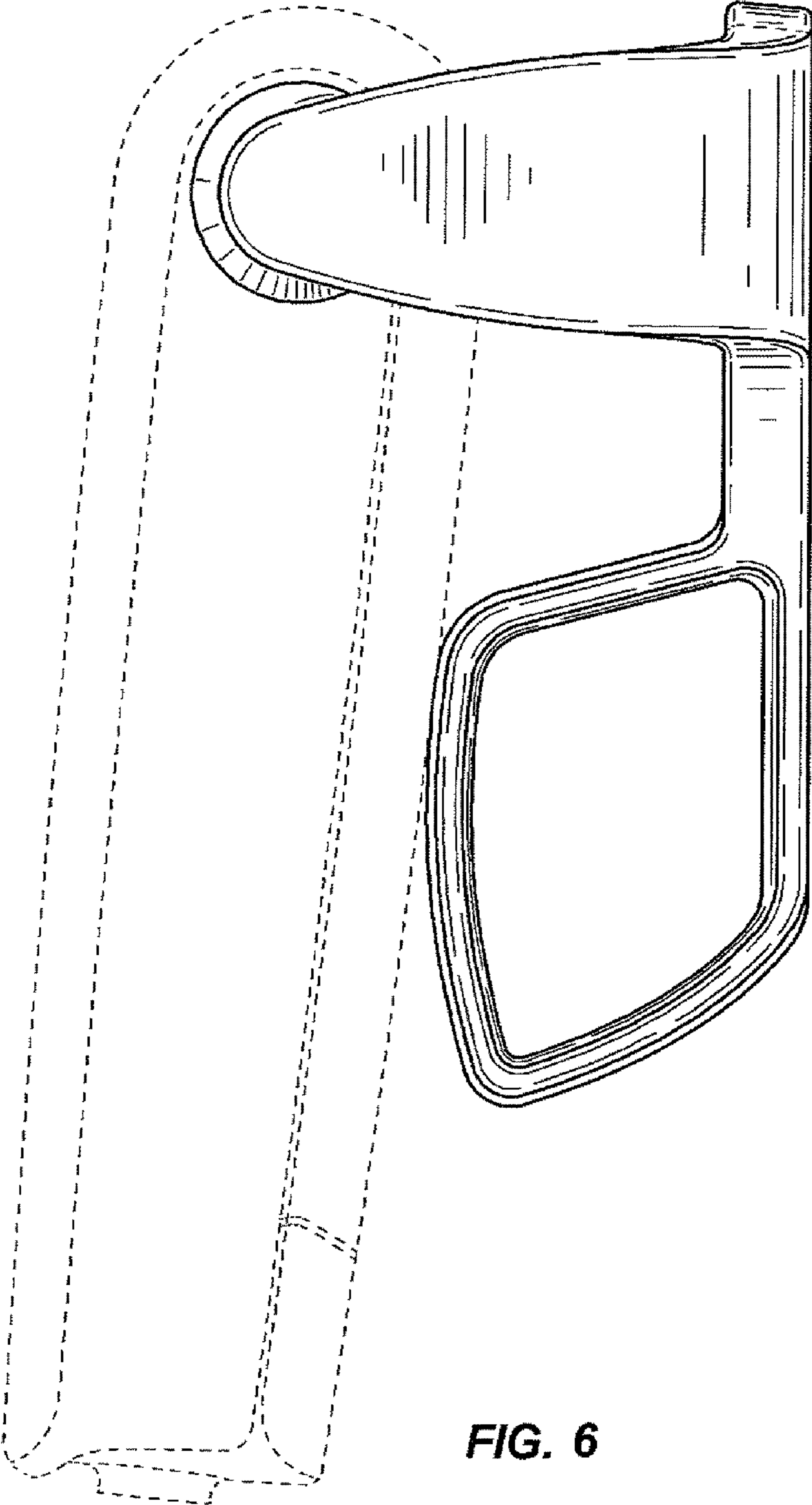


FIG. 6

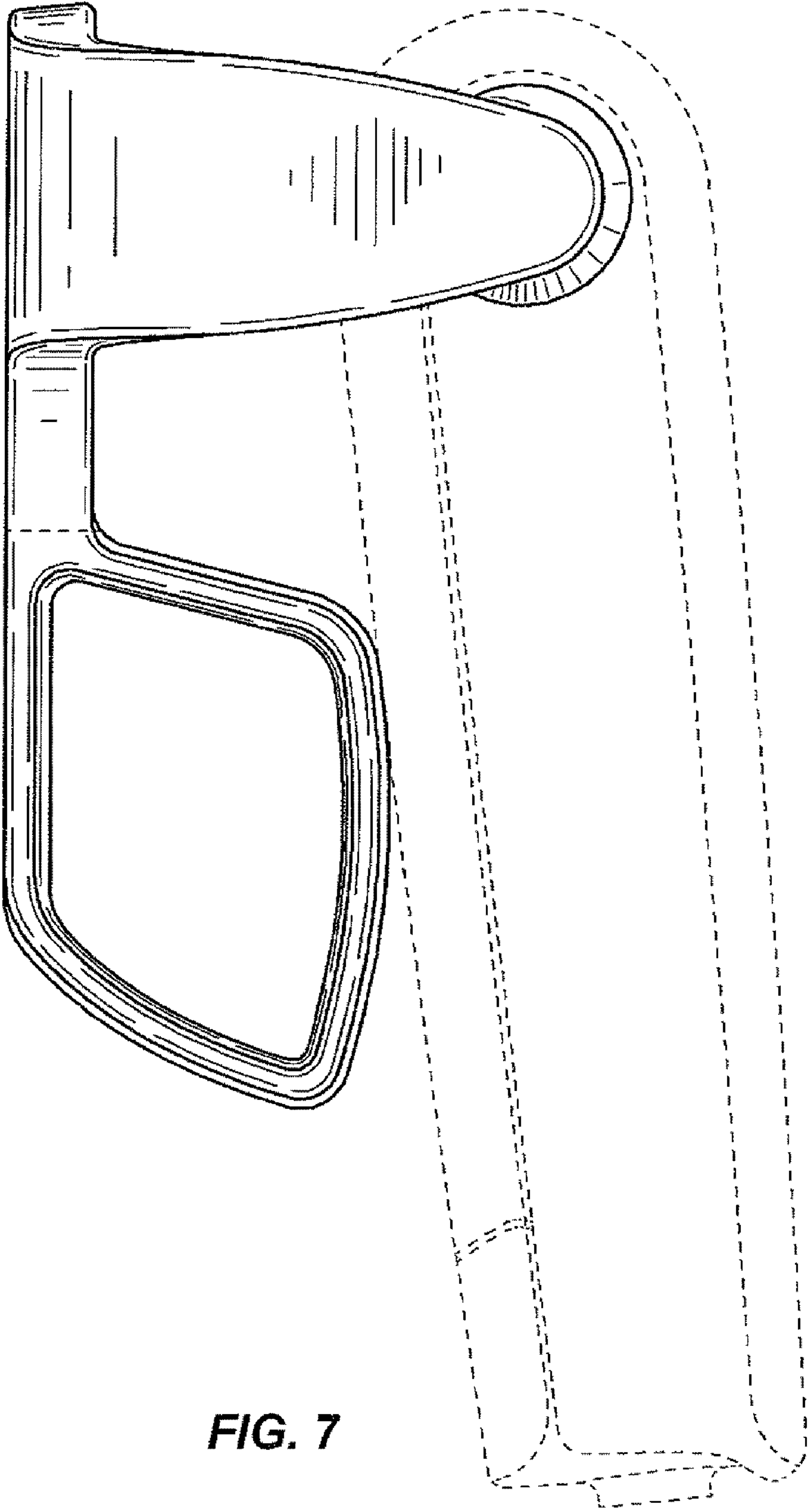


FIG. 7