



US00D632908S

(12) **United States Design Patent**
Tincher

(10) **Patent No.:** **US D632,908 S**

(45) **Date of Patent:** **** Feb. 22, 2011**

(54) **CUP HOLDER**

(76) **Inventor:** **Sidney Tincher**, 2404 35th Ave.,
Minneapolis, MN (US) 55406

(**) **Term:** **14 Years**

(21) **Appl. No.:** **29/363,599**

(22) **Filed:** **Jun. 11, 2010**

(51) **LOC (9) Cl.** **06-06**

(52) **U.S. Cl.** **D6/513; D6/566; D7/602**

(58) **Field of Classification Search** D6/410,
D6/411, 462, 546, 548, 553, 567, 574, 566,
D6/540, 556, 512-514; D32/58, 59; 242/597.5,
242/597.7, 597.8; 211/13.1, 26, 86.01, 119.004,
211/123, 124, 181.1, 16, 87.01, 106; 248/127,
248/153, 175, 176.1, 200.1, 302, 309.1, 206.2,
248/108, 103, 107; D7/704, 619, 620, 619.1,
D7/388

See application file for complete search history.

(56) **References Cited**

U.S. PATENT DOCUMENTS

556,337 A	3/1896	Dawes	
2,628,054 A	2/1953	Fazakerley	
D180,676 S	7/1957	Thorpe	
3,332,653 A	7/1967	Hoelzel	
3,568,969 A	3/1971	Boman	
4,131,259 A	12/1978	Franks	
D258,330 S *	2/1981	Bosley	D6/556
D306,521 S	3/1990	Kenney	
5,009,380 A	4/1991	Fee	
D337,226 S *	7/1993	Rosenbaum	D6/513
D352,674 S *	11/1994	Richards et al.	D6/566
5,390,443 A	2/1995	Emalfarb et al.	
5,402,899 A *	4/1995	Ammeson	248/107
D367,998 S *	3/1996	Graw et al.	D7/620
5,511,754 A	4/1996	Johannsen	
5,558,236 A *	9/1996	Williams et al.	D6/566
D375,229 S *	11/1996	DiBella	D7/619.1

5,711,502 A	1/1998	Emalfarb et al.	
5,957,238 A	9/1999	Curvin, II	
6,065,727 A	5/2000	Fitzgerald et al.	
D554,927 S *	11/2007	Smith	D6/566
D560,441 S *	1/2008	Kacmarynski	D7/619.1
D563,709 S *	3/2008	Snell	D6/566
D575,091 S *	8/2008	Ketelhut	D6/566
D583,630 S *	12/2008	Goodman et al.	D7/619.1

(Continued)

OTHER PUBLICATIONS

“Boing” Cup Holder, Container Store Catalogue p. 35.*

Primary Examiner—Brian N Vinson
(74) *Attorney, Agent, or Firm*—Fredrikson & Byron, PA

(57) **CLAIM**

I claim the ornamental design for a cup holder, as shown and described.

DESCRIPTION

FIG. 1 is a top, front, and left side perspective view of a cup holder showing my new design, the fragmentary broken-line disclosure of a bar element is shown for illustrative purposes only and forms no part of the claimed design;

FIG. 2 is a side view of the cup holder of FIG. 1;

FIG. 3 is a front view of the cup holder of FIG. 1;

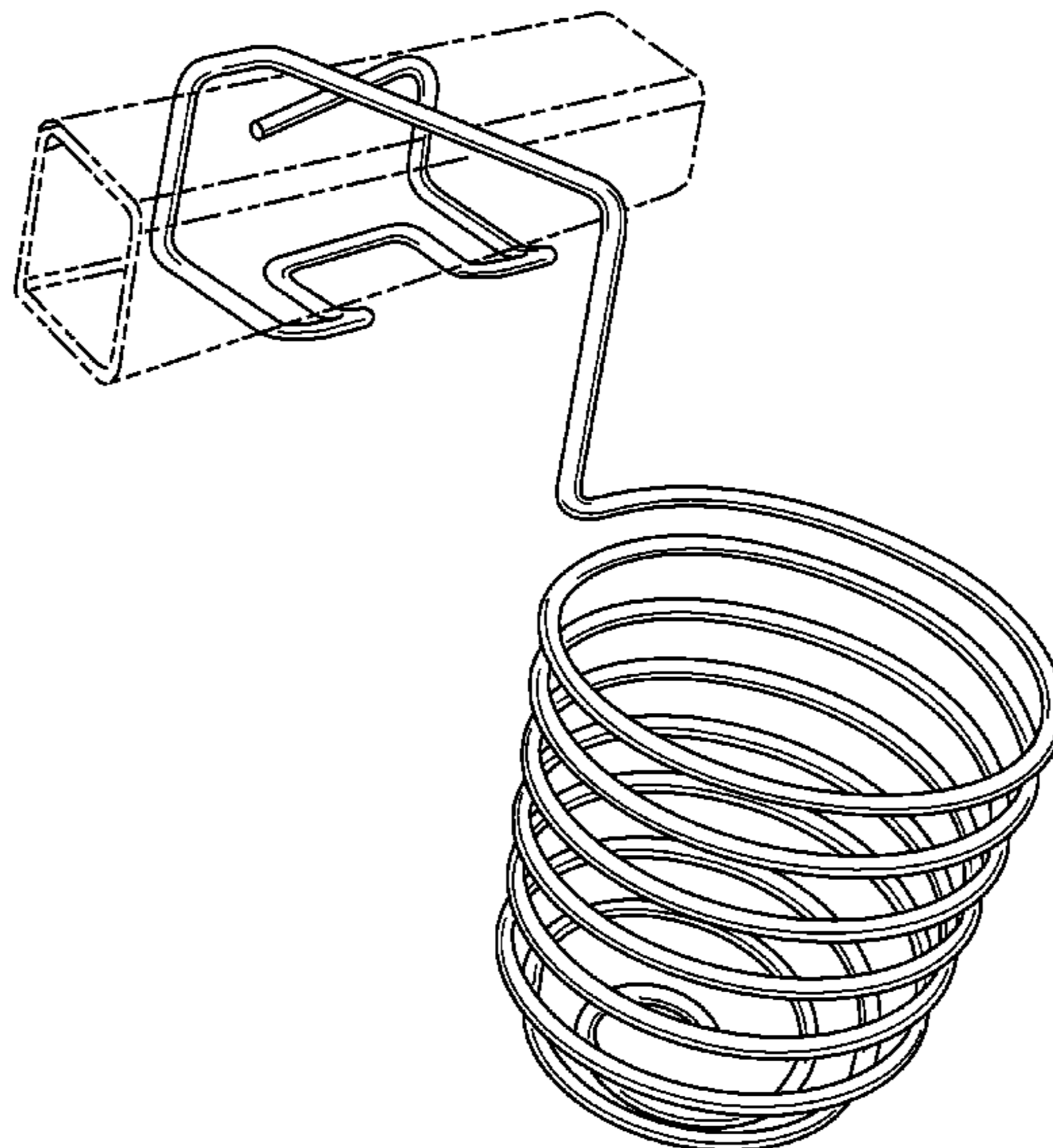
FIG. 4 is a side view of the cup holder of FIG. 1;

FIG. 5 is a back view of the cup holder of FIG. 1;

FIG. 6 is top view of the cup holder of FIG. 1; and,

FIG. 7 is a bottom view of the cup holder of FIG. 1.

1 Claim, 6 Drawing Sheets



US D632,908 S

Page 2

U.S. PATENT DOCUMENTS

D589,873 S 4/2009 Banks
7,669,819 B2 3/2010 Meyers

7,690,612 B1 4/2010 Branson

* cited by examiner

Fig. 1

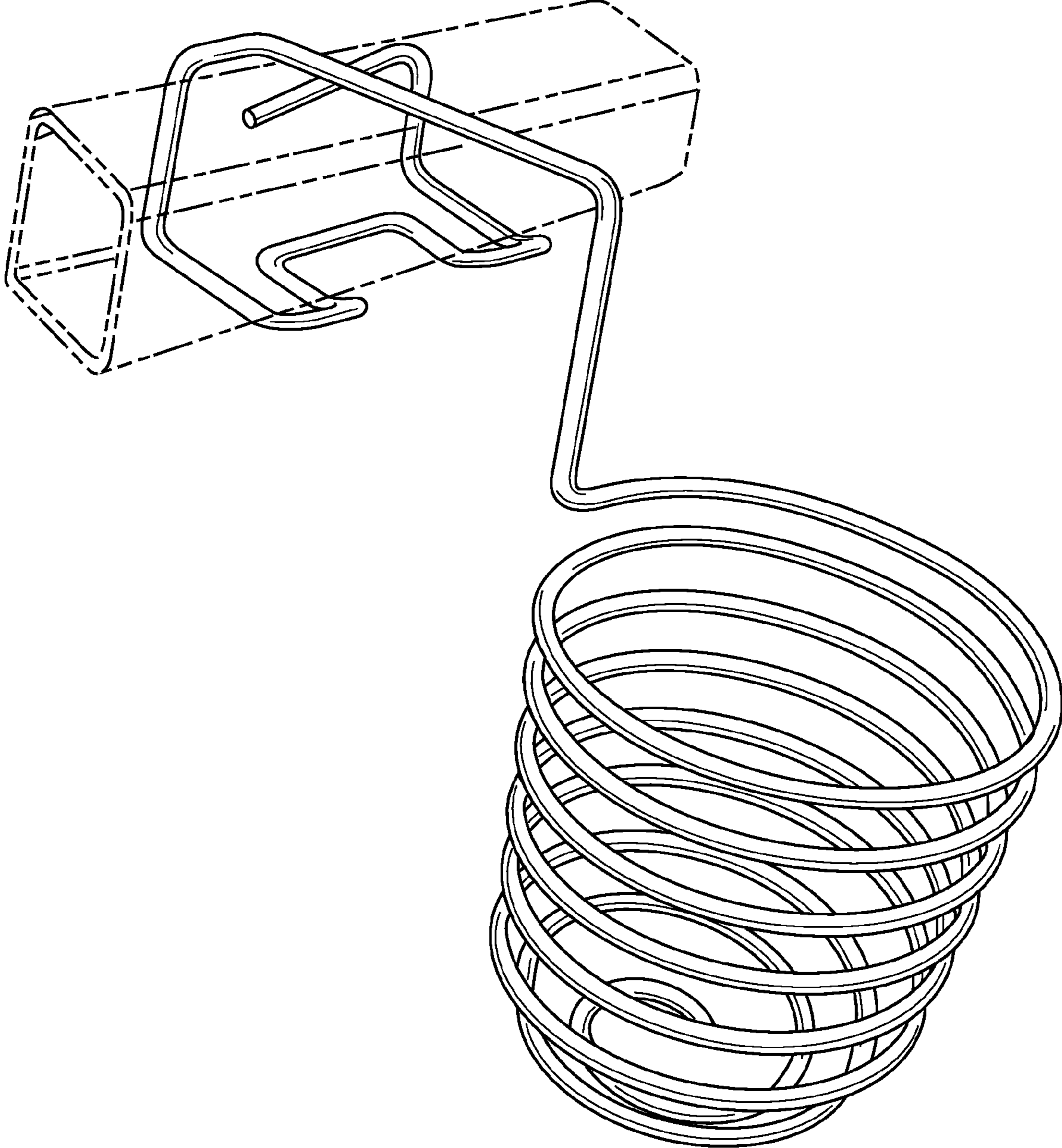


Fig. 2

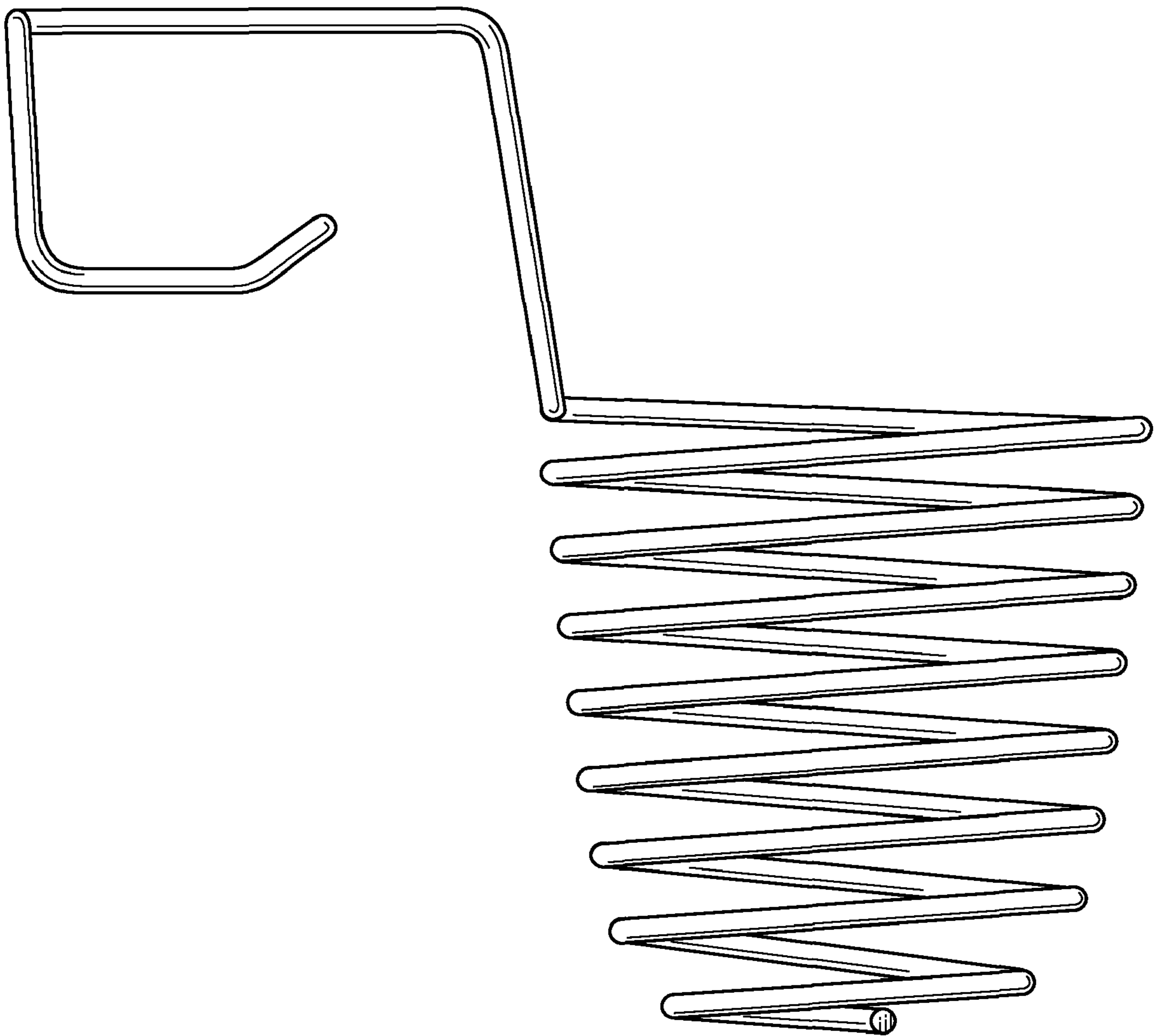


Fig. 3

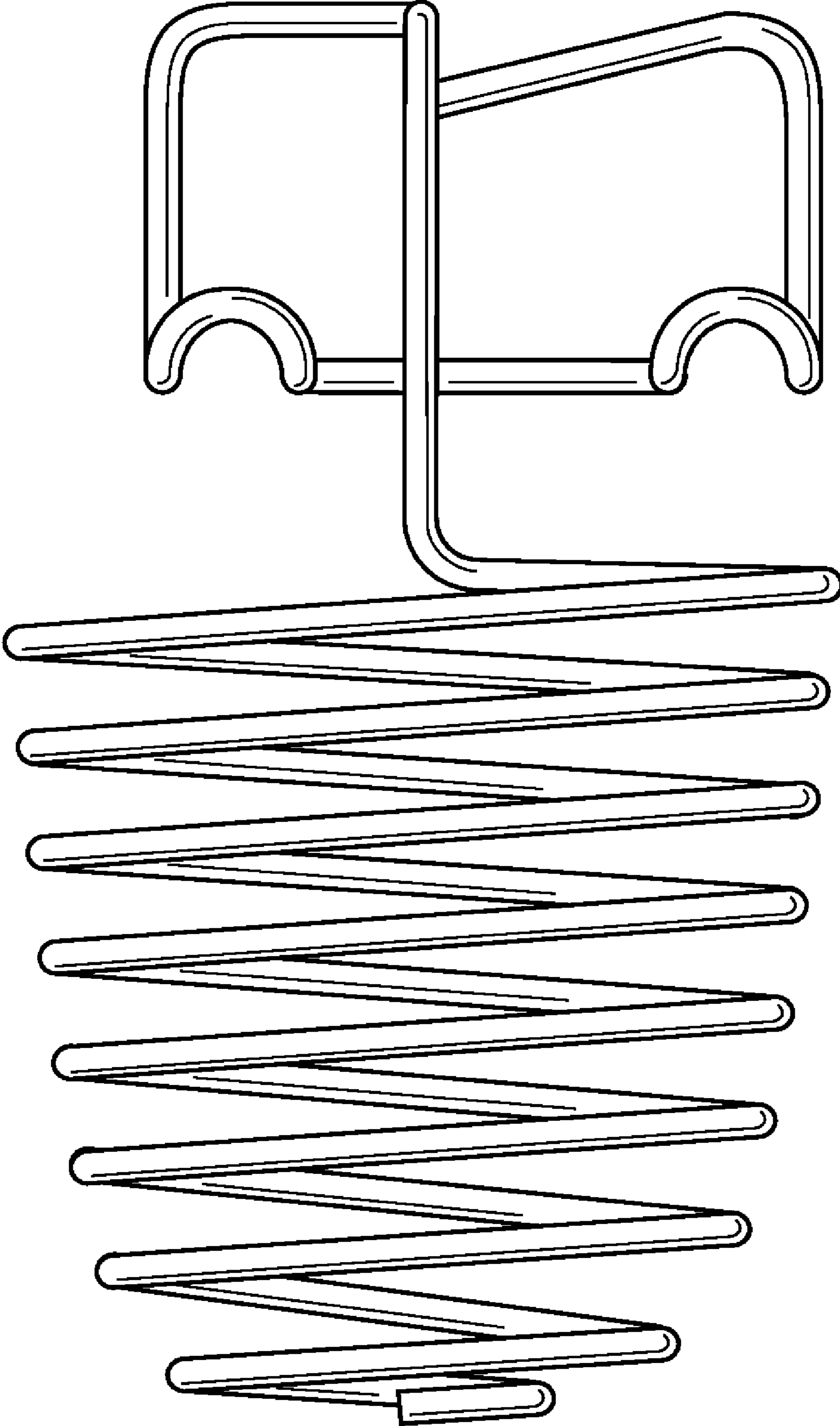


Fig. 4

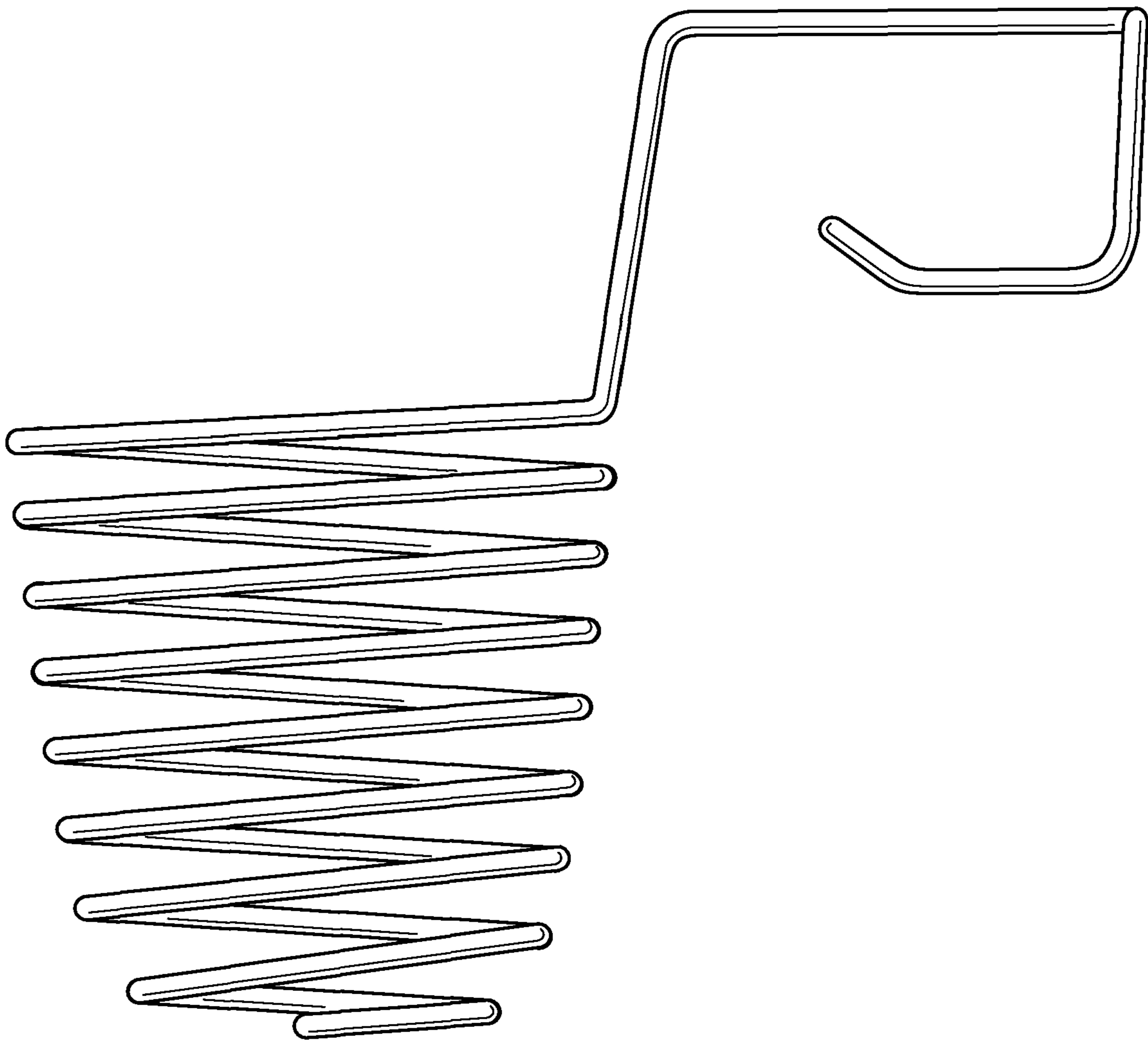


Fig. 5

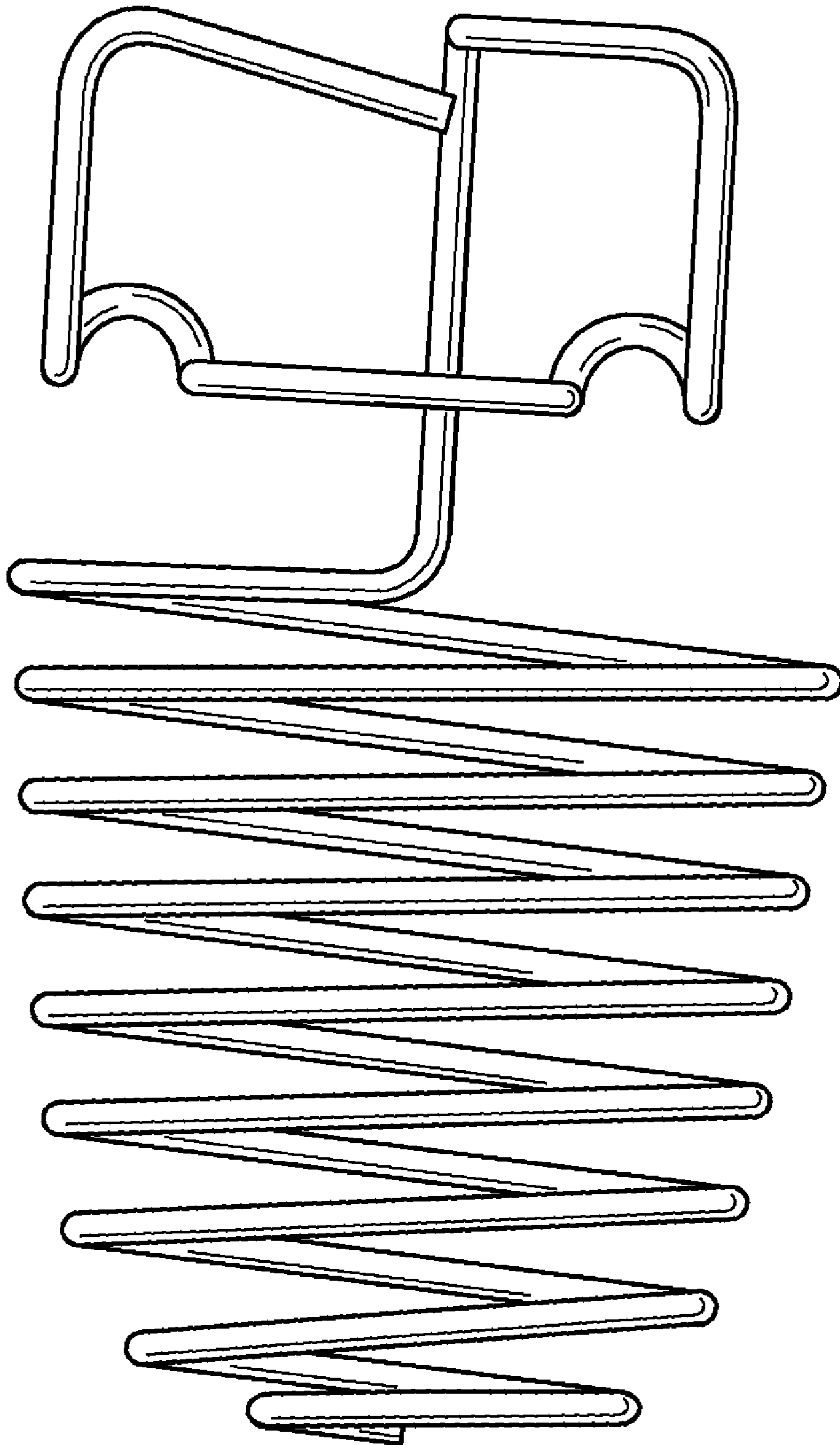


Fig. 6

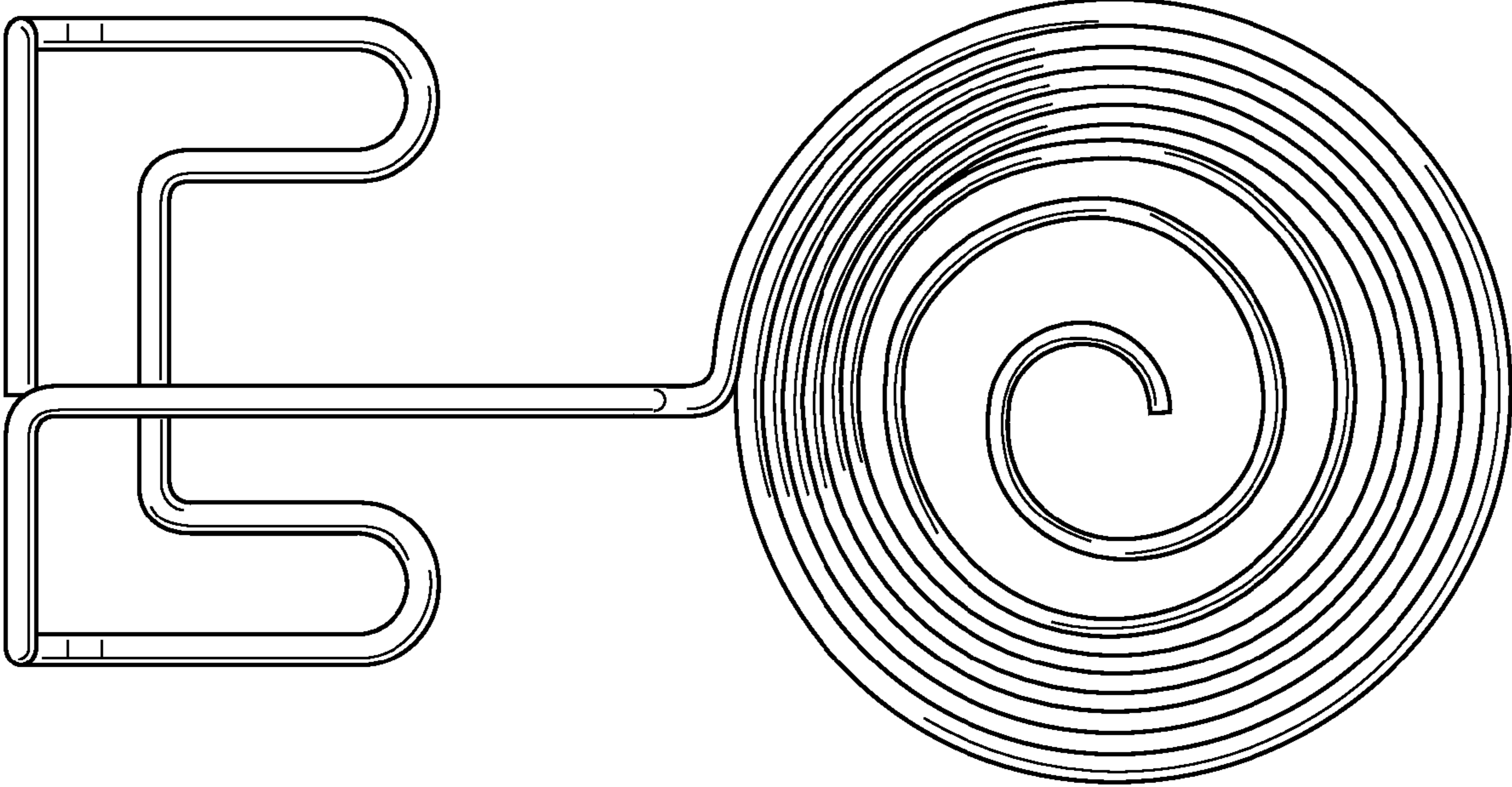


Fig. 7

