



US00D632907S

(12) **United States Design Patent**
Clark et al.

(10) **Patent No.:** **US D632,907 S**
(45) **Date of Patent:** **** Feb. 22, 2011**

- (54) **MERCHANDISER RACK**
- (75) Inventors: **Dina Clark**, York, PA (US); **Jeff Blum**, Windsor, PA (US)
- (73) Assignee: **McCormick & Company, Incorporated**, Sparks, MD (US)
- (**) Term: **14 Years**
- (21) Appl. No.: **29/305,440**
- (22) Filed: **Mar. 20, 2008**
- (51) **LOC (9) Cl.** **06-02**
- (52) **U.S. Cl.** **D6/511**
- (58) **Field of Classification Search** D6/462–463, D6/465, 472, 474, 476, 396, 510–512, 515; 211/126, 128–129, 90.01, 153, 134, 183–184
See application file for complete search history.

- 6,536,609 B2 * 3/2003 Lake 211/59.3
- D473,073 S * 4/2003 Kettering et al. D6/462
- D485,460 S * 1/2004 Bidwell et al. D6/511
- 6,964,235 B2 11/2005 Hardy
- 7,124,898 B2 10/2006 Richter et al.
- D536,659 S * 2/2007 Panasewicz et al. D12/424
- 7,182,209 B2 2/2007 Squitieri
- 7,207,447 B2 4/2007 Medcalf et al.
- D544,251 S * 6/2007 Daugherty et al. D6/463
- D585,216 S * 1/2009 Colin D6/462
- 7,690,519 B2 * 4/2010 Kahl et al. 211/59.2
- D614,896 S * 5/2010 Stifal D6/513
- D623,439 S * 9/2010 Daniel et al. D6/465
- D623,440 S * 9/2010 Daniel et al. D6/465
- 2006/0196840 A1 9/2006 Jay et al.
- 2008/0169256 A1 * 7/2008 Shetler 211/153

* cited by examiner

Primary Examiner—Elizabeth A Albert
Assistant Examiner—Kelley A Donnelly
(74) *Attorney, Agent, or Firm*—Oblon, Spivak, McClelland, Maier & Neustadt, L.L.P.

(56) **References Cited**

U.S. PATENT DOCUMENTS

- 1,746,137 A 2/1930 Winter
- 2,057,617 A 10/1936 Keith
- 3,704,792 A 12/1972 Wiese
- D253,213 S * 10/1979 Hudik et al. D6/474
- D297,082 S 8/1988 Binder et al.
- 4,923,070 A 5/1990 Jackle et al.
- 4,925,038 A 5/1990 Gajewski
- D317,094 S * 5/1991 Weinberg et al. D6/463
- 5,097,962 A 3/1992 Eklof et al.
- 5,749,478 A 5/1998 Ellis
- D395,769 S * 7/1998 Reeves D6/463
- 6,068,139 A 5/2000 Brozak, Jr.
- 6,173,845 B1 1/2001 Higgins et al.
- 6,227,386 B1 5/2001 Close
- D446,968 S * 8/2001 Spencer D6/462
- D465,349 S * 11/2002 Sharpton, III D6/405

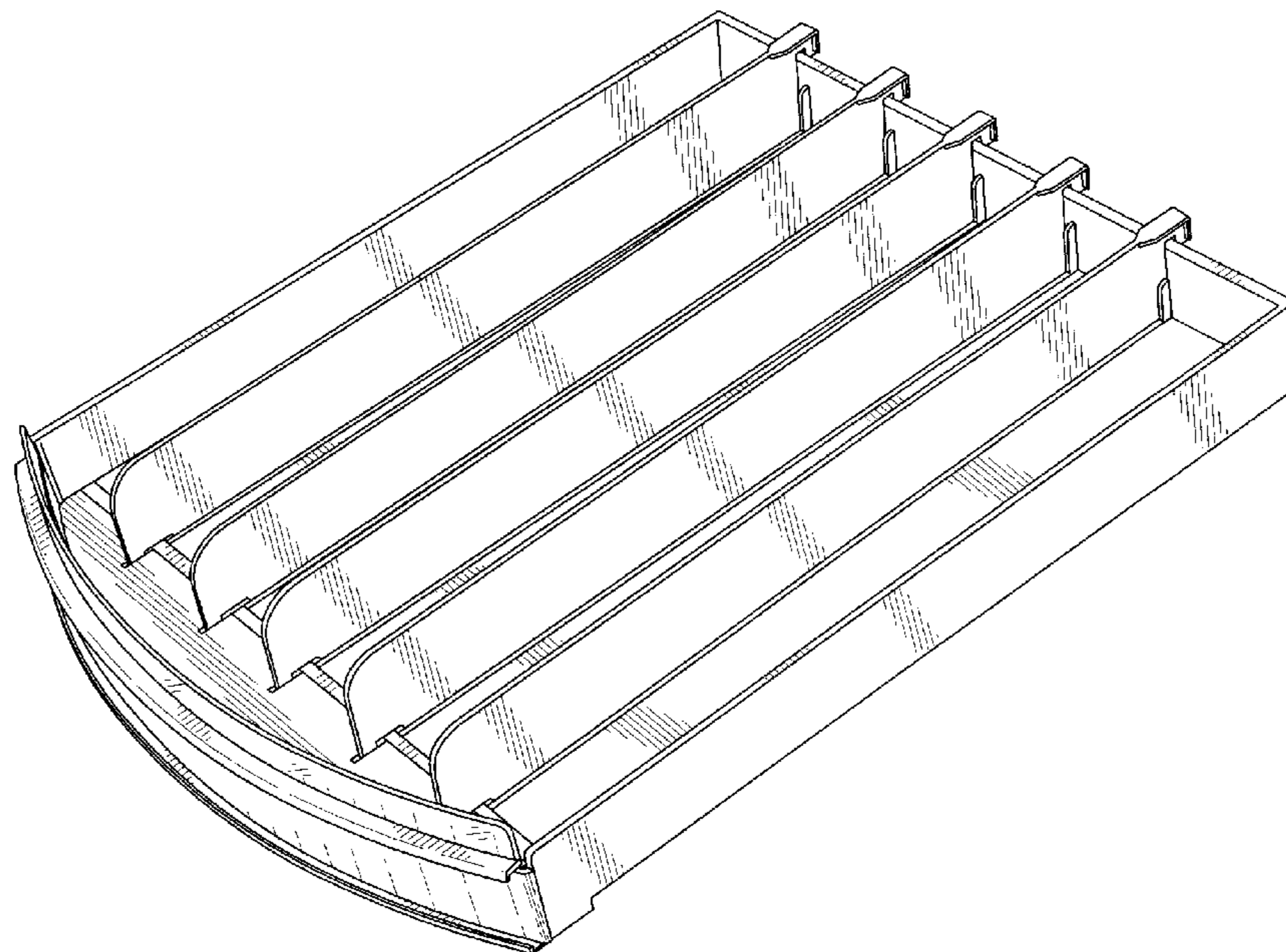
(57) **CLAIM**

The ornamental design for a merchandiser rack, as shown and described.

DESCRIPTION

FIG. 1 is a top and right front perspective view of the merchandiser rack;
FIG. 2 is a front elevational view thereof;
FIG. 3 is a right side elevational view thereof, the left side elevational view being a mirror image;
FIG. 4 is a top plan view thereof; and,
FIG. 5 is a rear elevational view thereof.

1 Claim, 4 Drawing Sheets



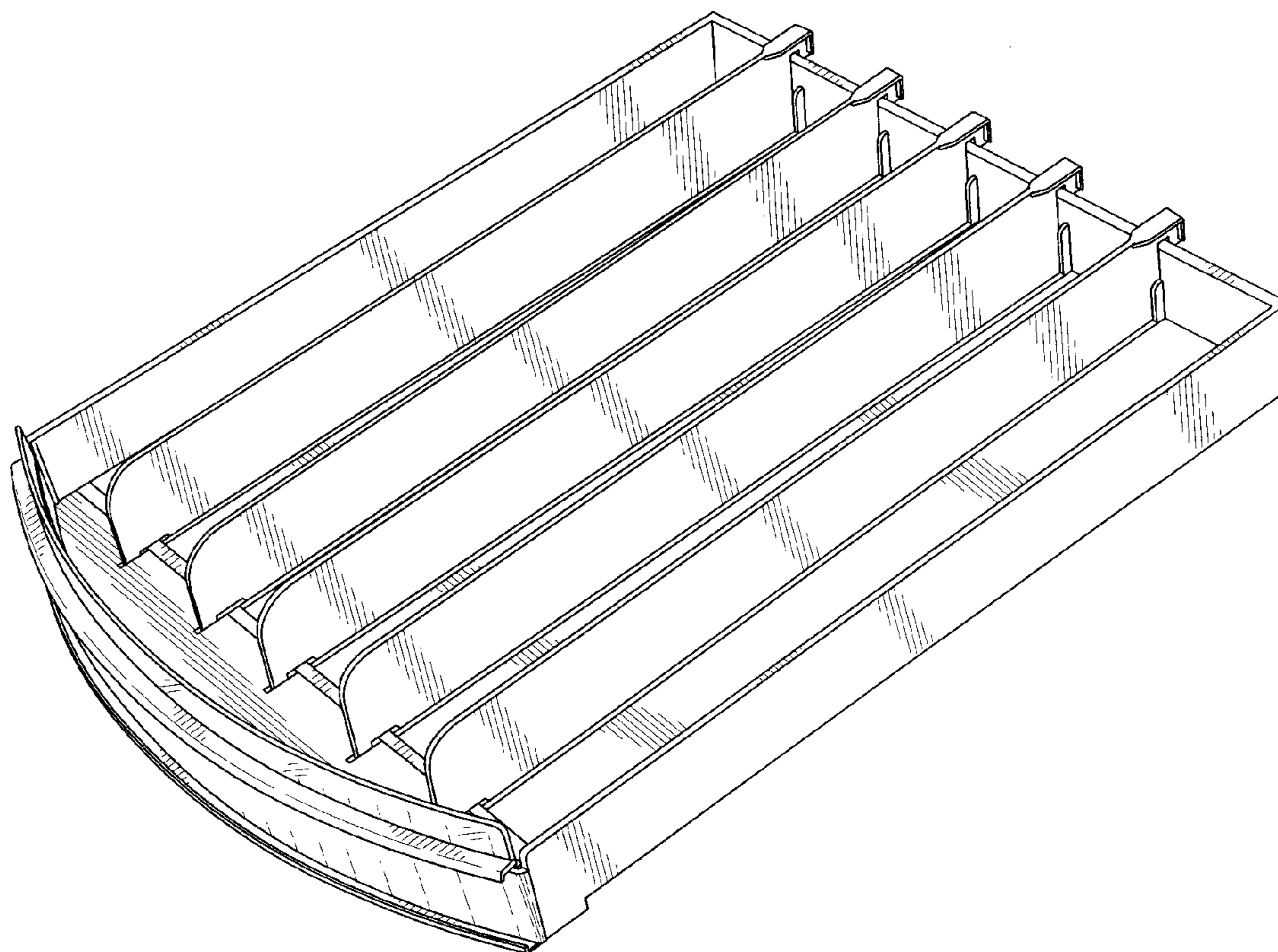


Fig. 1

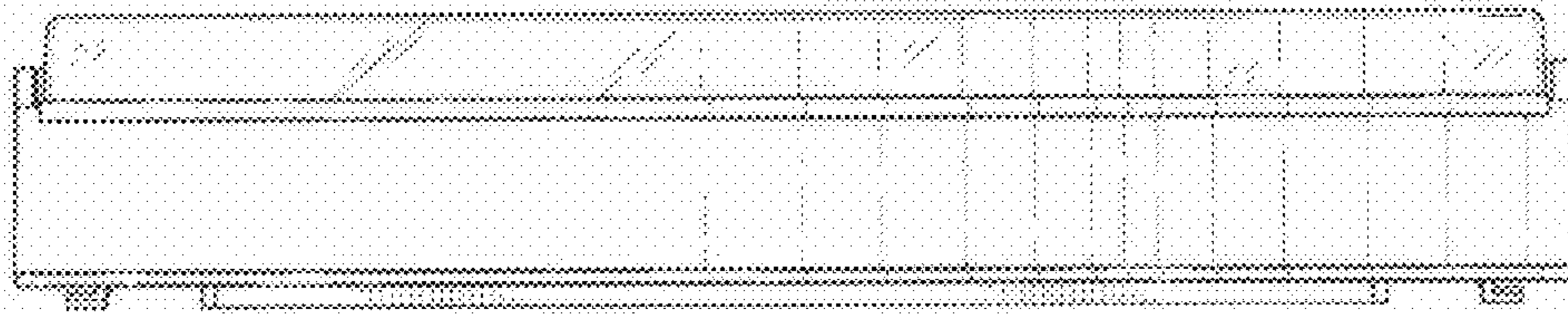


Fig. 2

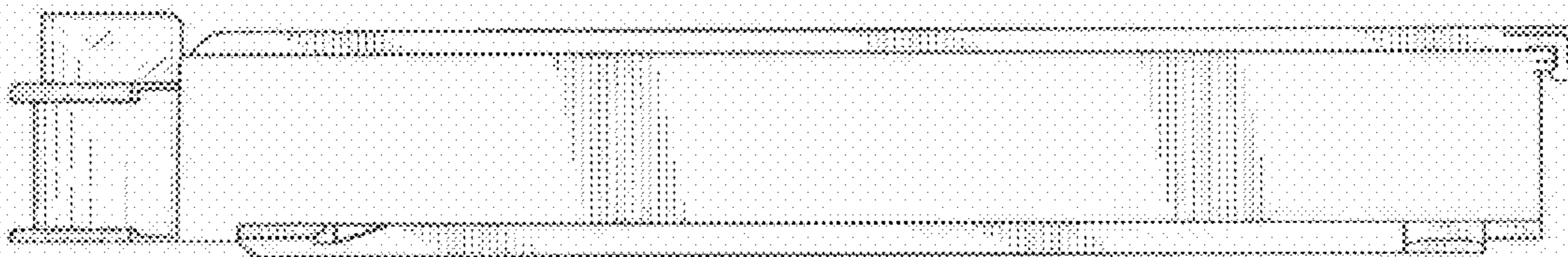


Fig. 3

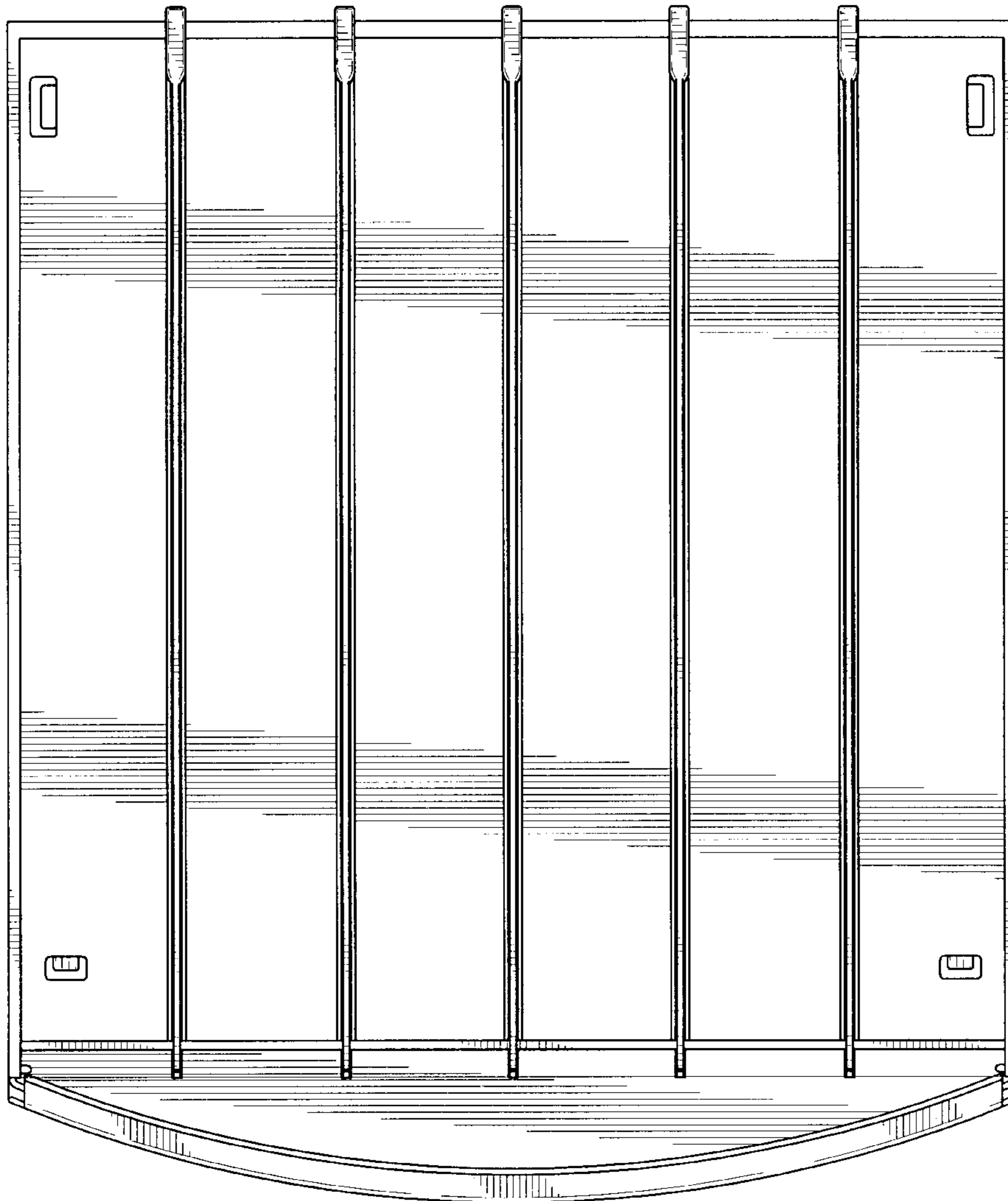


Fig. 4

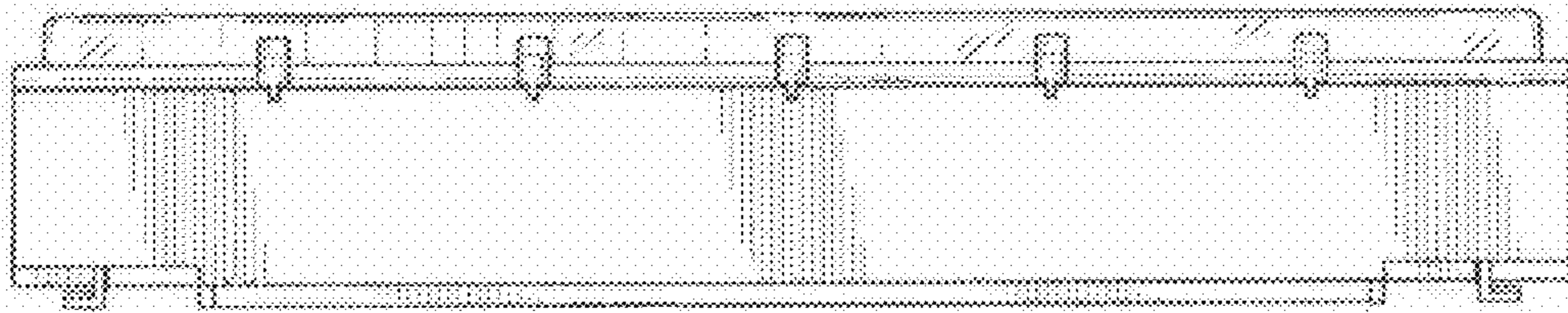


Fig. 5