

US00D632901S

(12) **United States Design Patent**  
**Christoffel**

(10) **Patent No.:** **US D632,901 S**

(45) **Date of Patent:** **\*\* Feb. 22, 2011**

(54) **HEADBOARD HOLSTER**

(76) **Inventor:** **Brett Michael Christoffel**, P.O. Box  
1003, Whitewright, TX (US) 75491

(\*\*) **Term:** **14 Years**

(21) **Appl. No.:** **29/364,020**

(22) **Filed:** **Jun. 17, 2010**

(51) **LOC (9) Cl.** ..... **06-04**

(52) **U.S. Cl.** ..... **D6/466**

(58) **Field of Classification Search** ..... D6/396,  
D6/499, 450, 453-469, 471, 473, 474, 477,  
D6/479, 509, 606, 607; 211/1, 13.1, 26.1,  
211/42, 43, 49.4, 50, 52, 53, 55, 58, 60.1,  
211/64, 85.2, 85.8, 85.7, 189, 703; D3/222,  
D3/304; 5/503.1, 504.1, 505.1, 658; 224/198;  
248/95, 201, 205.1; 294/82.17

See application file for complete search history.

(56) **References Cited**

**U.S. PATENT DOCUMENTS**

202,959 A \* 4/1878 Pearson ..... 211/43  
2,557,674 A \* 6/1951 McRae ..... 248/95  
4,483,501 A \* 11/1984 Eddy ..... 248/205.1

4,521,930 A \* 6/1985 Henson ..... 5/658  
5,605,235 A \* 2/1997 Johnson ..... 211/26.1  
5,732,914 A \* 3/1998 Flinn ..... 248/201  
7,584,861 B2 \* 9/2009 Werner ..... 211/64  
2007/0251901 A1 \* 11/2007 Werner ..... 211/64

\* cited by examiner

*Primary Examiner*—Mary Ann Calabrese  
(74) *Attorney, Agent, or Firm*—Sinorica, LLC

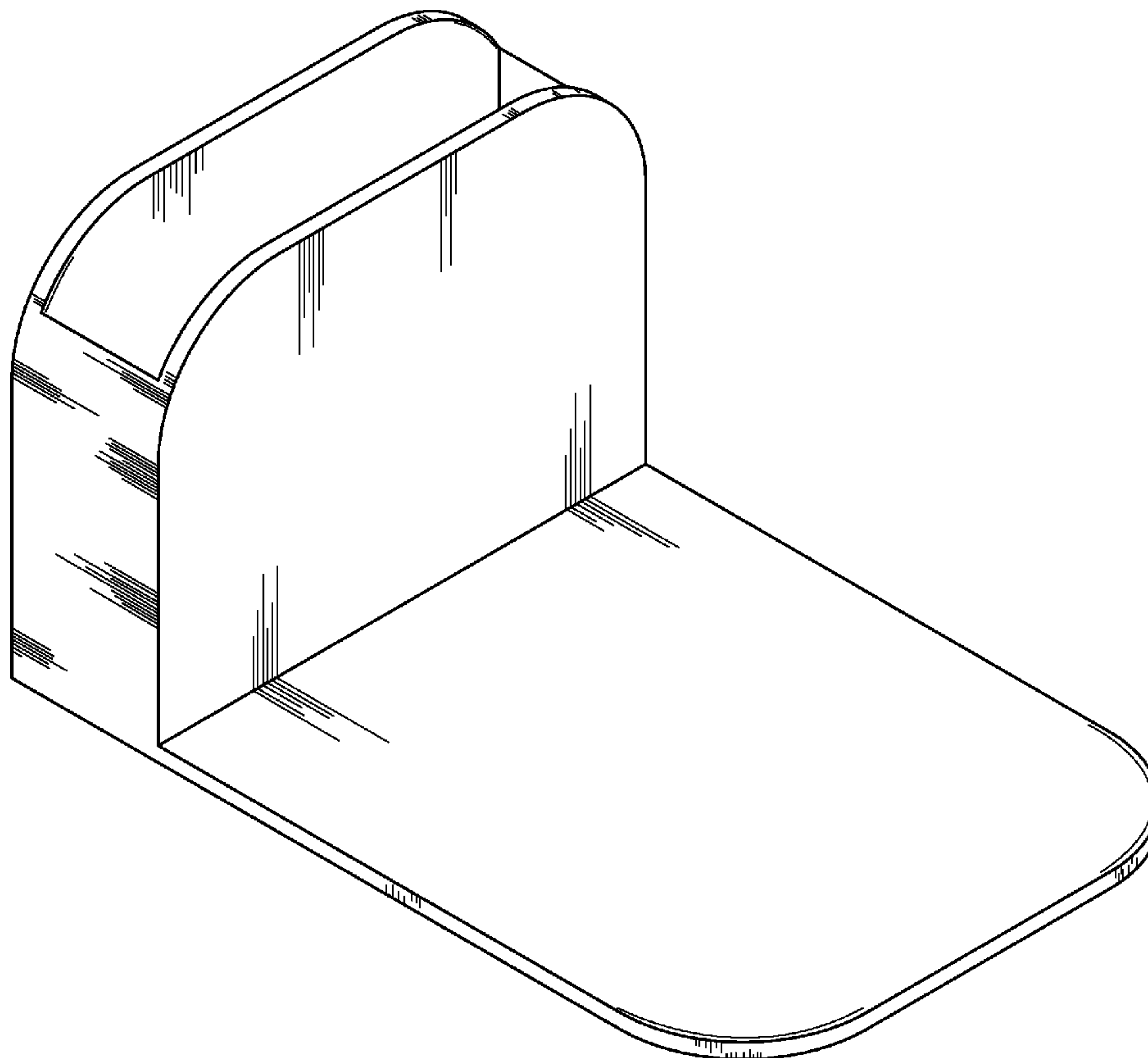
(57) **CLAIM**

The ornamental design for a headboard holster, as shown and described.

**DESCRIPTION**

FIG. 1 is a perspective view of a headboard holster;  
FIG. 2 is a front elevational view thereof;  
FIG. 3 is a rear elevational view thereof;  
FIG. 4 is a top plan view thereof;  
FIG. 5 is a bottom plan view thereof;  
FIG. 6 is a left-side elevational view thereof; and,  
FIG. 7 is a right-side elevational view thereof.

**1 Claim, 7 Drawing Sheets**



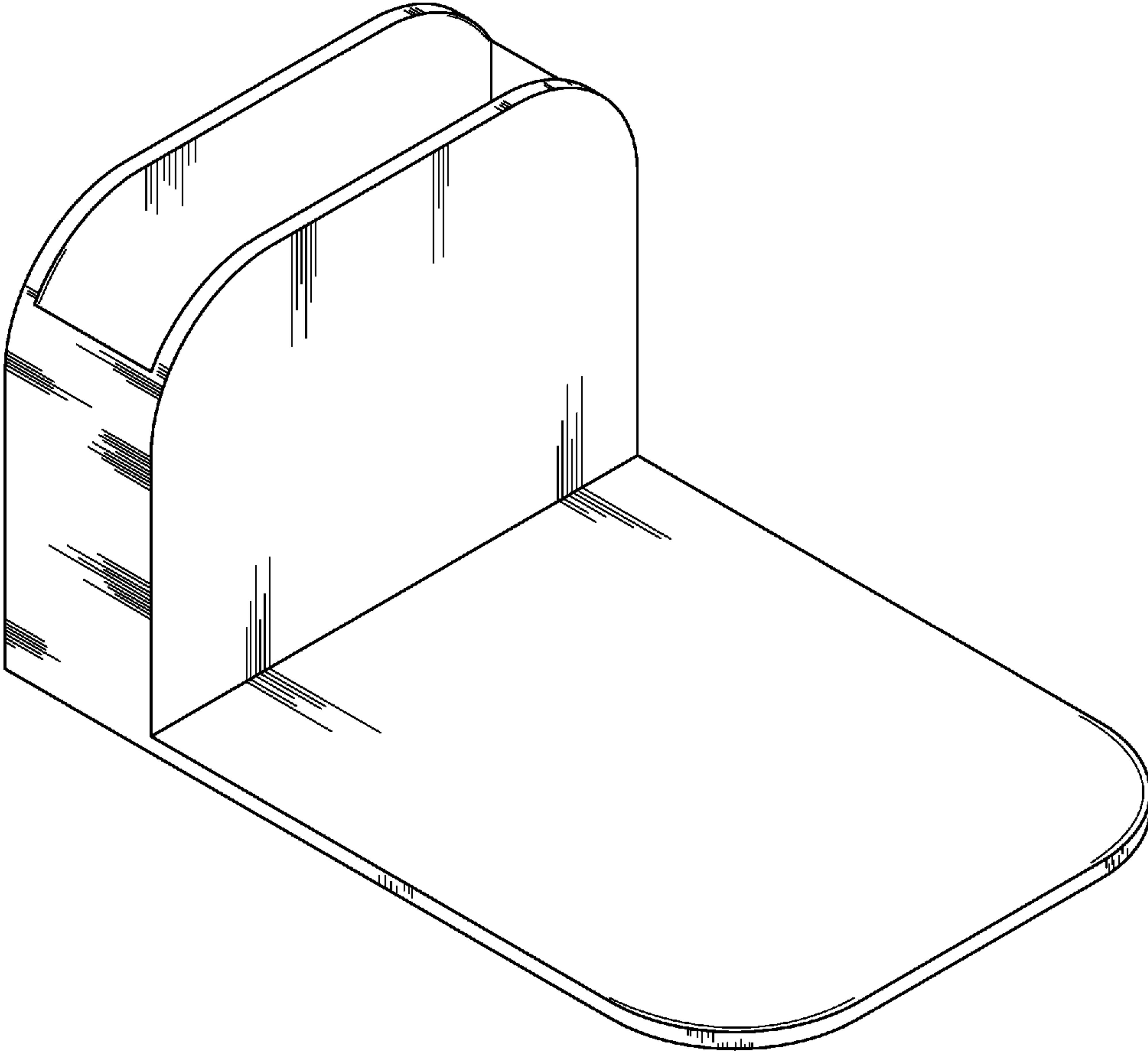


FIG. 1

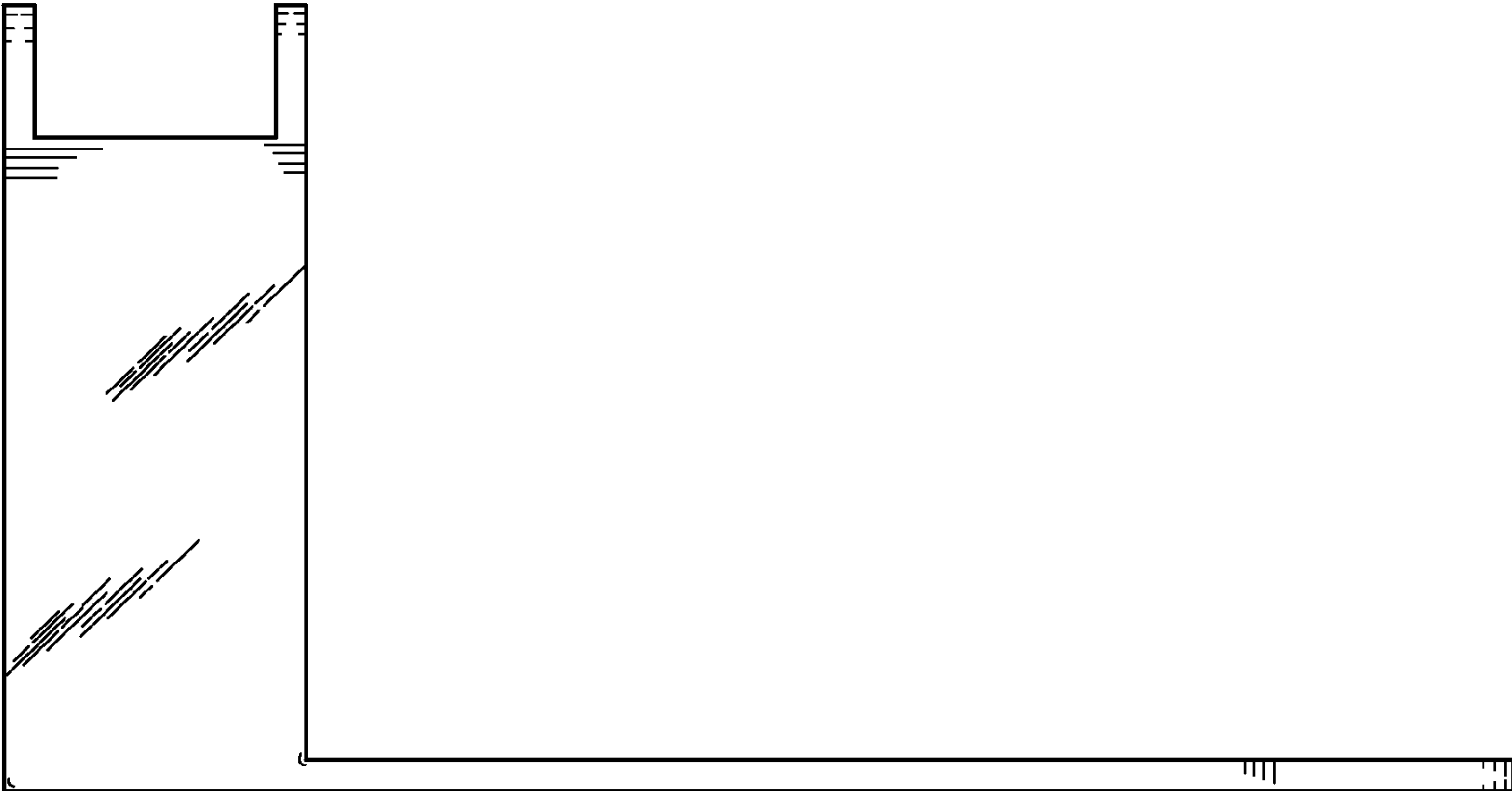


FIG. 2



FIG. 3

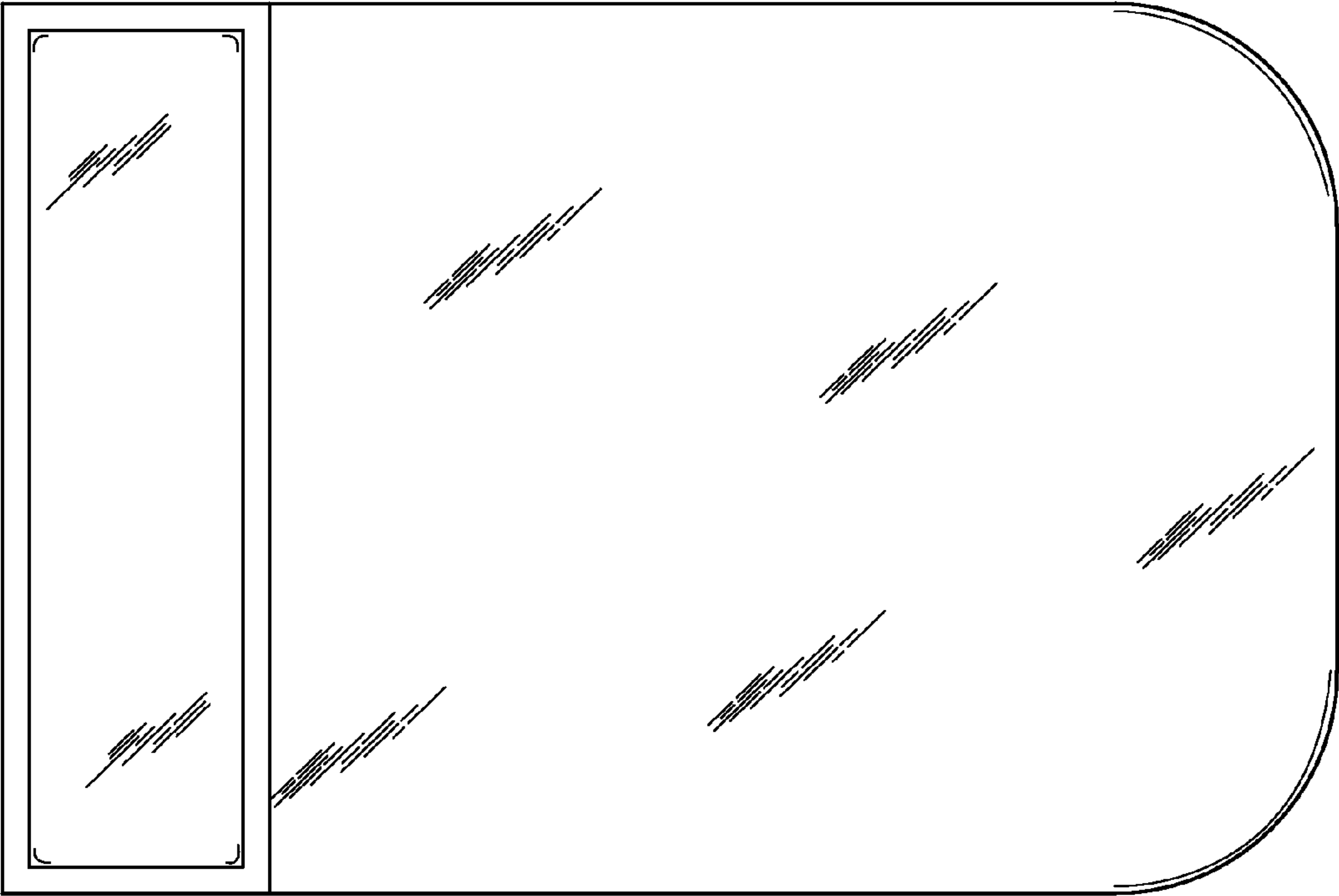


FIG. 4

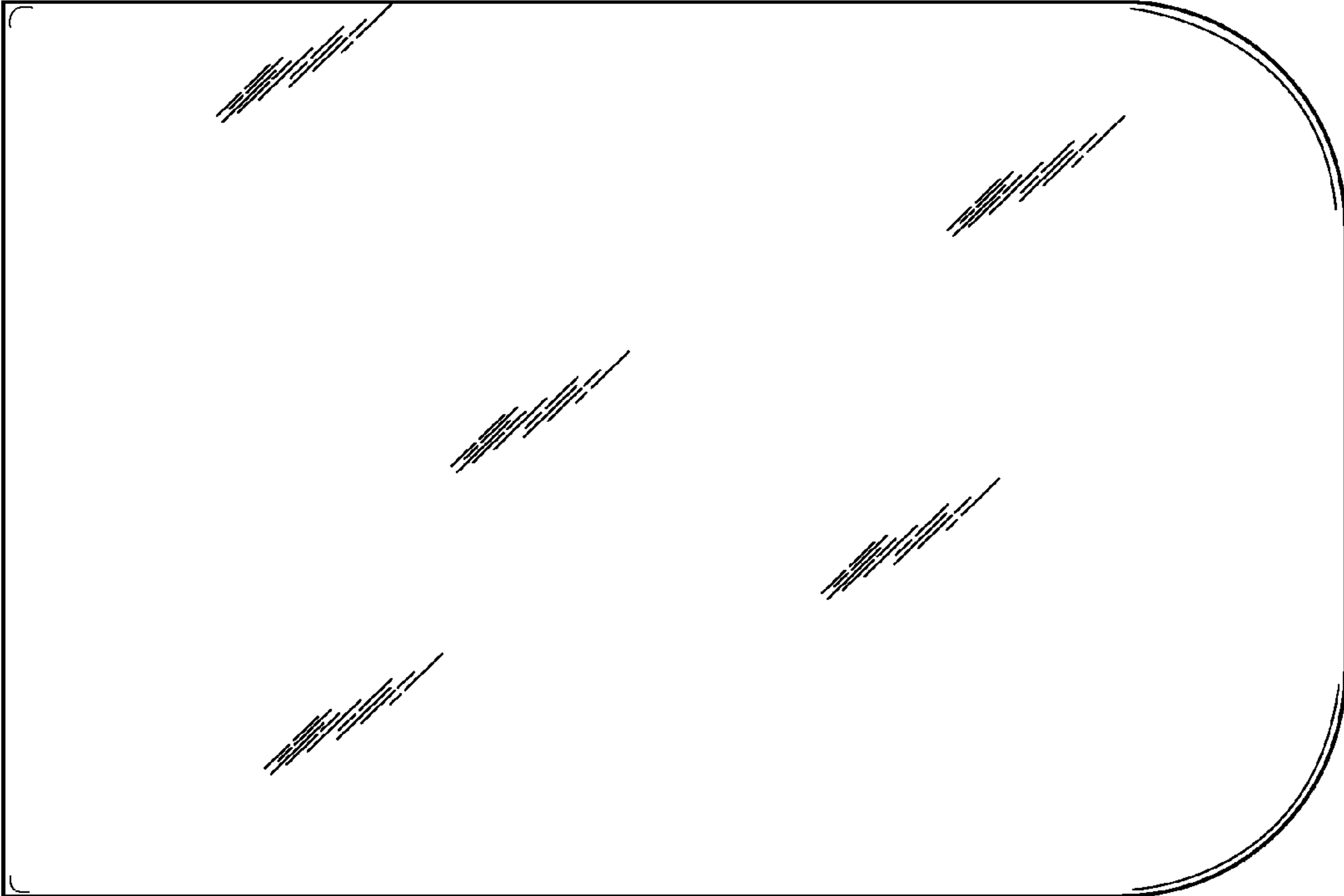


FIG. 5

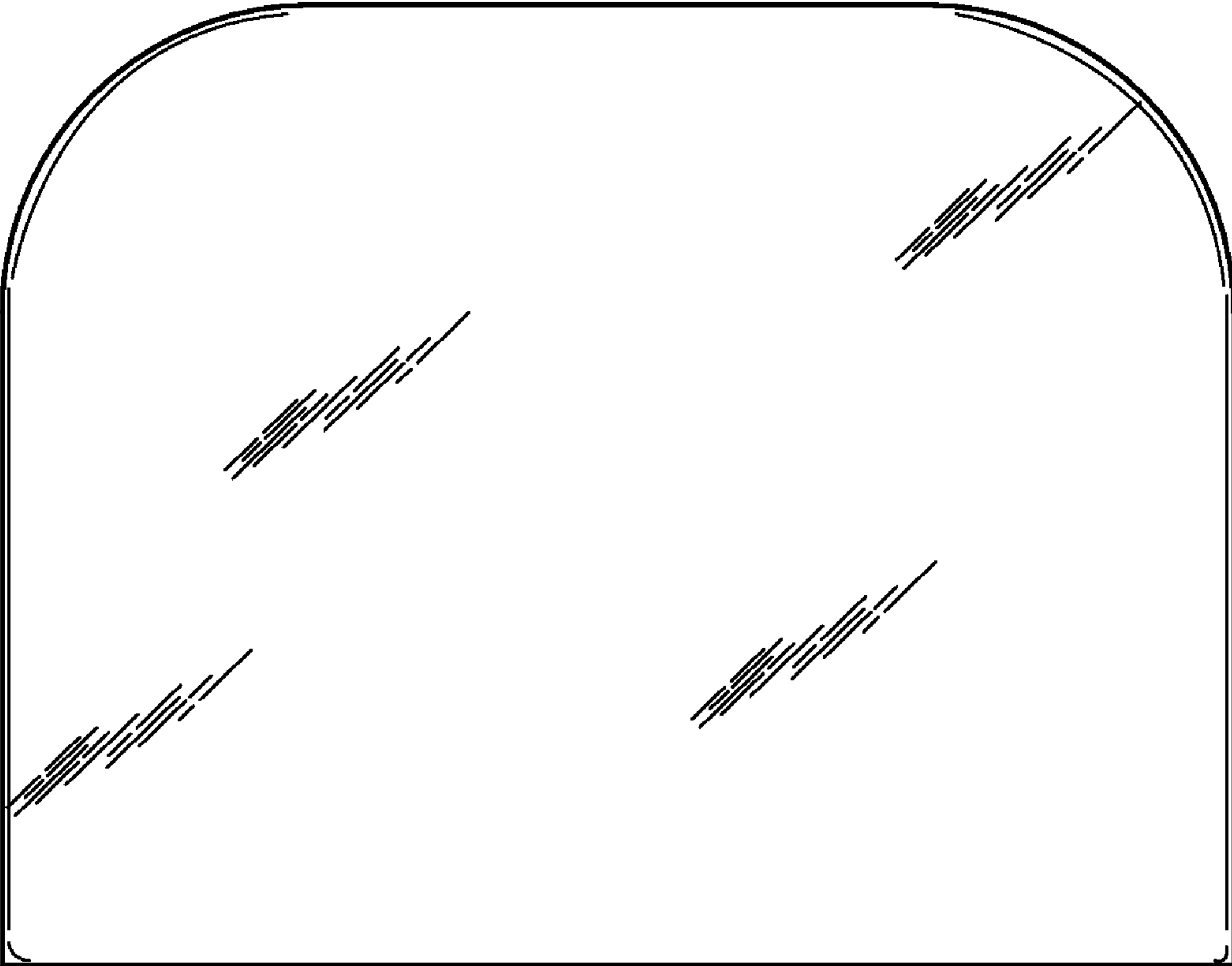


FIG. 6

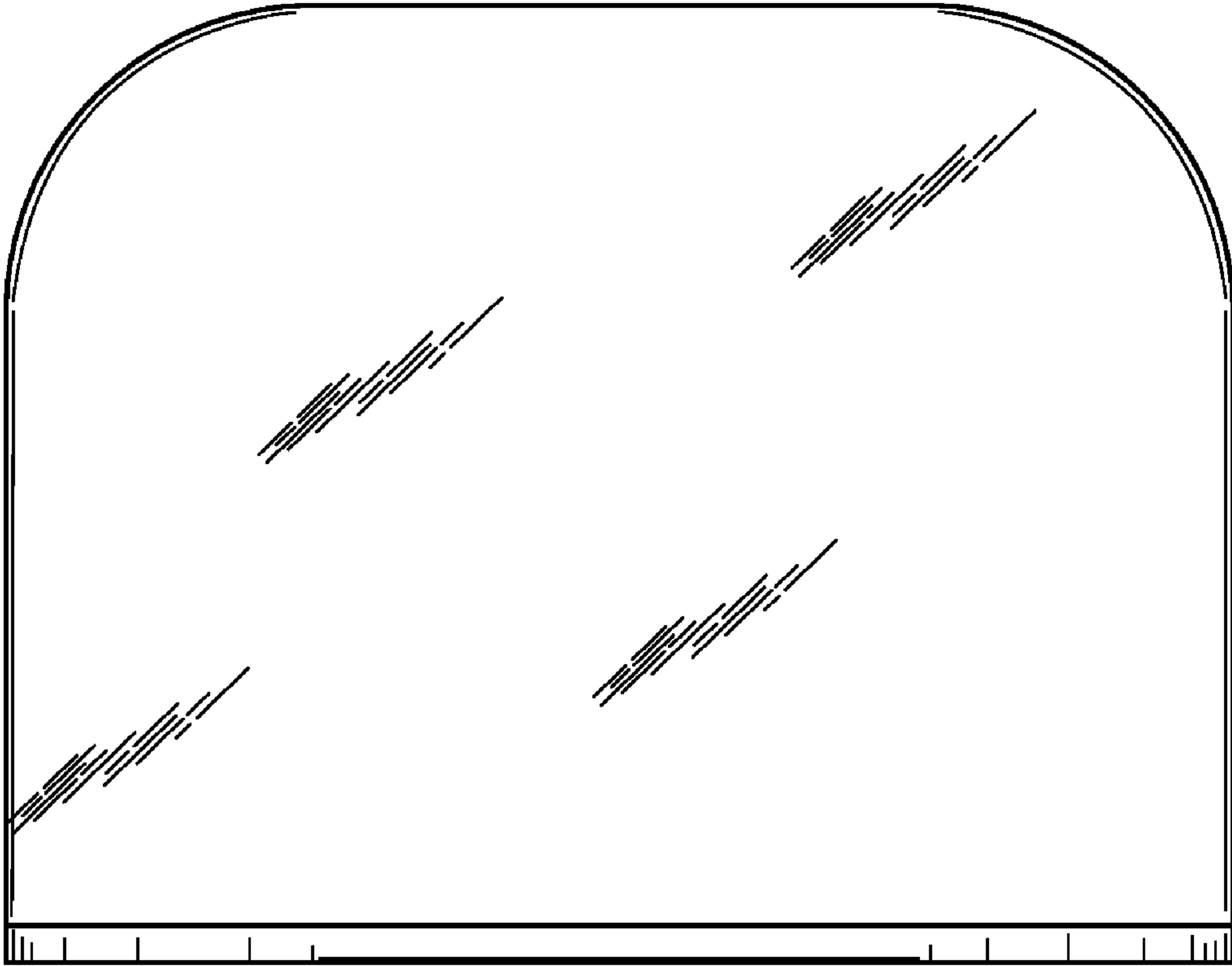


FIG. 7