



US00D632898S

(12) **United States Design Patent**  
**Heroux**

(10) **Patent No.:** **US D632,898 S**

(45) **Date of Patent:** **\*\* Feb. 22, 2011**

(54) **OVER THE DOOR HANGER**

(75) Inventor: **Steve Heroux**, South Burlington, VT  
(US)

(73) Assignee: **HIP Innovations, LLC**, Williston, VT  
(US)

(\*\*) Term: **14 Years**

(21) Appl. No.: **29/370,401**

(22) Filed: **Jul. 12, 2010**

(51) **LOC (9) Cl.** ..... **06-08**

(52) **U.S. Cl.** ..... **D6/327**

(58) **Field of Classification Search** ..... D6/315,  
D6/320, 323, 324, 325, 327, 328; 211/1,  
211/13.1, 85.3, 86.01; 223/85-98  
See application file for complete search history.

(56) **References Cited**

**U.S. PATENT DOCUMENTS**

D247,085 S \* 1/1978 Stoddard ..... D6/328  
D269,397 S \* 6/1983 Van Duyne ..... D6/567

D271,546 S \* 11/1983 Smith ..... D6/324  
D309,835 S \* 8/1990 Stone et al. .... D6/328  
D323,284 S \* 1/1992 Thompson ..... D8/363  
D503,046 S \* 3/2005 Caiazzo ..... D6/327  
D587,022 S \* 2/2009 Goodman et al. .... D6/327

\* cited by examiner

*Primary Examiner*—Shanda C Hill

(57) **CLAIM**

The ornamental design for an over the door hanger, as shown.

**DESCRIPTION**

FIG. 1 is a perspective view of the over the door hanger showing my new design;

FIG. 2 is side view thereof;

FIG. 3 is an opposite side view thereof;

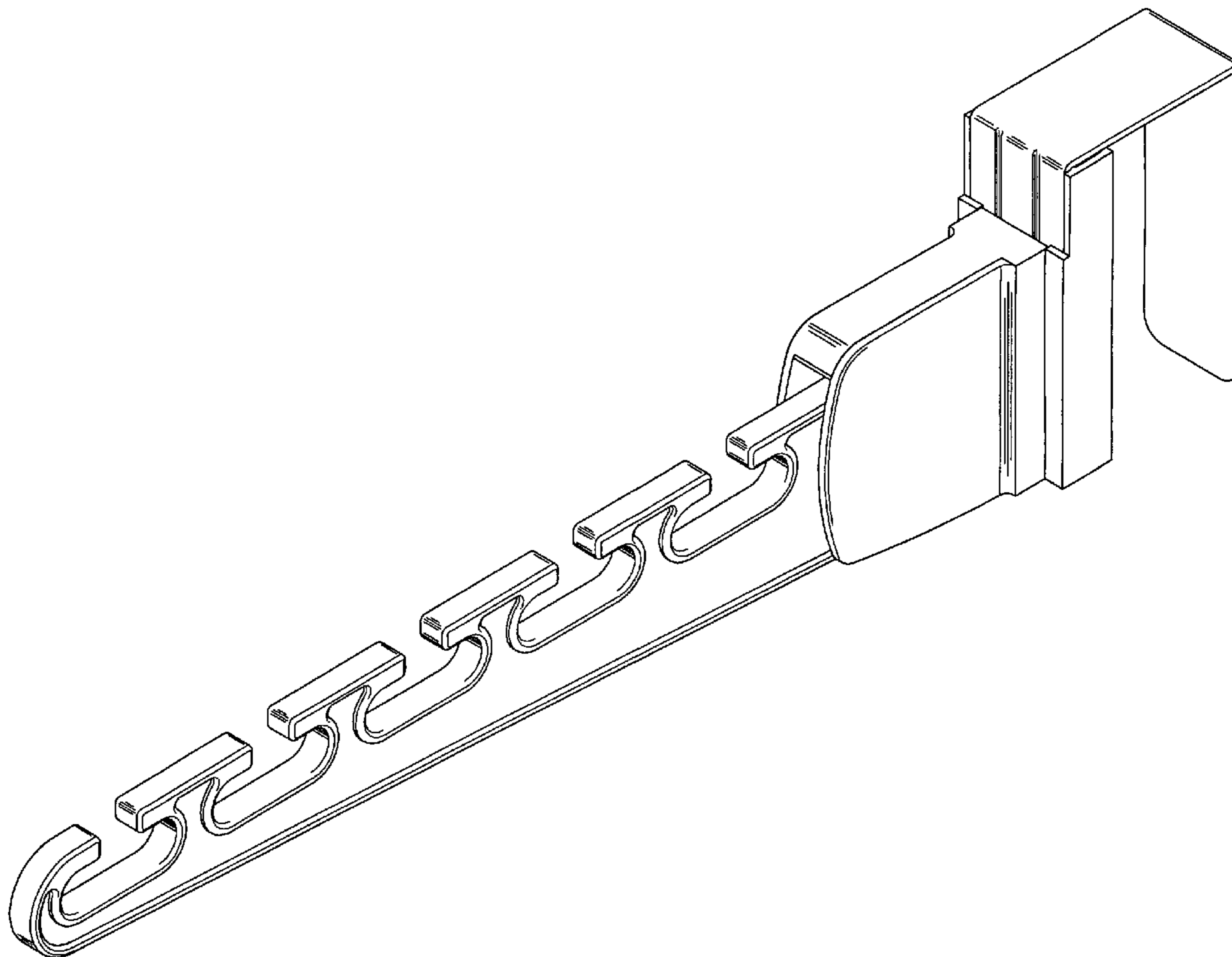
FIG. 4 is a Top view thereof;

FIG. 5 is a Bottom view thereof;

FIG. 6 is a Back view thereof; and,

FIG. 7 is a Front view thereof.

**1 Claim, 7 Drawing Sheets**



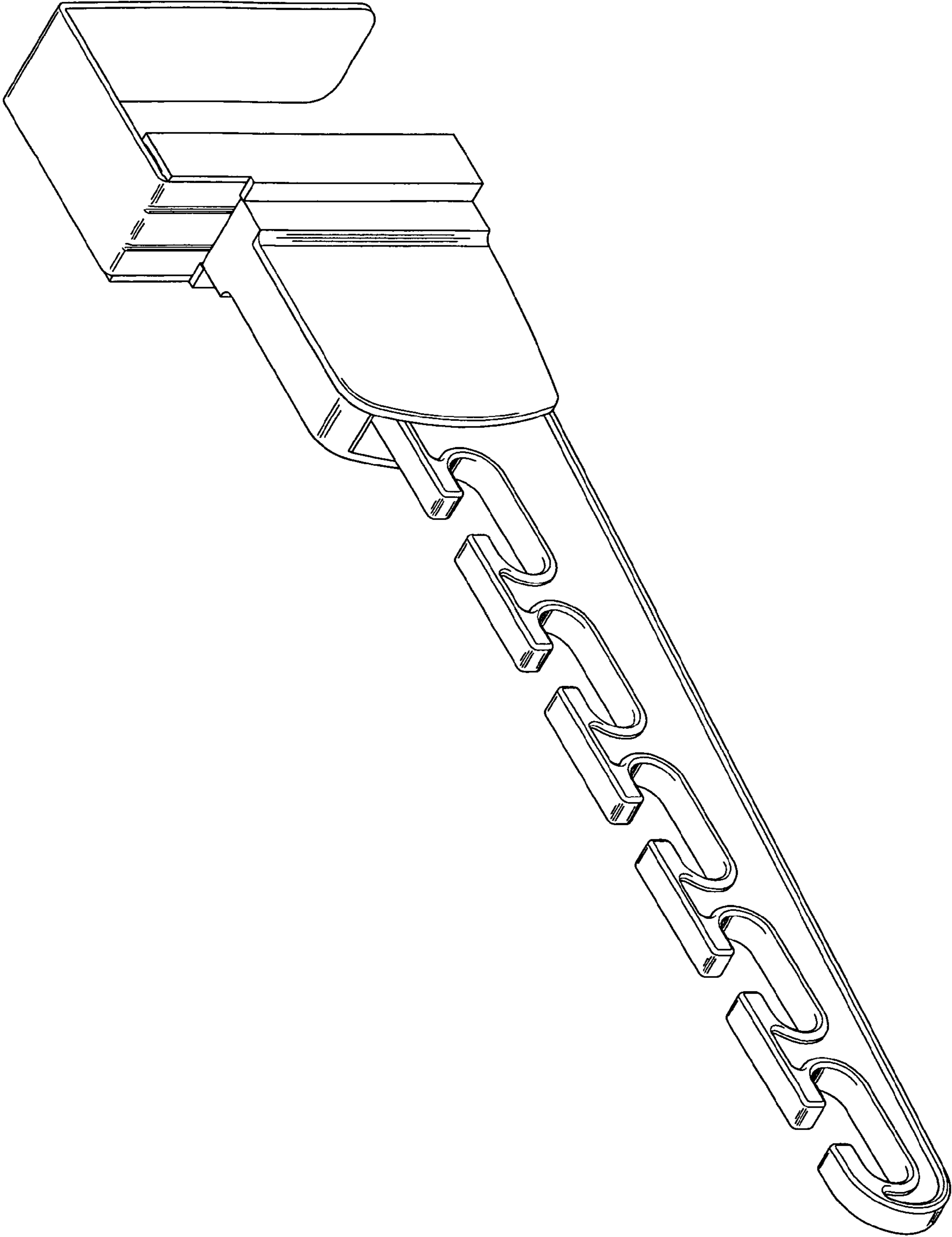


FIG. # 1

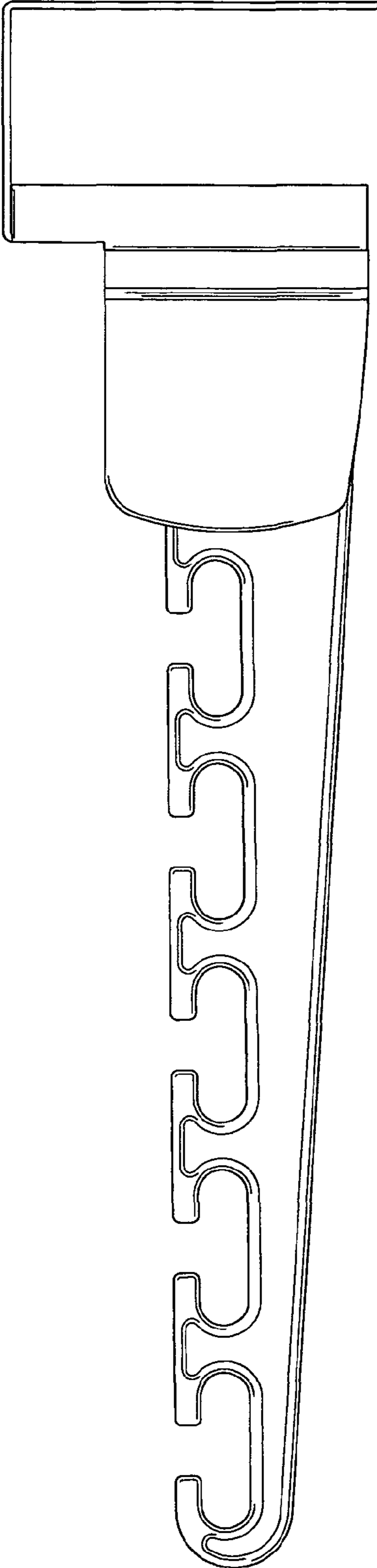


FIG. # 2

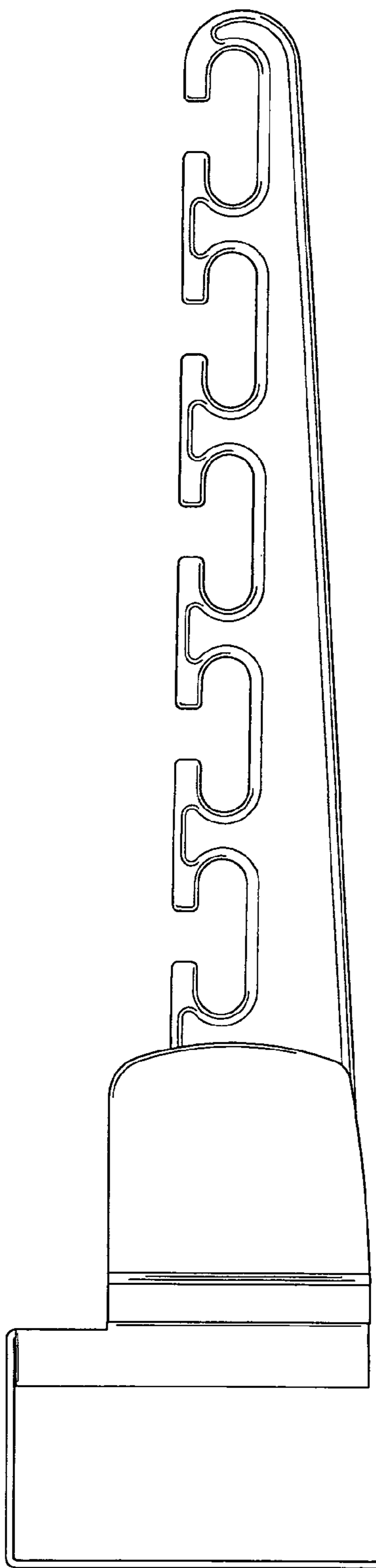


FIG. # 3

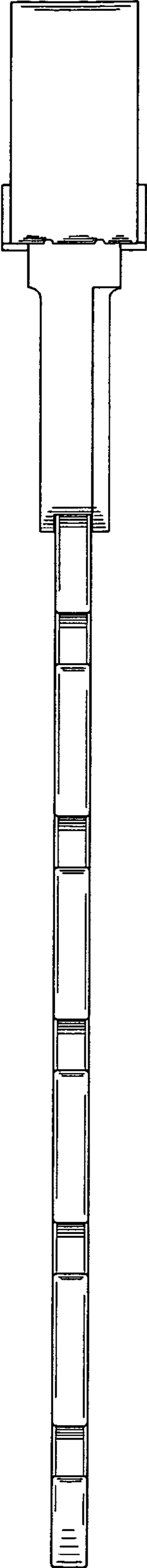


FIG. # 4

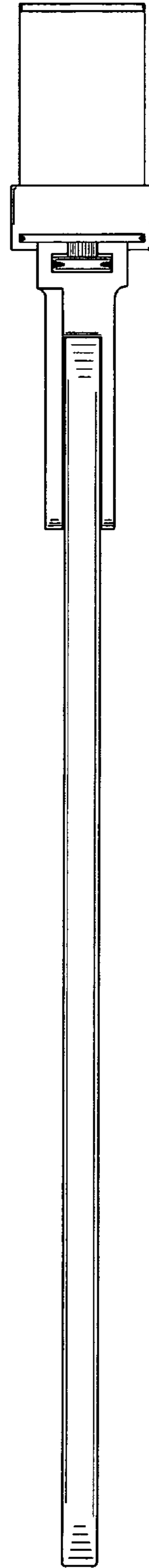


FIG. # 5



FIG. #6

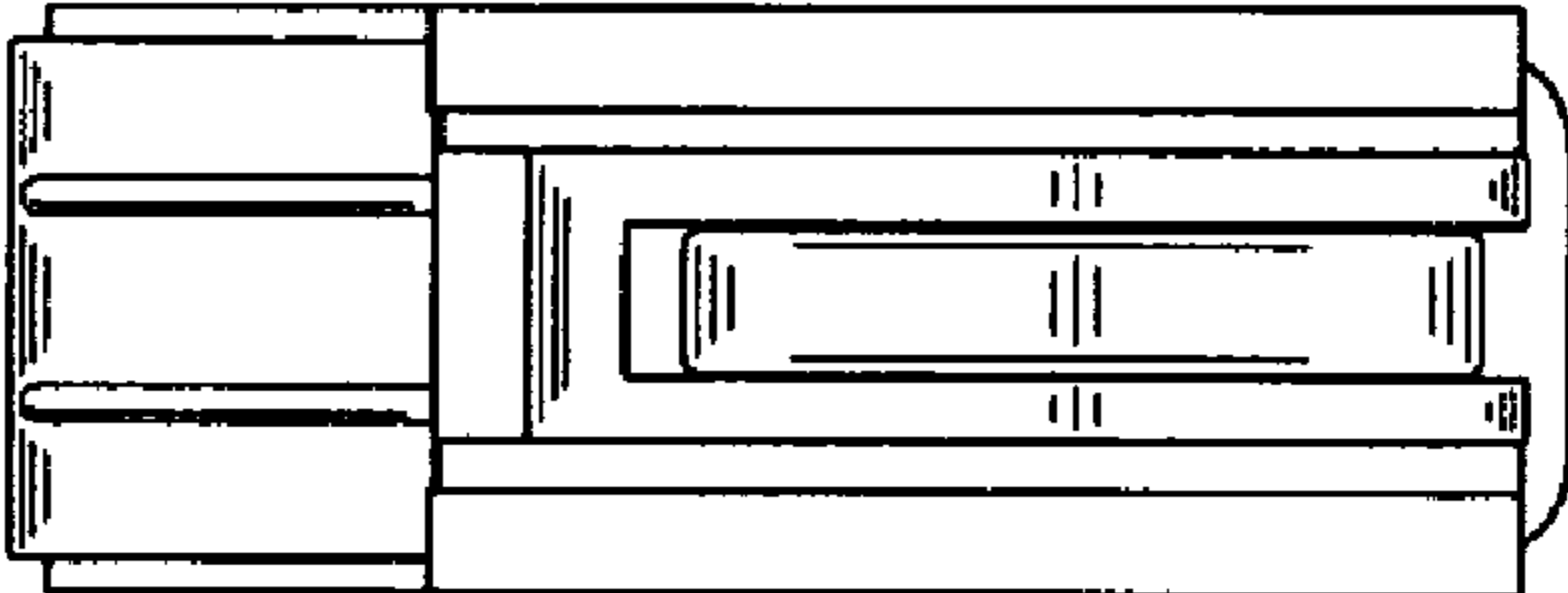


FIG. # 7