



US00D632892S

(12) **United States Design Patent**  
**Zalewski et al.**

(10) **Patent No.:** **US D632,892 S**

(45) **Date of Patent:** **\*\* Feb. 22, 2011**

(54) **STORAGE UNIT**

(75) Inventors: **Kevin Zalewski**, Rochester Hills, MI (US); **David Foster**, Farmington Hills, MI (US); **Dirk Ahlgrim**, Cambridge, MA (US); **Jared Judson**, Medford, MA (US); **Monica Kuznik**, Padova (IT); **Samuel Palmer**, Arlington, MA (US); **Gretchen Wustrack**, San Francisco, CA (US)

3,506,321 A 4/1970 Hampel  
3,563,624 A 2/1971 Stice  
D225,815 S 1/1973 Torrey  
3,743,372 A 7/1973 Ruggerone  
3,822,924 A 7/1974 Lust  
D232,812 S 9/1974 Ogle  
D238,051 S 12/1975 Fier, Jr.  
4,047,773 A 9/1977 Semany  
D246,872 S 1/1978 White  
D251,480 S 4/1979 Cherry  
D256,196 S 8/1980 Kates  
D268,622 S 4/1983 Wolters et al.

(73) Assignee: **Target Brands, Inc.**, Minneapolis, MN (US)

(Continued)

(\*\*) Term: **14 Years**

*Primary Examiner*—Robert M Spear

*Assistant Examiner*—Barbara B Lohr

(74) *Attorney, Agent, or Firm*—Griffiths & Seaton PLLC

(21) Appl. No.: **29/368,567**

(22) Filed: **Aug. 25, 2010**

(57)

**CLAIM**

**Related U.S. Application Data**

The ornamental design for a storage unit, as shown and described.

(62) Division of application No. 29/333,915, filed on Mar. 17, 2009, now Pat. No. Des. 622,959.

**DESCRIPTION**

(51) **LOC (9) Cl.** ..... **03-01**

(52) **U.S. Cl.** ..... **D3/273**

(58) **Field of Classification Search** ..... D3/272, D3/273, 283, 302, 304–315, 319, 320, 335, D3/336, 396; D6/397, 449, 475, 476, 510; D9/414, 418, 499, 432, 433; D19/90; 206/515, 206/527, 784, 815; 220/9.1, 9.3, 62, 475, 220/639, 641, 646, 647, 890, 913; 229/100, 229/117.01, 117.07, 120, 120.1

The present application also is related to pending U.S. Utility patent application Ser. No. 11/851,165, filed Sep. 6, 2007; pending U.S. Utility application Ser. No. 12/554,028, filed Sep. 4, 2009; and pending U.S. Utility application Ser. No. 12/554,034, filed Sep. 4, 2009; all of which are incorporated by reference.

See application file for complete search history.

FIG. 1 is a perspective view of a storage unit, according to the invention;

FIG. 2 is a front view thereof;

FIG. 3 is a back view thereof;

FIG. 4 is a top view thereof;

FIG. 5 is a bottom view thereof;

FIG. 6 is a right view thereof; and,

FIG. 7 is a left side view thereof.

The broken lines in the drawings represent unclaimed environmental matter.

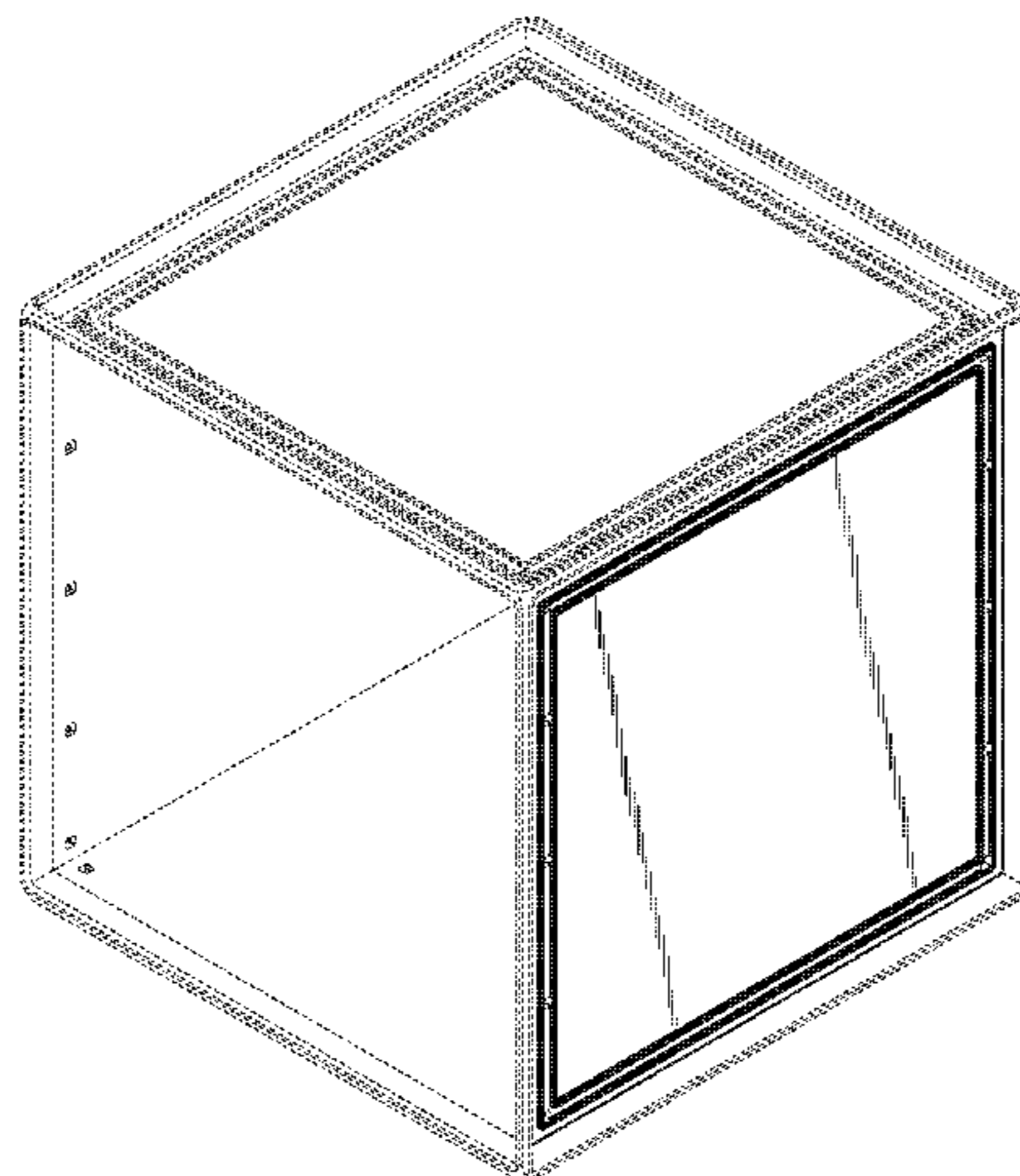
(56)

**References Cited**

**U.S. PATENT DOCUMENTS**

1,076,116 A 10/1913 Hatfield  
1,694,487 A 12/1928 Ringer  
1,799,831 A 4/1931 Pauls  
D158,479 S 5/1950 Long  
D197,311 S 1/1964 Spaak  
3,254,440 A 6/1966 Duggar

**1 Claim, 7 Drawing Sheets**



# US D632,892 S

Page 2

## U.S. PATENT DOCUMENTS

4,707,038	A	11/1987	Voegeli	D421,678	S	3/2000	Levy	
4,717,214	A	1/1988	Moore et al.	D427,769	S	7/2000	Zimmerman	
4,742,931	A	5/1988	Bennett	6,113,203	A	9/2000	Chen	
4,782,637	A	11/1988	Eriksson et al.	D431,907	S	10/2000	Andujar et al.	
4,863,222	A	9/1989	Posso	D437,706	S	* 2/2001	Alcala et al. ....	D6/397
D323,296	S	1/1992	Schoenthaler	6,209,976	B1	4/2001	Shear	
D326,345	S	5/1992	Mandell et al.	D454,454	S	* 3/2002	Hamilton et al. ....	D6/510
5,119,610	A	6/1992	Birkeland et al.	6,352,323	B1	3/2002	Rives	
5,147,120	A	9/1992	Ray	D455,292	S	* 4/2002	Hardy et al. ....	D6/449
D330,161	S	10/1992	Schuh	6,488,346	B2	12/2002	Chen	
5,176,435	A	1/1993	Pipkens	6,508,021	B2	1/2003	Ong	
D349,646	S	8/1994	Dickinson	6,536,856	B2	3/2003	Pelizzari et al.	
5,357,728	A	10/1994	Duncanson	6,557,955	B2	5/2003	Saravis	
D360,898	S	8/1995	Huerto et al.	6,698,853	B2	3/2004	Chen et al.	
D361,203	S	* 8/1995	Regnier ..... D3/273	D495,248	S	8/2004	Krebs et al.	
5,464,295	A	11/1995	Dailiot	6,820,950	B1	11/2004	Sun	
5,466,058	A	11/1995	Chan	6,848,758	B1	2/2005	Yeh et al.	
5,477,594	A	12/1995	LePage	6,938,966	B1	9/2005	Rouwhorst	
5,486,041	A	1/1996	Sykes	6,942,306	B2	9/2005	Youngs et al.	
5,492,399	A	2/1996	Tillack	RE38,836	E	10/2005	Krause et al.	
5,497,888	A	3/1996	Michaels et al.	6,962,262	B2	11/2005	Toma	
D376,259	S	12/1996	Dickinson et al.	6,971,529	B1	12/2005	Shapiro	
5,584,412	A	12/1996	Wang	6,991,115	B2	1/2006	Chow et al.	
5,588,726	A	12/1996	Lee	7,048,346	B2	5/2006	Saravis	
5,647,649	A	7/1997	Kao	D540,039	S	4/2007	van Beuningen	
5,680,744	A	10/1997	Kramedjian et al.	7,231,740	B2	6/2007	Jirele	
D387,559	S	12/1997	Williamson	7,507,136	B2	3/2009	Patton	
5,716,116	A	2/1998	Carlson et al.	D594,657	S	* 6/2009	McAlpine ..... D3/273	
5,720,547	A	2/1998	Baird	7,588,162	B2	9/2009	Dube et al.	
5,775,046	A	7/1998	Fanger et al.	D622,959	S	* 9/2010	Zalewski et al. ....	D3/273
D404,571	S	1/1999	Evans	2002/0093272	A1	7/2002	Saravis	
5,902,025	A	5/1999	Yu	2005/0088068	A1	4/2005	Chang	
5,913,580	A	6/1999	Liu	2005/0168116	A1	8/2005	Chuang	
5,921,646	A	7/1999	Hwang	2006/0244348	A1	11/2006	Richied et al.	
5,941,616	A	8/1999	Billingham	2008/0011697	A1	1/2008	Berg	
6,024,626	A	2/2000	Mendelsohn	2008/0017596	A1	1/2008	Brock	

\* cited by examiner

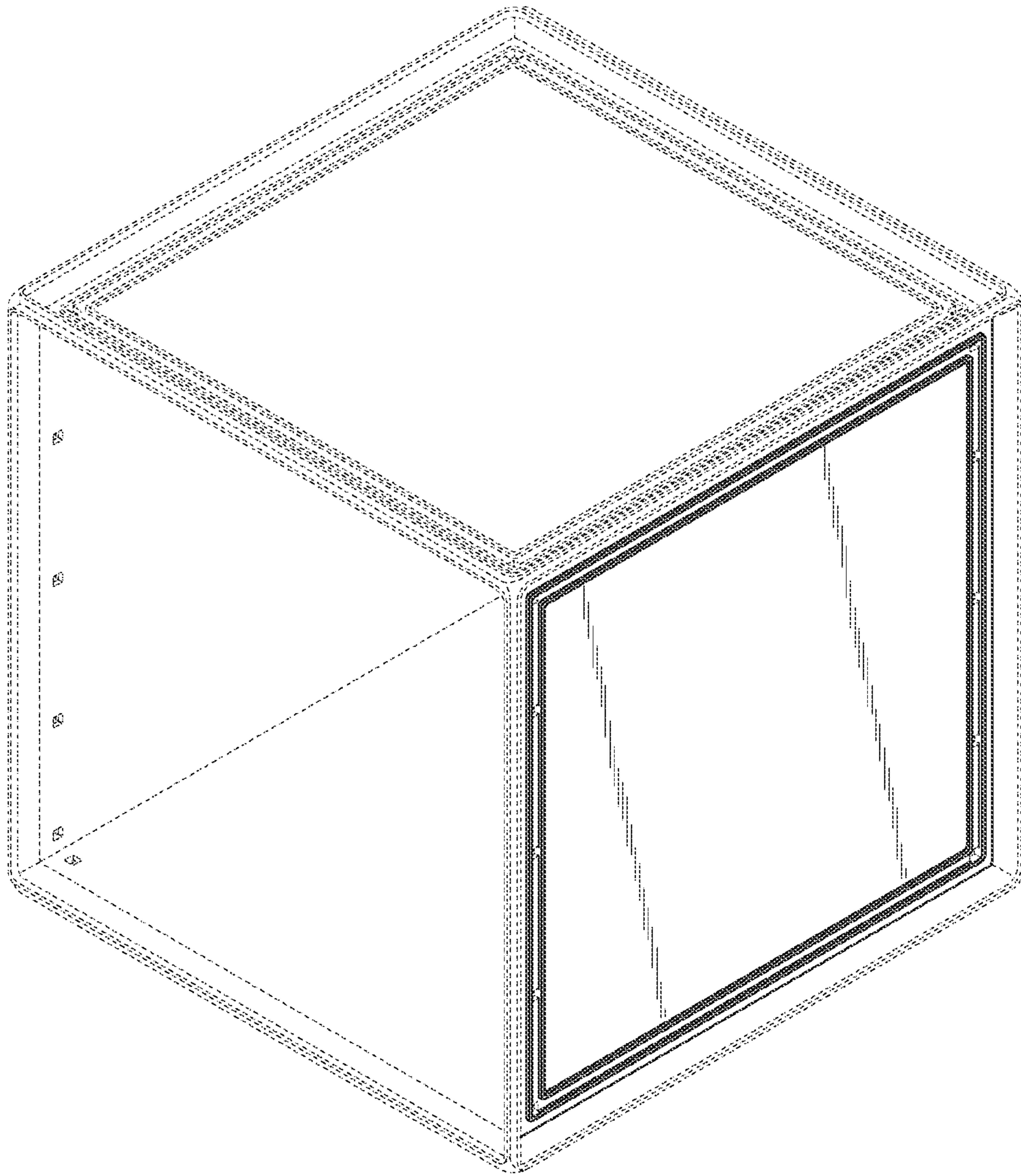


Fig. 1

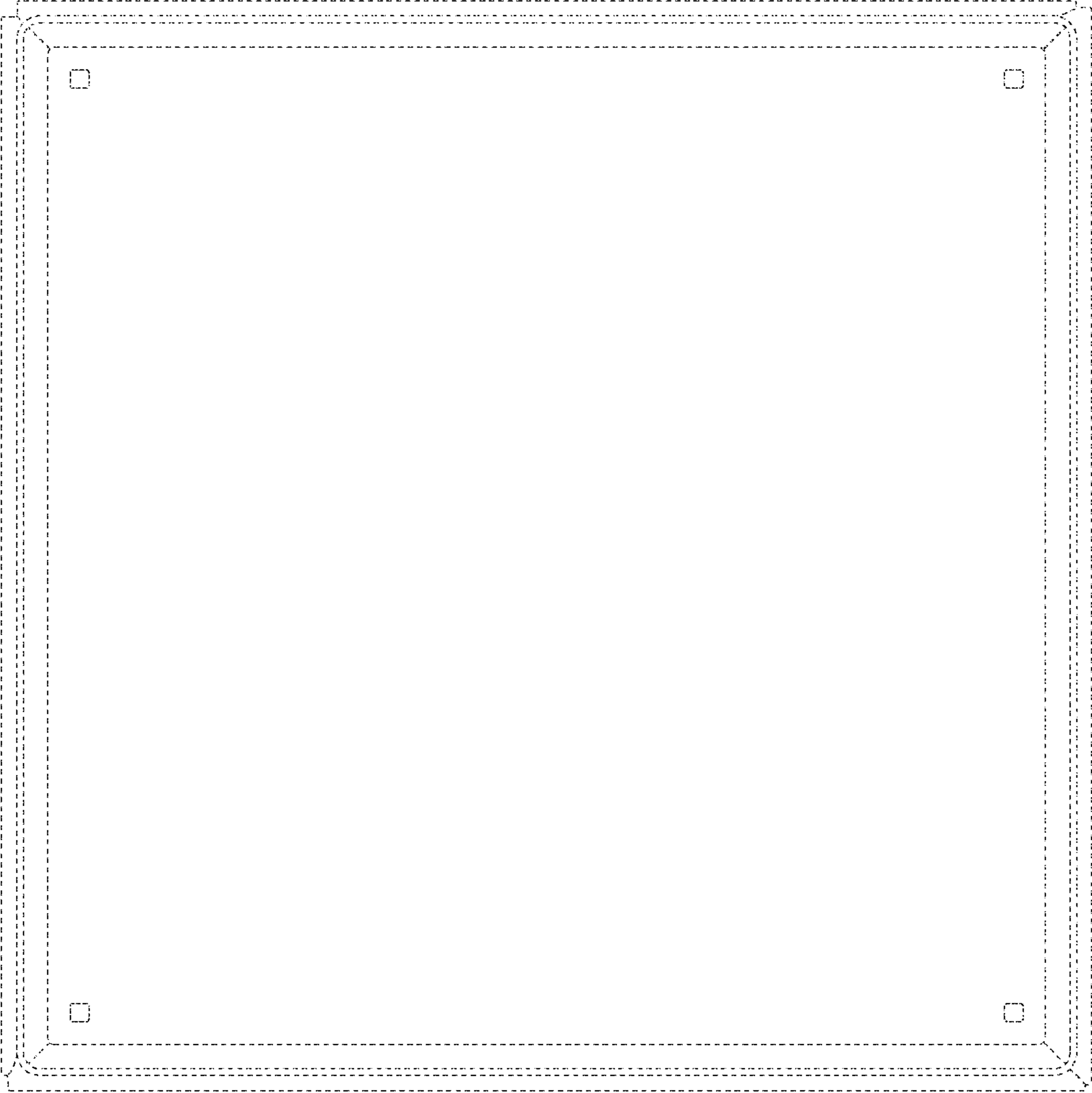


Fig. 2

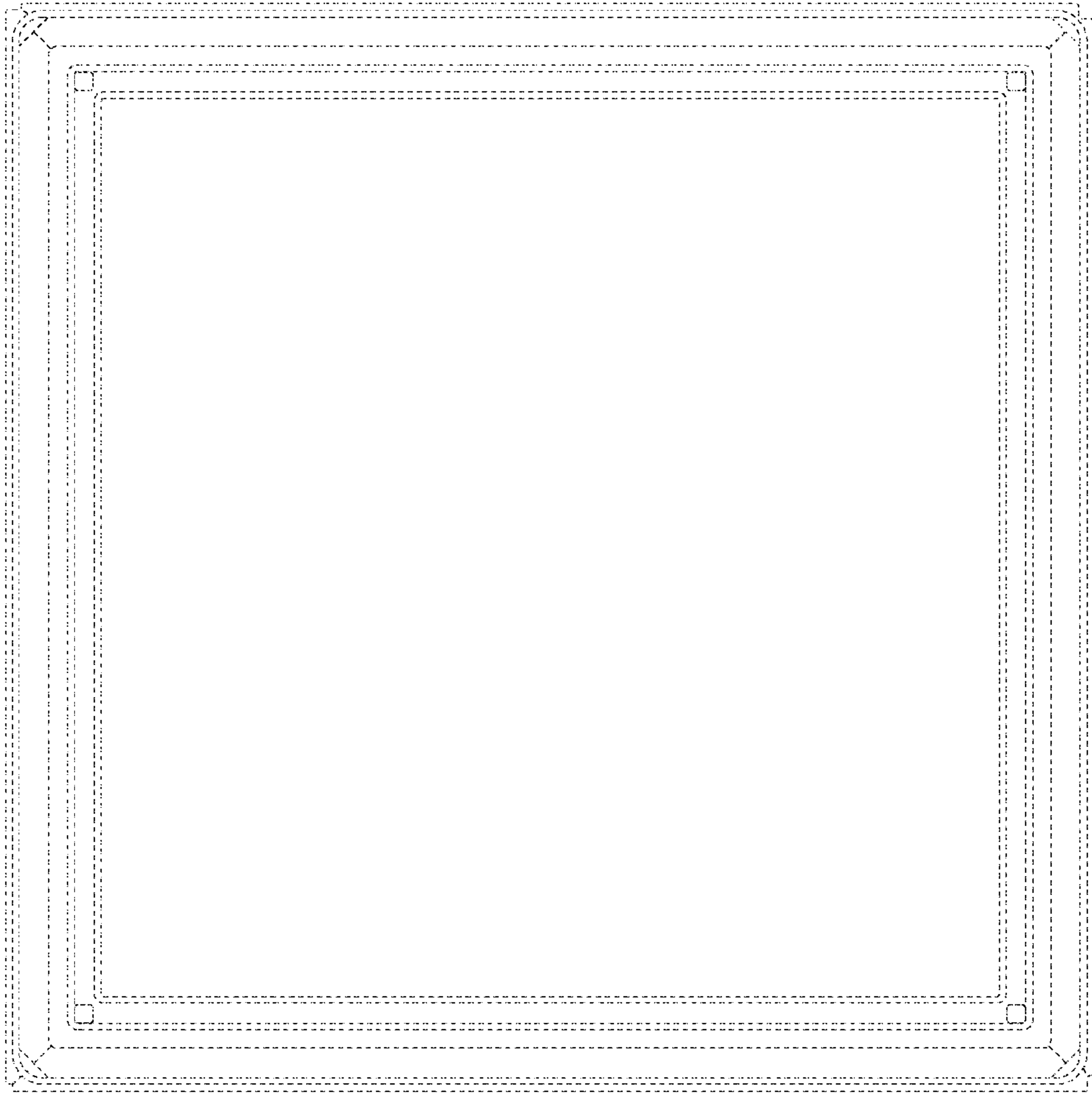


Fig. 3

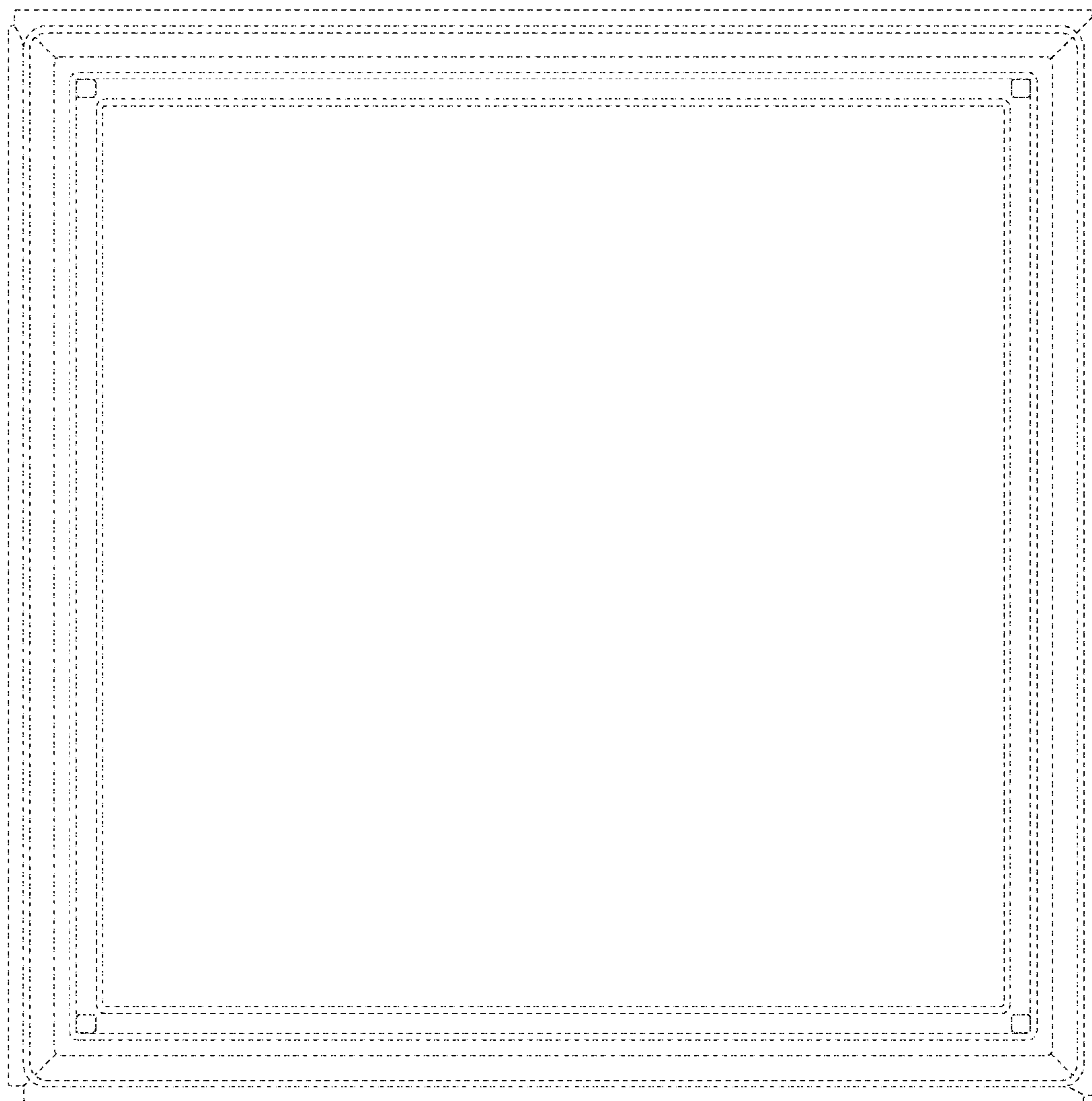
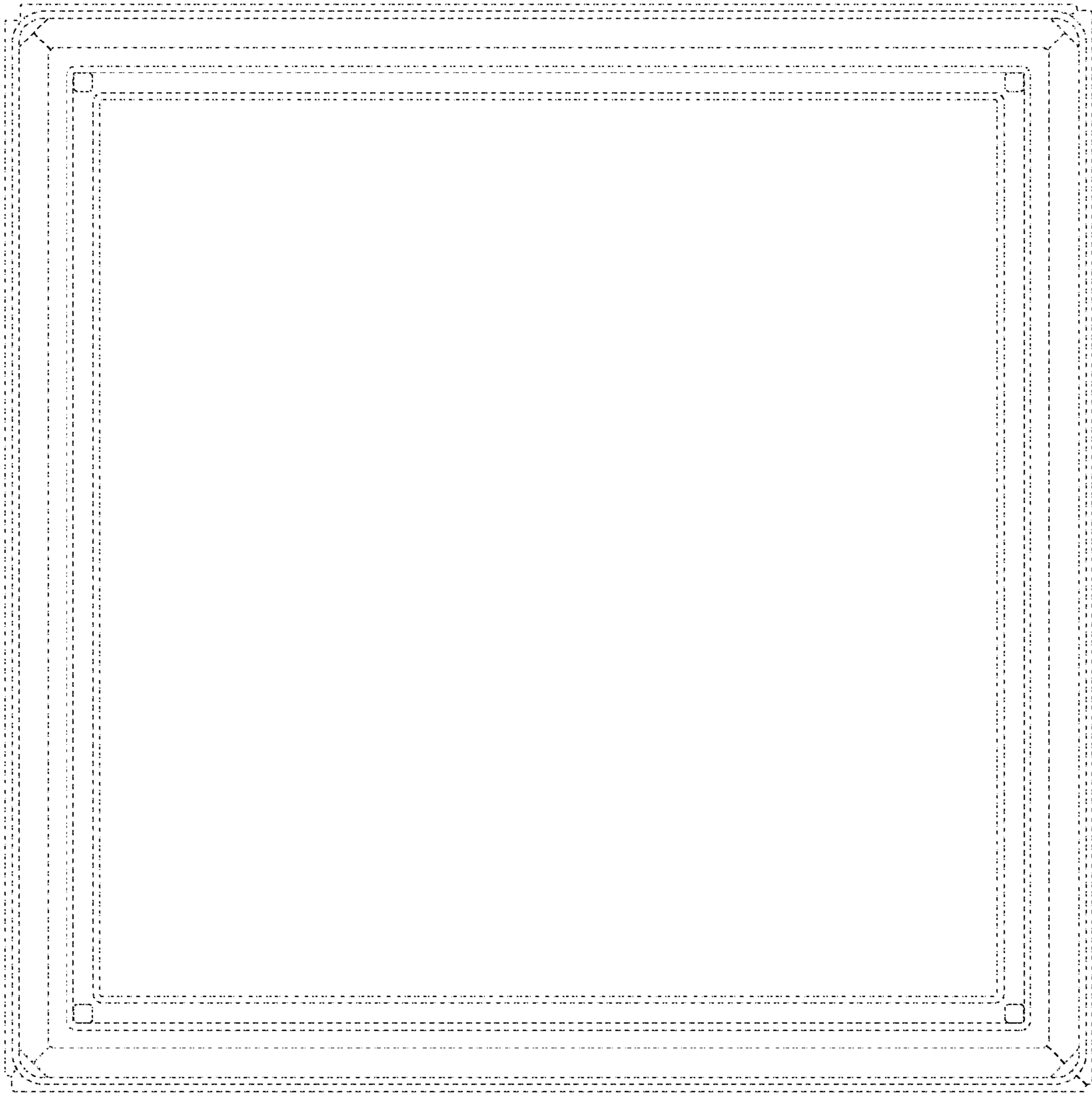


Fig. 4



**Fig. 5**

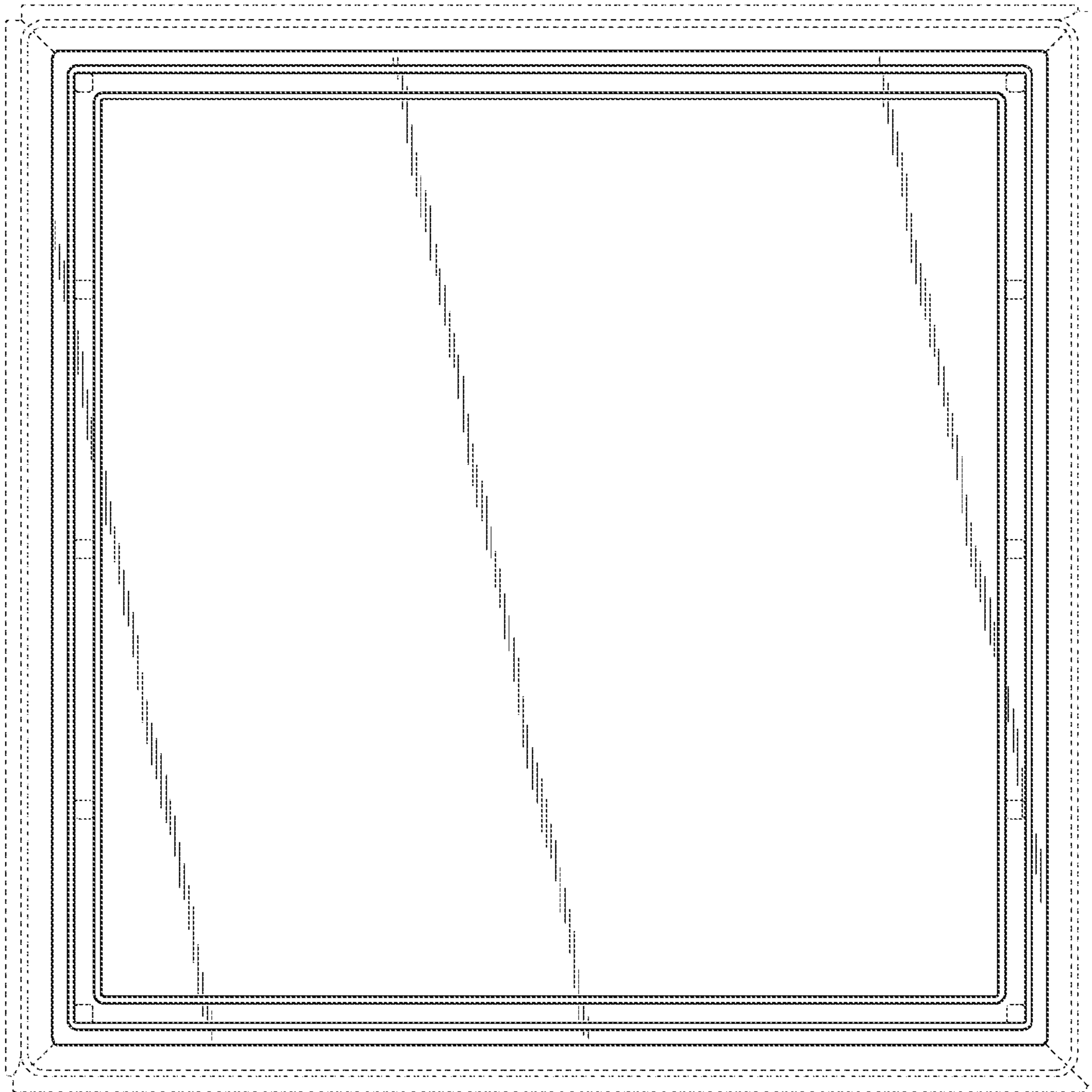


Fig. 6



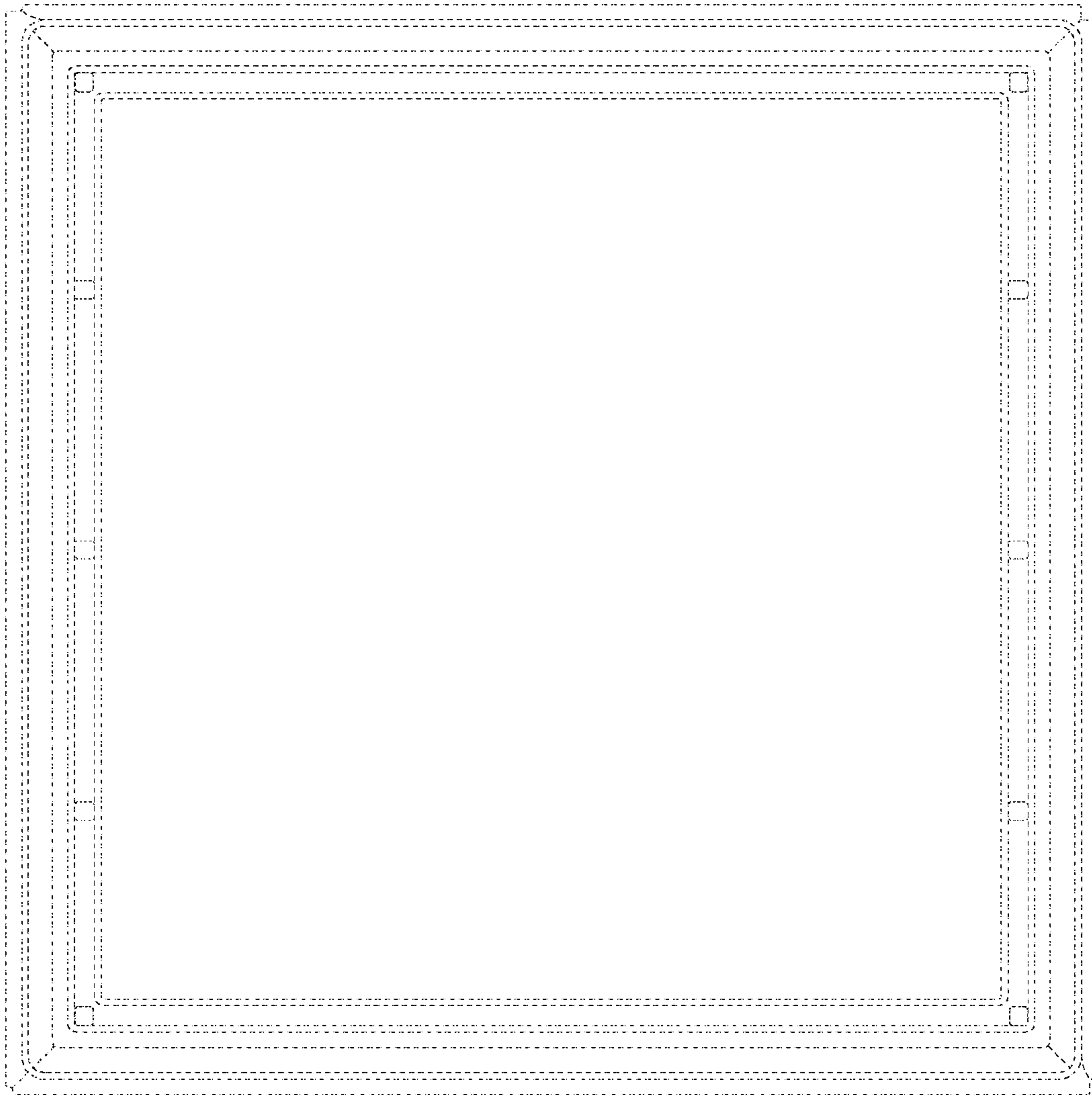


Fig. 7