



US00D632891S

(12) **United States Design Patent**
Reimers

(10) **Patent No.:** **US D632,891 S**

(45) **Date of Patent:** **** Feb. 22, 2011**

(54) **GOLF BAG TOP**

(75) Inventor: **Eric W. Reimers**, Missoula, MT (US)

(73) Assignee: **Sun Mountain Sports, Inc.**, Missoula, MT (US)

(**) Term: **14 Years**

(21) Appl. No.: **29/368,388**

(22) Filed: **Aug. 23, 2010**

(51) **LOC (9) Cl.** **03-01**

(52) **U.S. Cl.** **D3/255**

(58) **Field of Classification Search** D3/254-255,
D3/259; 224/645, 260, 627; 206/315.2-315.8
See application file for complete search history.

(56) **References Cited**

U.S. PATENT DOCUMENTS

| | | | | |
|----------------|---------|----------------|-------|-----------|
| D450,188 S * | 11/2001 | Maeng | | D3/320 |
| 6,513,652 B1 * | 2/2003 | Solheim et al. | | 206/315.3 |
| D493,620 S * | 8/2004 | Reimers | | D3/320 |
| D537,634 S * | 3/2007 | Renahan | | D3/320 |

* cited by examiner

Primary Examiner—Holly H Baynham

(74) *Attorney, Agent, or Firm*—Michael J. Hughes

(57) **CLAIM**

The ornamental design for a golf bag top, as shown.

DESCRIPTION

FIG. 1 is a front top right front perspective view of the golf bag top of the present invention;

FIG. 2 is a front perspective view thereof;

FIG. 3 is a rear elevational view thereof;

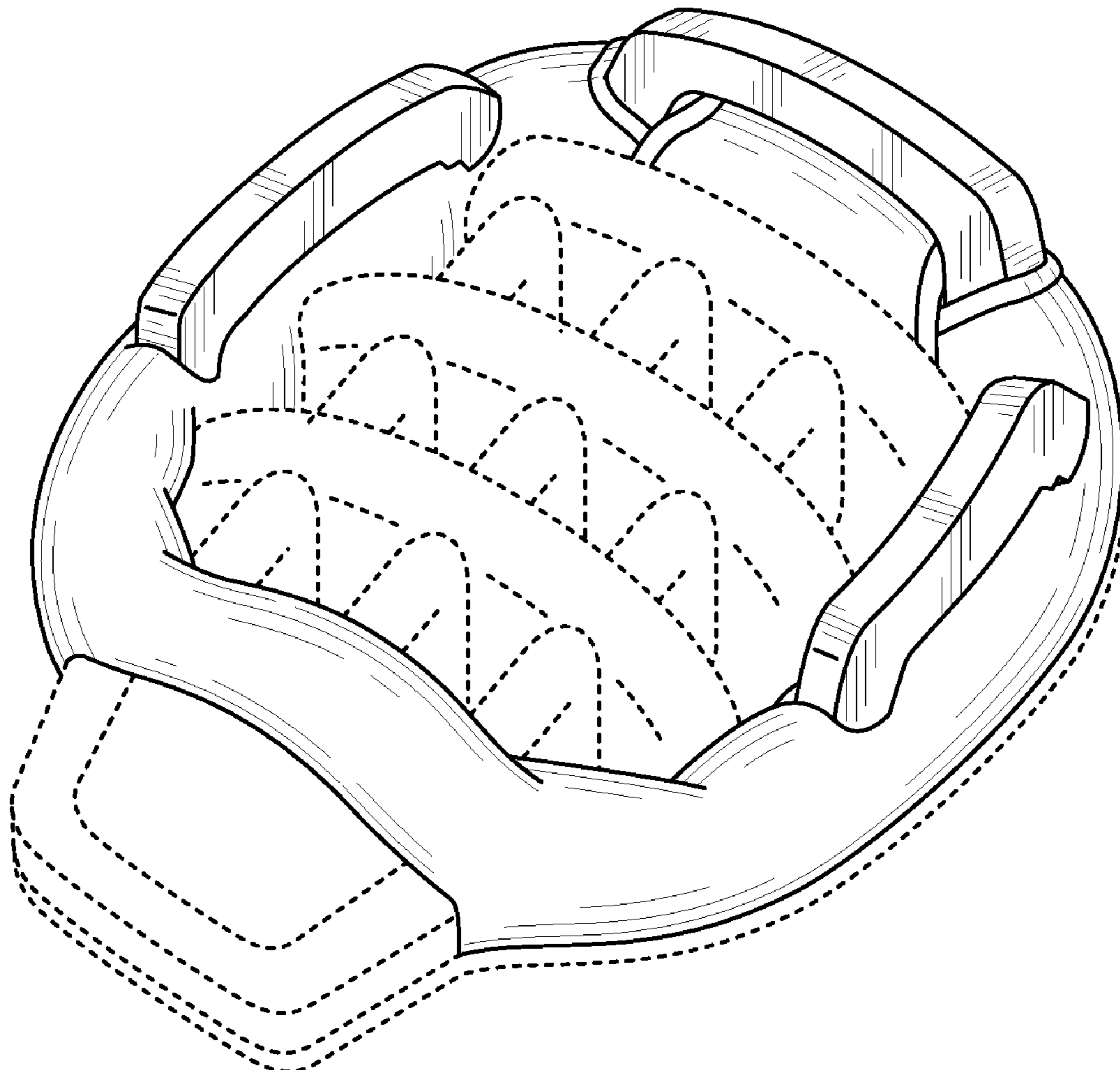
FIG. 4 is a left side elevational view thereof;

FIG. 5 is a right side elevational view thereof; and,

FIG. 6 is top view thereof.

The broken line showing of golf club dividers is included for the purpose of illustrating environment and forms no part of the claimed design.

1 Claim, 3 Drawing Sheets



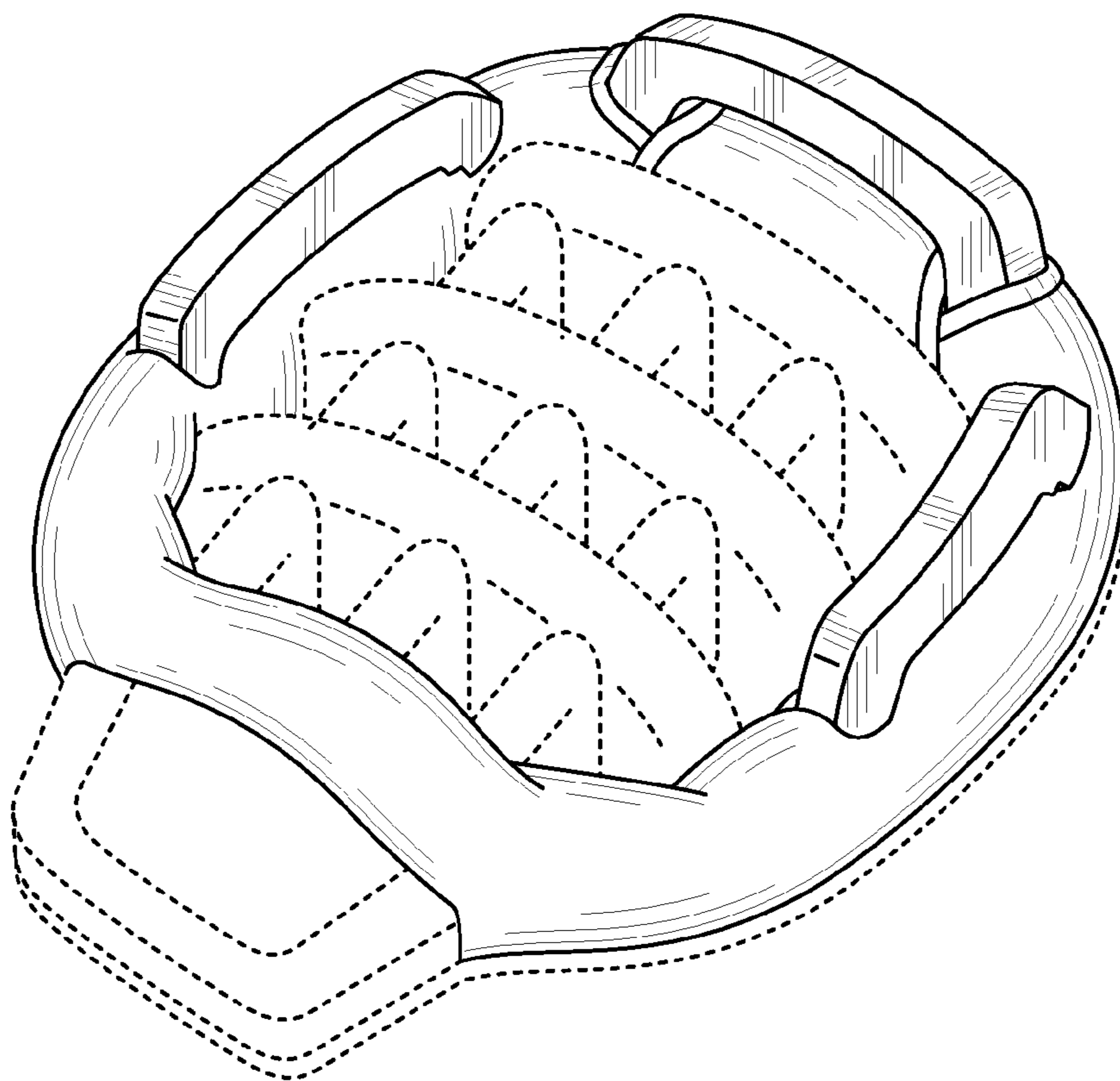


FIG. 1

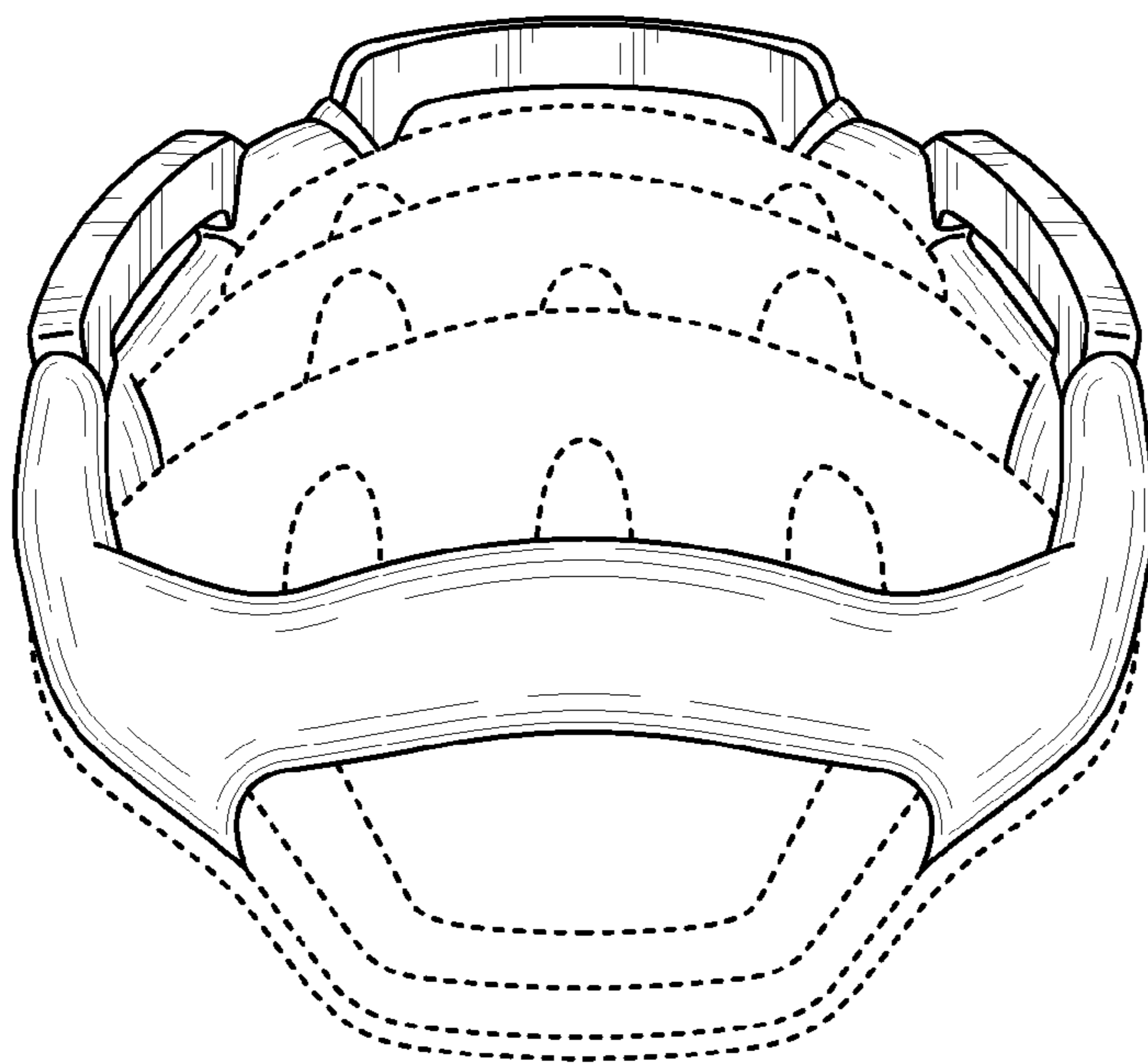


FIG. 2

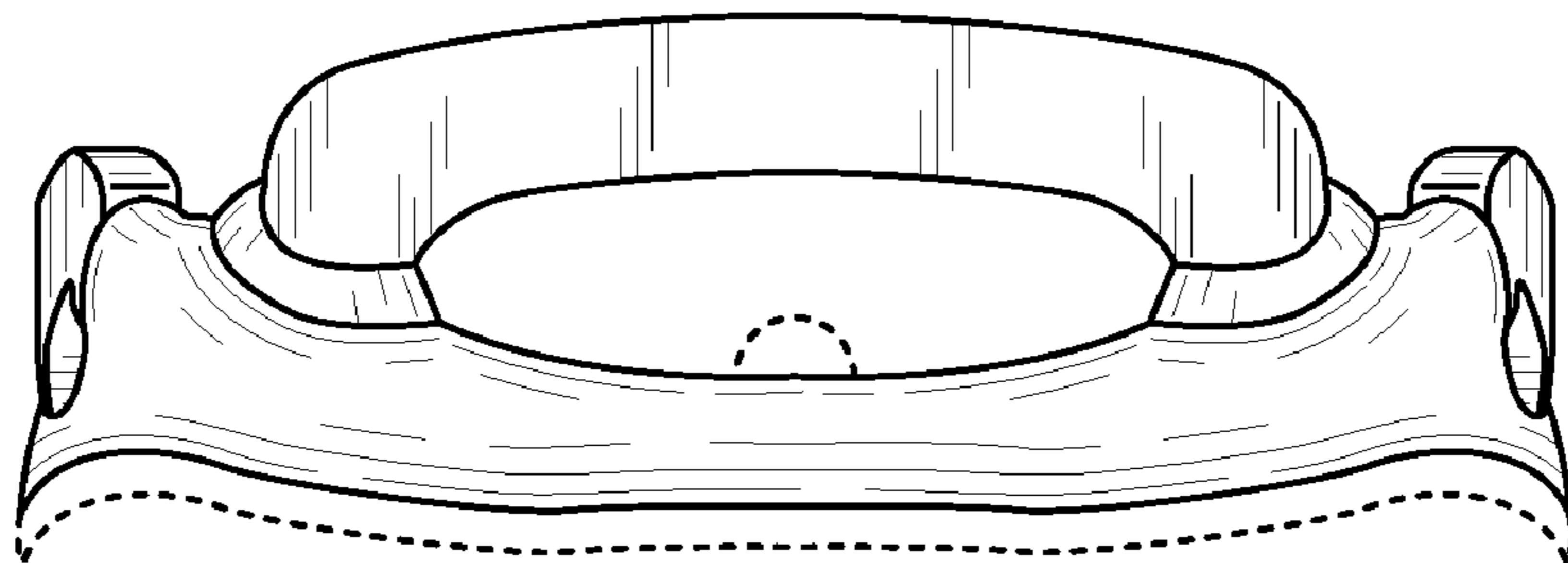


FIG. 3

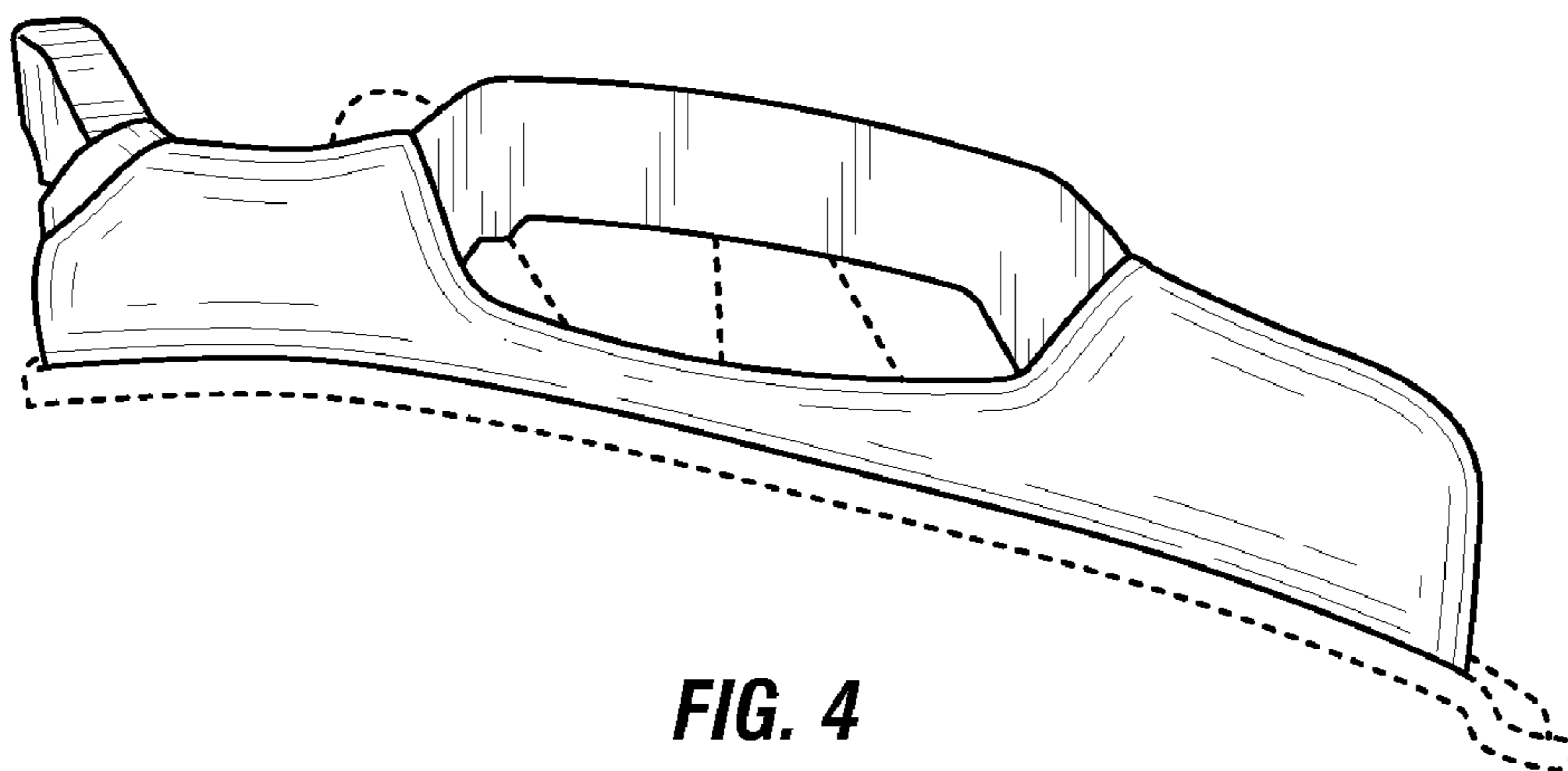


FIG. 4

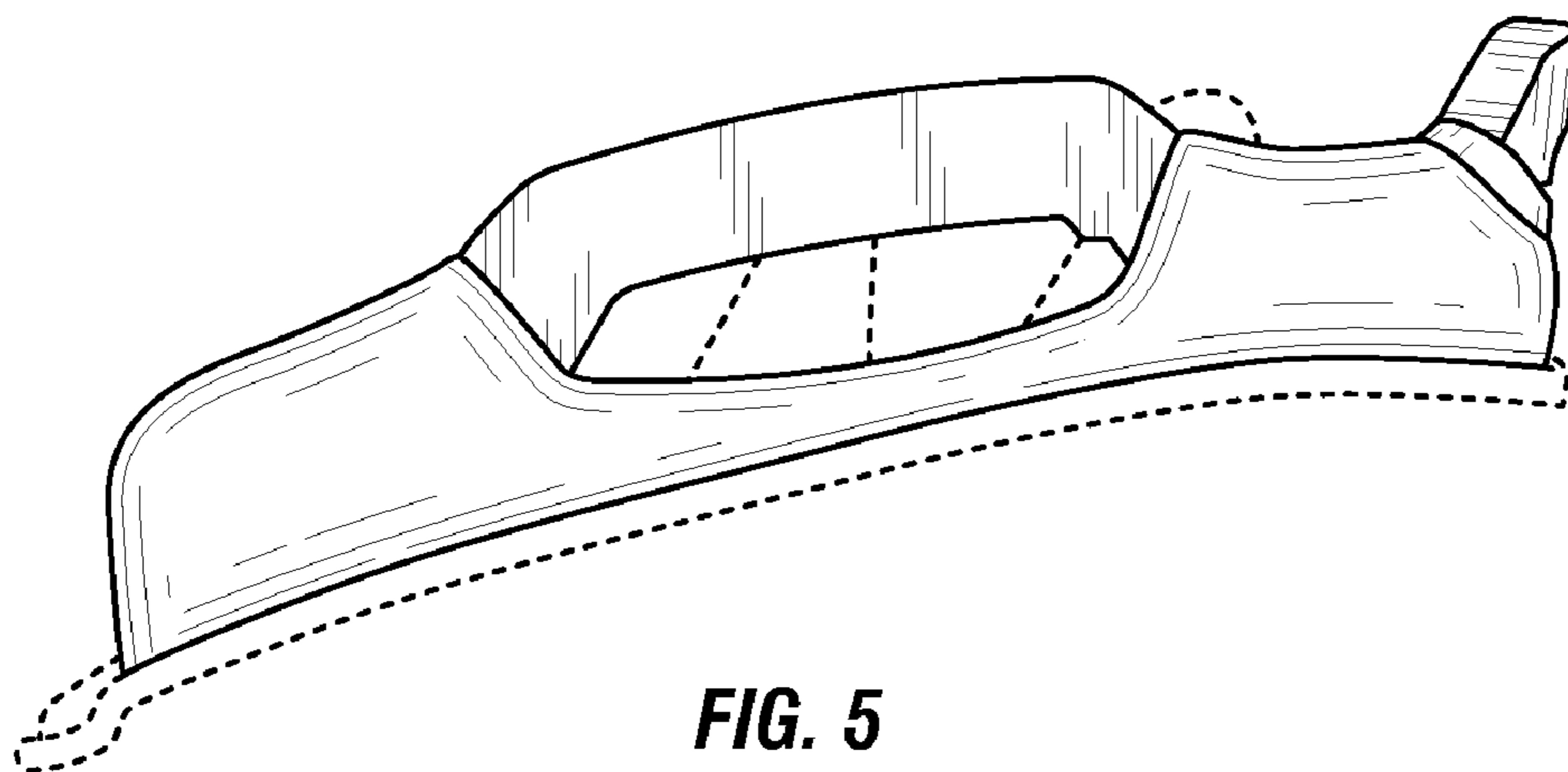


FIG. 5

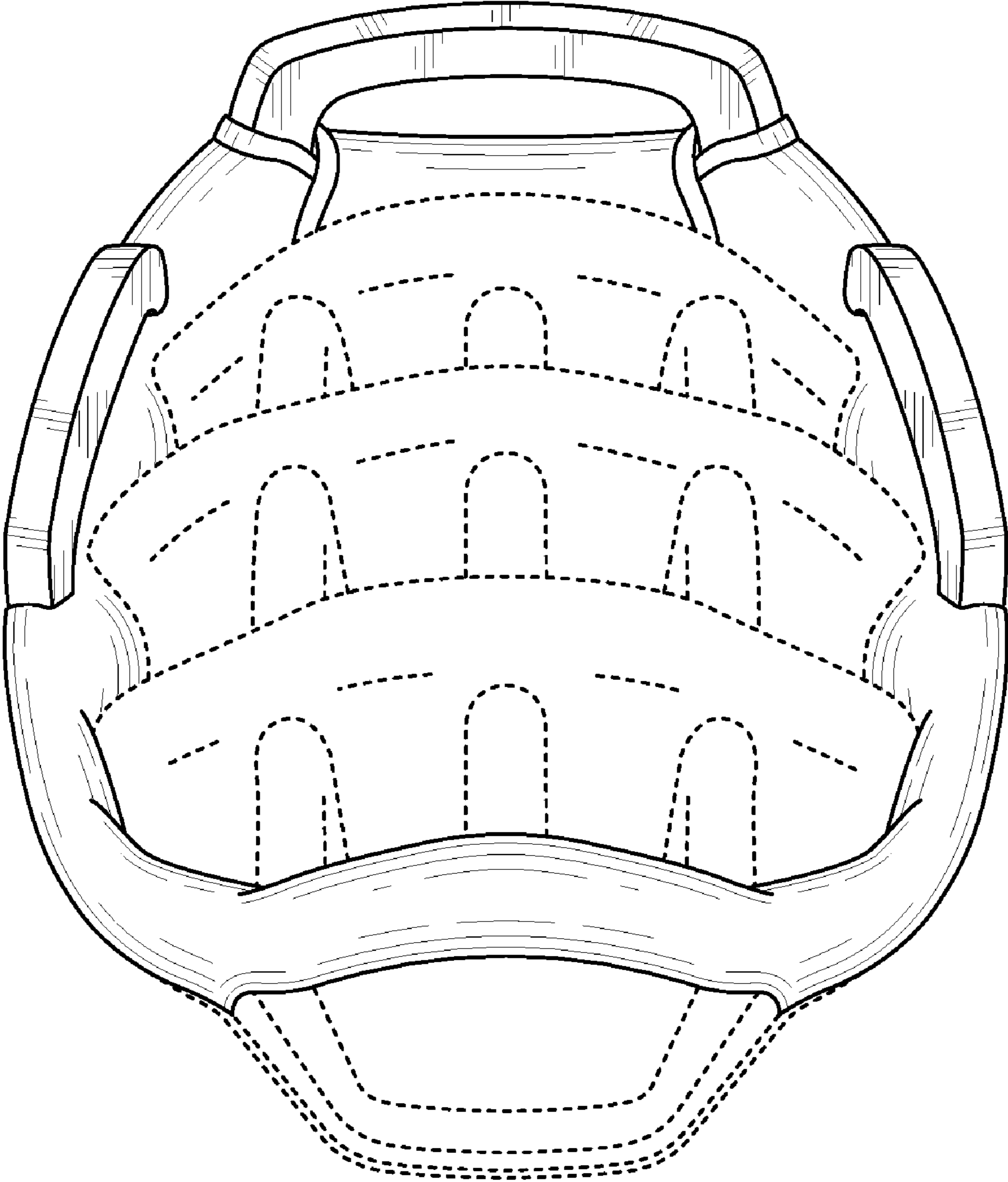


FIG. 6