



US00D632865S

(12) **United States Design Patent**
Wright

(10) **Patent No.:** **US D632,865 S**
(45) **Date of Patent:** **** Feb. 15, 2011**

(54) **WOOD PELLET CART**

(75) Inventor: **Ty M. Wright**, 7474 SE. Johnson Creek Blvd., Portland, OR (US) 97206

(73) Assignee: **Ty M. Wright**, Portland, OR (US)

(**) Term: **14 Years**

(21) Appl. No.: **29/342,067**

(22) Filed: **Aug. 18, 2009**

(51) **LOC (9) Cl.** **12-02**

(52) **U.S. Cl.** **D34/12**

(58) **Field of Classification Search** D34/12-27;
198/313, 314, 311, 550.1; 414/498, 523,
414/639, 641, 79.11, 79.3, 526, 33.91, 79.2,
414/43.1

See application file for complete search history.

(56) **References Cited**

U.S. PATENT DOCUMENTS

390,259	A *	10/1888	Schwartz	119/58
D192,995	S *	6/1962	Golden	D34/19
3,439,819	A *	4/1969	Quanbeck	414/526
3,565,044	A *	2/1971	Sorrels	119/53
4,286,530	A *	9/1981	Conley	111/200
4,312,297	A *	1/1982	Roberts	119/53
5,237,962	A *	8/1993	Garman	119/58
5,529,455	A *	6/1996	Kaster et al.	414/523
5,615,990	A *	4/1997	Grieshop	414/526
D438,683	S *	3/2001	Eltvedt	D34/19

6,893,202	B2 *	5/2005	Hunt	414/519
7,134,830	B2 *	11/2006	Wood	414/523
D598,622	S *	8/2009	Wise	D34/19

* cited by examiner

Primary Examiner—Cynthia E Ramirez

(74) *Attorney, Agent, or Firm*—Schwabe, Williamson & Wyatt, P.C.

(57) **CLAIM**

The ornamental design for a wood pellet cart, as shown and described.

DESCRIPTION

FIG. 1 is a front perspective view of a wood pellet cart shown with the lid closed;

FIG. 2 is a front perspective view shown with the lid open thereof;

FIG. 3 is a front elevational view thereof;

FIG. 4 is a rear elevational view thereof;

FIG. 5 is a left elevational side view thereof;

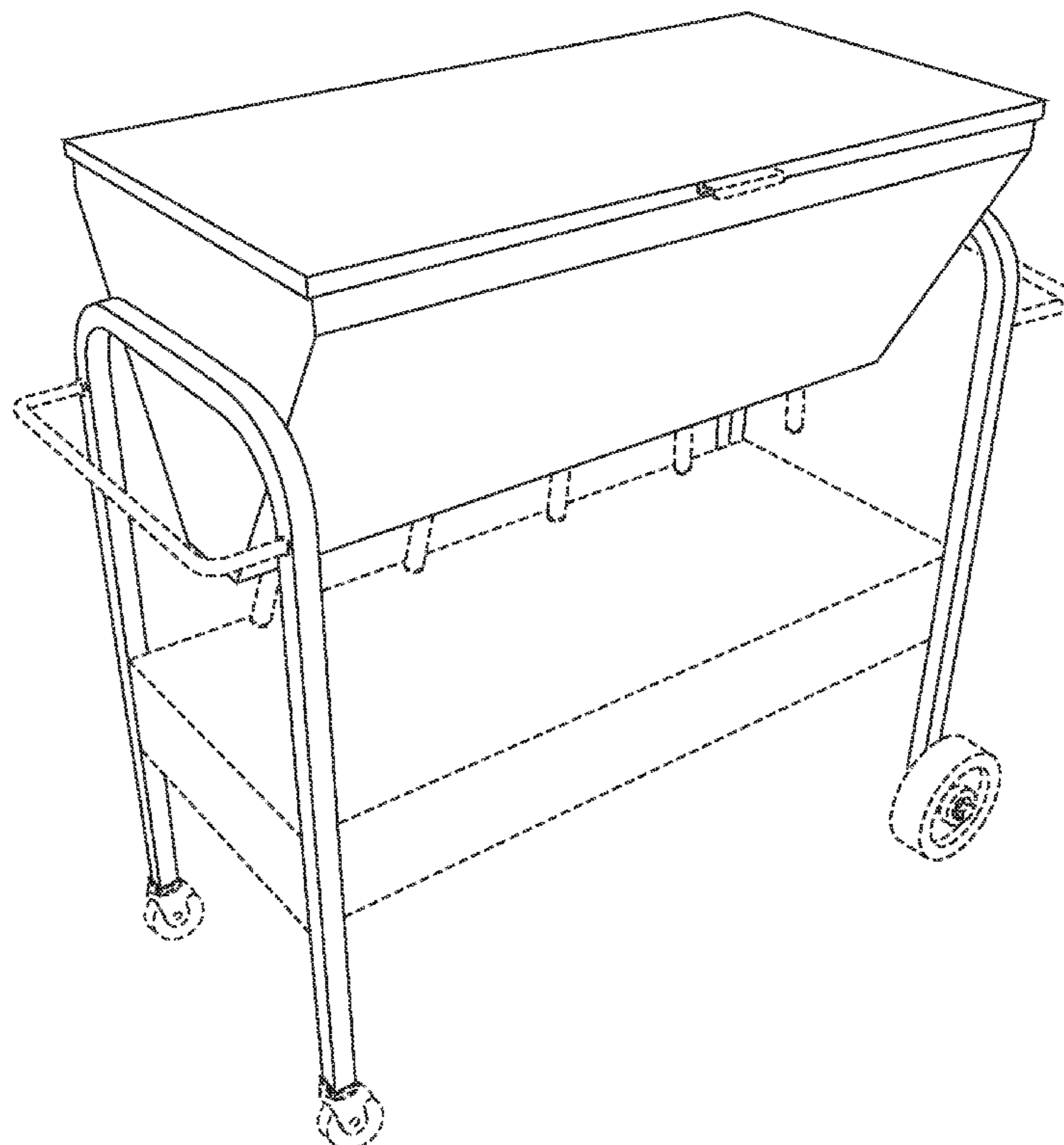
FIG. 6 is a right elevational side view thereof;

FIG. 7 is a top plan view thereof; and,

FIG. 8 is a bottom plan view thereof.

The broken line in the figures is included for the purpose of illustrating environment and forms no part of the claimed design.

1 Claim, 6 Drawing Sheets



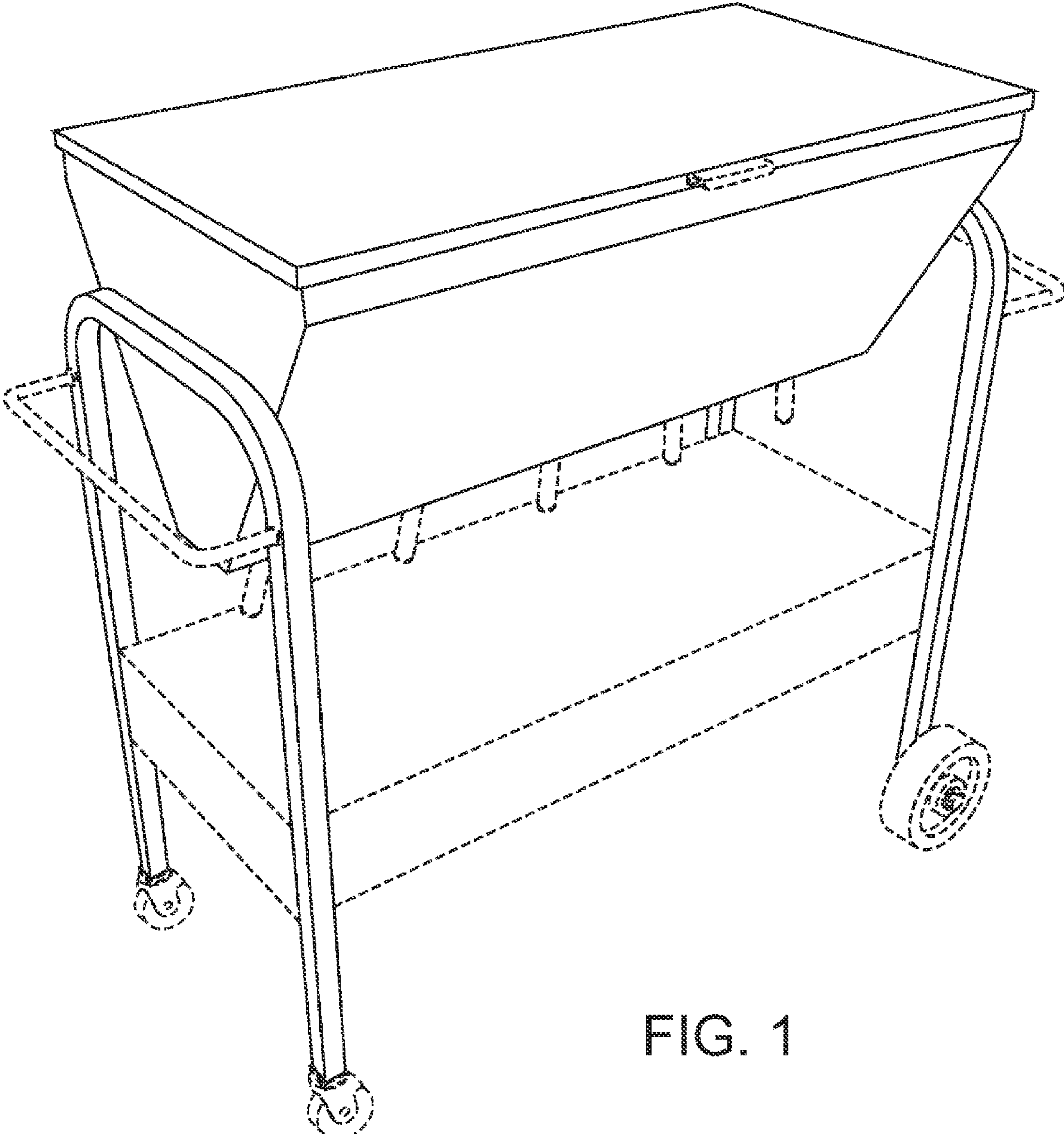


FIG. 1

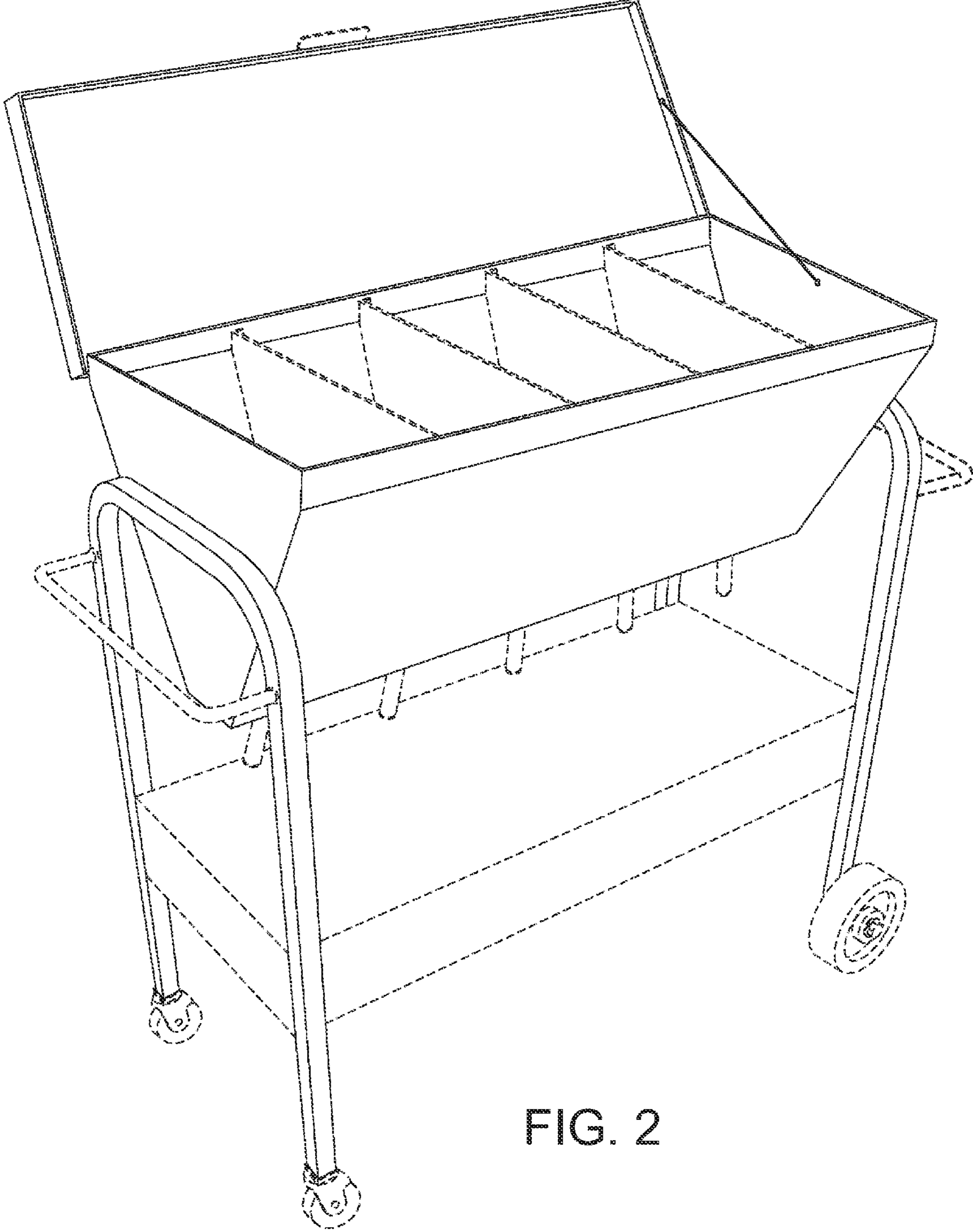


FIG. 2

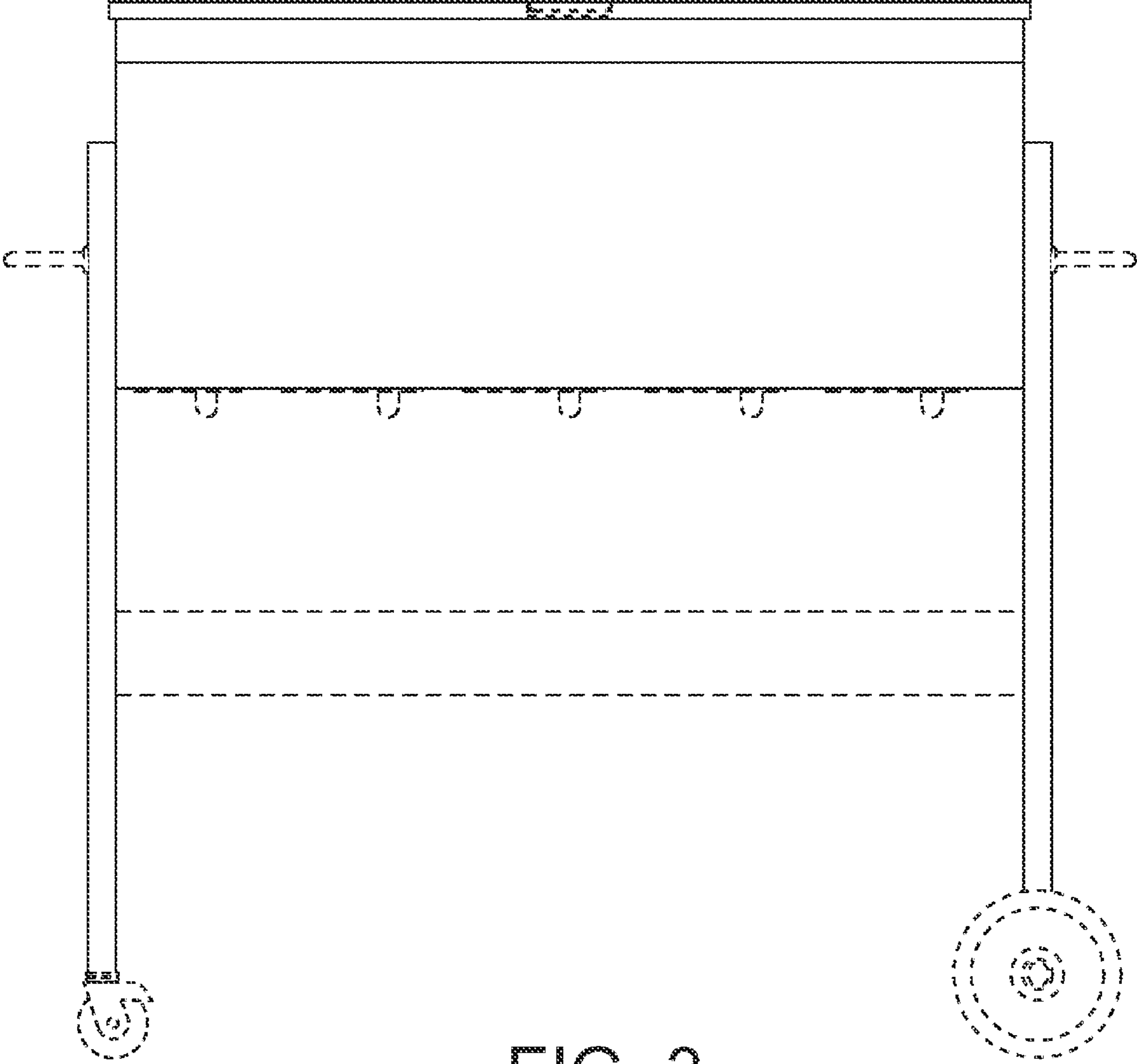


FIG. 3

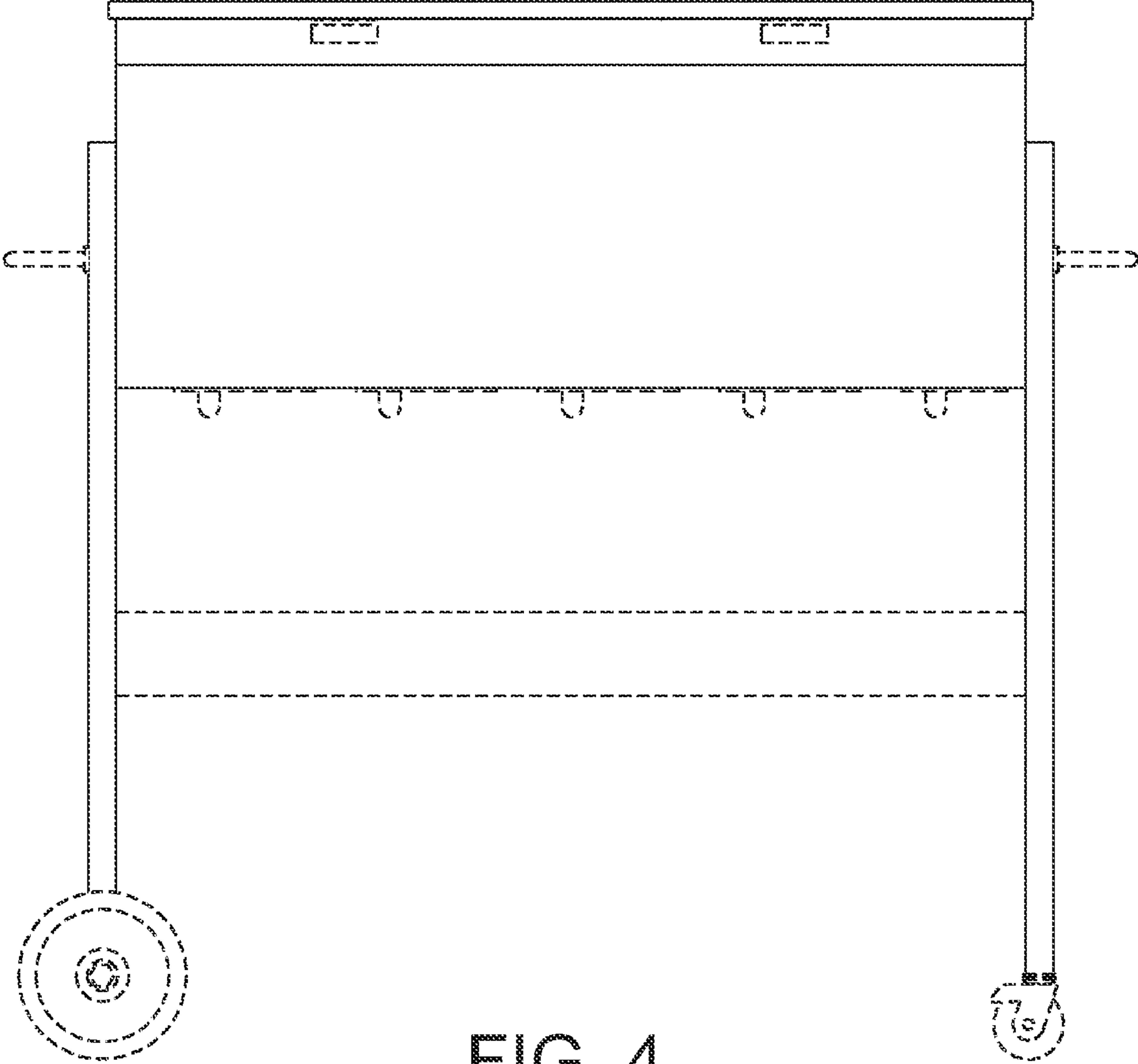


FIG. 4

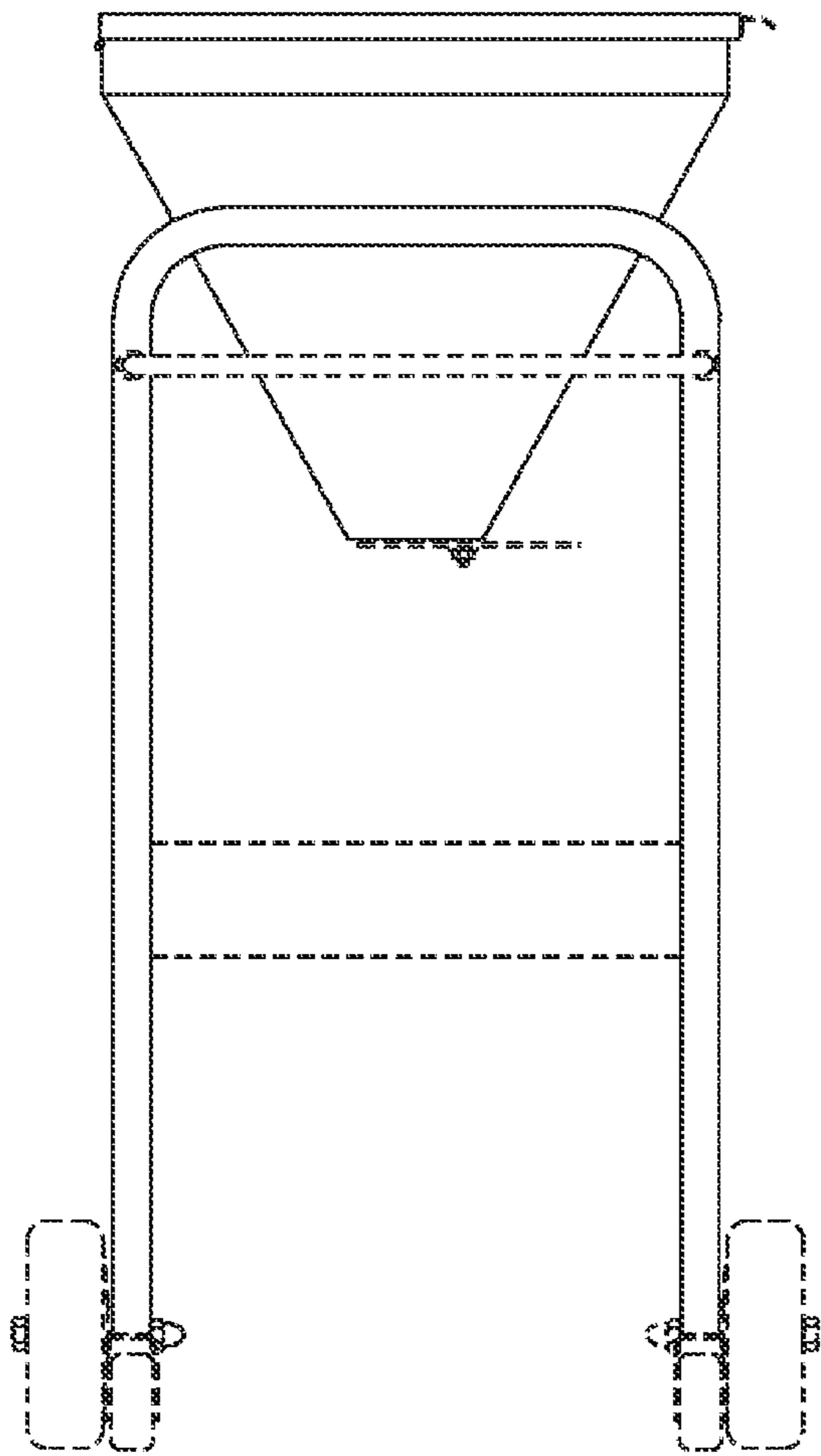


FIG. 5

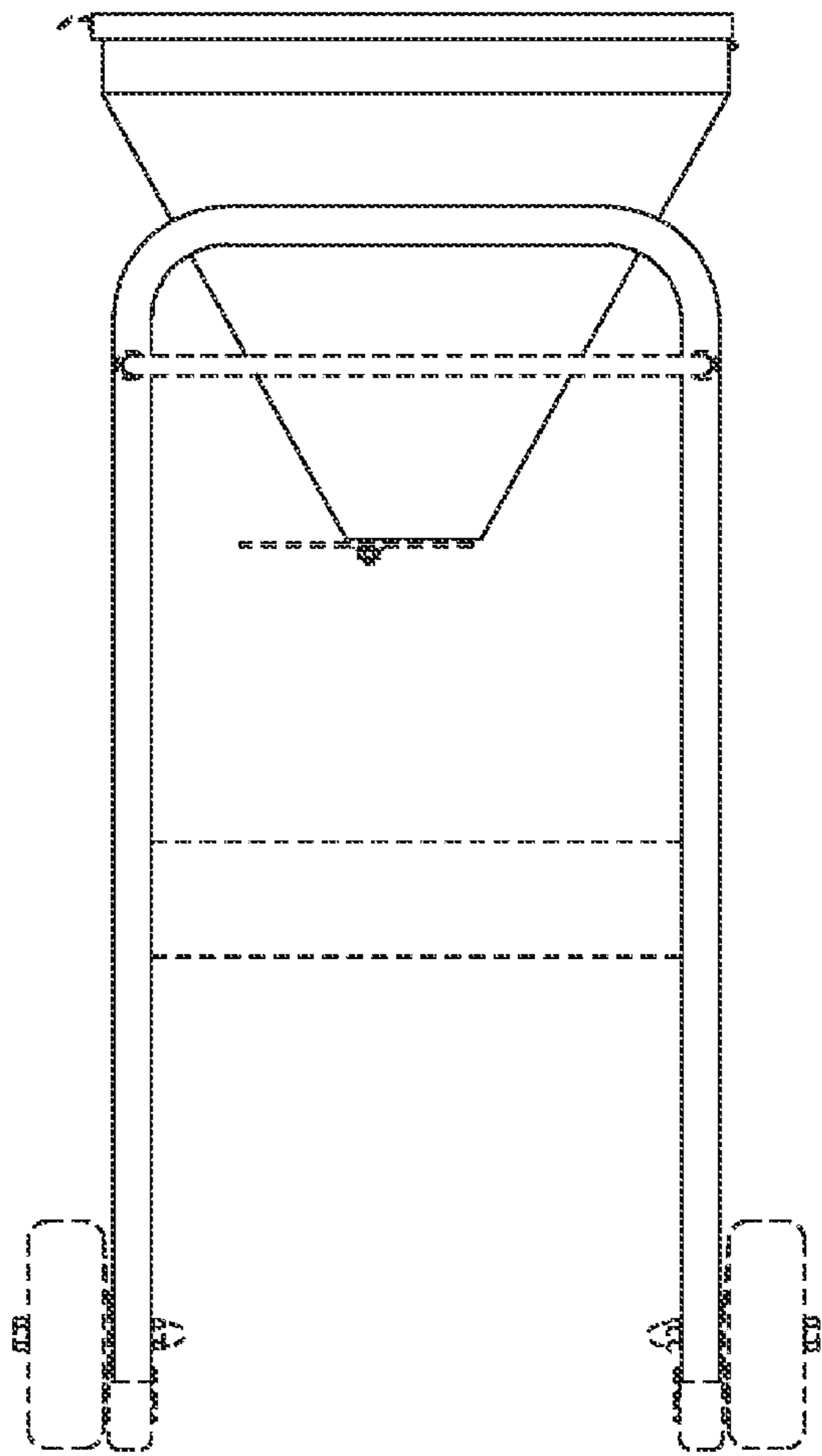


FIG. 6

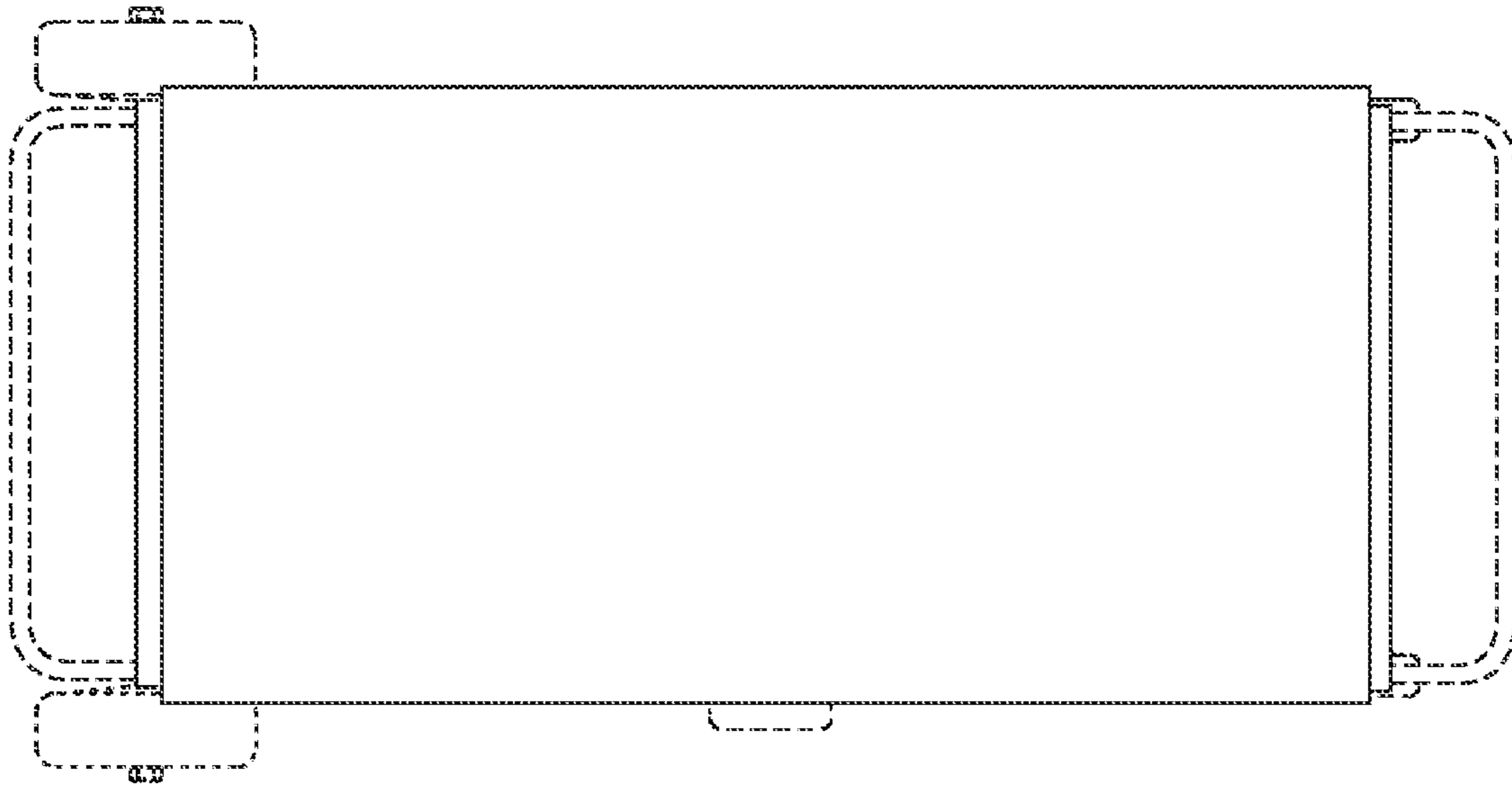


FIG. 7

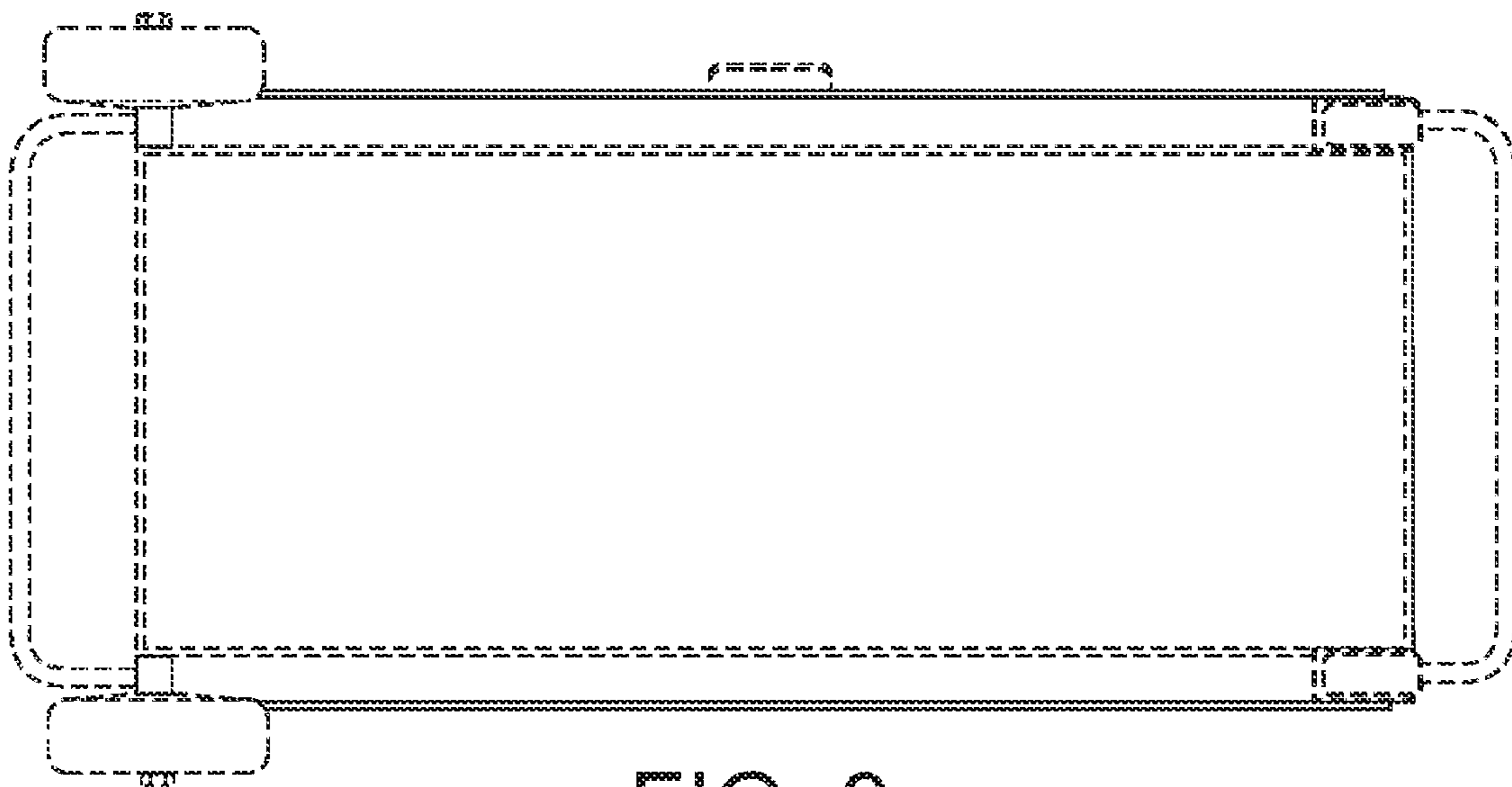


FIG. 8