



US00D632860S

(12) **United States Design Patent**  
**LaPan**

(10) **Patent No.:** **US D632,860 S**

(45) **Date of Patent:** **\*\* Feb. 15, 2011**

(54) **PAINT CAN HANGER**

(76) Inventor: **Daniel LaPan**, 32337 Bock St., Garden City, MI (US) 48135

(\*\*) Term: **14 Years**

(21) Appl. No.: **29/362,940**

(22) Filed: **Jun. 2, 2010**

(51) **LOC (9) Cl.** ..... **07-07**

(52) **U.S. Cl.** ..... **D32/54**

(58) **Field of Classification Search** ..... D32/53,  
D32/53.1, 54; 222/570, 567; 220/694-701  
See application file for complete search history.

(56) **References Cited**

U.S. PATENT DOCUMENTS

1,381,248	A *	6/1921	Stevens	.....	220/700
2,452,025	A *	10/1948	Dunn	.....	248/110
3,061,140	A *	10/1962	Barnes	.....	220/699
3,291,337	A *	12/1966	Jenkins	.....	220/697

D572,874	S *	7/2008	Moravsky et al.	.....	D32/54
D615,264	S *	5/2010	Yon	.....	D32/54

\* cited by examiner

*Primary Examiner*—Robin V Webster

(74) *Attorney, Agent, or Firm*—Carlson, Gaskey & Olds, P.C.

(57) **CLAIM**

I claim the ornamental design for a paint can hanger, as shown and described.

**DESCRIPTION**

FIG. 1 is a perspective view of an inventive paint can hanger.

FIG. 2 is a second perspective view of the paint can hanger of FIG. 1.

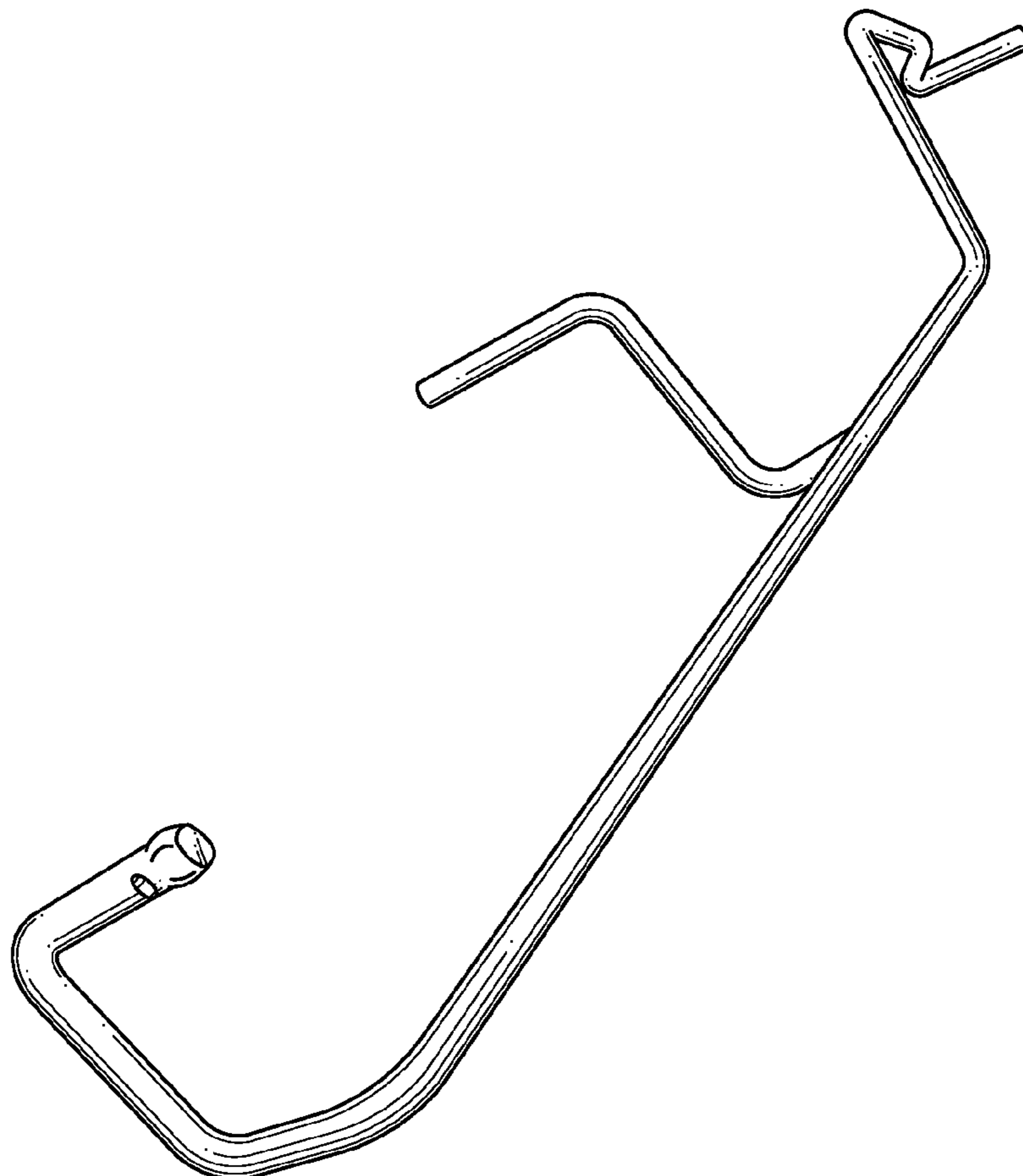
FIG. 3 is a top view of the paint can hanger of FIG. 1.

FIG. 4 is a front view of the paint can hanger of FIG. 1.

FIG. 5 is a left side view of the paint can hanger of FIG. 1; and,

FIG. 6 is a rear view of the paint can hanger of FIG. 1.

**1 Claim, 2 Drawing Sheets**



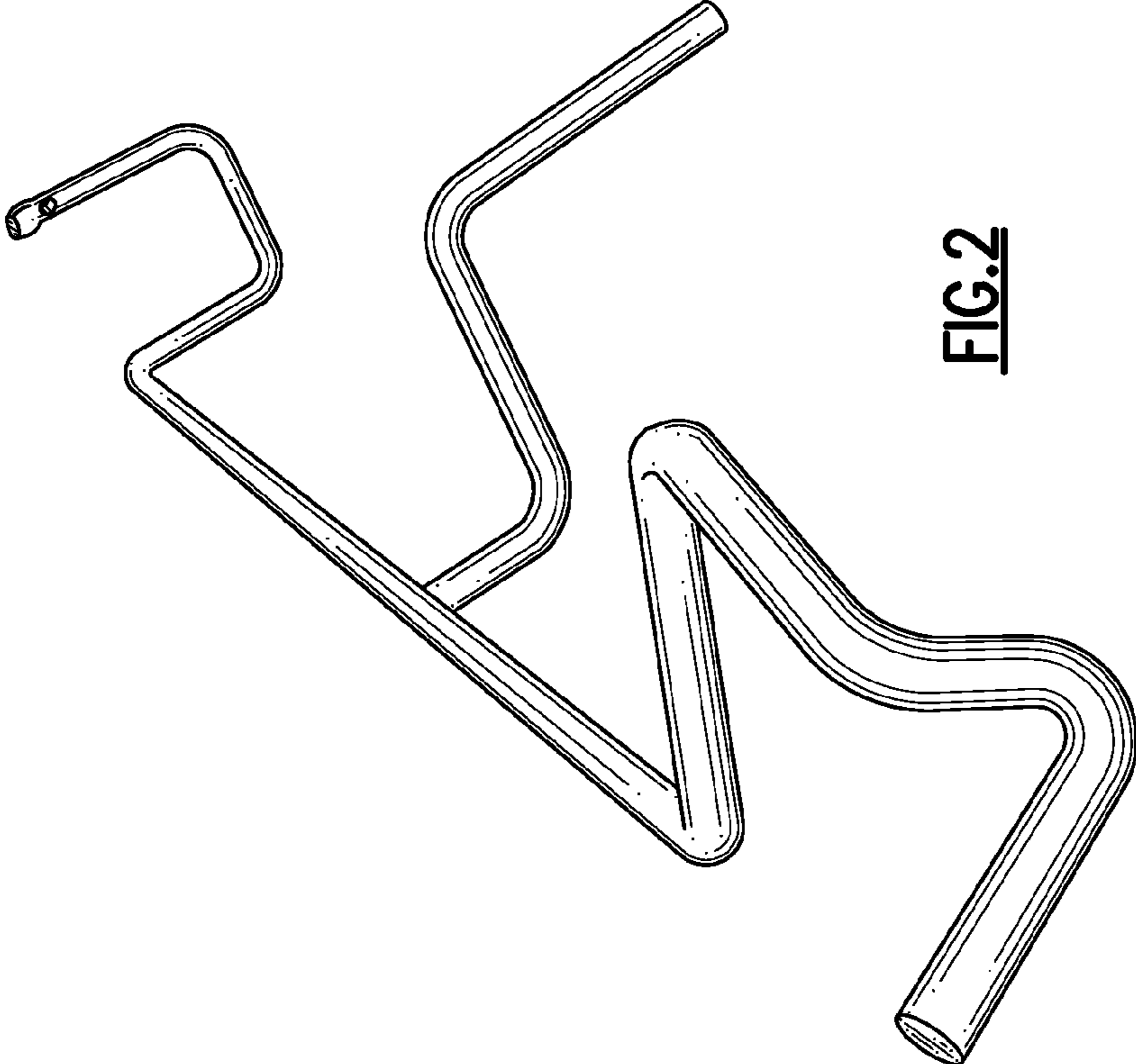


FIG. 2

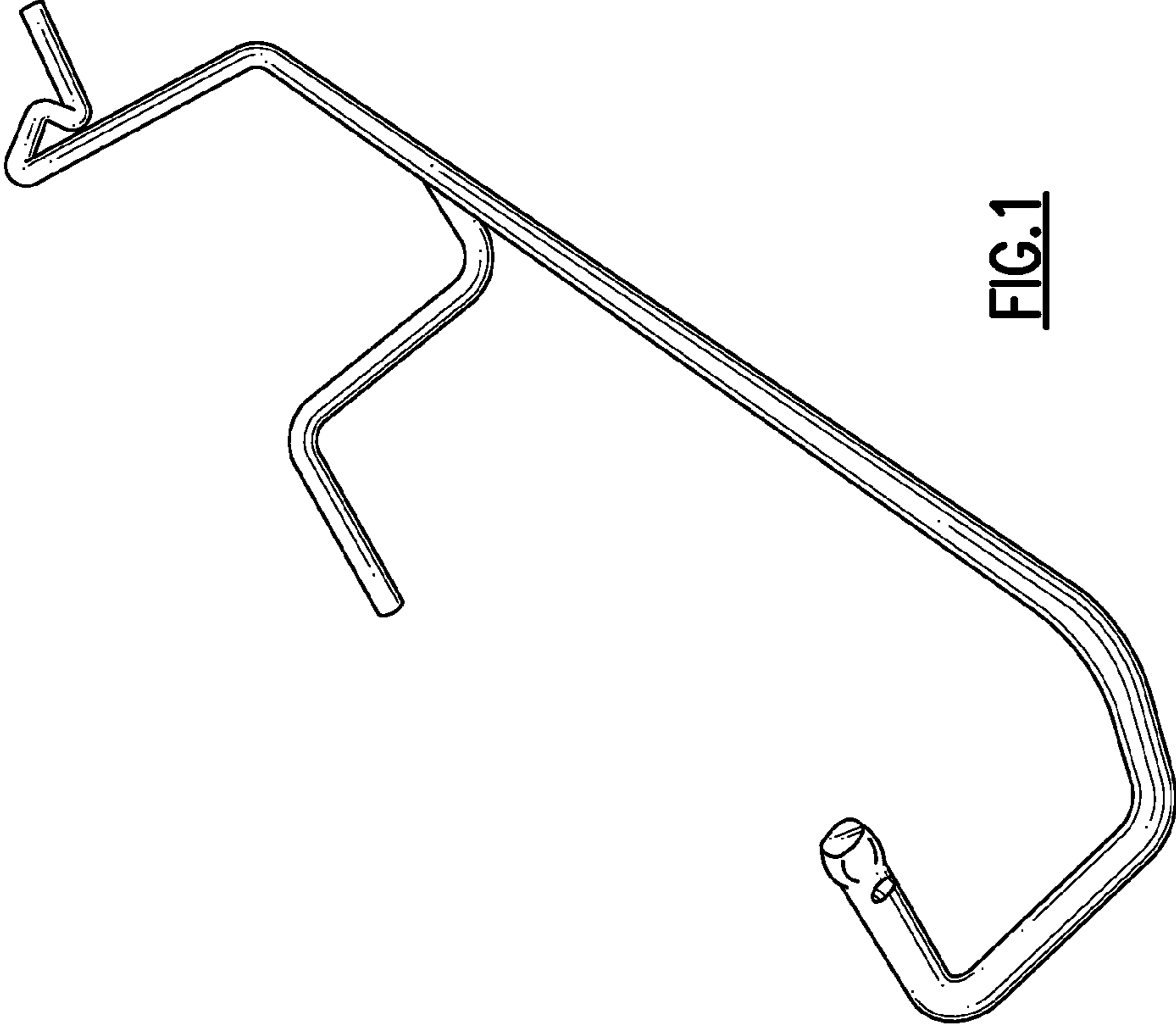


FIG. 1

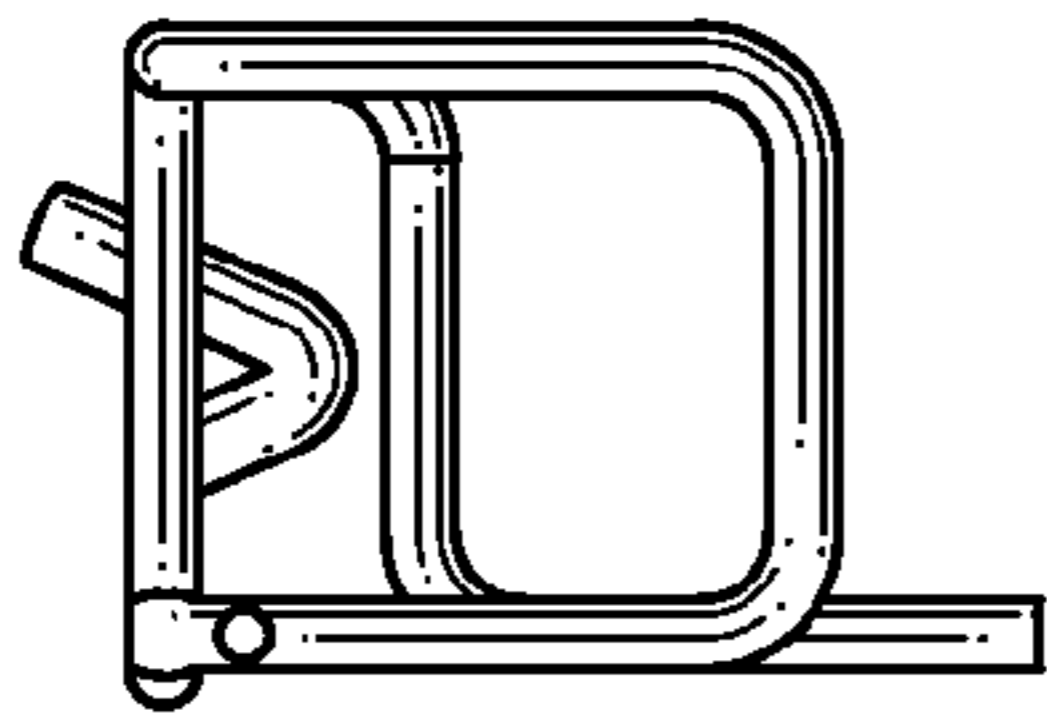


FIG. 4

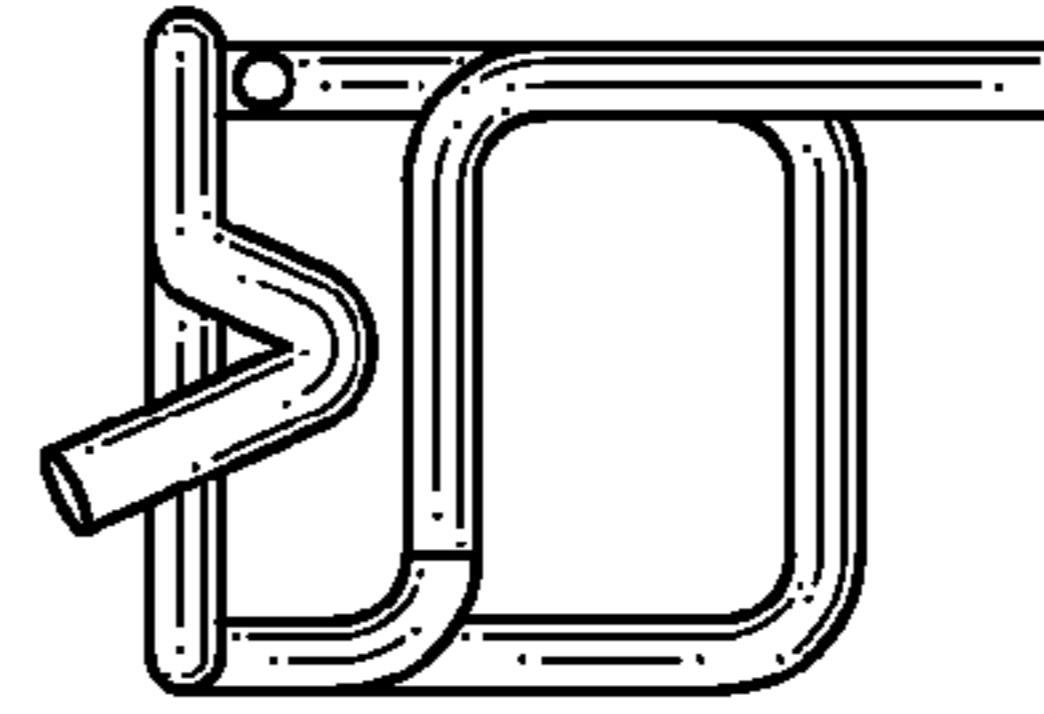


FIG. 6

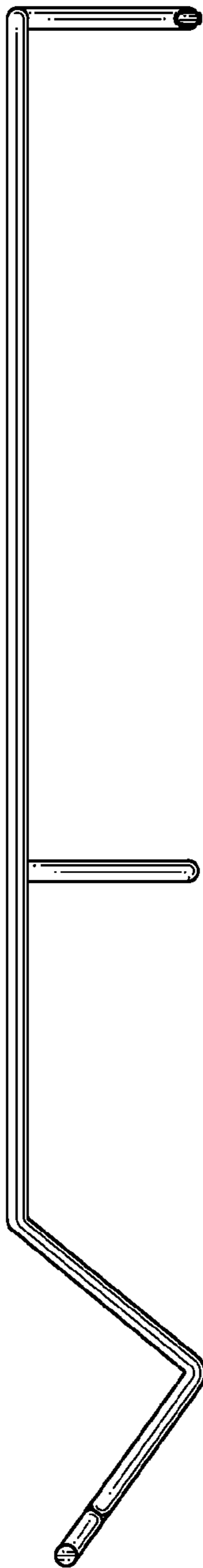


FIG. 3

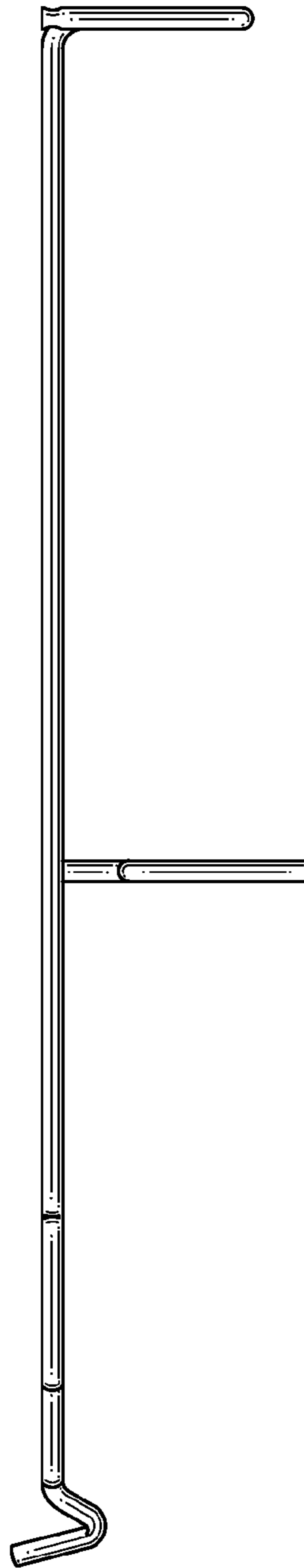


FIG. 5