



US00D632858S

(12) **United States Design Patent**  
**Sgroi et al.**

(10) **Patent No.:** **US D632,858 S**  
(45) **Date of Patent:** **\*\* Feb. 15, 2011**

(54) **WINDOW CLEANING TOOL**

**DESCRIPTION**

- (75) Inventors: **Anthony Sgroi**, Wallingford, CT (US);  
**David Quinlan**, Plantsville, CT (US);  
**Kai Hirsch**, Solingen (DE)
  - (73) Assignee: **Unger Marketing International, LLC**,  
Bridgeport, CT (US)
  - (\*\*) Term: **14 Years**
  - (21) Appl. No.: **29/360,768**
  - (22) Filed: **Apr. 30, 2010**
  - (51) **LOC (9) Cl.** ..... **04-01**
  - (52) **U.S. Cl.** ..... **D32/41; D8/107**
  - (58) **Field of Classification Search** ..... **D32/40-45;**  
15/245, 245.1, 227; **D8/107; 16/110.1, DIG. 12,**  
16/DIG. 19
- See application file for complete search history.

(56) **References Cited**

**U.S. PATENT DOCUMENTS**

D298,072 S *	10/1988	Stirling	.....	D32/40
D386,063 S *	11/1997	Badiali	.....	D8/107
D525,511 S *	7/2006	Hung	.....	D8/107
D551,530 S *	9/2007	Hirsch	.....	D8/83
D588,767 S *	3/2009	Libman et al.	.....	D32/41
D618,981 S *	7/2010	Gringer	.....	D8/107

\* cited by examiner

*Primary Examiner*—Robin V Webster

(74) *Attorney, Agent, or Firm*—Ohlandt, Greeley, Ruggiero & Perle, L.L.P.

(57) **CLAIM**

The ornamental design for the window cleaning tool, as shown and described.

FIG. 1 is a front, top perspective view of a window cleaning tool according to an exemplary embodiment of the present disclosure;

FIG. 2 is a front, top perspective view of the window cleaning tool of FIG. 1, illustrating a cleaning member disposed thereon;

FIG. 3 is a front view of the window cleaning tool of FIG. 1, the rear view being identical thereto;

FIG. 4 is a side view of the window cleaning tool of FIG. 1, the opposite side view being identical thereto;

FIG. 5 is a top view of the window cleaning tool of FIG. 1;

FIG. 6 is a bottom view of the window cleaning tool of FIG. 1;

FIG. 7 is a front, top perspective view of a window cleaning tool according to an alternate exemplary embodiment of the present disclosure;

FIG. 8 is a front, top perspective view of the window cleaning tool of FIG. 7, illustrating a cleaning member disposed thereon;

FIG. 9 is a front view of the window cleaning tool of FIG. 7, the rear view being identical thereto;

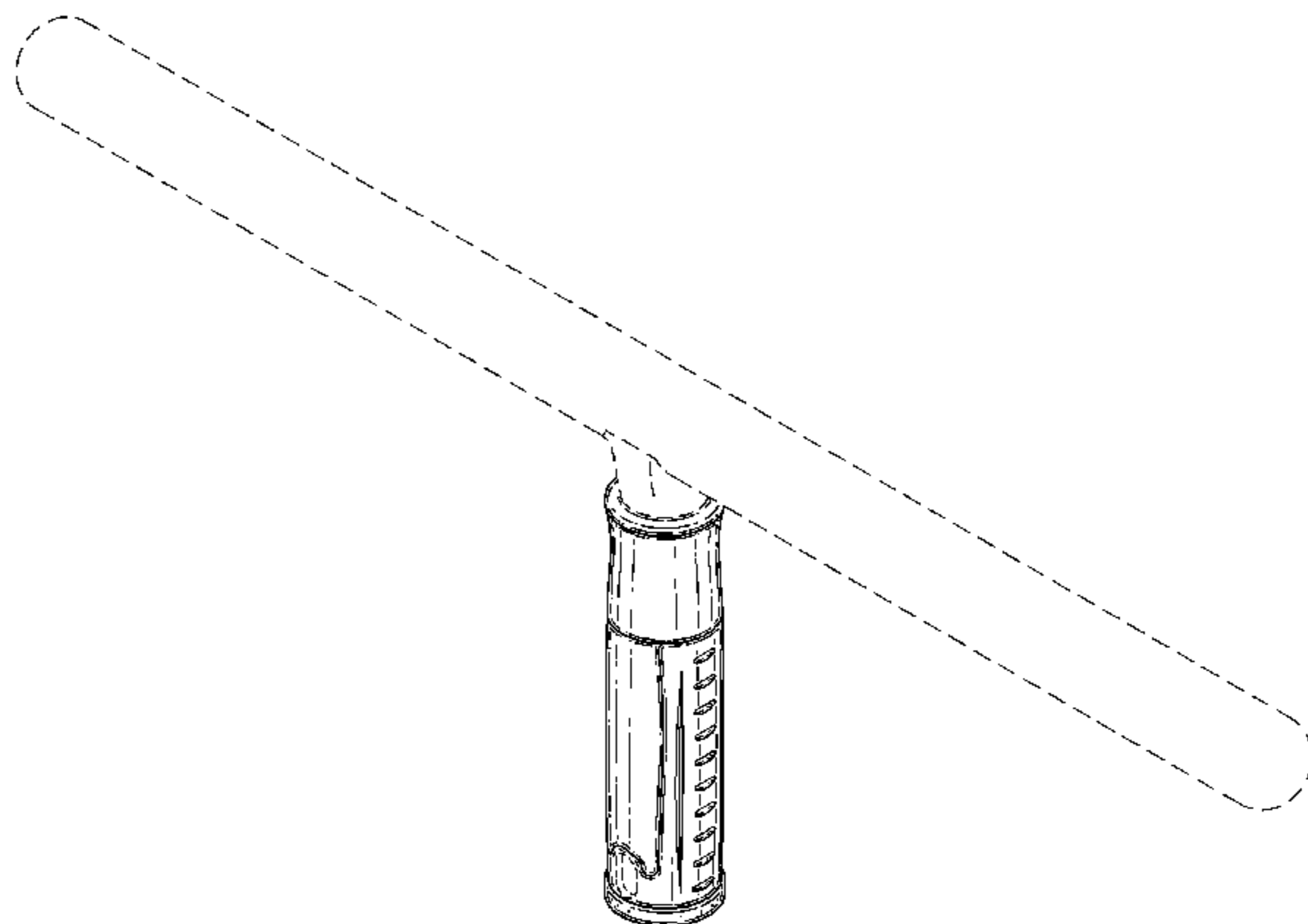
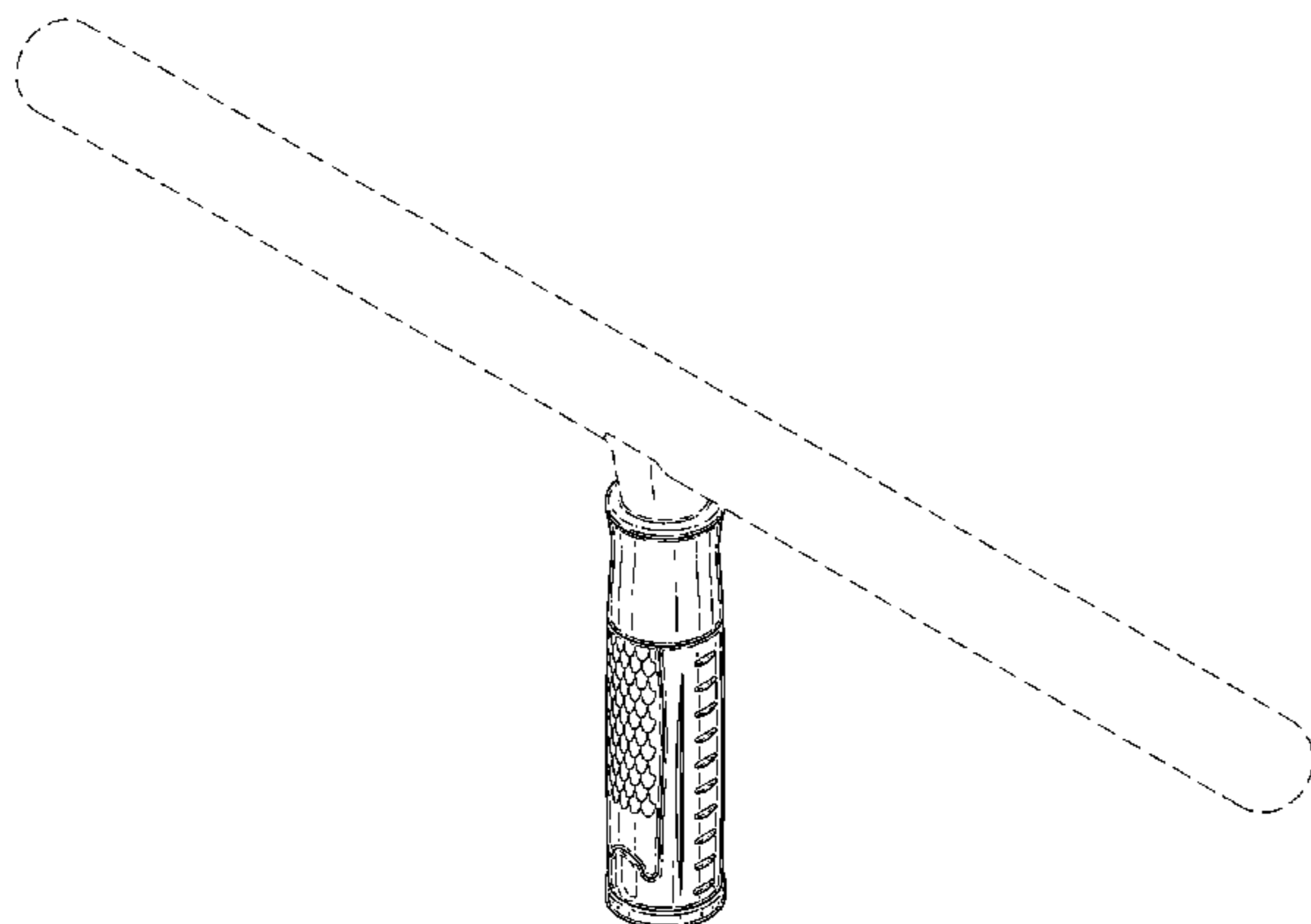
FIG. 10 is a side view of the window cleaning tool of FIG. 7, the opposite side view being identical thereto;

FIG. 11 is a top view of the window cleaning tool of FIG. 7; and,

FIG. 12 is a bottom view of the window cleaning tool of FIG. 7.

The broken lines in the drawings illustrating environmental structure or boundaries that form no part of the claimed design.

**1 Claim, 6 Drawing Sheets**



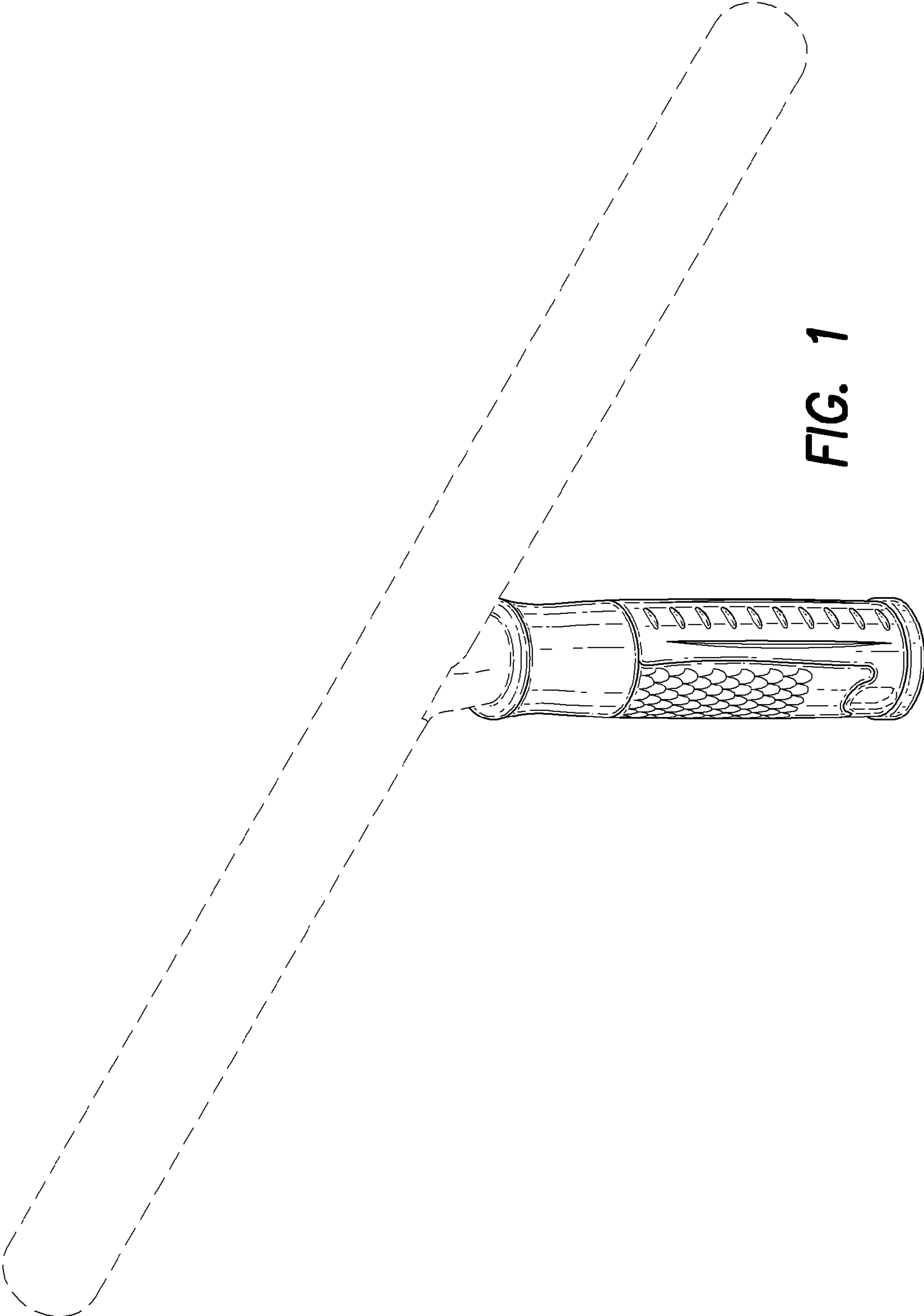


FIG. 1

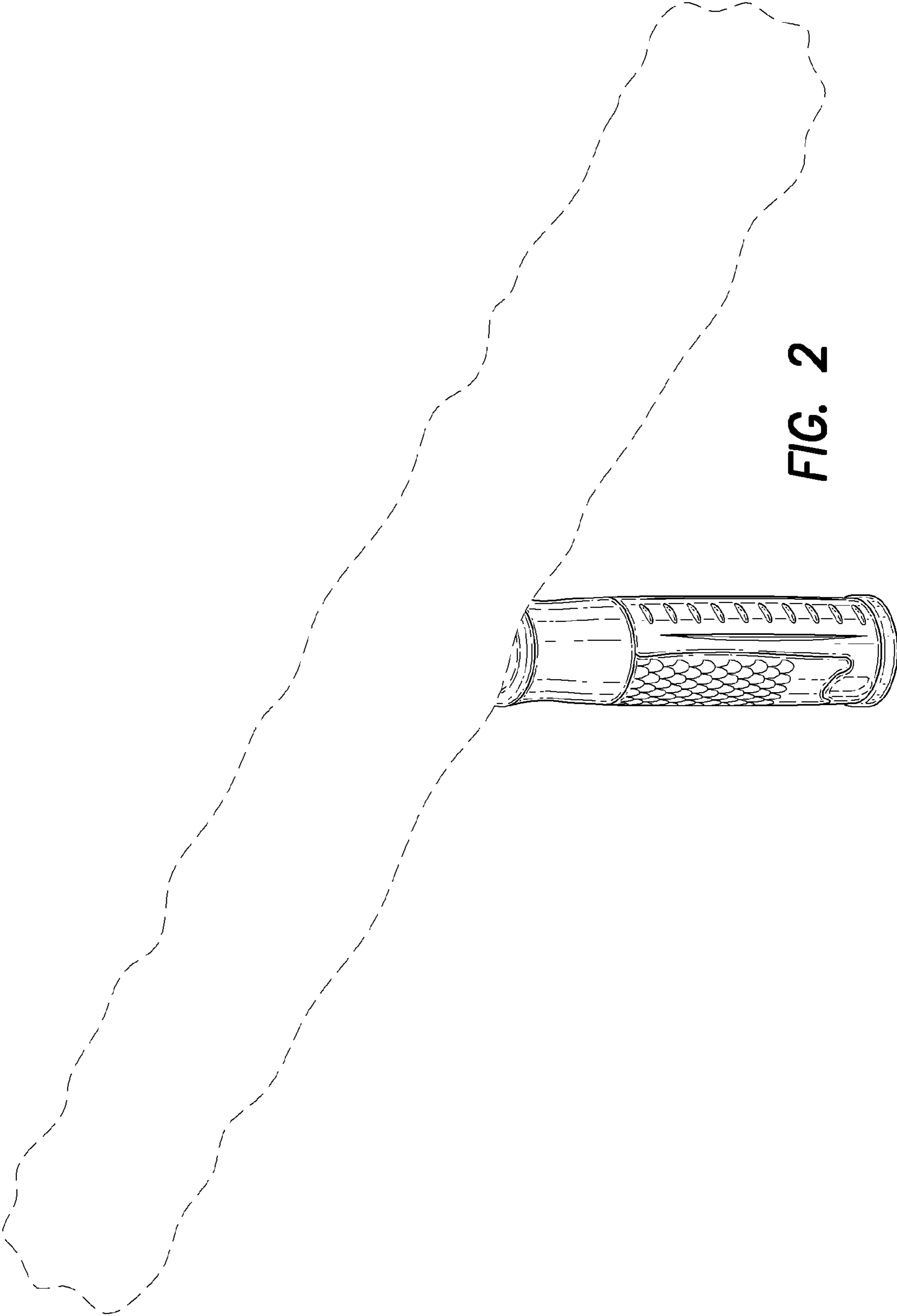
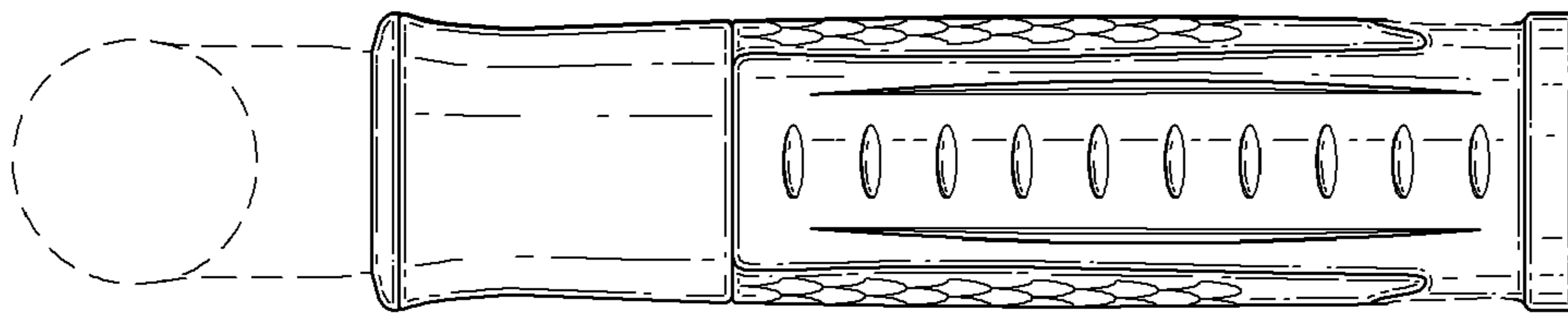
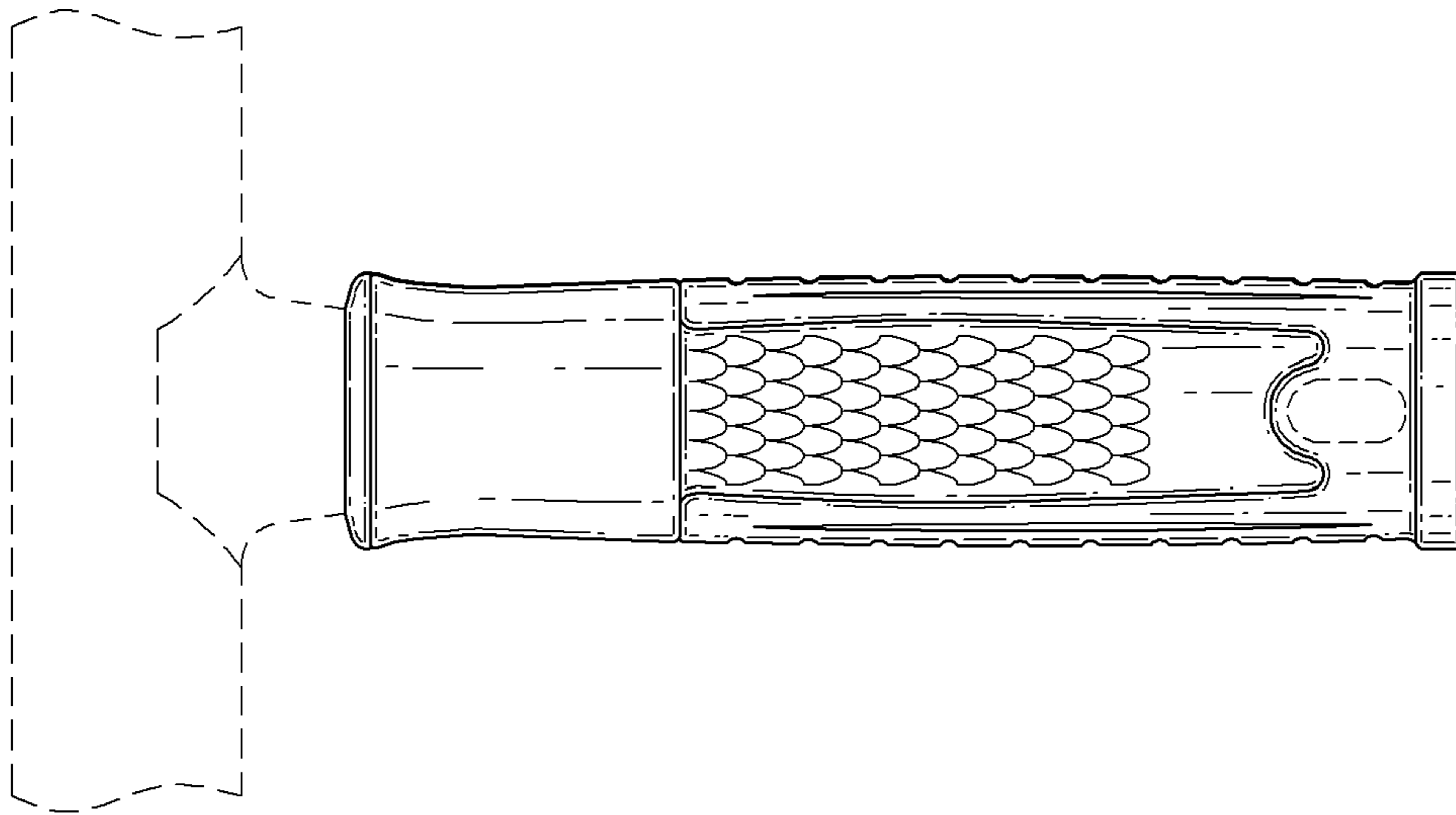


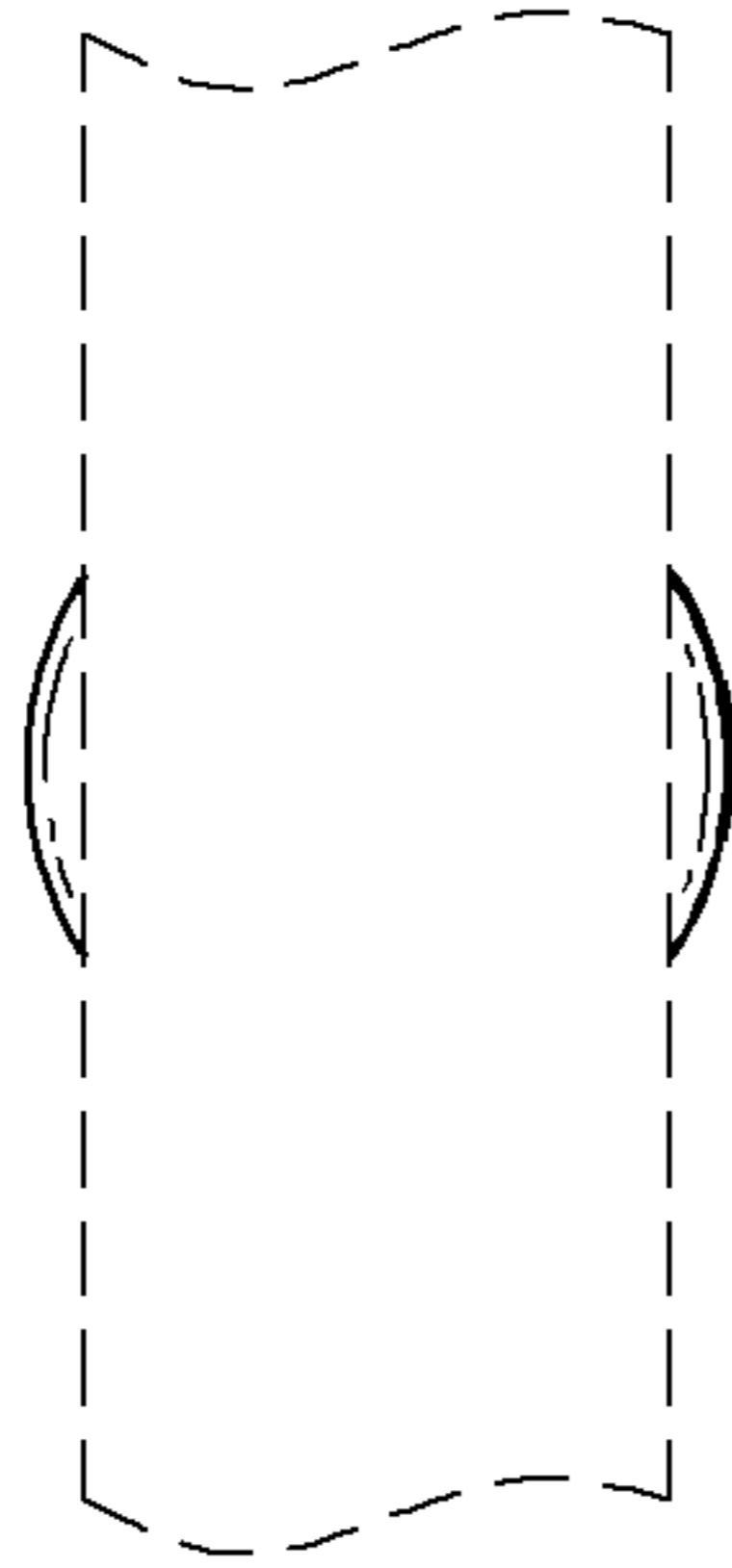
FIG. 2



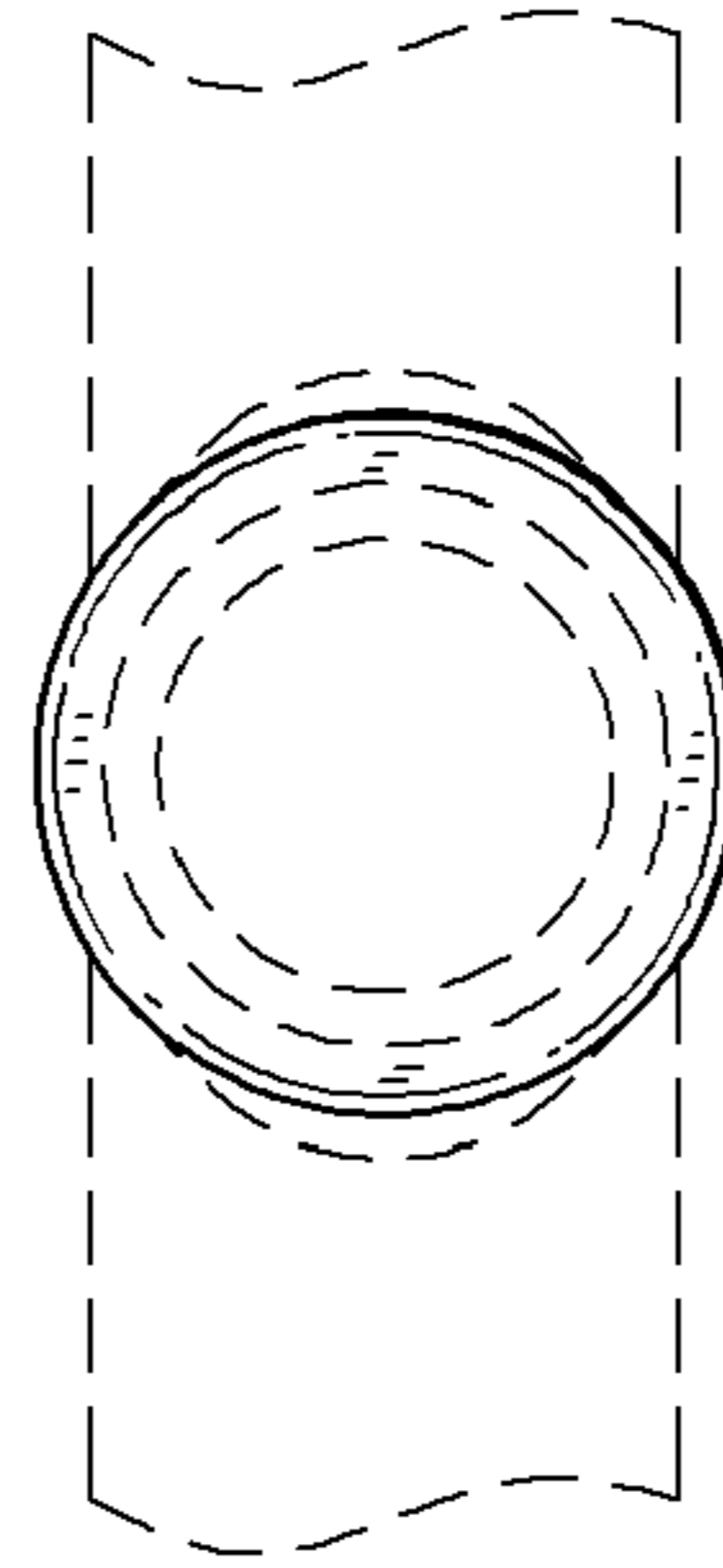
**FIG. 3**



**FIG. 4**



**FIG. 5**



**FIG. 6**

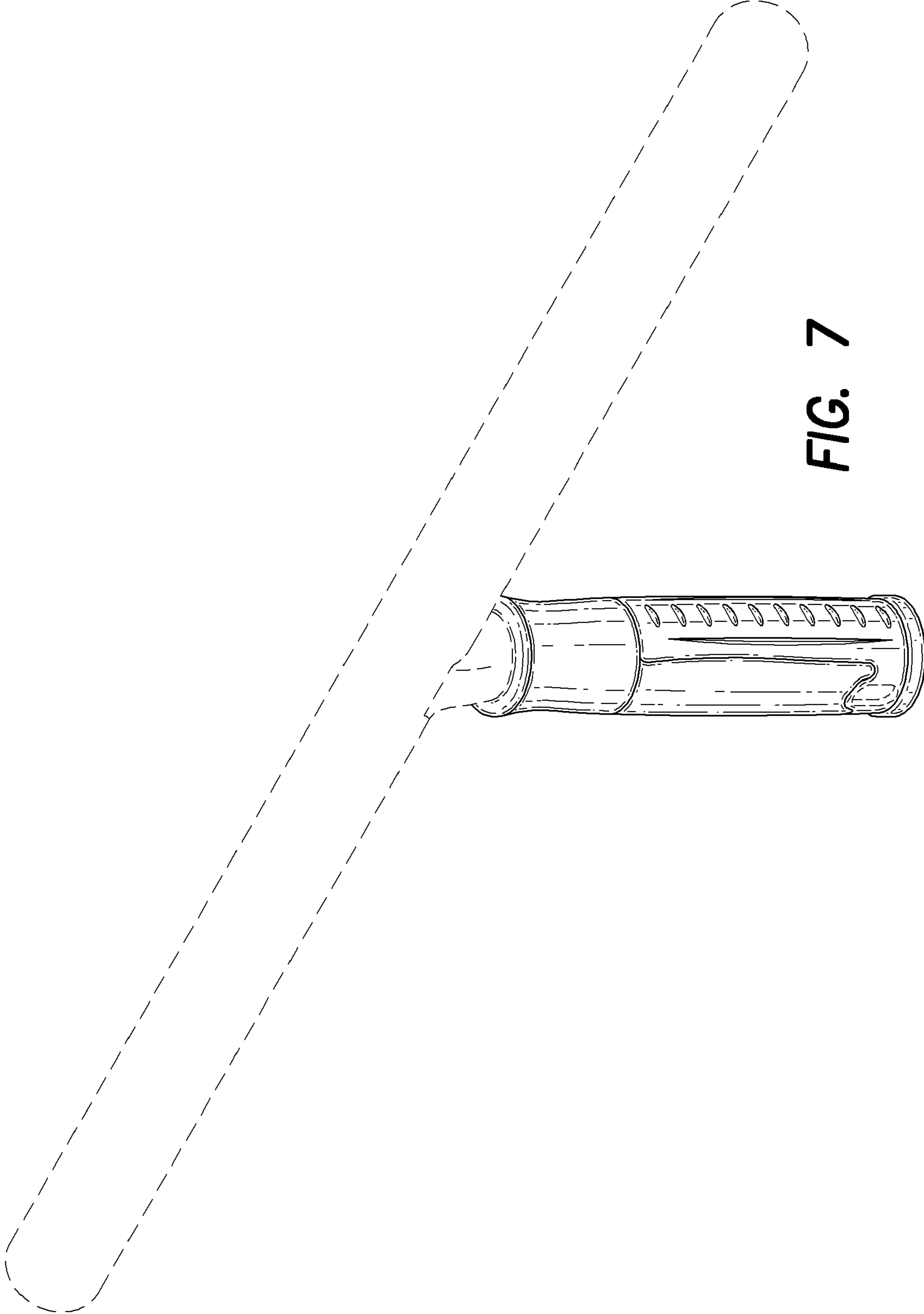
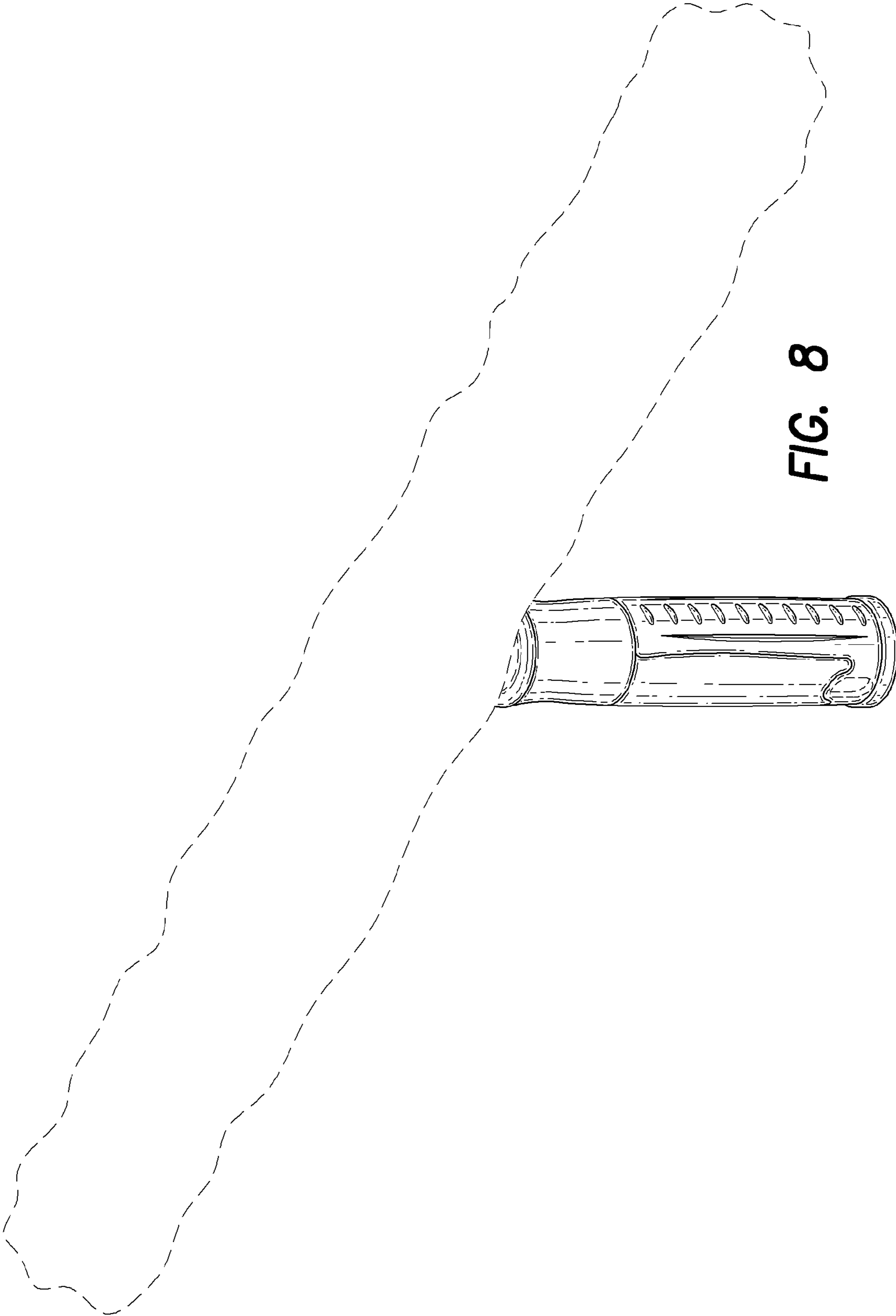
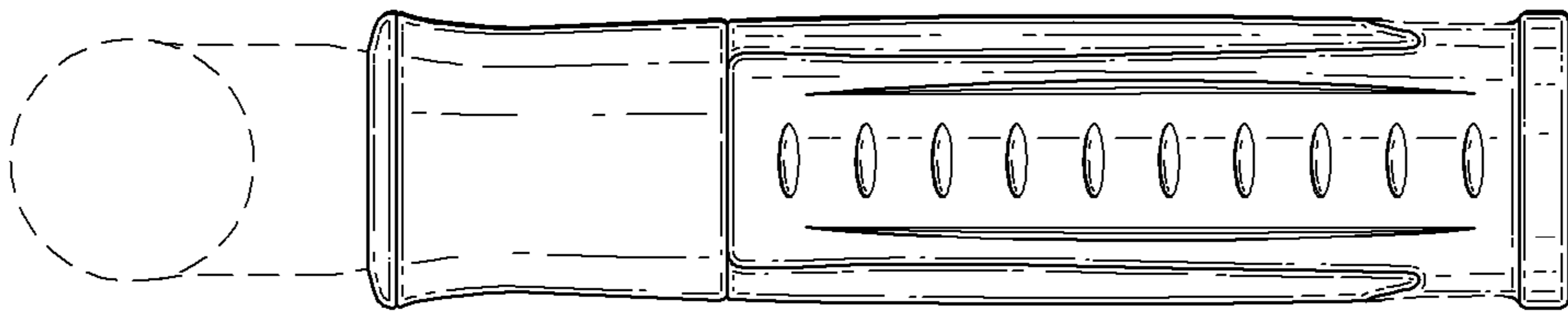
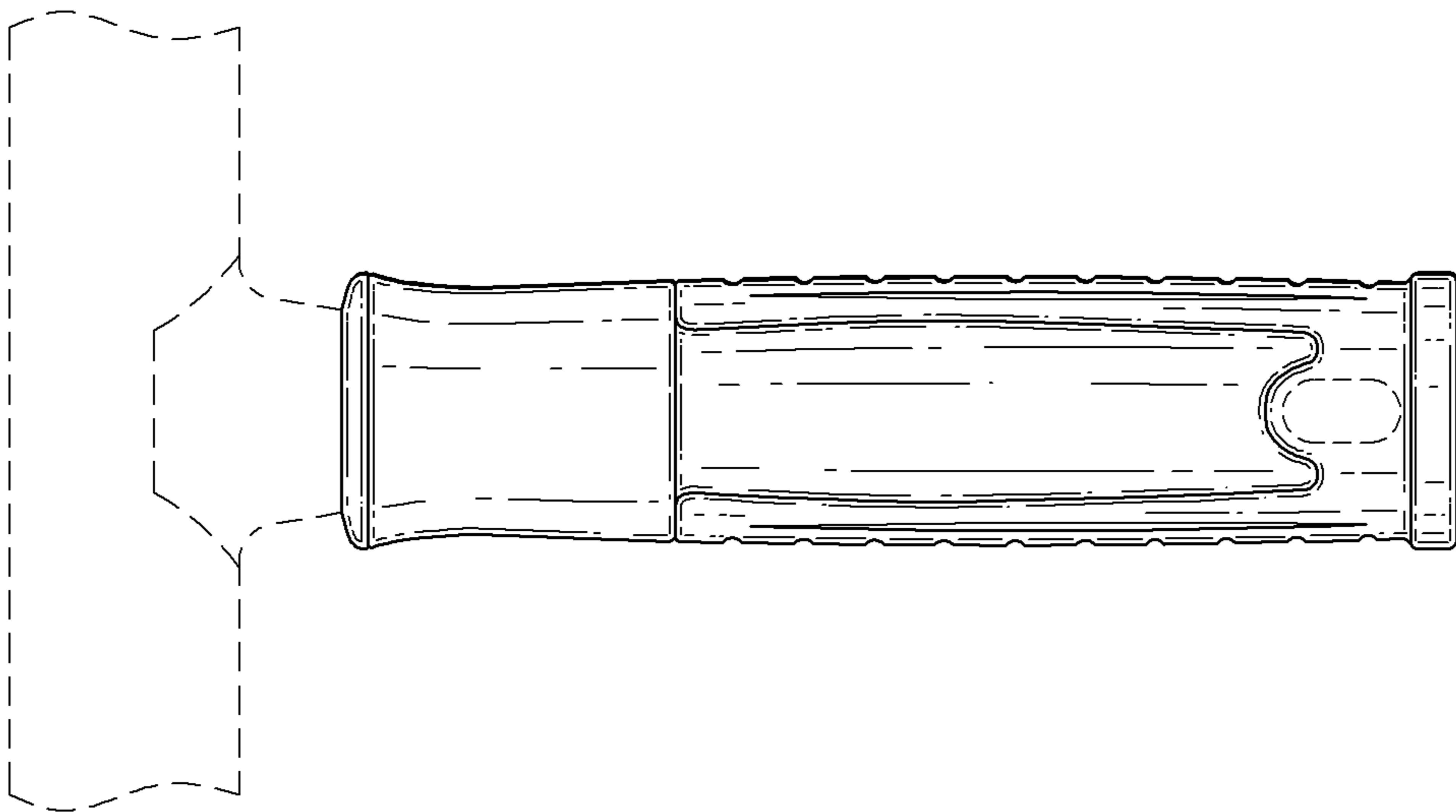


FIG. 7

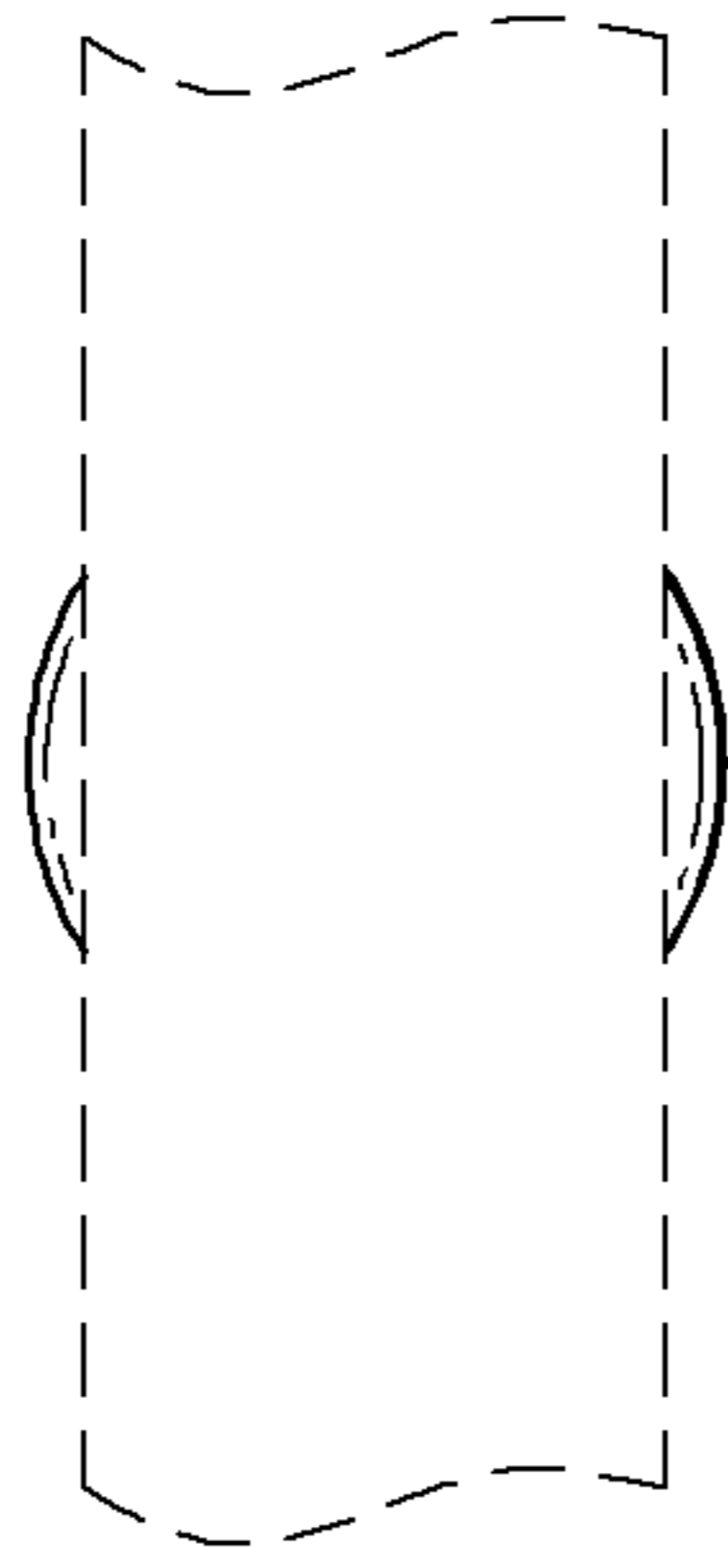




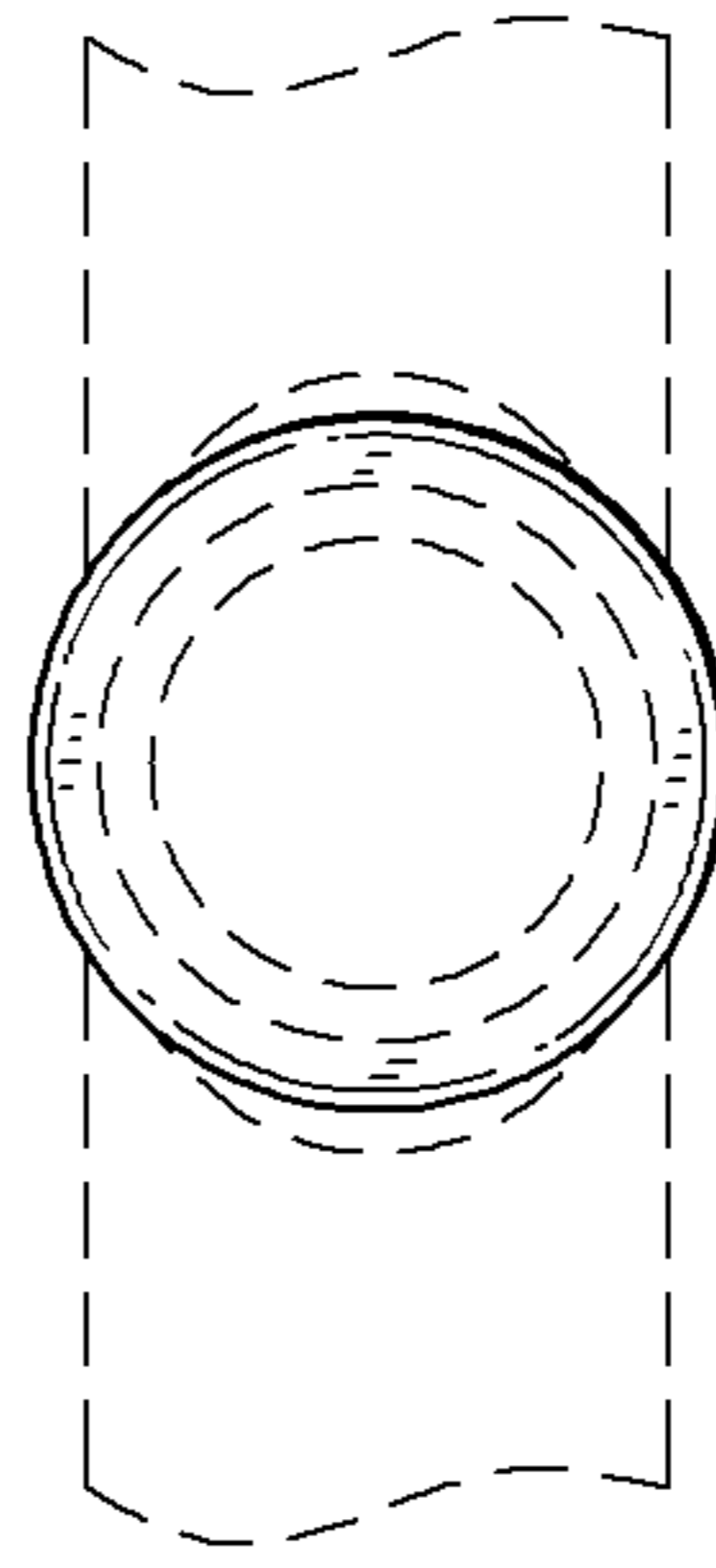
**FIG. 9**



**FIG. 10**



**FIG. 11**



**FIG. 12**