



US00D632856S

(12) **United States Design Patent**
Quinlan

(10) **Patent No.:** **US D632,856 S**

(45) **Date of Patent:** **** Feb. 15, 2011**

(54) **CLEANING TOOL GRIP**

(75) Inventor: **David Quinlan**, Plantsville, CT (US)

(73) Assignee: **Unger Marketing International, LLC.**,
Bridgeport, CT (US)

(**) Term: **14 Years**

(21) Appl. No.: **29/360,762**

(22) Filed: **Apr. 30, 2010**

(51) **LOC (9) Cl.** **04-01**

(52) **U.S. Cl.** **D32/41; D8/107**

(58) **Field of Classification Search** **D32/40-45;**
15/245, 245.1, 227; D8/107; 16/110.1, DIG. 12,
16/DIG. 19

See application file for complete search history.

(56) **References Cited**

U.S. PATENT DOCUMENTS

D386,063 S *	11/1997	Badiali	D8/107
D525,511 S *	7/2006	Hung	D8/107
D551,530 S *	9/2007	Hirsch	D8/83
D588,767 S *	3/2009	Libman et al.	D32/41
D618,981 S *	7/2010	Gringer	D8/107

* cited by examiner

Primary Examiner—Robin V Webster

(74) *Attorney, Agent, or Firm*—Ohlandt, Greeley, Ruggiero & Perle, L.L.P.

(57) **CLAIM**

The ornamental design for the cleaning tool grip, as shown and described.

DESCRIPTION

FIG. 1 is a front, top perspective view of a cleaning tool grip according to an exemplary embodiment of the present disclosure;

FIG. 2 is a rear, bottom perspective view of the cleaning tool grip of FIG. 1;

FIG. 3 is a front view of the cleaning tool grip of FIG. 1;

FIG. 4 is a rear view of the cleaning tool grip of FIG. 1;

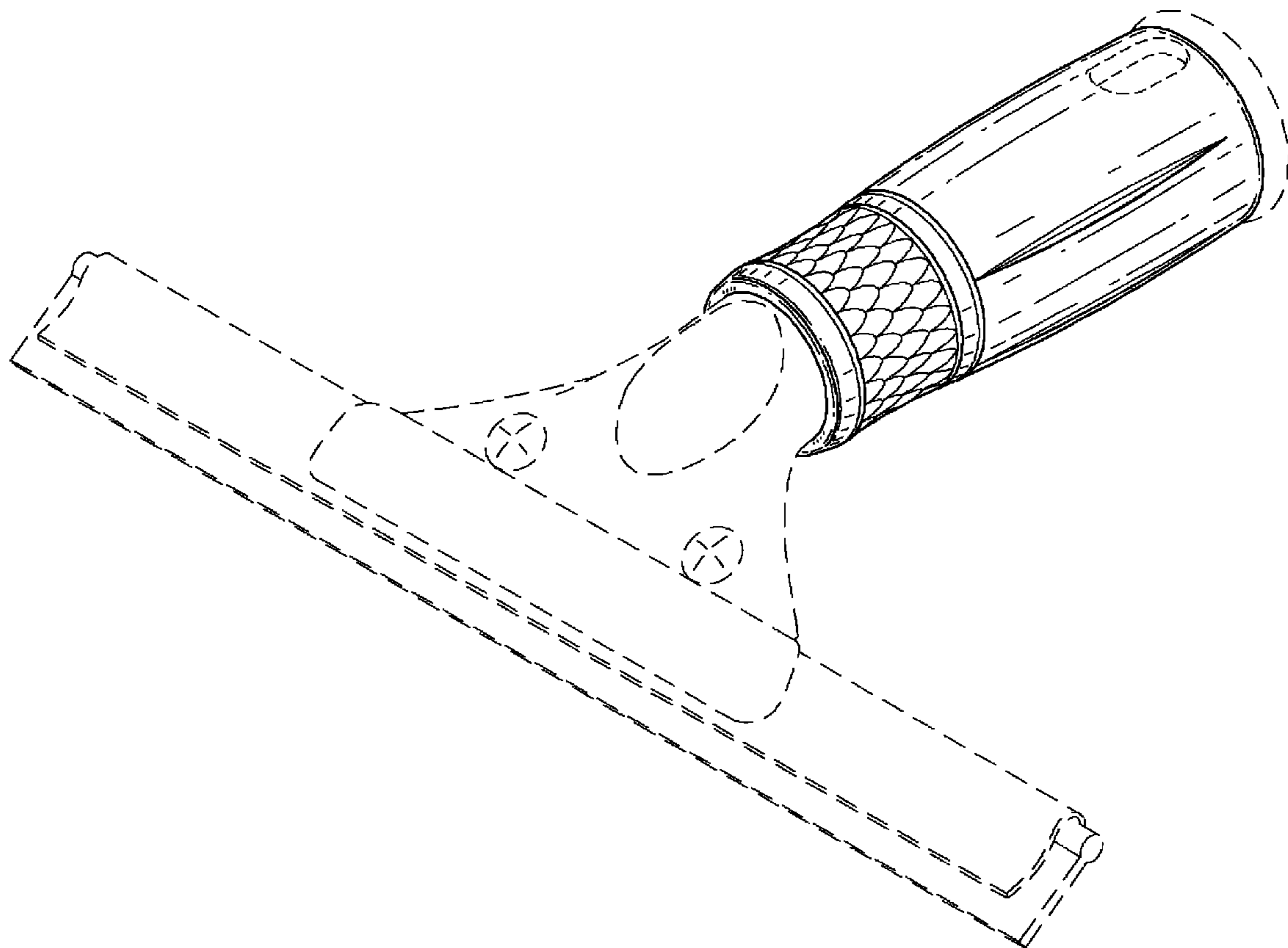
FIG. 5 is a side view of the cleaning tool grip of FIG. 1, the opposite side being identical thereto;

FIG. 6 is a top view of the cleaning tool grip of FIG. 1; and,

FIG. 7 is a bottom view of the cleaning tool grip of FIG. 1.

The broken lines in the drawings illustrating environmental structure or boundaries that form no part of the claimed design.

1 Claim, 6 Drawing Sheets



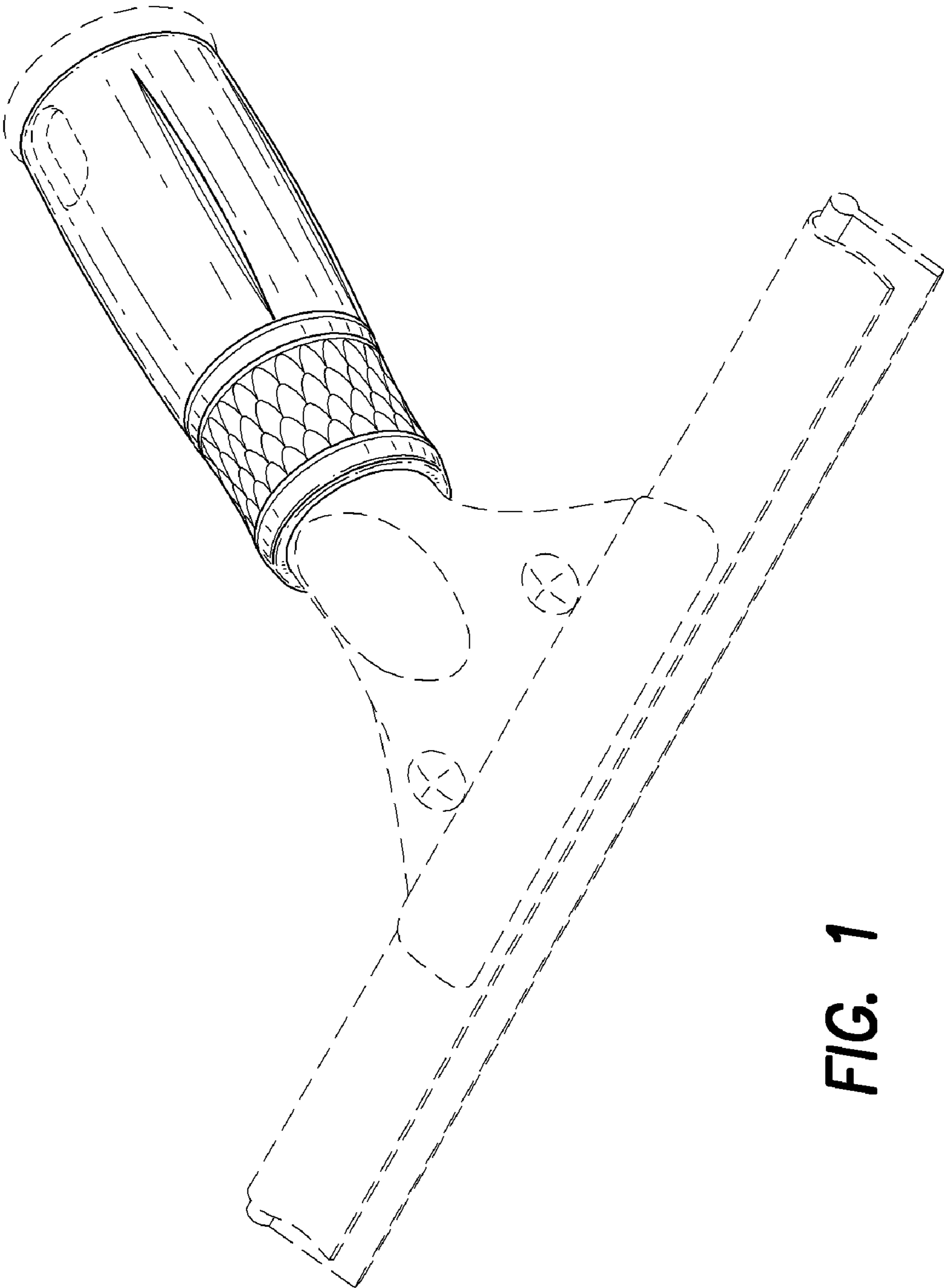


FIG. 1

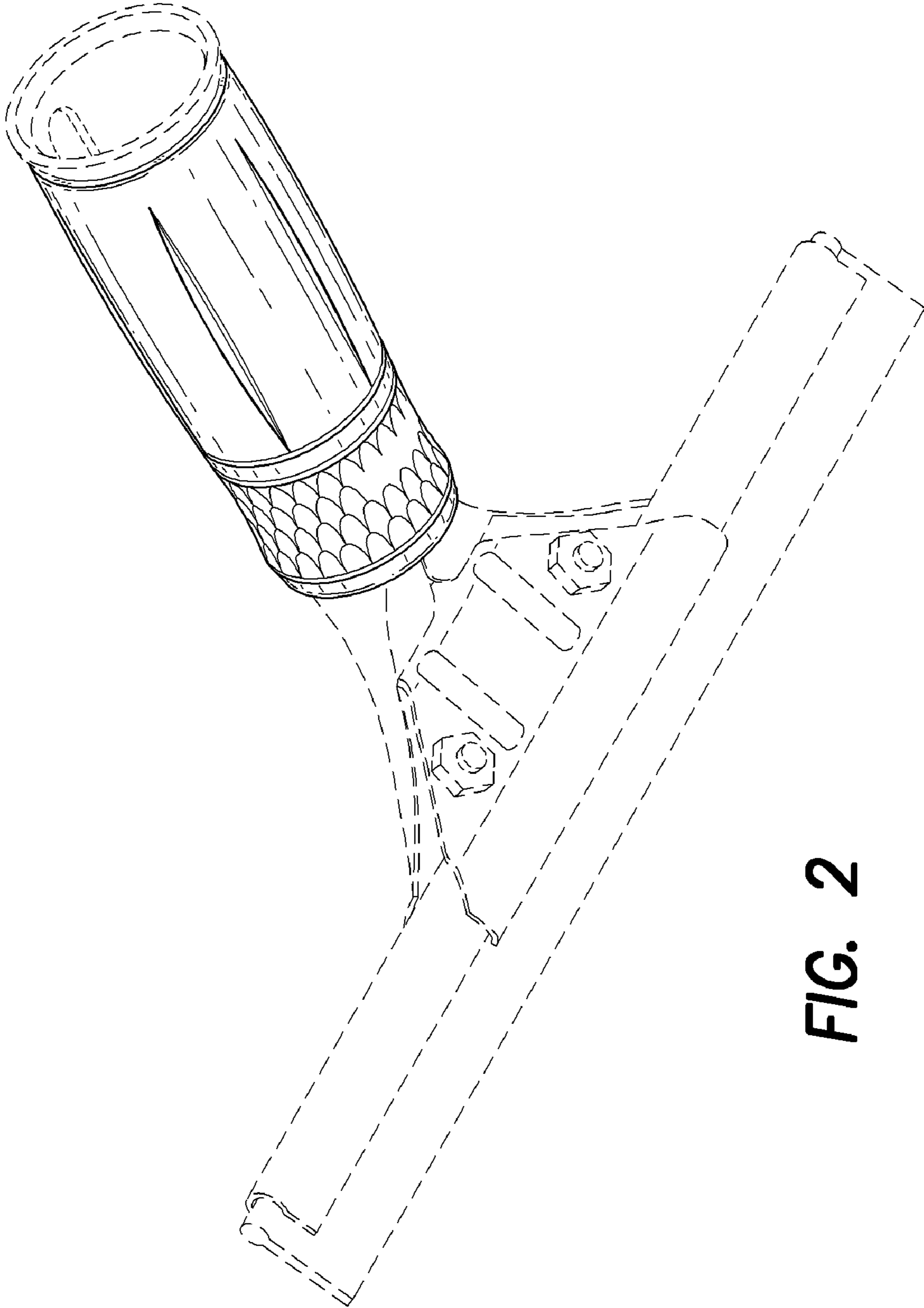


FIG. 2

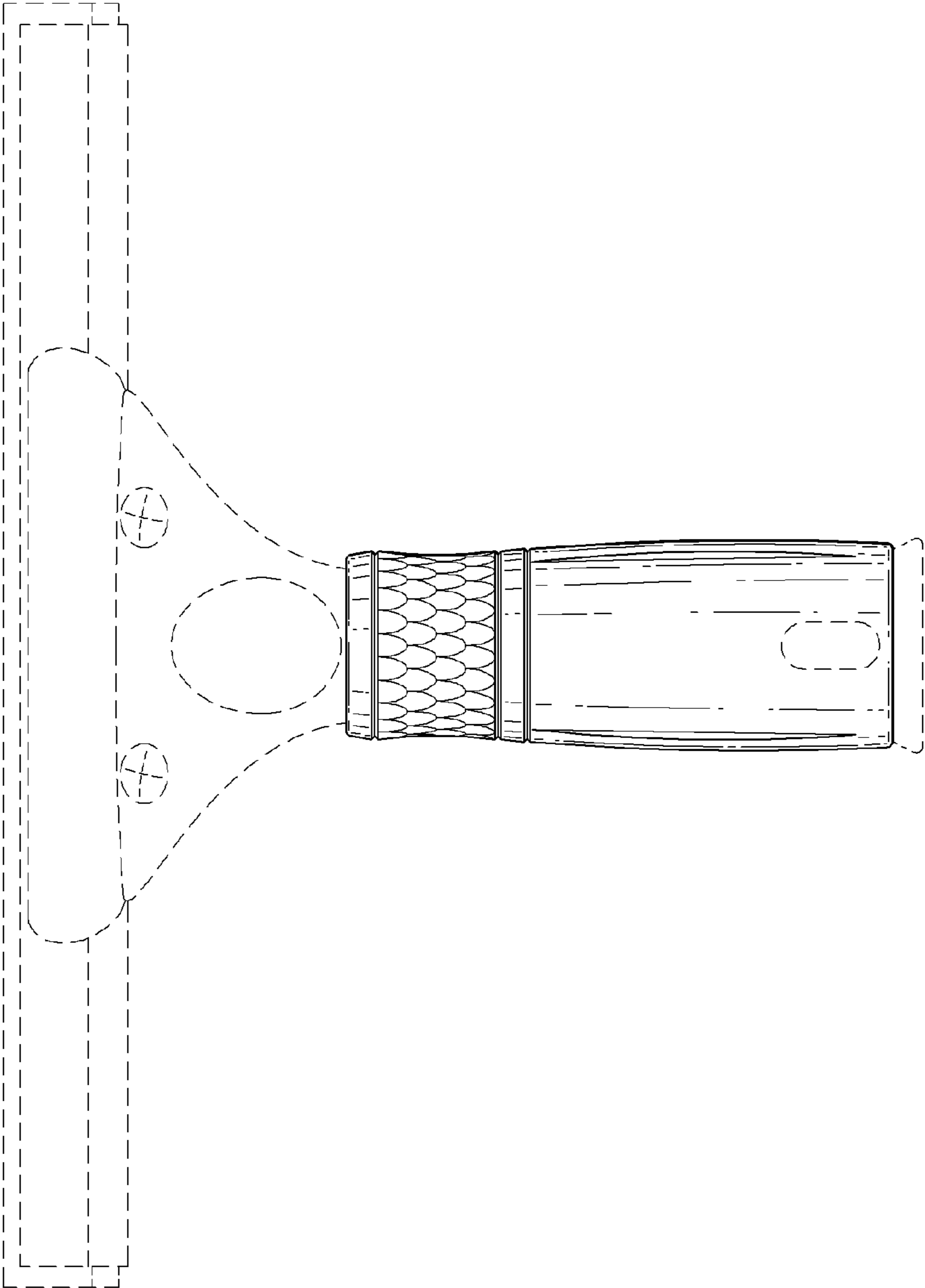


FIG. 3

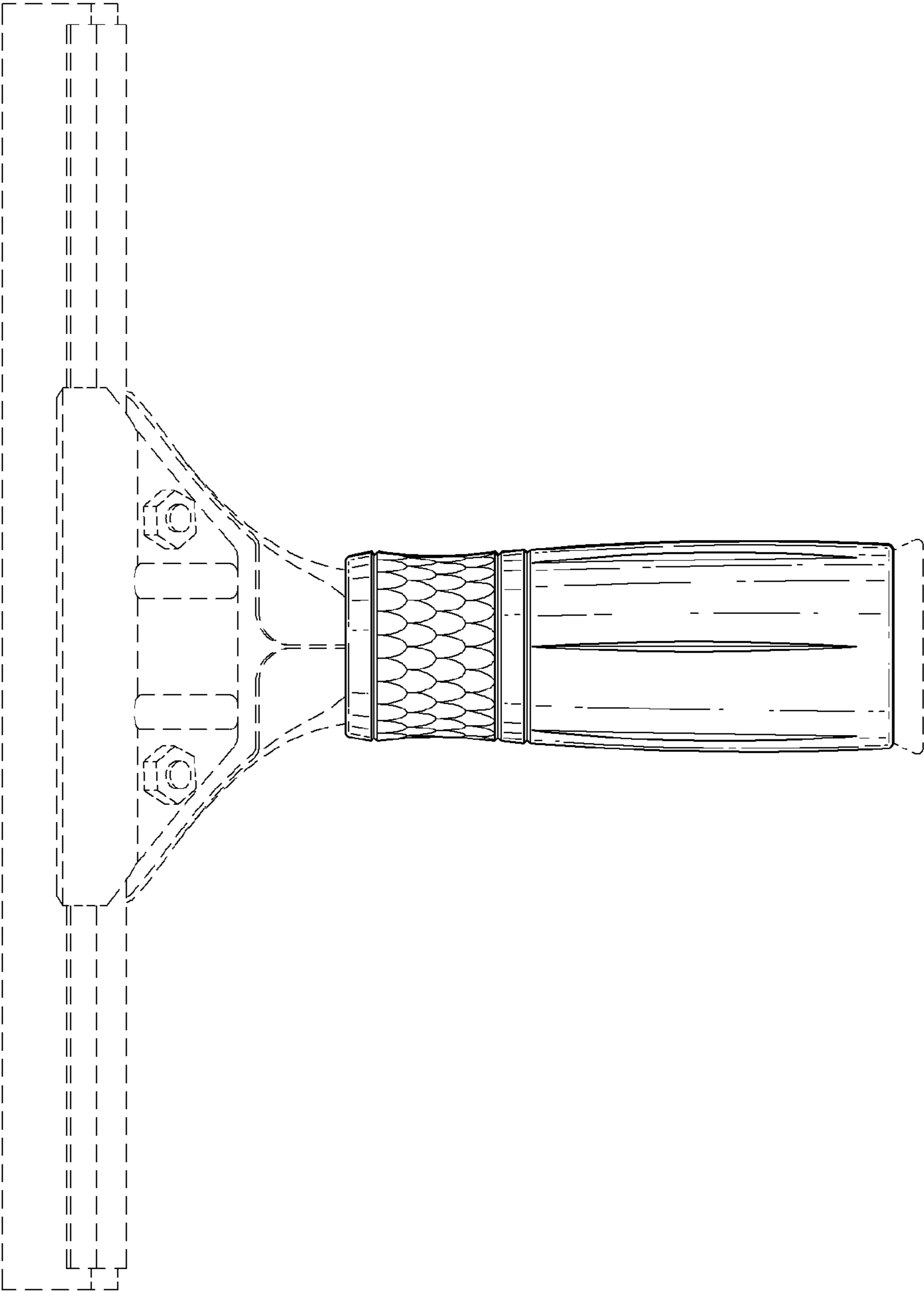


FIG. 4

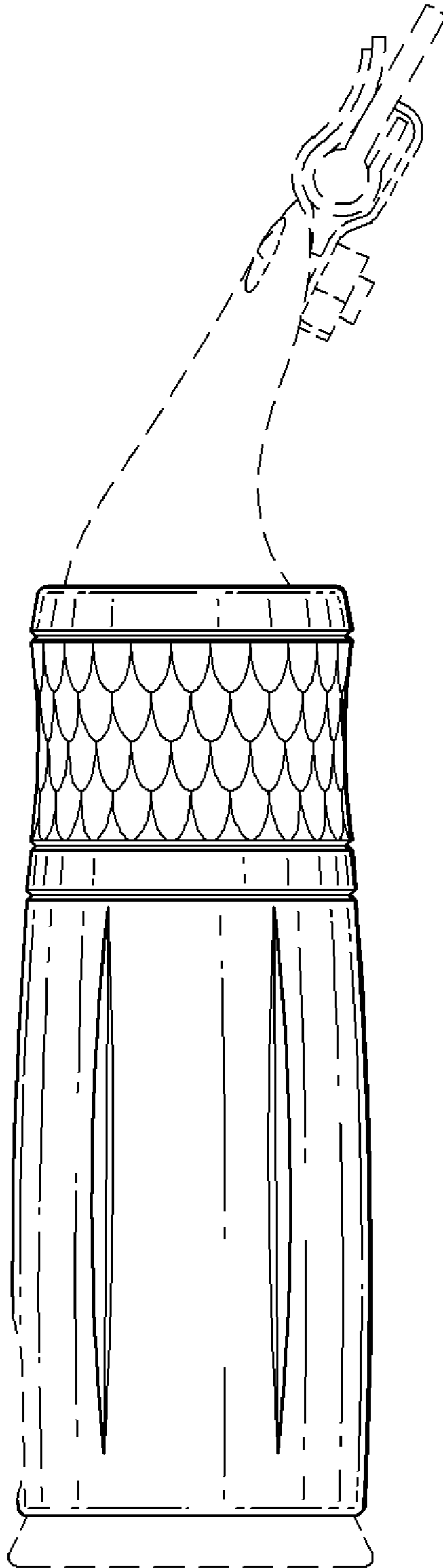


FIG. 5

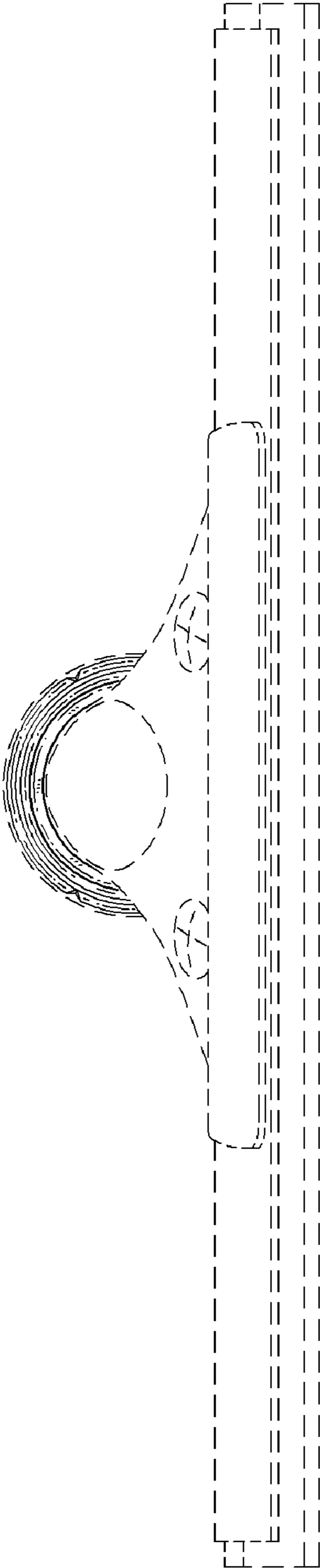


FIG. 6

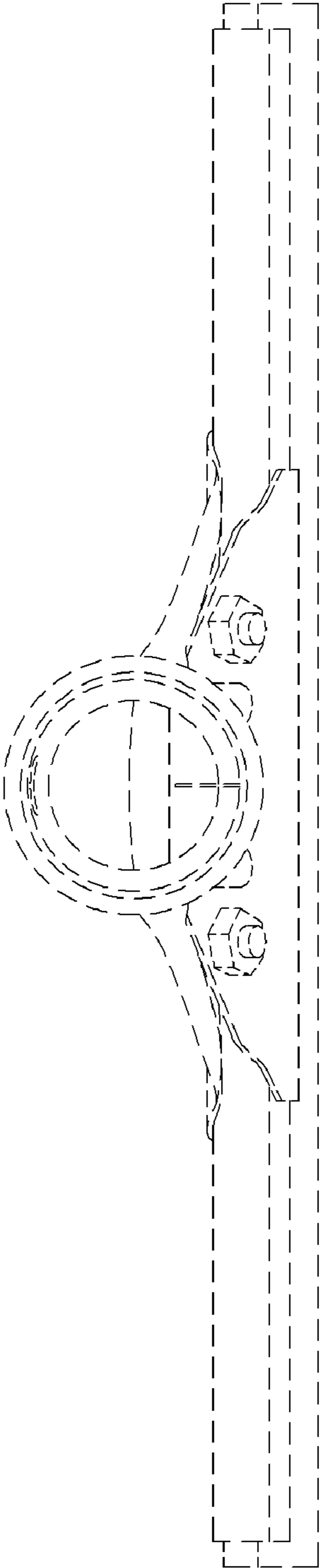


FIG. 7