



US00D632854S

(12) **United States Design Patent**
Witter

(10) **Patent No.:** **US D632,854 S**

(45) **Date of Patent:** **** Feb. 15, 2011**

(54) **AUXILIARY CYCLONIC DUST COLLECTOR CONTAINER**

(76) **Inventor:** **Robert M. Witter**, 150 Robineau Rd.,
Syracuse, NY (US) 13207

(**) **Term:** **14 Years**

(21) **Appl. No.:** **29/358,497**

(22) **Filed:** **Mar. 29, 2010**

(51) **LOC (9) Cl.** **15-05**

(52) **U.S. Cl.** **D32/21**

(58) **Field of Classification Search** D32/1,
D32/21, 31, 25, 23-24; 55/356, 315, 337,
55/346, 472, 343, 429, 428, DIG. 3, 459.1,
55/345, 336, 342; 95/273; D15/138, 141;
451/453, 456, 451; 15/347; D23/393, 394,
D23/391, 386, 387; 285/7, 424, 179, 134.1,
285/189; 454/306

See application file for complete search history.

(56) **References Cited**

U.S. PATENT DOCUMENTS

5,089,037 A * 2/1992 Marsolais 55/357
D482,827 S * 11/2003 Storer et al. D32/21
D482,828 S * 11/2003 Storer et al. D32/21
D502,297 S * 2/2005 Cheng D32/21

D533,321 S * 12/2006 Peng D32/21
D566,350 S * 4/2008 Leasure D32/21
D593,264 S * 5/2009 Lin D32/21
D596,358 S * 7/2009 Witter et al. D32/21
D596,816 S * 7/2009 Leasure et al. D32/21
D604,464 S * 11/2009 Witter D32/21
2005/0076624 A1 * 4/2005 Cho 55/356

* cited by examiner

Primary Examiner—Ruth McInroy

(57) **CLAIM**

The ornamental design for an auxiliary cyclonic dust collector container, as shown and described.

DESCRIPTION

FIG. 1 is a perspective view of an auxiliary cyclonic dust collector container showing my new design;

FIG. 2 is a top plan view thereof;

FIG. 3 is a right side elevation view thereof;

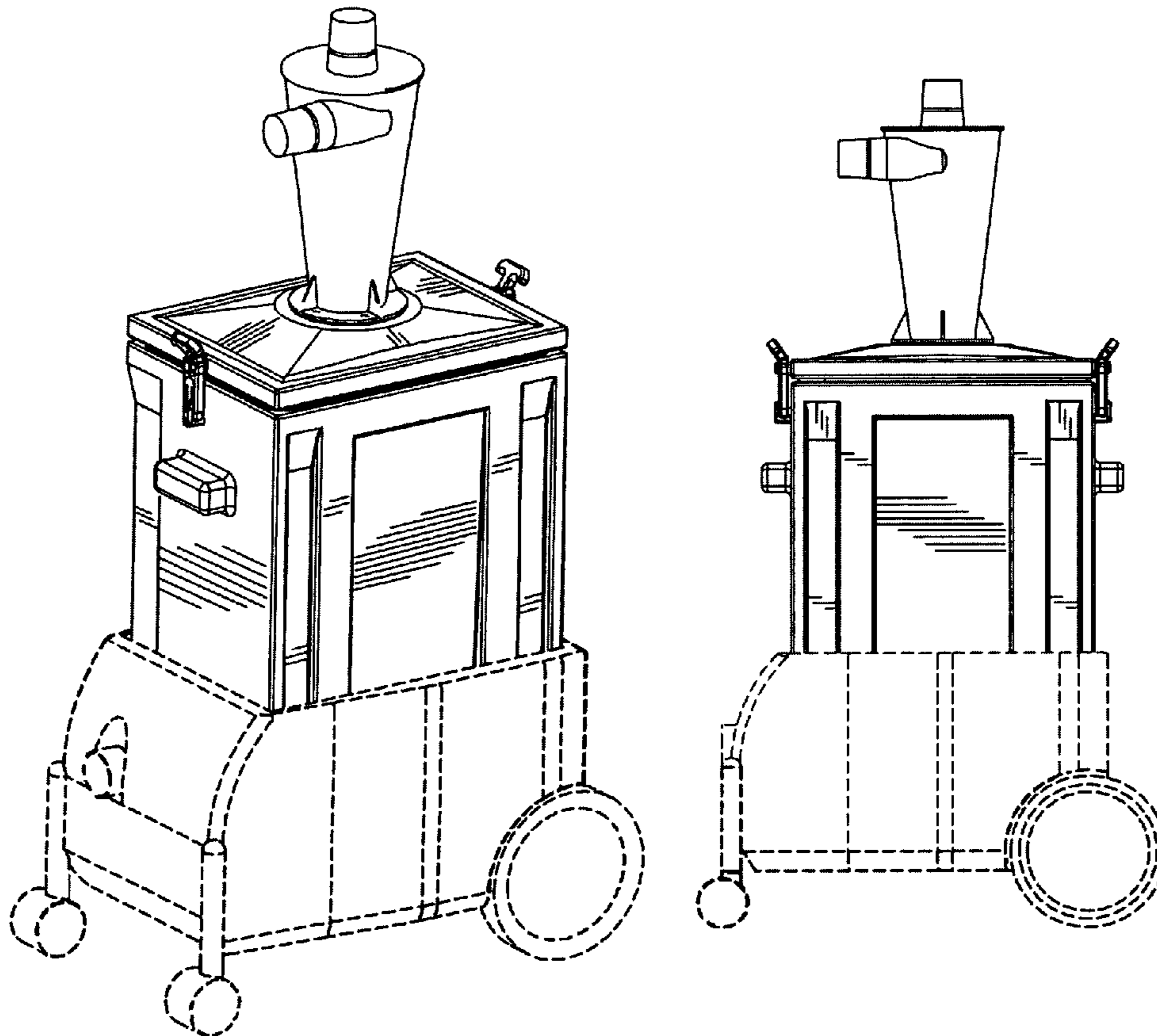
FIG. 4 is a front elevation view thereof;

FIG. 5 is a left side elevation view thereof; and,

FIG. 6 is a rear elevation view thereof.

The details shown in broken lines form no part of the claimed design.

1 Claim, 3 Drawing Sheets



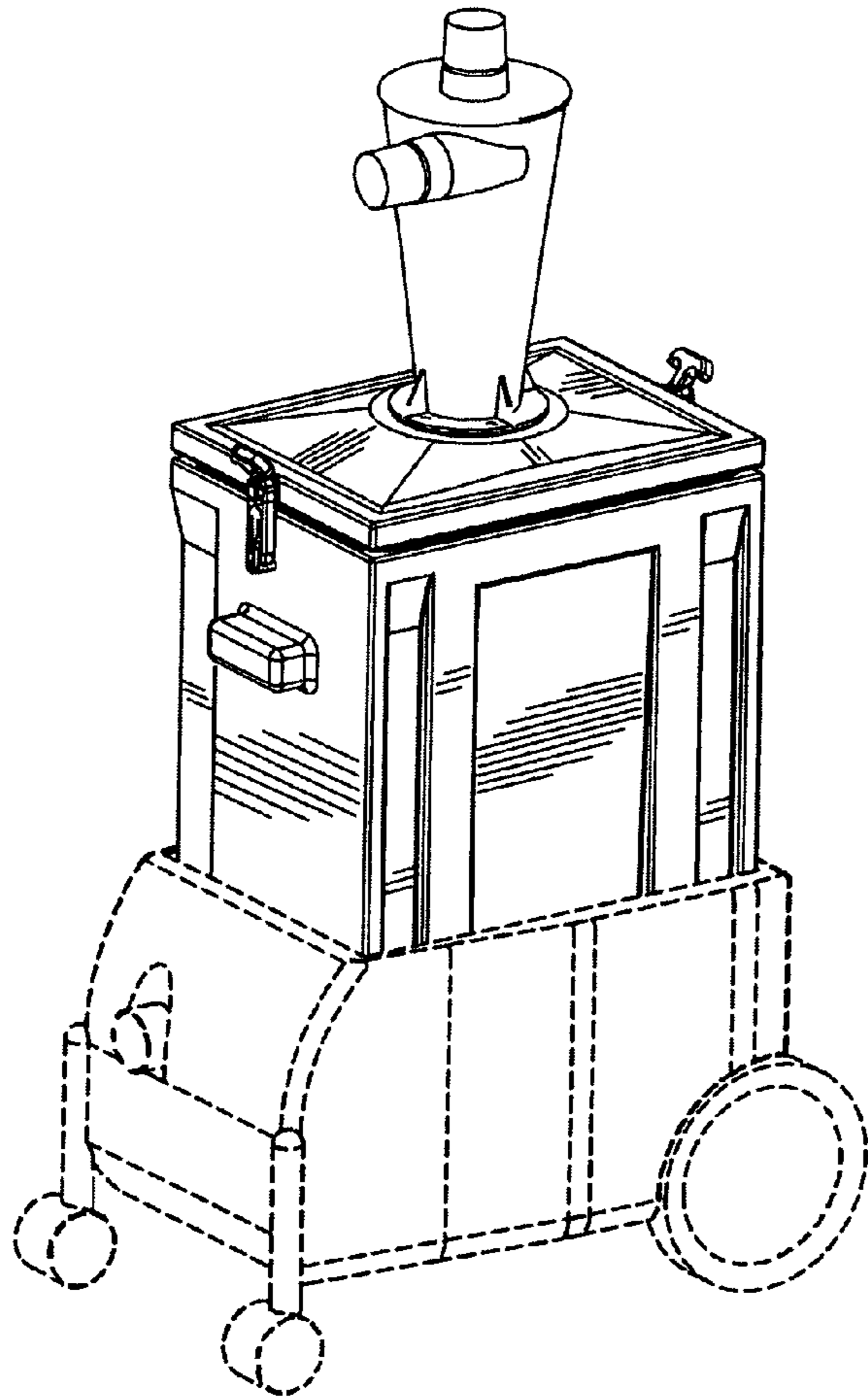


FIG. 1

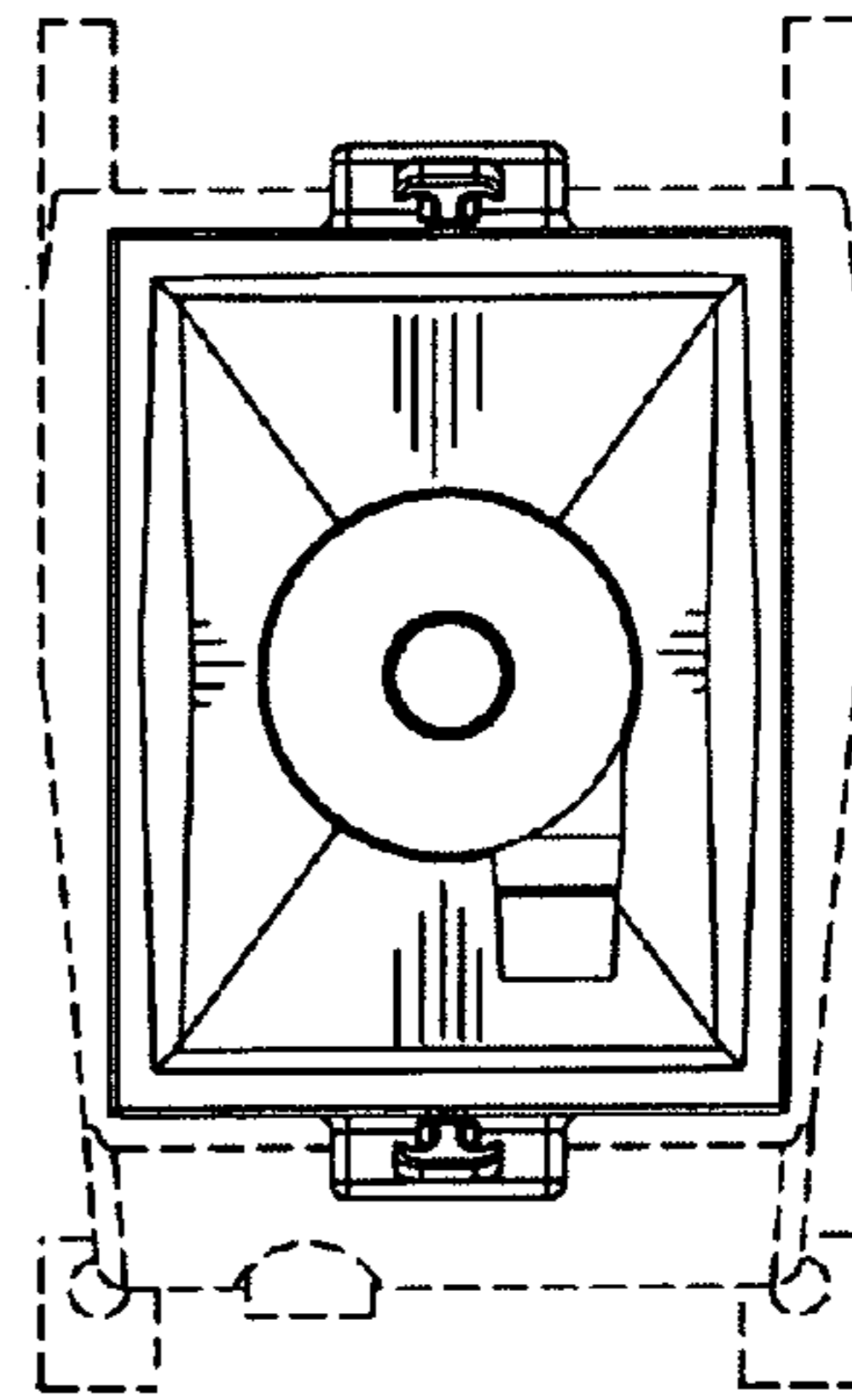


FIG. 2

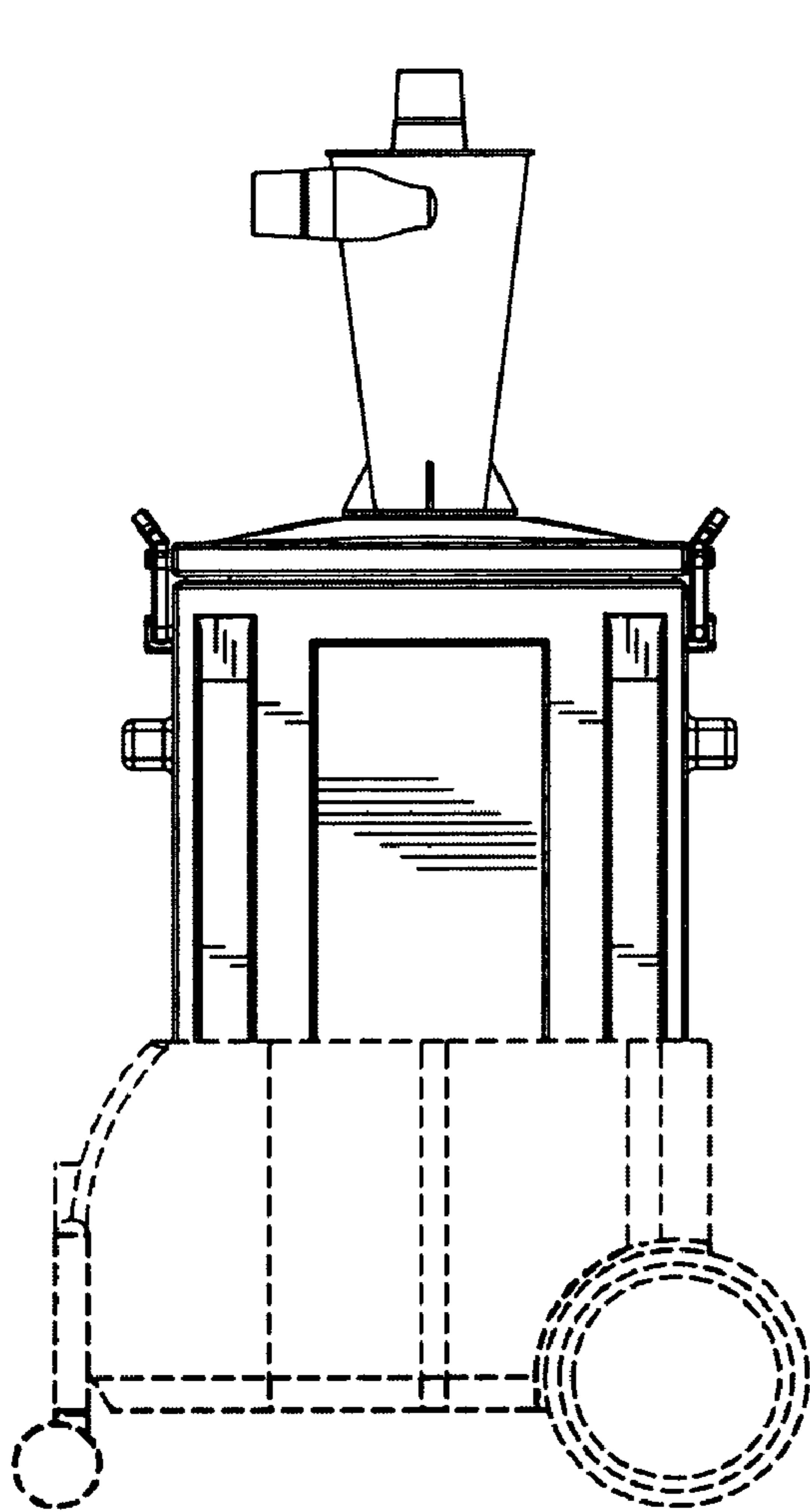


FIG. 3

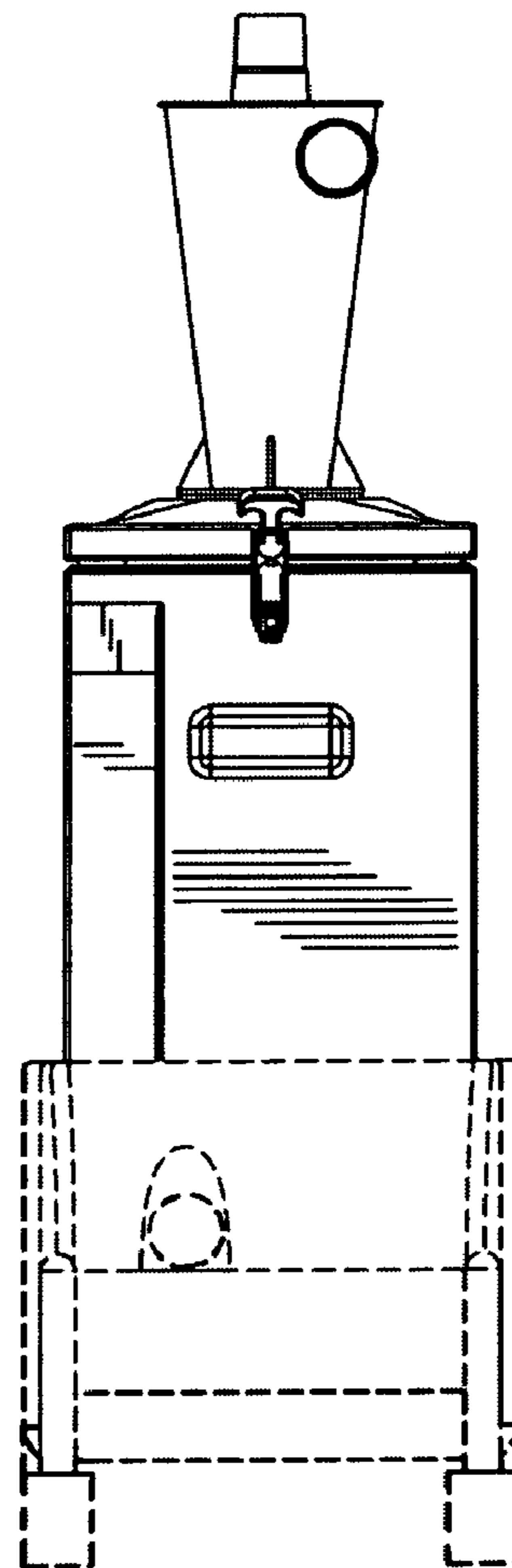


FIG. 4

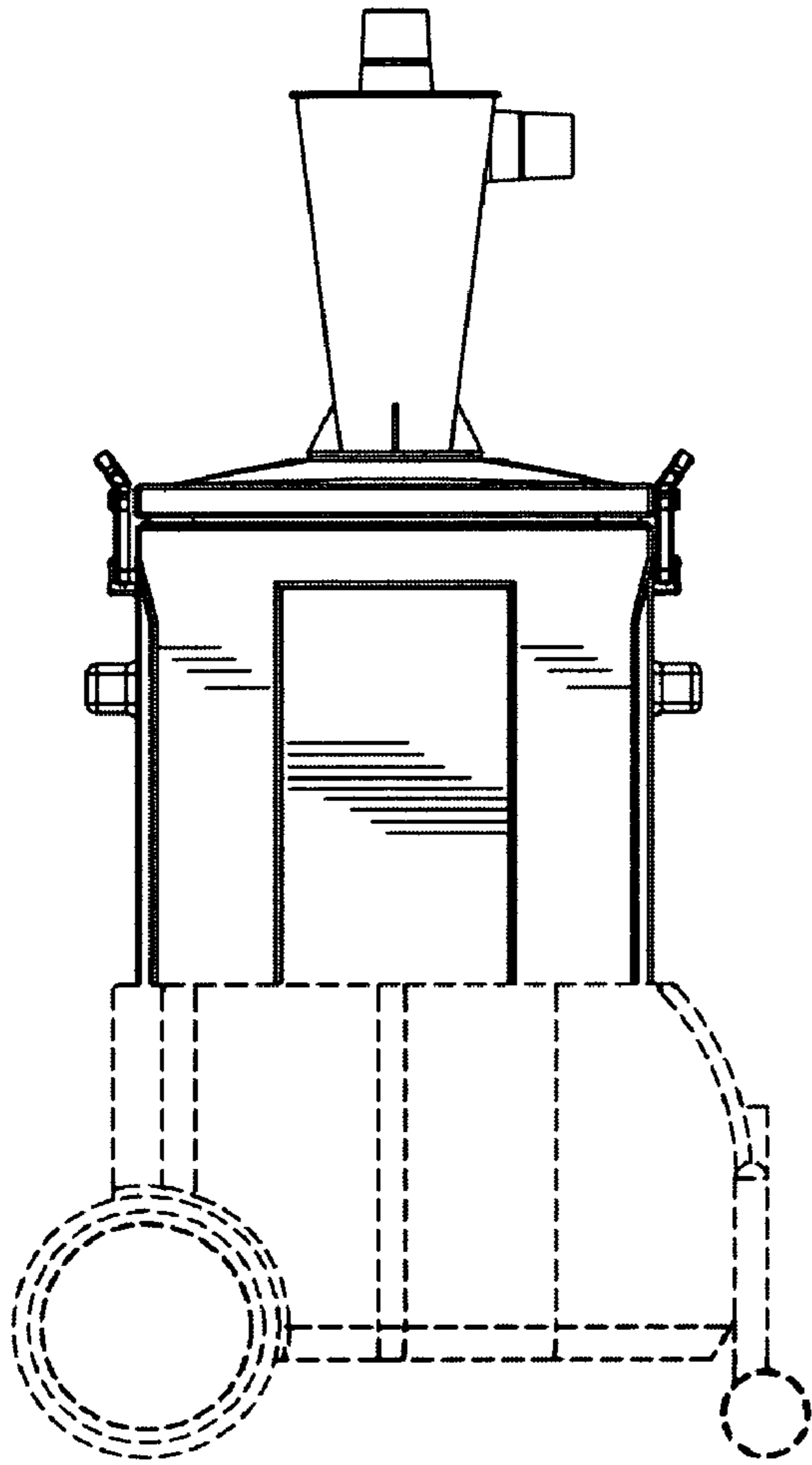


FIG. 5

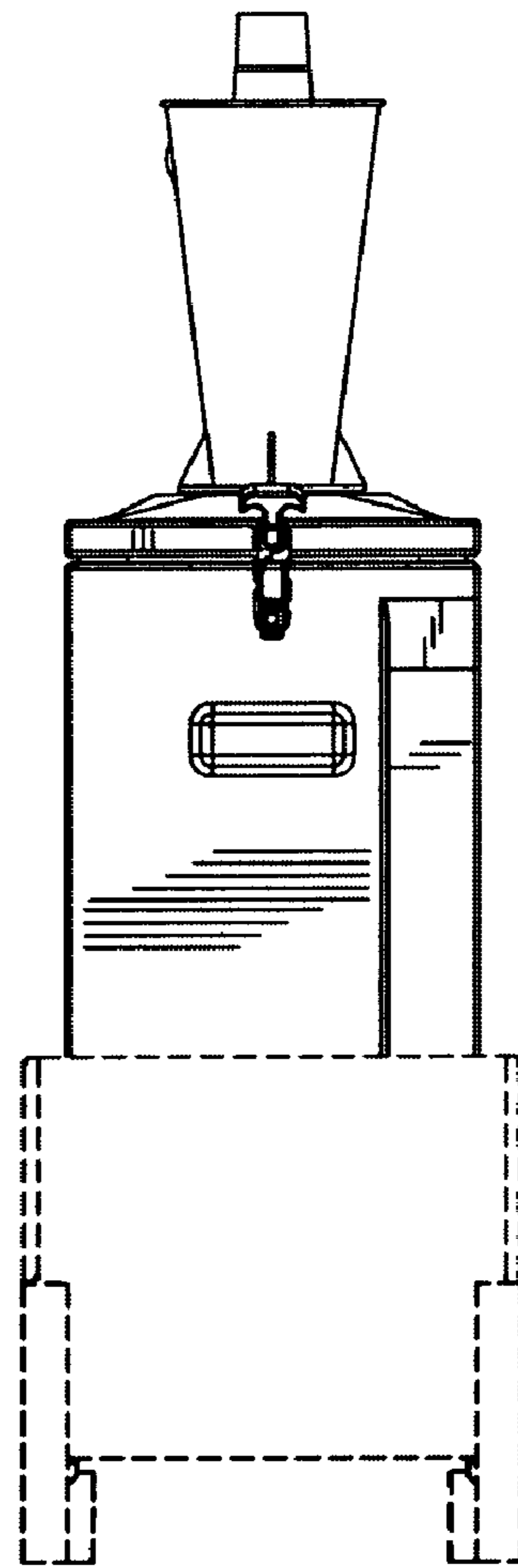


FIG. 6