



US00D632853S

(12) **United States Design Patent**  
**Hardi et al.**

(10) **Patent No.:** **US D632,853 S**  
(45) **Date of Patent:** **\*\* Feb. 15, 2011**

- (54) **ELECTRONIC PET TAG**
- (75) Inventors: **Jason A. Hardi**, Raleigh, NC (US);  
**James M. O'Brien, III**, Raleigh, NC (US)
- (73) Assignee: **Titan Pet Products, Inc.**, Raleigh, NC (US)
- (\*\*) Term: **14 Years**
- (21) Appl. No.: **29/367,243**
- (22) Filed: **Aug. 4, 2010**
- (51) **LOC (9) Cl.** ..... **30-08**
- (52) **U.S. Cl.** ..... **D30/155; D30/199; D30/152; D30/144**
- (58) **Field of Classification Search** ..... D30/144, D30/152, 151, 199; 119/712, 719-721, 856, 119/859, 863, 908, 129, 108, 106; D10/104, D10/106, 116, 121; 340/573.3, 573.1; D14/432, D14/356, 344; D3/215, 228; 40/658; 343/895; 540/1  
See application file for complete search history.

- 6,019,066 A 2/2000 Taylor
- 6,067,018 A 5/2000 Skelton et al.
- 6,079,367 A 6/2000 Stapelfeld et al.
- 6,167,843 B1 1/2001 Kim
- 6,360,698 B1 3/2002 Stapelfeld et al.
- D478,830 S \* 8/2003 So ..... D10/104
- D478,831 S \* 8/2003 So ..... D10/104
- 6,657,544 B2 12/2003 Barry et al.
- 6,712,025 B2 \* 3/2004 Peterson et al. .... 119/721
- 6,830,014 B1 12/2004 Lalor
- 6,860,240 B2 3/2005 Kim et al.
- 6,928,958 B2 8/2005 Crist et al.

(Continued)

*Primary Examiner*—Susan Moon Lee  
(74) *Attorney, Agent, or Firm*—Vincent K. Gustafson; Intellectual Property/Technology Law

(57) **CLAIM**

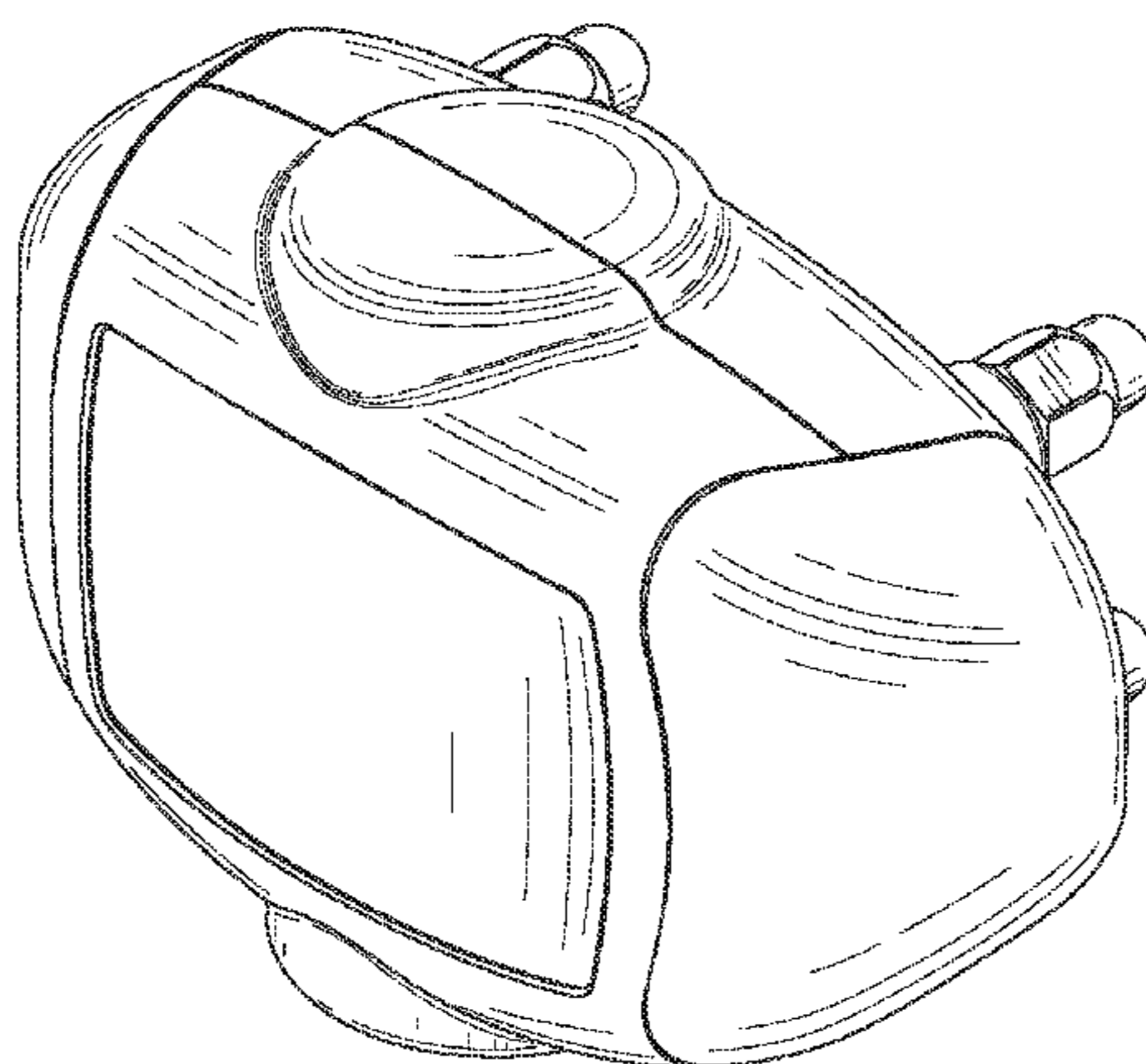
The ornamental design for an electronic pet tag, as shown and described.

**DESCRIPTION**

FIG. 1 is a perspective view of the electronic pet tag showing our new design;  
FIG. 2 is a front elevation view of the electronic pet tag;  
FIG. 3 is a rear elevation view of the electronic pet tag;  
FIG. 4 is a left side elevation view of the electronic pet tag;  
FIG. 5 is a right side elevation view of the electronic pet tag;  
FIG. 6 is a top plan view of the electronic pet tag; and,  
FIG. 7 is a bottom plan view of the electronic pet tag.

**1 Claim, 7 Drawing Sheets**

- (56) **References Cited**
- U.S. PATENT DOCUMENTS
- 4,180,013 A 12/1979 Smith
- 4,335,682 A 6/1982 Gonda et al.
- 4,539,937 A 9/1985 Workman
- 4,887,549 A 12/1989 Powell
- 5,067,441 A 11/1991 Weinstein
- 5,161,485 A \* 11/1992 McDade ..... 119/859
- 5,353,744 A 10/1994 Custer
- 5,465,687 A 11/1995 Custer
- 5,559,498 A 9/1996 Westrick et al.
- 5,601,054 A 2/1997 So
- 5,640,932 A 6/1997 Bianco et al.
- D380,692 S \* 7/1997 Heun ..... D10/104
- 5,666,908 A 9/1997 So
- 5,799,618 A 9/1998 Van Curen et al.
- D400,458 S \* 11/1998 Titus et al. .... D10/104
- D410,206 S \* 5/1999 Slater ..... D10/104
- 5,900,818 A 5/1999 Lemnell



# US D632,853 S

Page 2

---

## U.S. PATENT DOCUMENTS

7,000,570	B2 *	2/2006	Napolez et al. ....	119/718	7,252,051	B2	8/2007	Napolez et al.	
7,046,152	B1	5/2006	Peinetti et al.		D587,614	S *	3/2009	Schwanitz et al. ....	D10/106
7,198,009	B2	4/2007	Crist et al.		7,559,291	B2	7/2009	Reinhart	
7,222,589	B2	5/2007	Lee, IV et al.		7,712,438	B2	5/2010	Reinhart	

\* cited by examiner

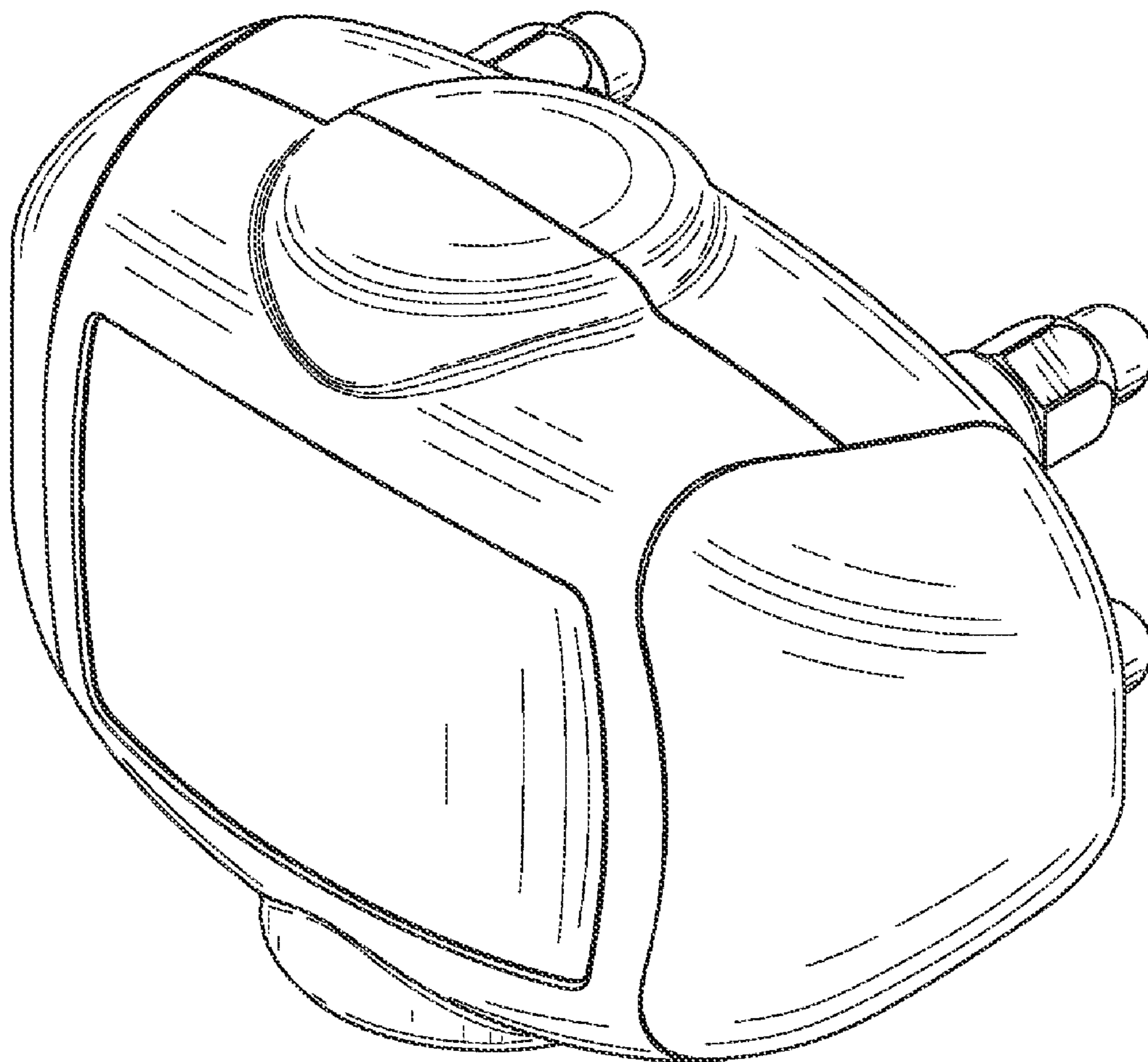


FIG. 1

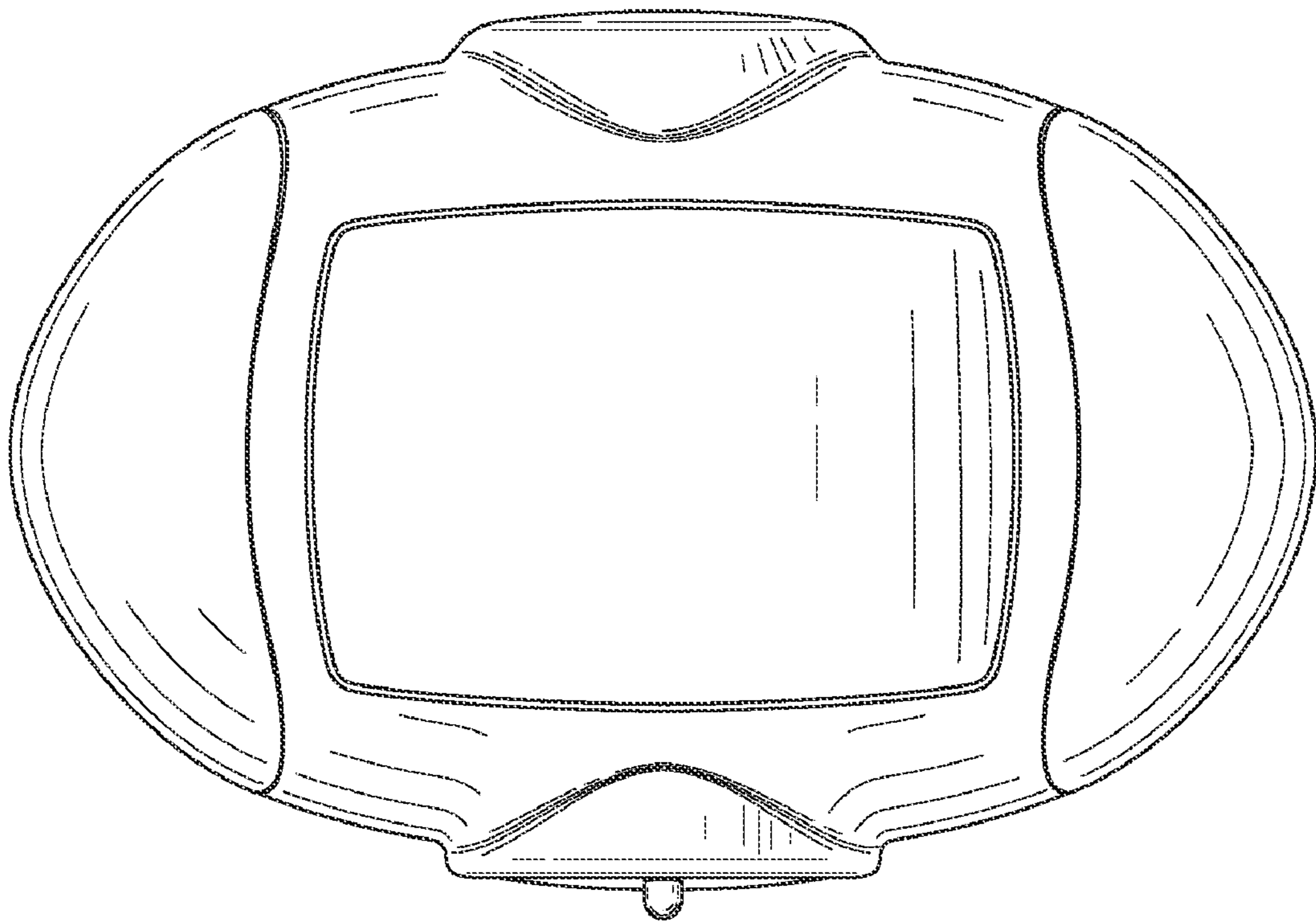


FIG. 2

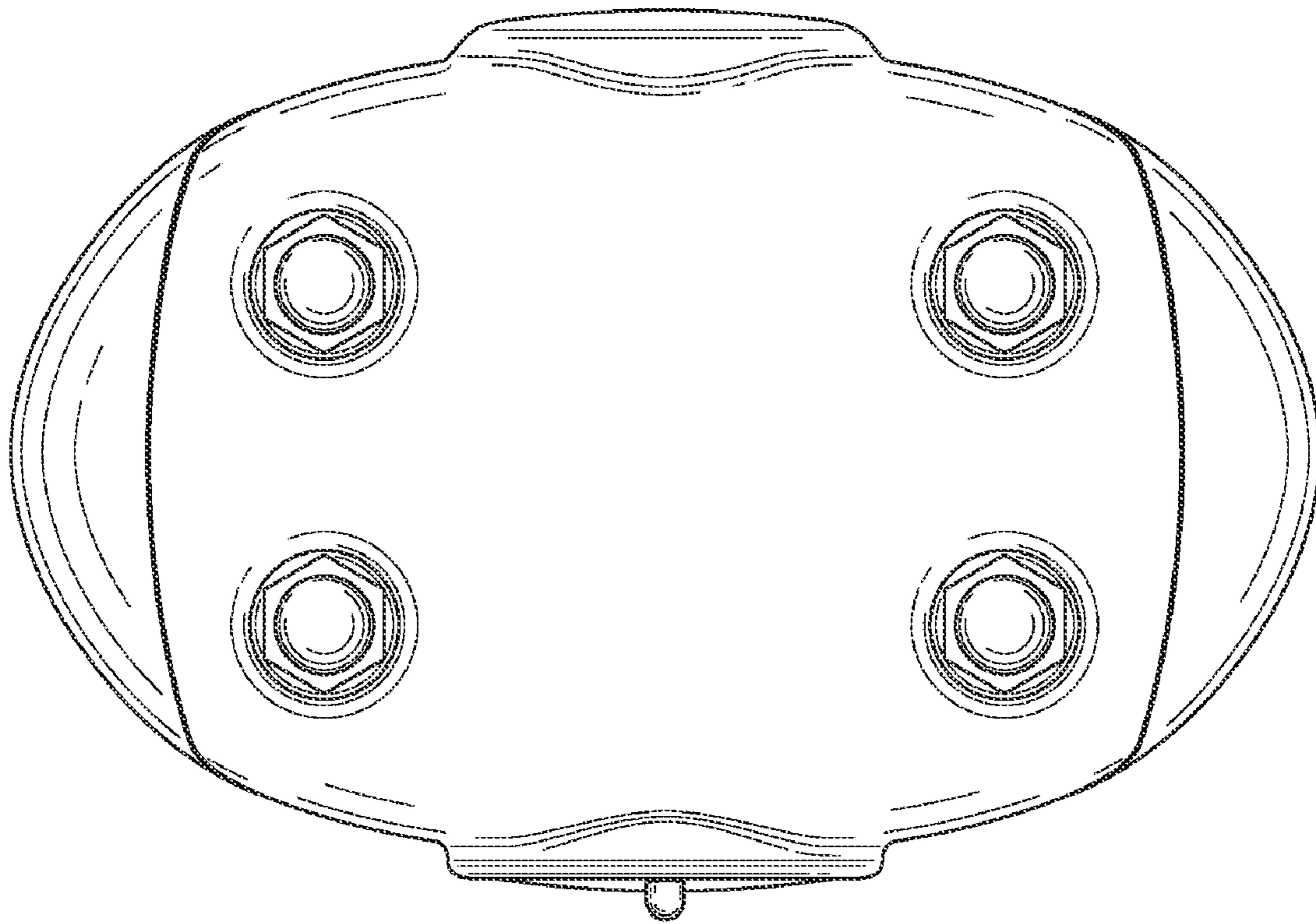


FIG. 3

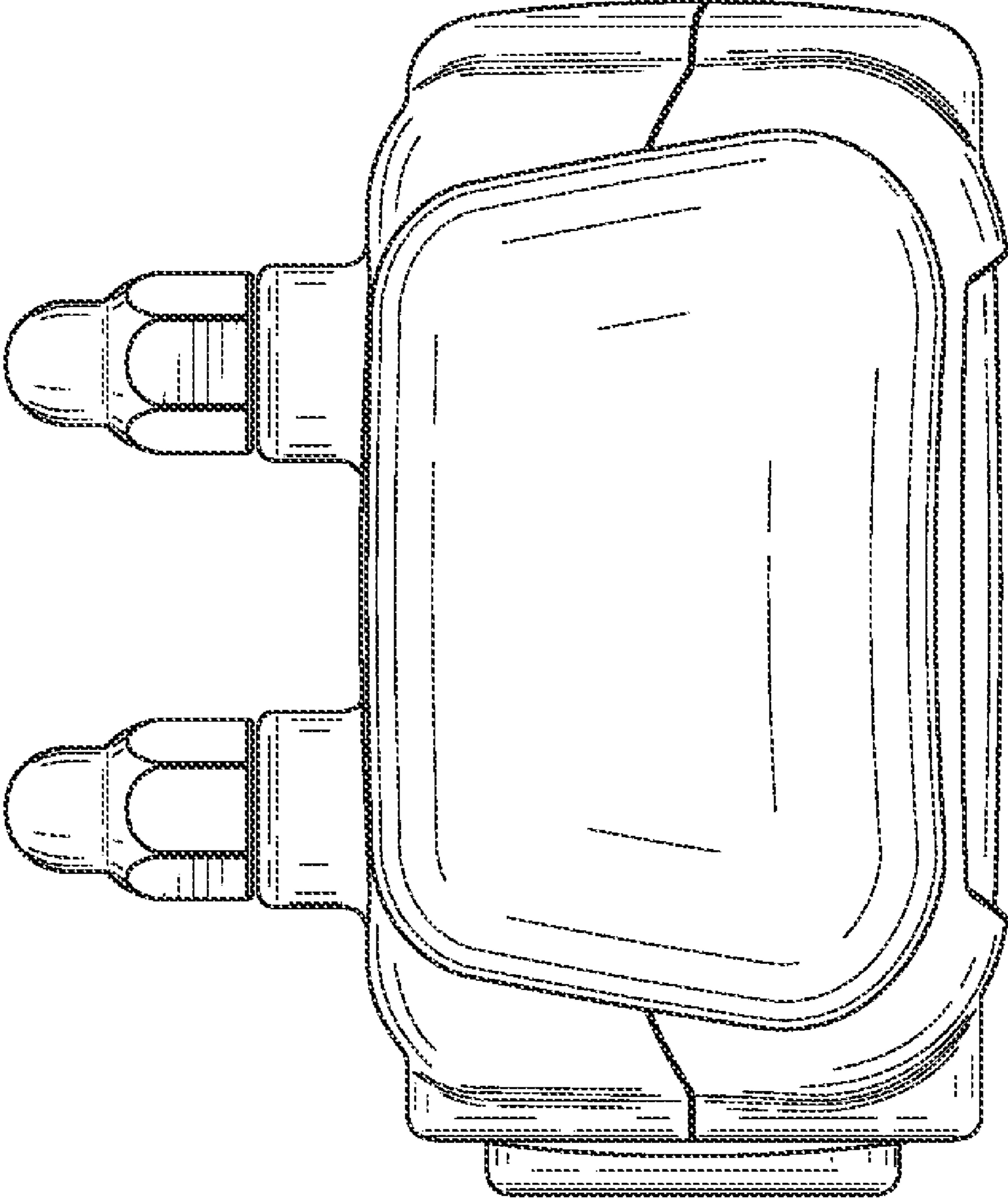


FIG. 4

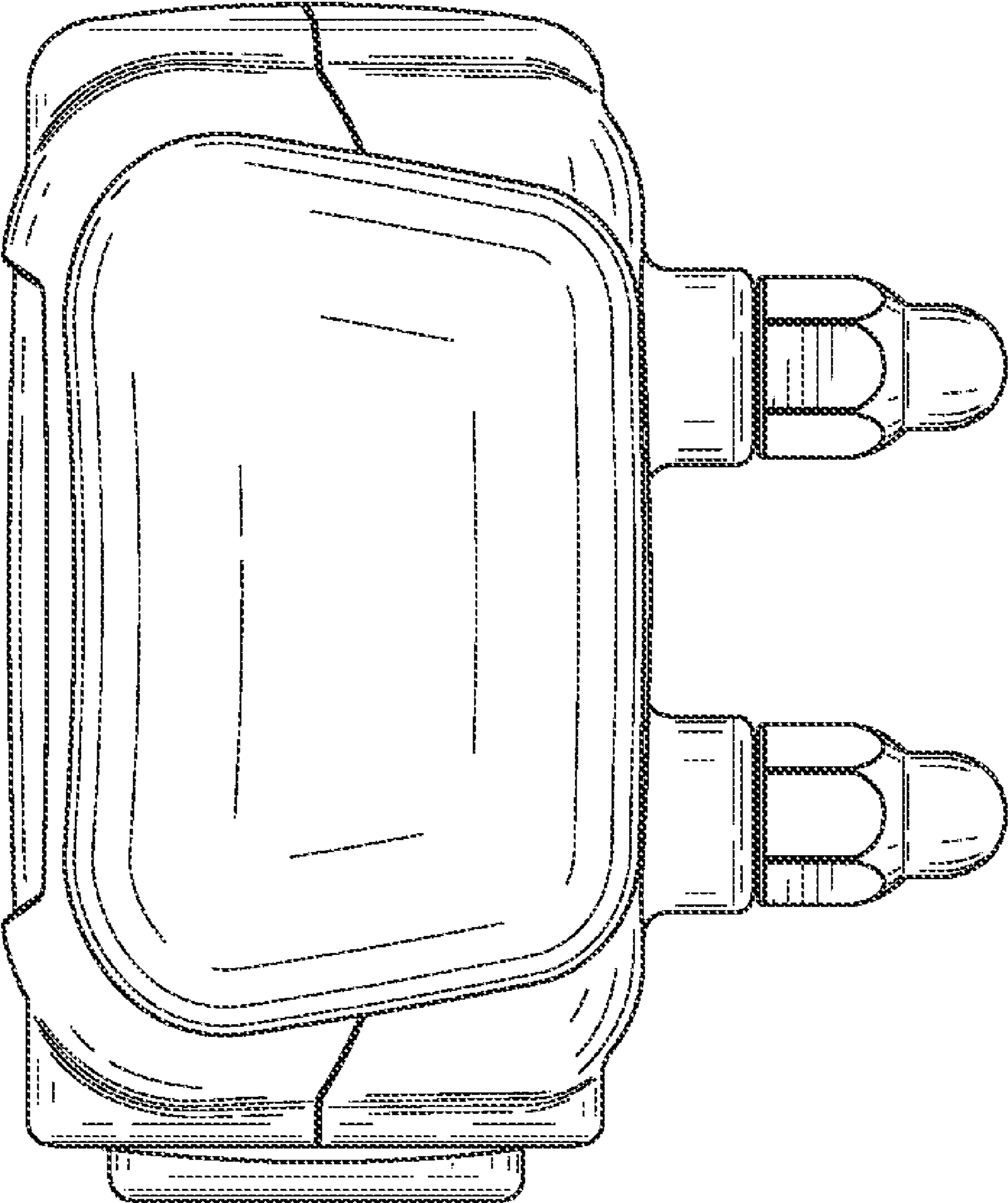


FIG. 5

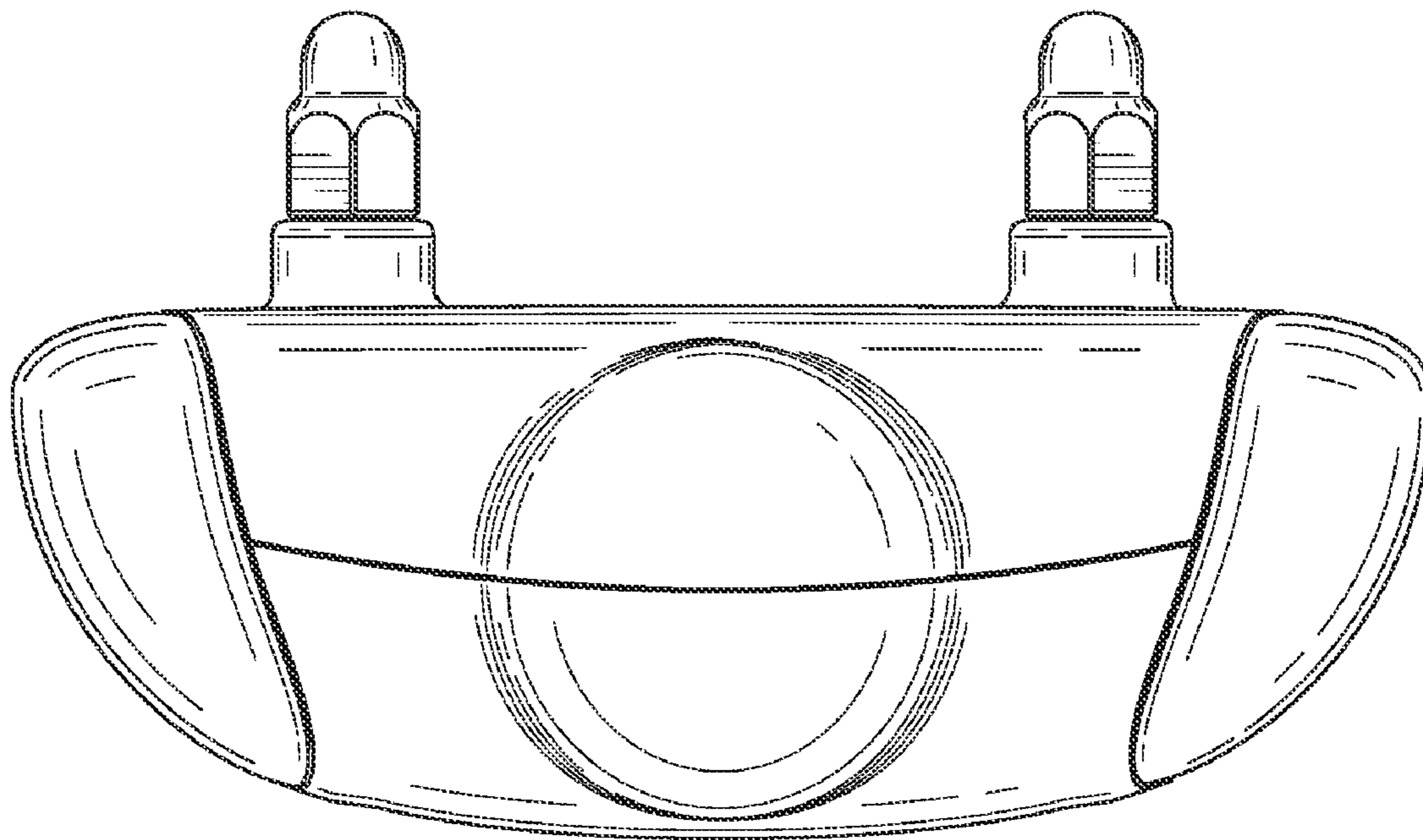
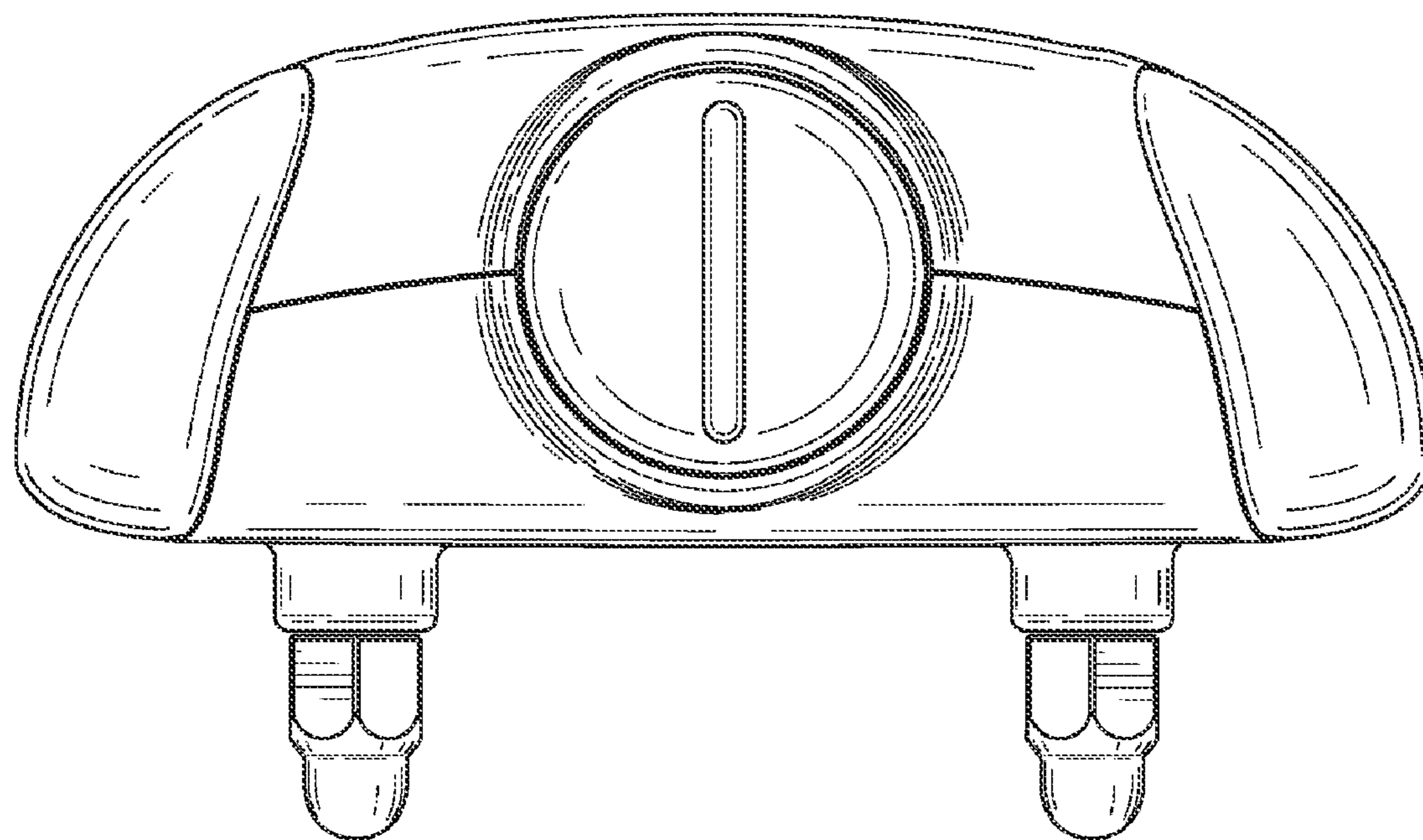


FIG. 6





**FIG. 7**