

US00D632851S

(12) **United States Design Patent**
Maroney et al.

(10) **Patent No.:** **US D632,851 S**

(45) **Date of Patent:** **** Feb. 15, 2011**

(54) **ELIZABETHAN PET COLLAR**

D562,505 S * 2/2008 Fujita D30/152

D592,363 S 5/2009 Price

(76) Inventors: **Sandy Maroney**, 3844 S. Santa Fe Ave.,
Los Angeles, CA (US) 90058; **Sharon**
Bolger, 3844 S. Sante Fe Ave., Los
Angeles, CA (US) 90058

7,617,800 B2* 11/2009 Trescott 119/815

(Continued)

(**) Term: **14 Years**

Primary Examiner—Susan Moon Lee

(21) Appl. No.: **29/341,799**

(74) *Attorney, Agent, or Firm*—QuickPatents, Inc.; Kevin
Prince

(22) Filed: **Aug. 12, 2009**

(57) **CLAIM**

(51) **LOC (9) Cl.** **30-04**

(52) **U.S. Cl.** **D30/152; D30/145**

(58) **Field of Classification Search** D30/152,
D30/144, 145, 151, 199; 119/815, 855, 856,
119/850, 729, 908, 821, 863; 54/79; 128/878,
128/880, 882; 2/46, 47, 48, 98, 116, 127,
2/129, 131, 132, 133, 49.1, 60, 207, 468,
2/916; 47/32.4, 30, 32; D24/197, 193; D2/603,
D2/602, 600, 500, 508, 604, 605, 608

We claim the ornamental design for an Elizabethan pet collar,
as shown and described.

See application file for complete search history.

DESCRIPTION

(56) **References Cited**

FIG. 1 is a perspective view of an Elizabethan pet collar,
illustrated in an assembled configuration, showing our new
design;

U.S. PATENT DOCUMENTS

3,013,530	A	12/1961	Zeman	
3,036,554	A *	5/1962	Johnson	119/821
3,072,098	A *	1/1963	Boemle	119/821
4,200,057	A *	4/1980	Agar	424/9.8
5,012,764	A *	5/1991	Fick et al.	119/821
5,133,295	A	7/1992	Lippincott	
5,197,414	A *	3/1993	Kanakura	119/839
5,211,474	A *	5/1993	Leitner et al.	362/351
5,349,927	A *	9/1994	Campbell	119/815
5,469,814	A *	11/1995	Moy et al.	119/815
5,697,328	A *	12/1997	Hunter	119/714
5,797,354	A *	8/1998	Marschall	119/815
D419,716	S *	1/2000	Parrochia	D26/118
6,044,802	A	4/2000	Schmid	
6,058,517	A *	5/2000	Hartunian	2/468
6,244,222	B1	6/2001	Bowen	
6,463,887	B1 *	10/2002	Thomas	119/850
D506,296	S *	6/2005	Driver	D30/152
D558,932	S	1/2008	Farrar	

FIG. 2 is a front elevational view thereof, illustrated in a flat
configuration;

FIG. 3 is a rear elevational view thereof, illustrated in the flat
configuration;

FIG. 4 is a left-side elevational view thereof, illustrated in the
flat configuration;

FIG. 5 is a right-side elevational view thereof, illustrated in
the flat configuration;

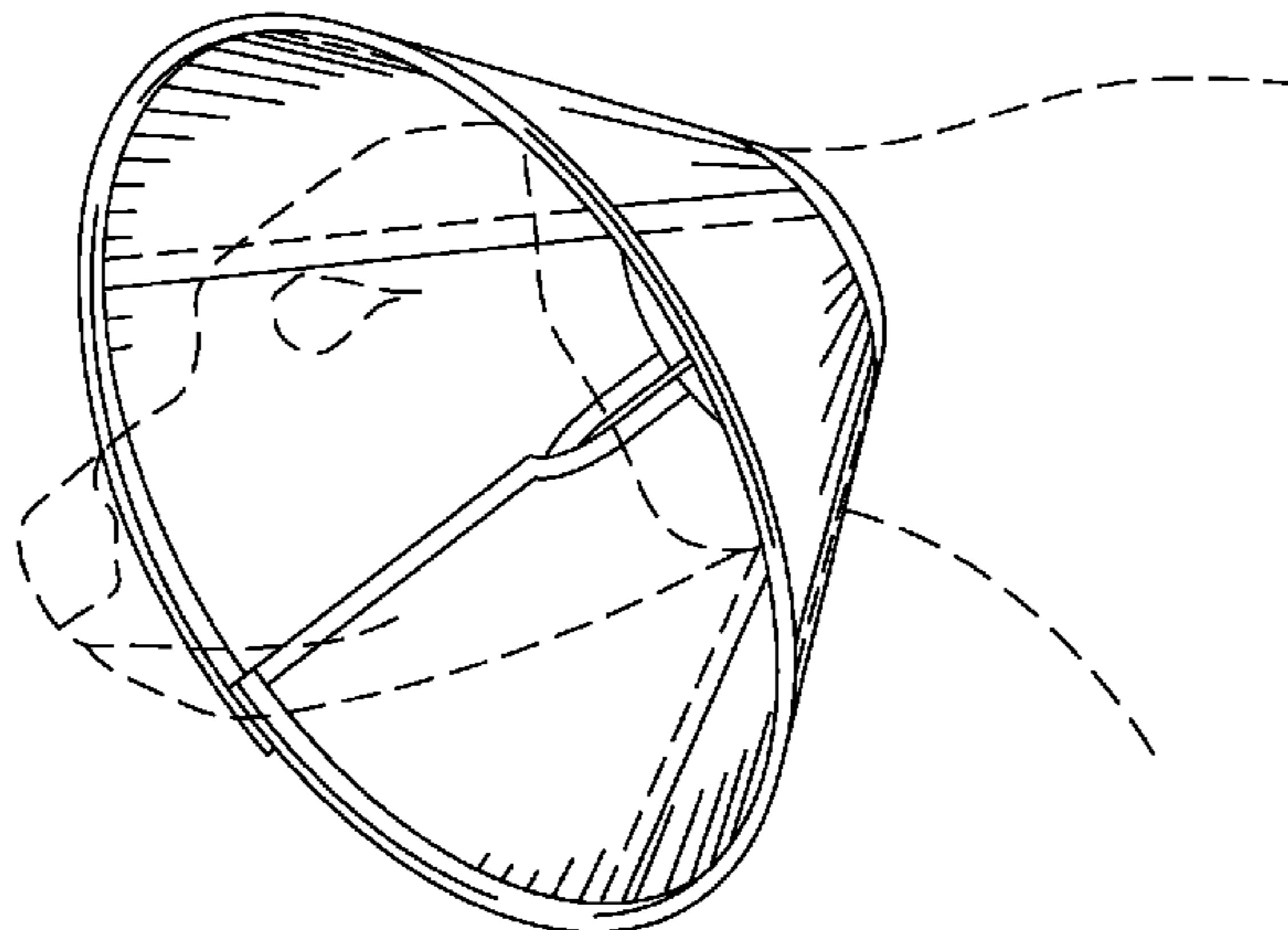
FIG. 6 is a top plan view thereof, illustrated in the flat con-
figuration;

FIG. 7 is a bottom plan view thereof, illustrated in the flat
configuration; and,

FIG. 8 is a front elevational view thereof, illustrated in the
assembled configuration.

The broken lines showing a dog in FIG. 1 are included for the
purpose of illustrating the invention in use, and form no part
of the claimed design.

1 Claim, 3 Drawing Sheets



US D632,851 S

Page 2

U.S. PATENT DOCUMENTS			
7,765,957	B2 *	8/2010	Behraves et al. 119/815
D624,250	S *	9/2010	Hamilton D30/152
D624,710	S *	9/2010	Moore D30/152
2003/0037735	A1	2/2003	Albers
2003/0150401	A1 *	8/2003	Schmid et al. 119/815
2003/0188384	A1 *	10/2003	Maldonado 5/636
2006/0278177	A1	12/2006	Crawford
2007/0181080	A1 *	8/2007	Gibson 119/815
2009/0107419	A1 *	4/2009	Davis 119/815
2009/0178628	A1	7/2009	Carmean

* cited by examiner

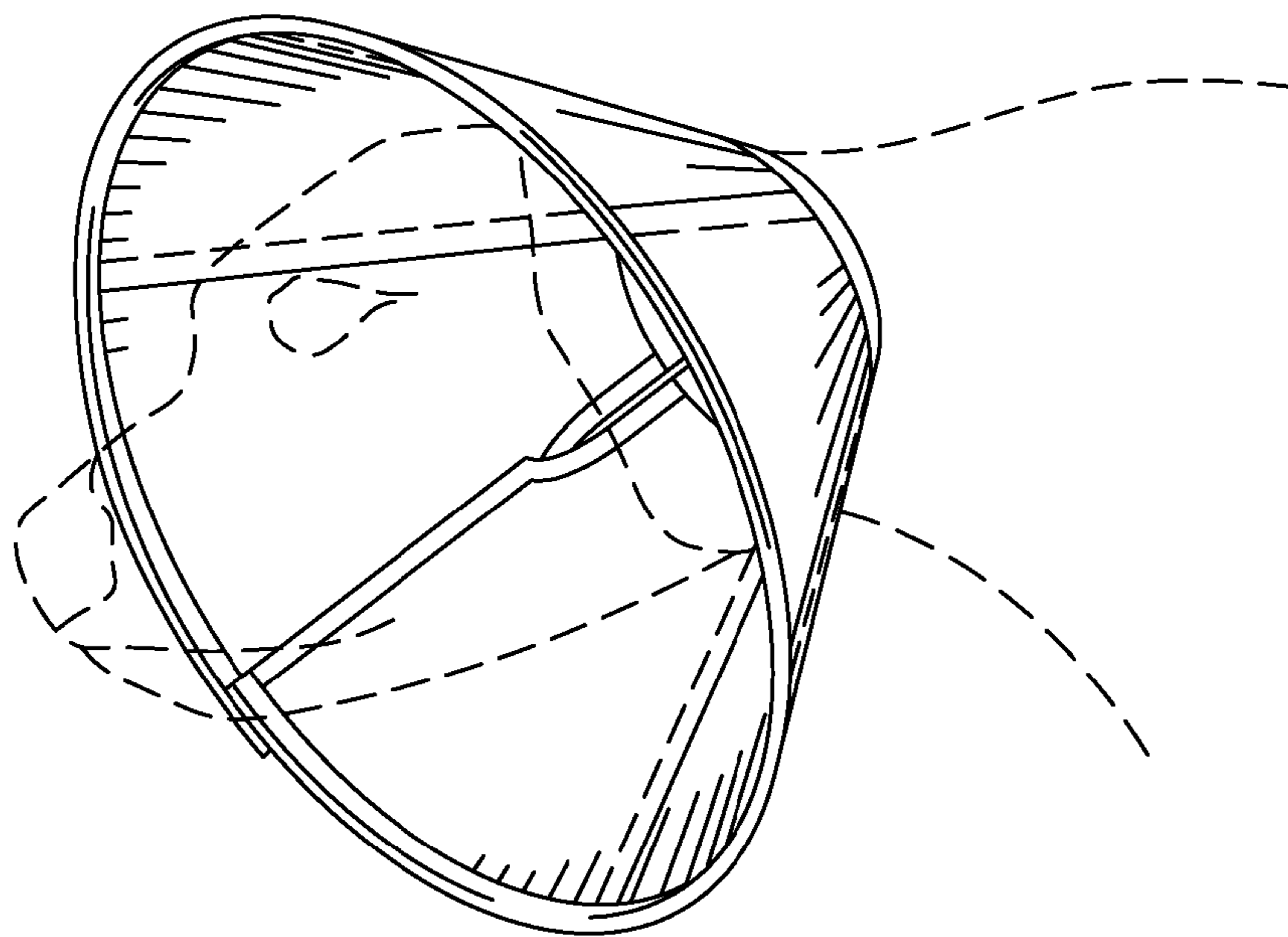


FIG. 1

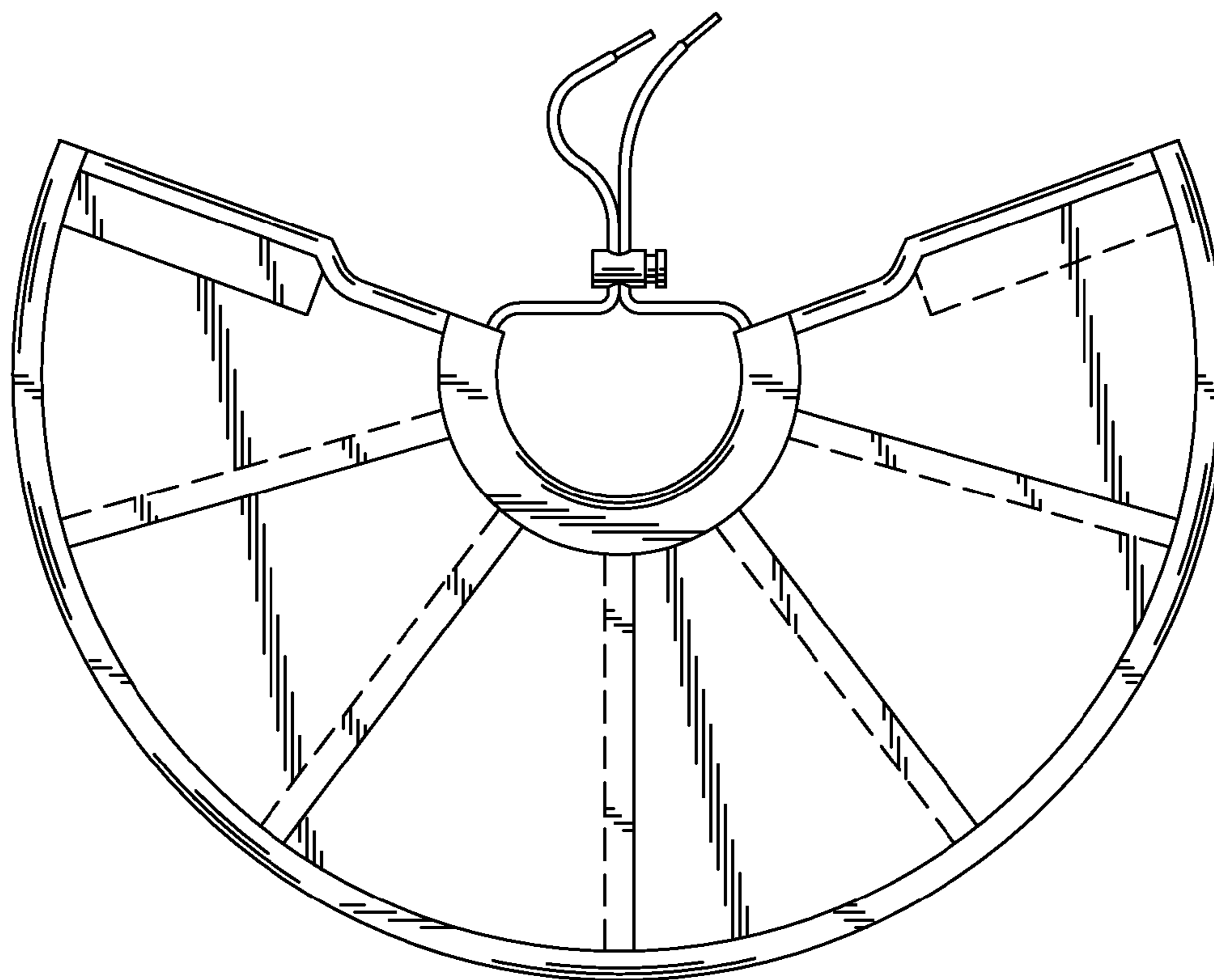


FIG. 2

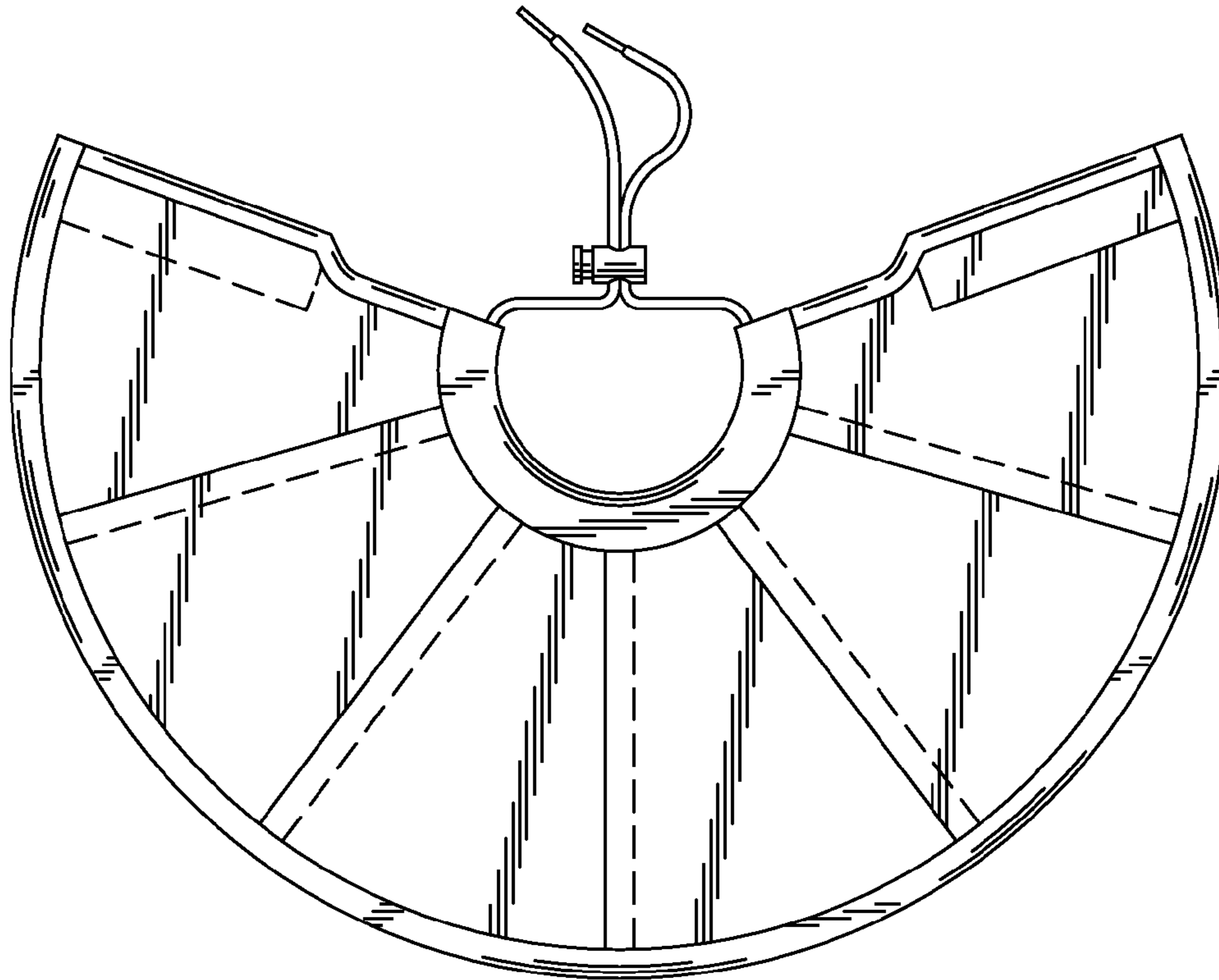


FIG. 3

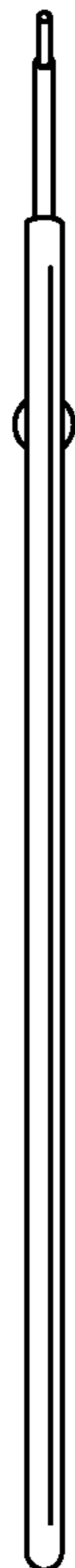


FIG. 4



FIG. 5



FIG. 6



FIG. 7

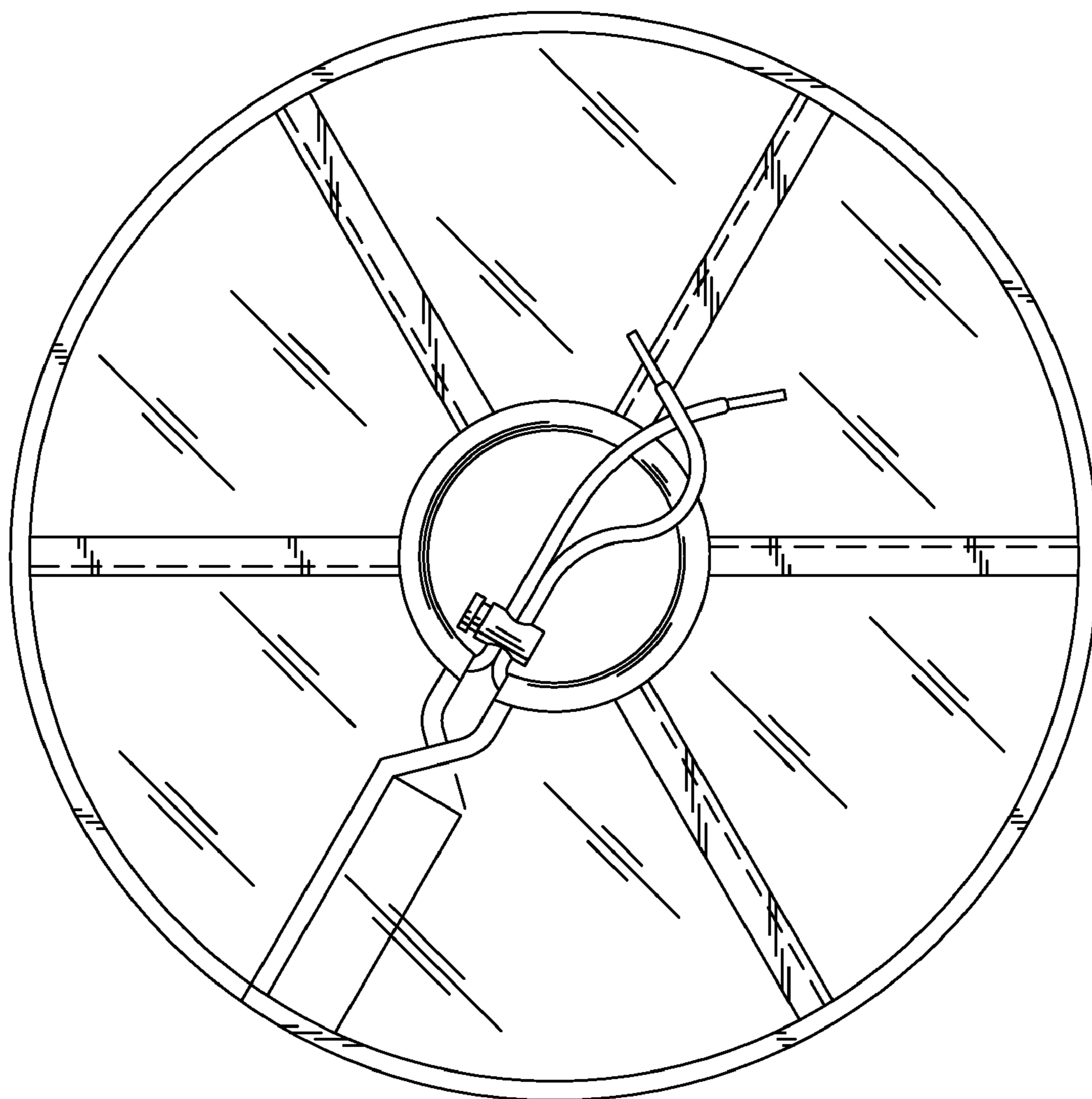


FIG. 8