



US00D632846S

(12) **United States Design Patent**
Green et al.

(10) **Patent No.:** **US D632,846 S**

(45) **Date of Patent:** **** Feb. 15, 2011**

(54) **PROTECTIVE CHEST GUARD**

(76) Inventors: **Michael S. Green**, 15 Apple Tree La.,
East Brunswick, NJ (US) 08816; **Cliff**
Zatz, 40 Rath La., East Brunswick, NJ
(US) 08816

(**) Term: **14 Years**

(21) Appl. No.: **29/375,213**

(22) Filed: **Sep. 19, 2010**

(51) **LOC (9) Cl.** **29-02**

(52) **U.S. Cl.** **D29/101.3**

(58) **Field of Classification Search** D29/100,
D29/101, 101.1, 101.2, 101.3, 122; 2/455,
2/458, 463, 464, 465; 62/259.3; 607/108,
607/112; 297/464, 465, 487, 488
See application file for complete search history.

(56) **References Cited**

U.S. PATENT DOCUMENTS

| | | | | | |
|-----------|------|---------|----------------|-------|---------|
| 6,302,490 | B1 * | 10/2001 | Hanna et al. | | 297/487 |
| 6,789,274 | B1 * | 9/2004 | Karpati | | 2/463 |
| D516,252 | S * | 2/2006 | Farshid et al. | | D29/100 |
| D562,501 | S * | 2/2008 | Kalaam et al. | | D29/100 |
| D568,544 | S * | 5/2008 | Crye et al. | | D29/100 |
| D569,043 | S * | 5/2008 | Crye et al. | | D29/100 |

| | | | | | |
|----------|-----|--------|-------------|-------|---------|
| D569,044 | S * | 5/2008 | Crye et al. | | D29/100 |
| D569,046 | S * | 5/2008 | Crye et al. | | D29/100 |
| D590,999 | S * | 4/2009 | Kanavage | | D29/122 |
| D591,000 | S * | 4/2009 | Kanavage | | D29/122 |

* cited by examiner

Primary Examiner—Robert M Spear

Assistant Examiner—Barbara B Lohr

(57) **CLAIM**

The ornamental design for a protective chest guard, as shown and described.

DESCRIPTION

FIG. 1 is a perspective view of our new design for a protective chest guard;

FIG. 2 is a front view thereof;

FIG. 3 is a left side view thereof;

FIG. 4 is a right side view thereof;

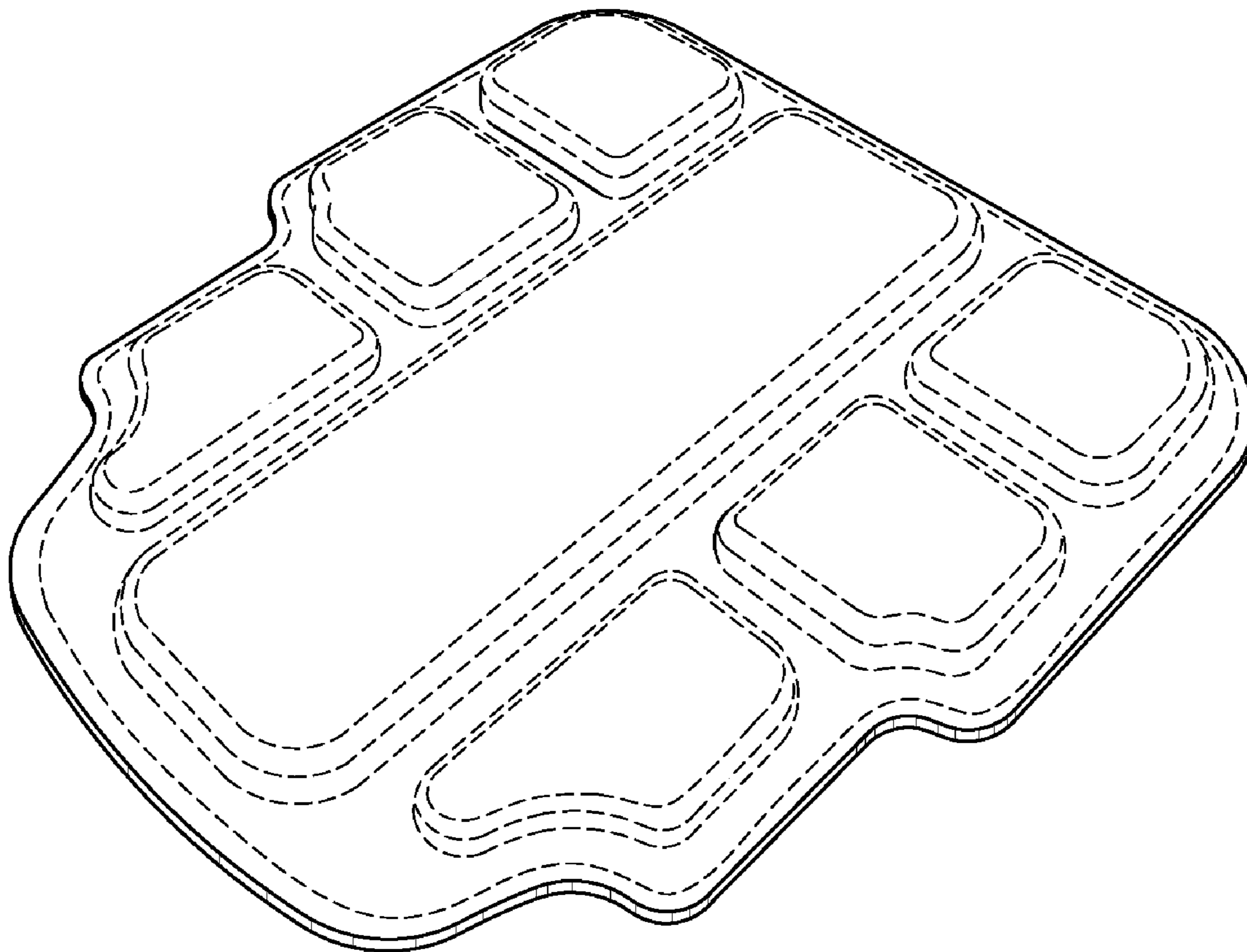
FIG. 5 is a top view thereof;

FIG. 6 is a bottom view thereof; and,

FIG. 7 is a rear view thereof.

The portions of the article shown by broken lines in the accompanying figures form no part of the claimed design.

1 Claim, 2 Drawing Sheets



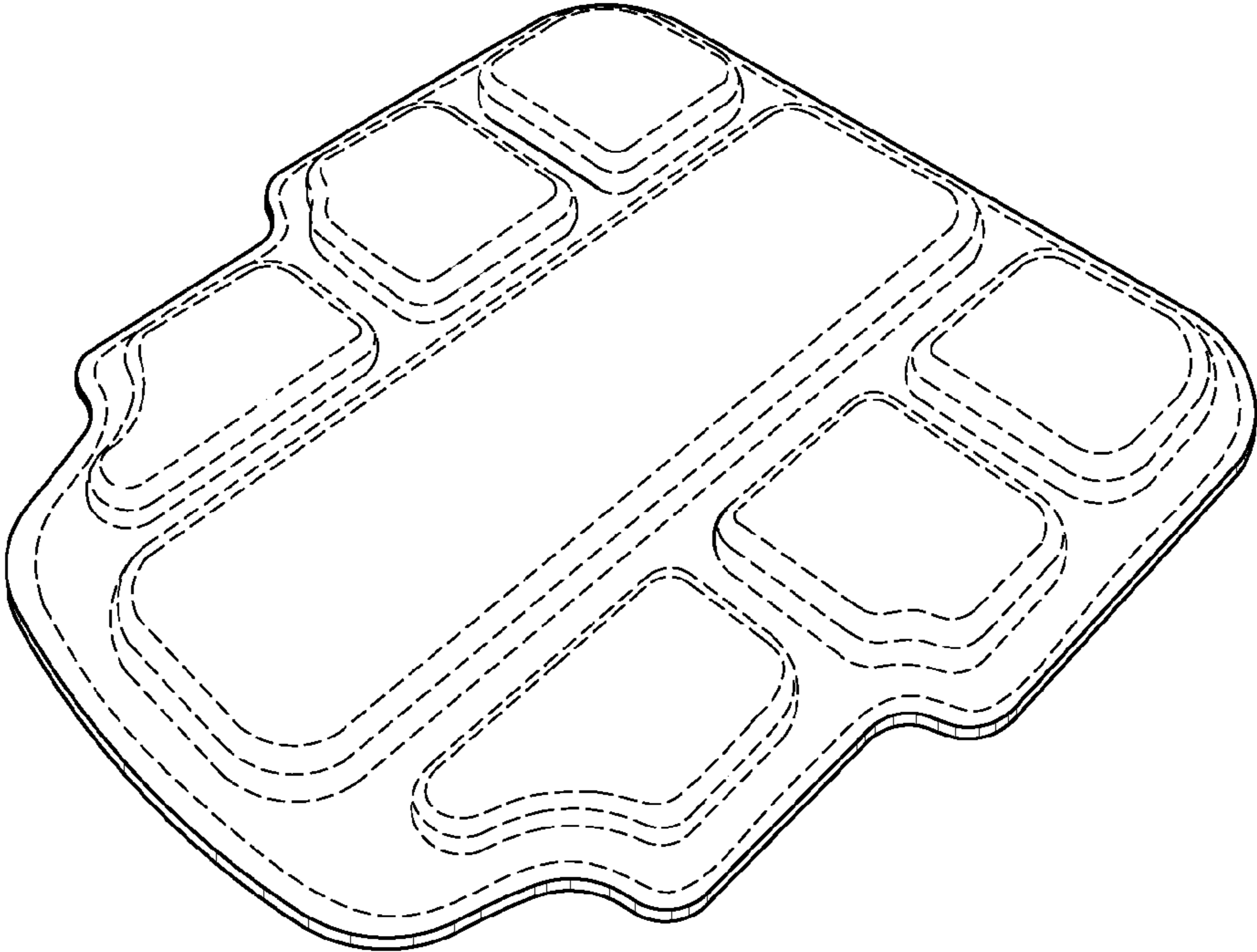


FIG. 1

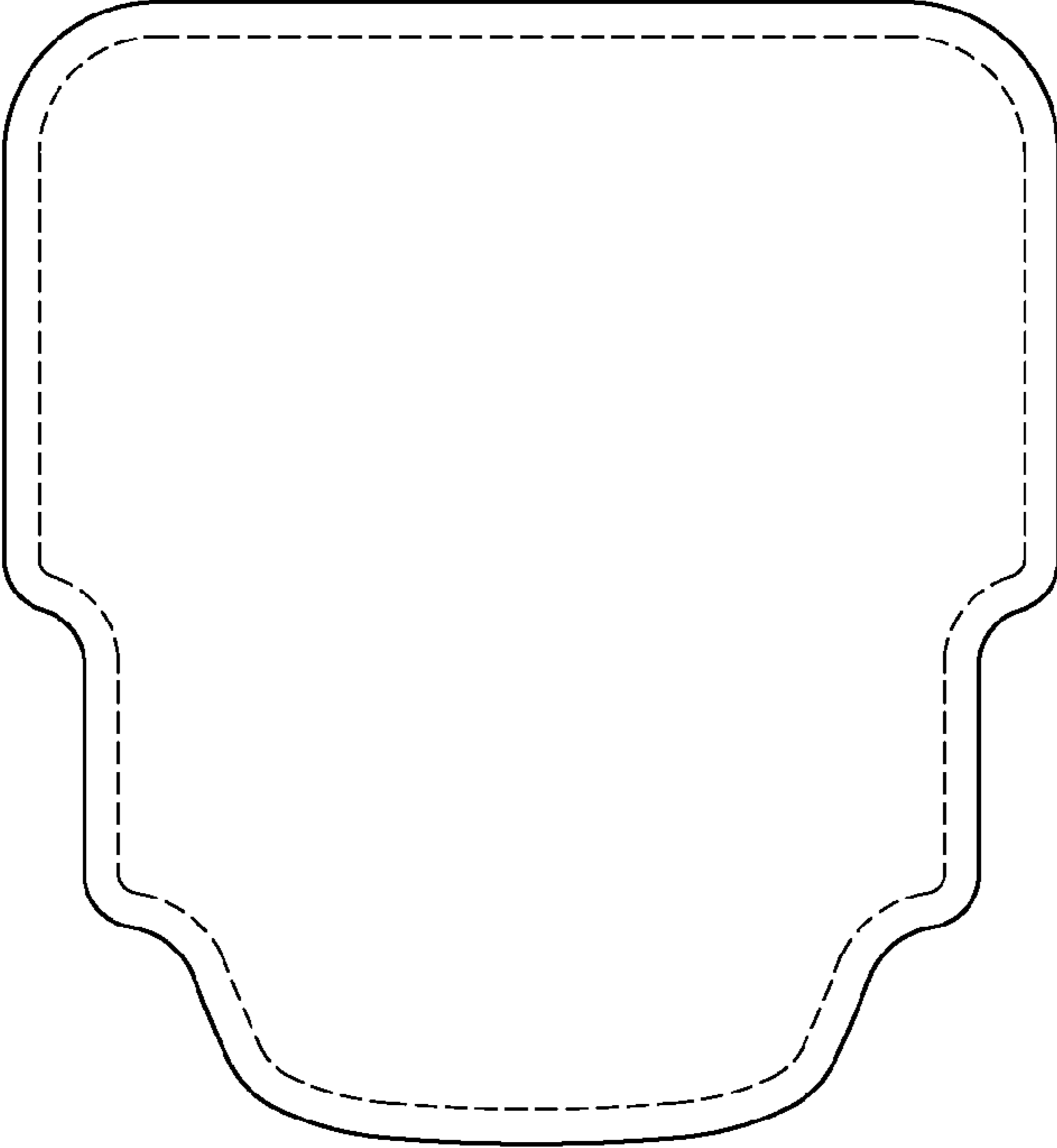


FIG. 7



FIG. 5



FIG. 3

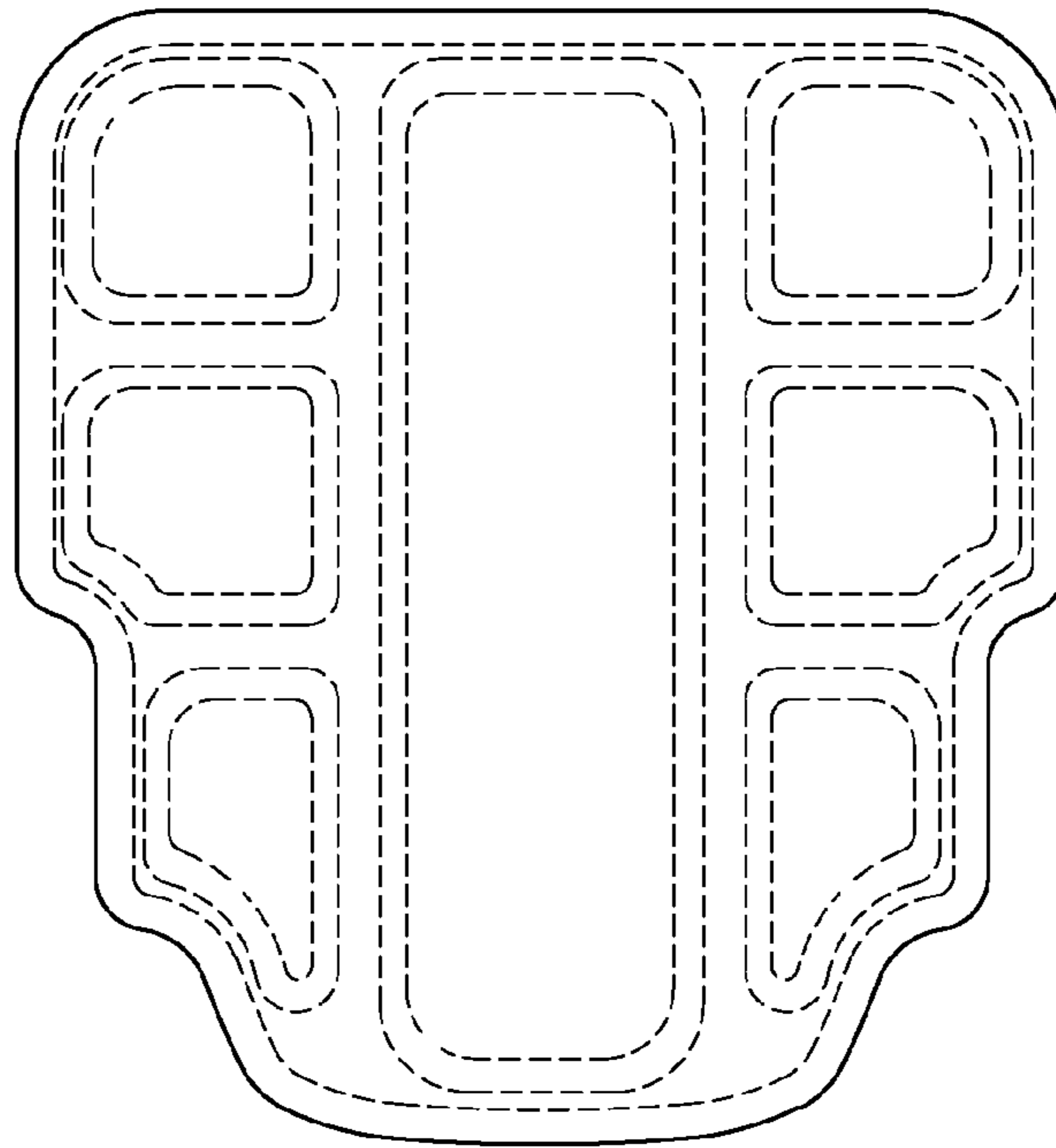


FIG. 2

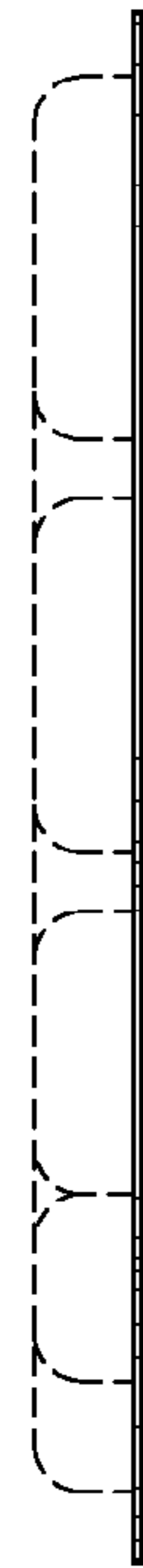


FIG. 4

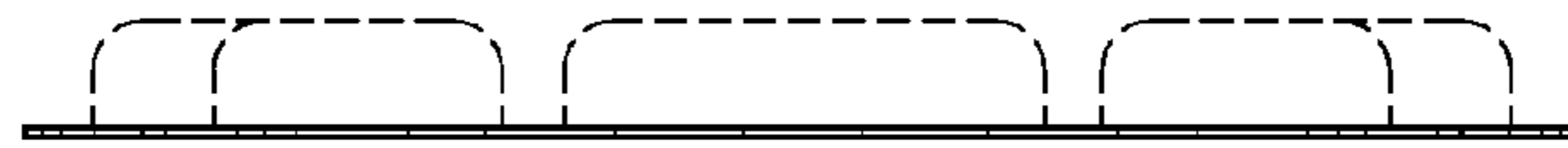


FIG. 6