



US00D632840S

(12) **United States Design Patent**
Nettesheim

(10) **Patent No.:** **US D632,840 S**

(45) **Date of Patent:** **** Feb. 15, 2011**

(54) **HOUSING FOR OLED READING LAMP**

(75) Inventor: **Alexander Nettesheim**, Aachen (DE)

(73) Assignee: **Koninklijke Philips Electronics N.V.**,
Eindhoven (NL)

(**) Term: **14 Years**

(21) Appl. No.: **29/353,871**

(22) Filed: **Jan. 15, 2010**

(30) **Foreign Application Priority Data**

Jul. 24, 2009 (EM) 001593211-0002

(51) **LOC (9) Cl.** **26-99**

(52) **U.S. Cl.** **D26/142**

(58) **Field of Classification Search** D26/122,
D26/76, 52, 84, 85, 87, 67, 68, 69, 154, 155,
D26/152, 81, 128, 142, 144, 124, 116, 138,
D26/120, 60, 43, 24, 63, 72, 113, 71, 65,
D26/118, 61, 78, 51, 2, 119, 130, 140, 141;
D25/119, 138, 140; 362/147, 297, 84, 362,
362/376, 33, 240, 241, 294, 138, 153.1, 650,
362/257, 341, 351; D16/135; D5/62; D8/370;
160/332; 52/533; D11/79, 90, 9, 8; 431/489;
433/49, 30; D24/158, 209, 210; D13/134,
D13/179, 180; 257/712; 359/809

See application file for complete search history.

(56) **References Cited**

U.S. PATENT DOCUMENTS

1,285,382 A * 11/1918 Renshaw 250/465.1
D216,912 S * 3/1970 Diato D26/65
D255,275 S * 6/1980 Brown D26/60
4,581,684 A * 4/1986 Mazzucco 362/98
4,635,171 A * 1/1987 Beiswenger 362/187
D298,658 S * 11/1988 Roberts et al. D26/37
D311,963 S * 11/1990 Reback et al. D26/37

5,169,226 A * 12/1992 Friedman 362/190
5,183,324 A * 2/1993 Thomas 362/103
D346,457 S * 4/1994 Friedman D26/43
D351,244 S * 10/1994 Lee D26/46
D364,000 S * 11/1995 Friedman D26/60
D416,927 S * 11/1999 Jim D16/135
D434,867 S * 12/2000 Merrell D26/37
D435,677 S * 12/2000 Hollinger D26/60
D497,216 S * 10/2004 Lee D26/60
D542,455 S * 5/2007 Newcomb D26/60
7,396,140 B2 * 7/2008 Cai 362/167
D582,358 S * 12/2008 Horng et al. D13/179
D608,038 S * 1/2010 Chan D26/60
2004/0042199 A1 * 3/2004 Cok 362/84
2005/0018426 A1 * 1/2005 Dickie 362/287
2005/0286265 A1 * 12/2005 Zampini et al. 362/612
2007/0109803 A1 * 5/2007 Chuang 362/473

* cited by examiner

Primary Examiner—Cathron C Brooks
Assistant Examiner—Kevin K Rudzinski

(57) **CLAIM**

The ornamental design for a housing for OLED reading lamp,
as shown.

DESCRIPTION

FIG. 1 is a perspective view showing my design;

FIG. 2 is a front elevational view thereof;

FIG. 3 is a rear elevational view thereof;

FIG. 4 is a right side elevational view thereof;

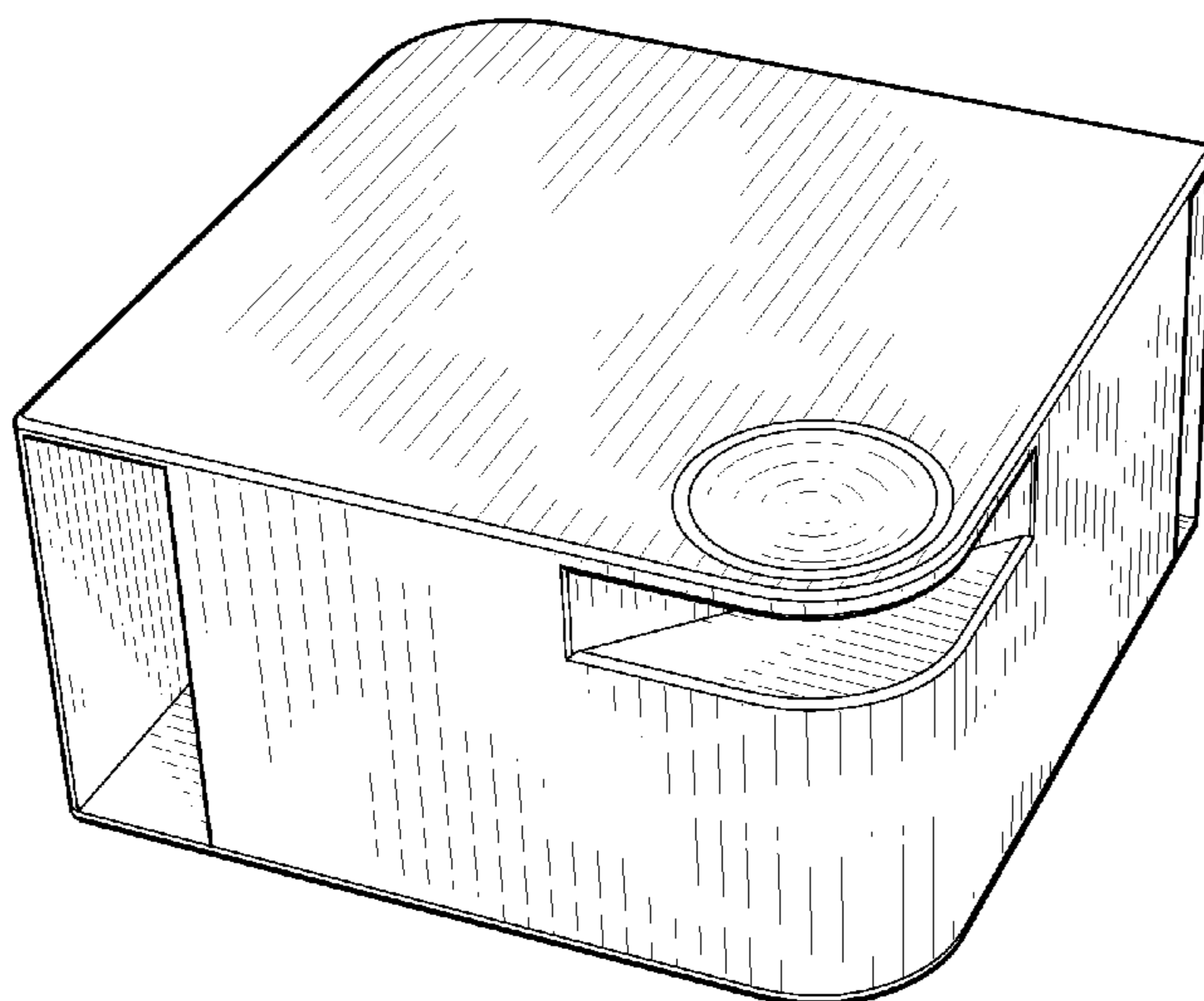
FIG. 5 is a left side elevational view thereof;

FIG. 6 is a top plan view thereof; and,

FIG. 7 is a bottom plan view thereof.

The broken lines in the drawings form no part of the claimed
design.

1 Claim, 5 Drawing Sheets



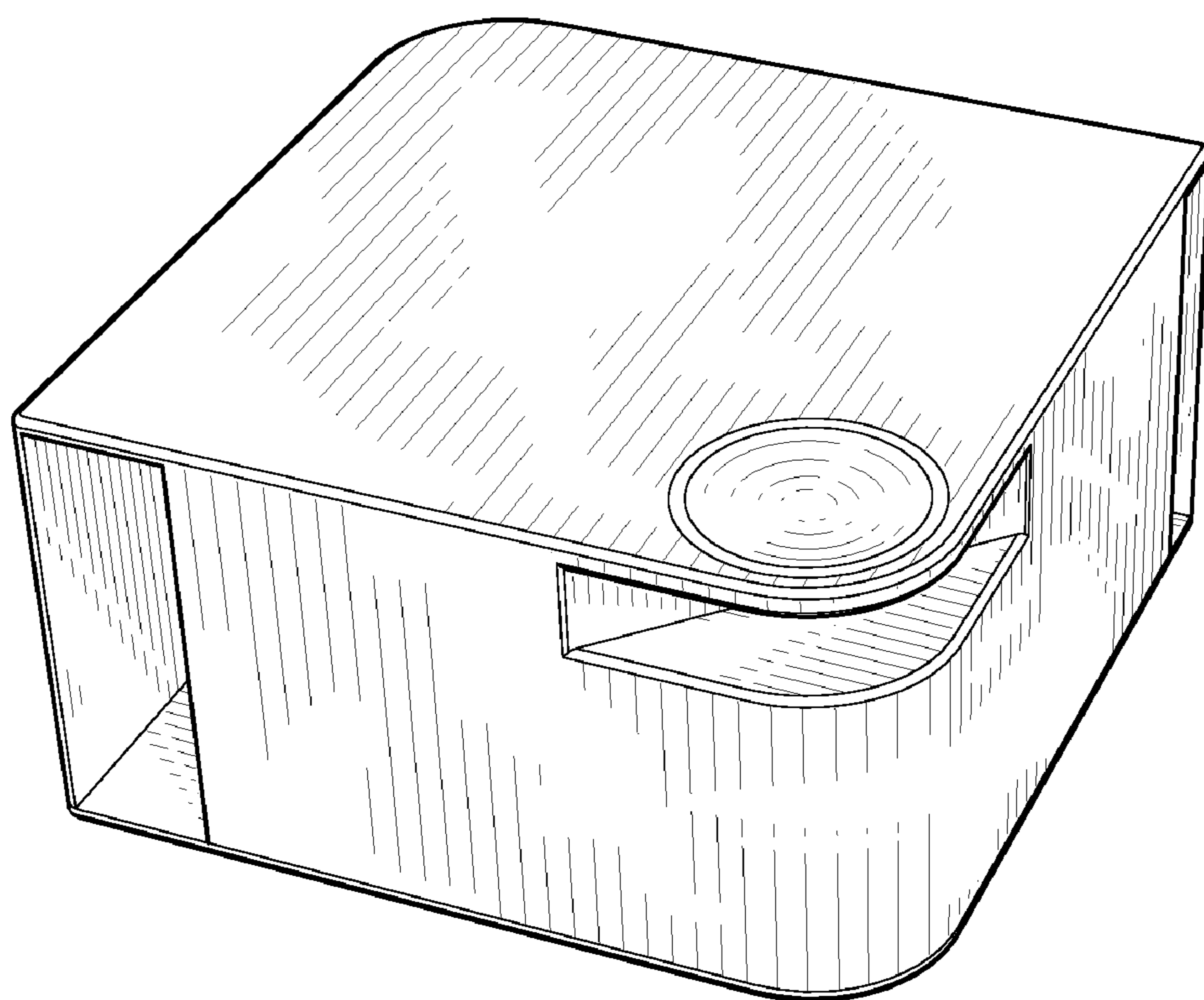


FIG. 1

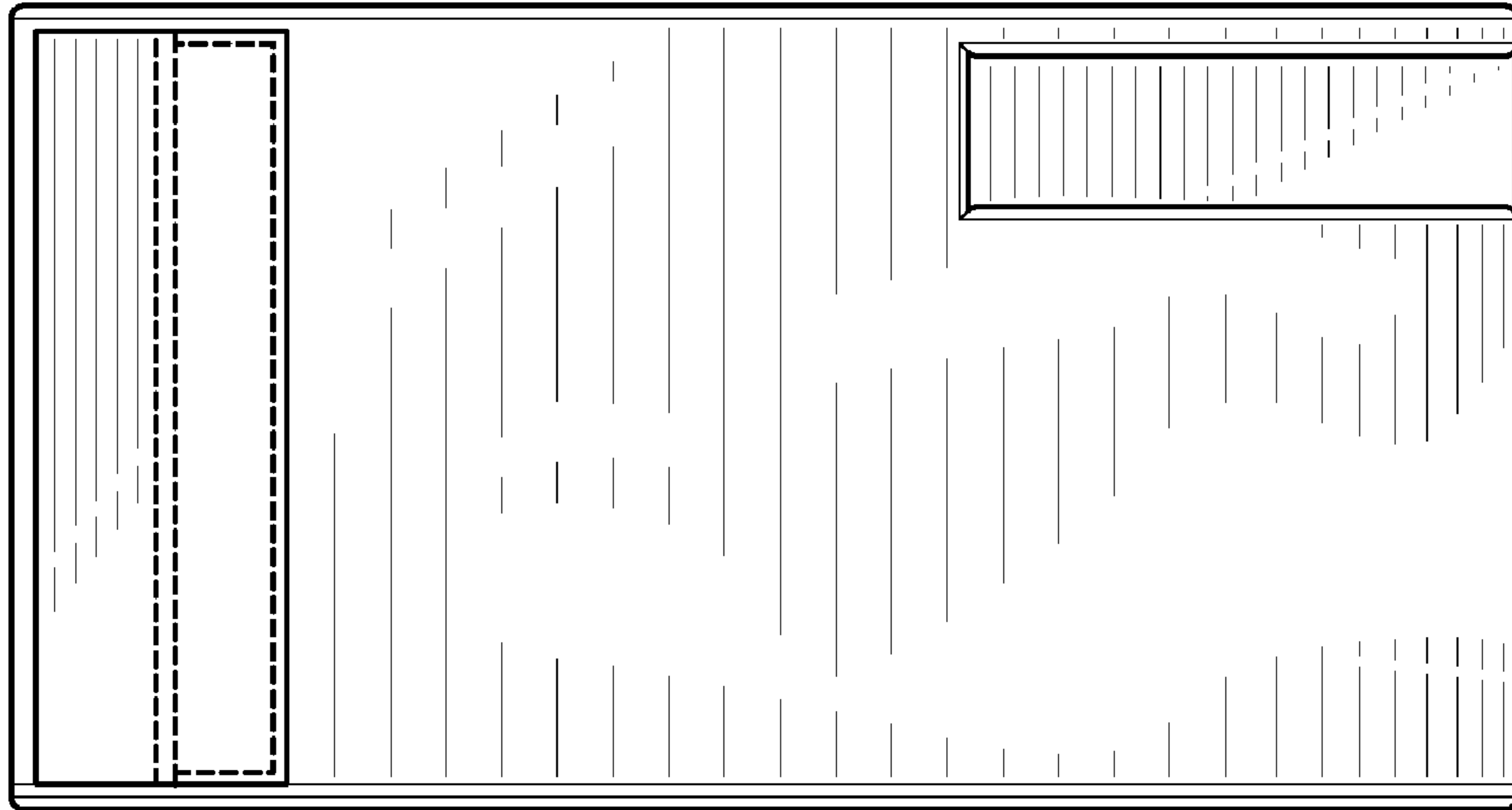


FIG. 2

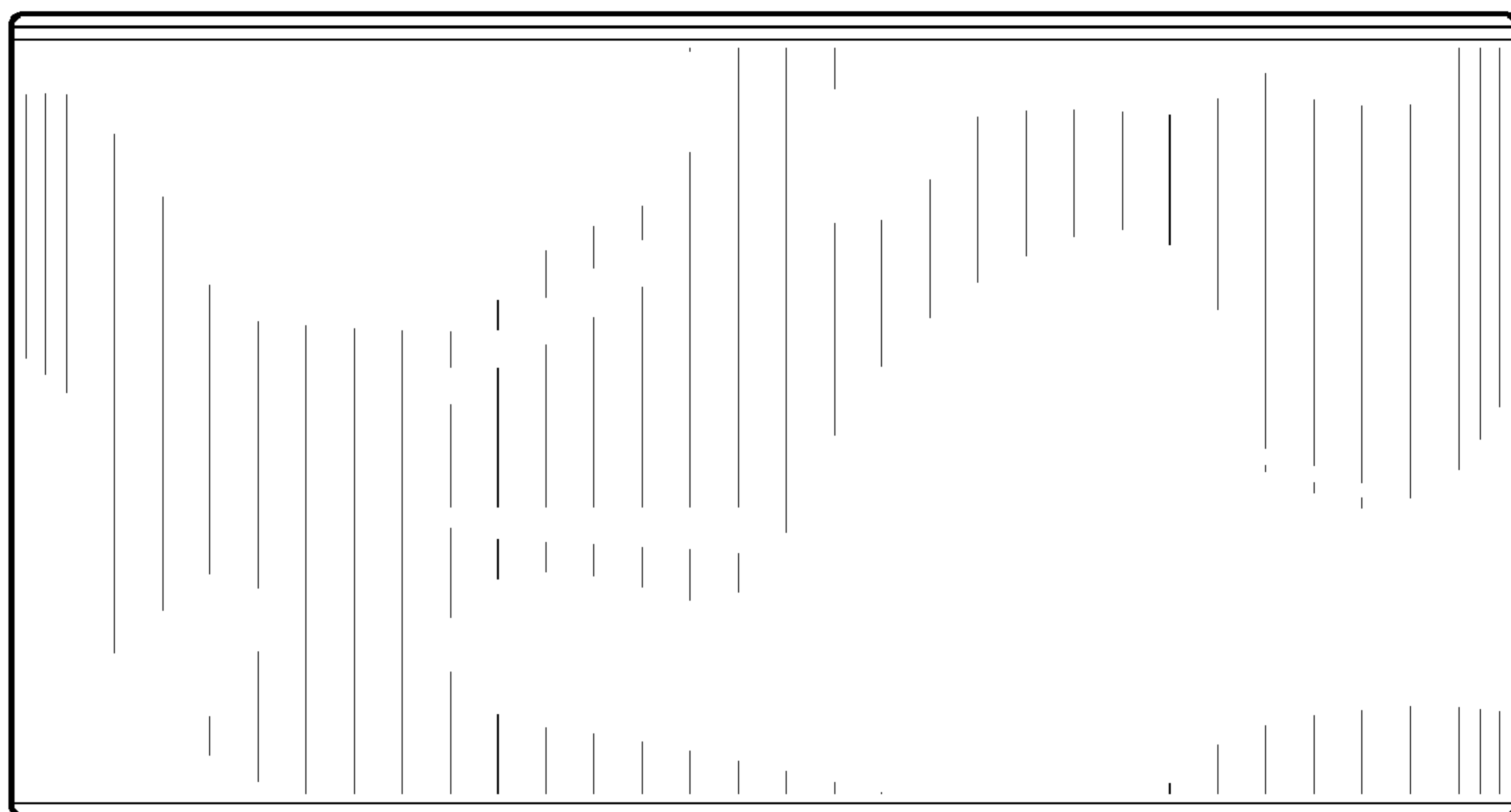


FIG. 3

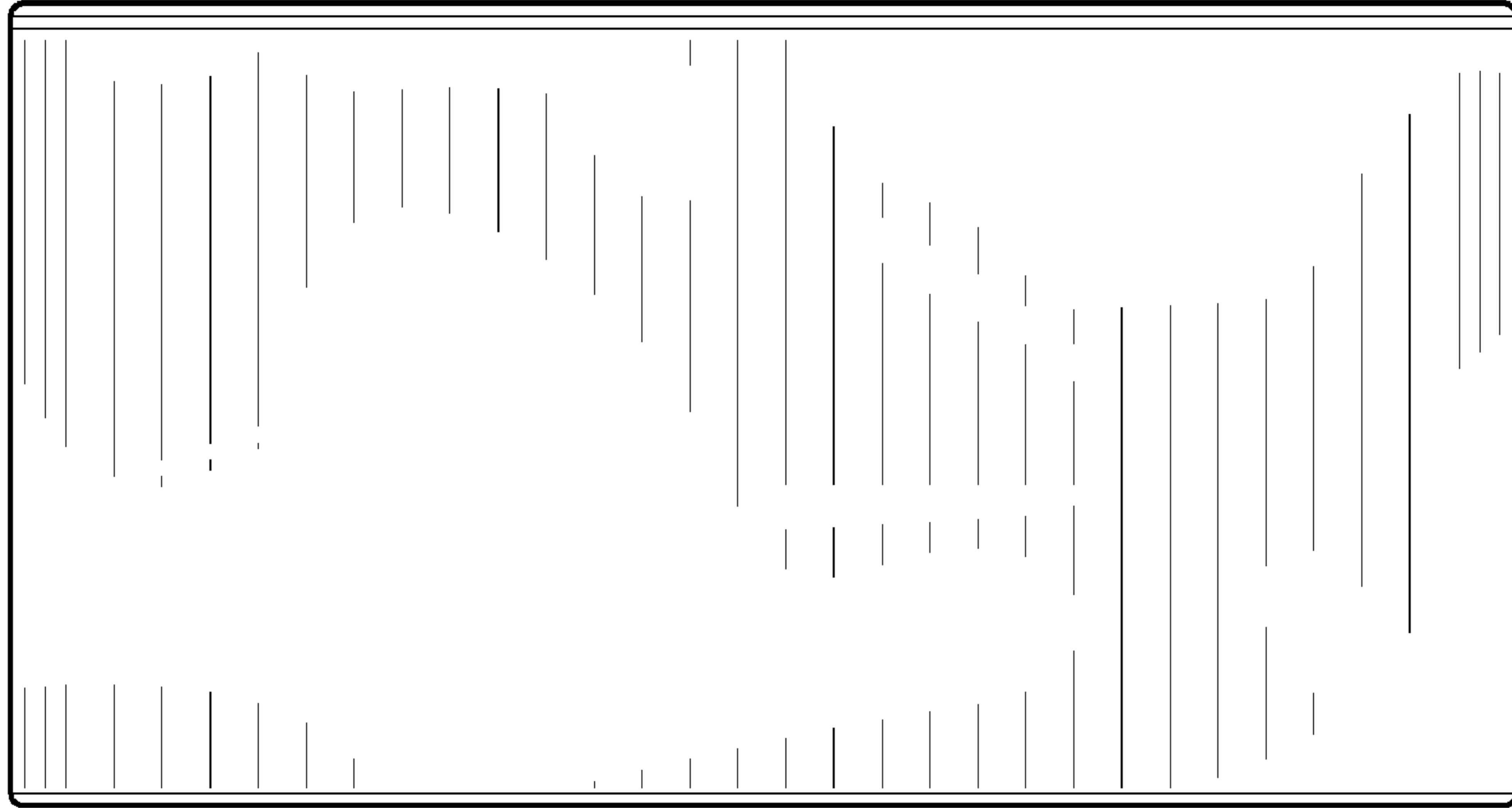


FIG. 4

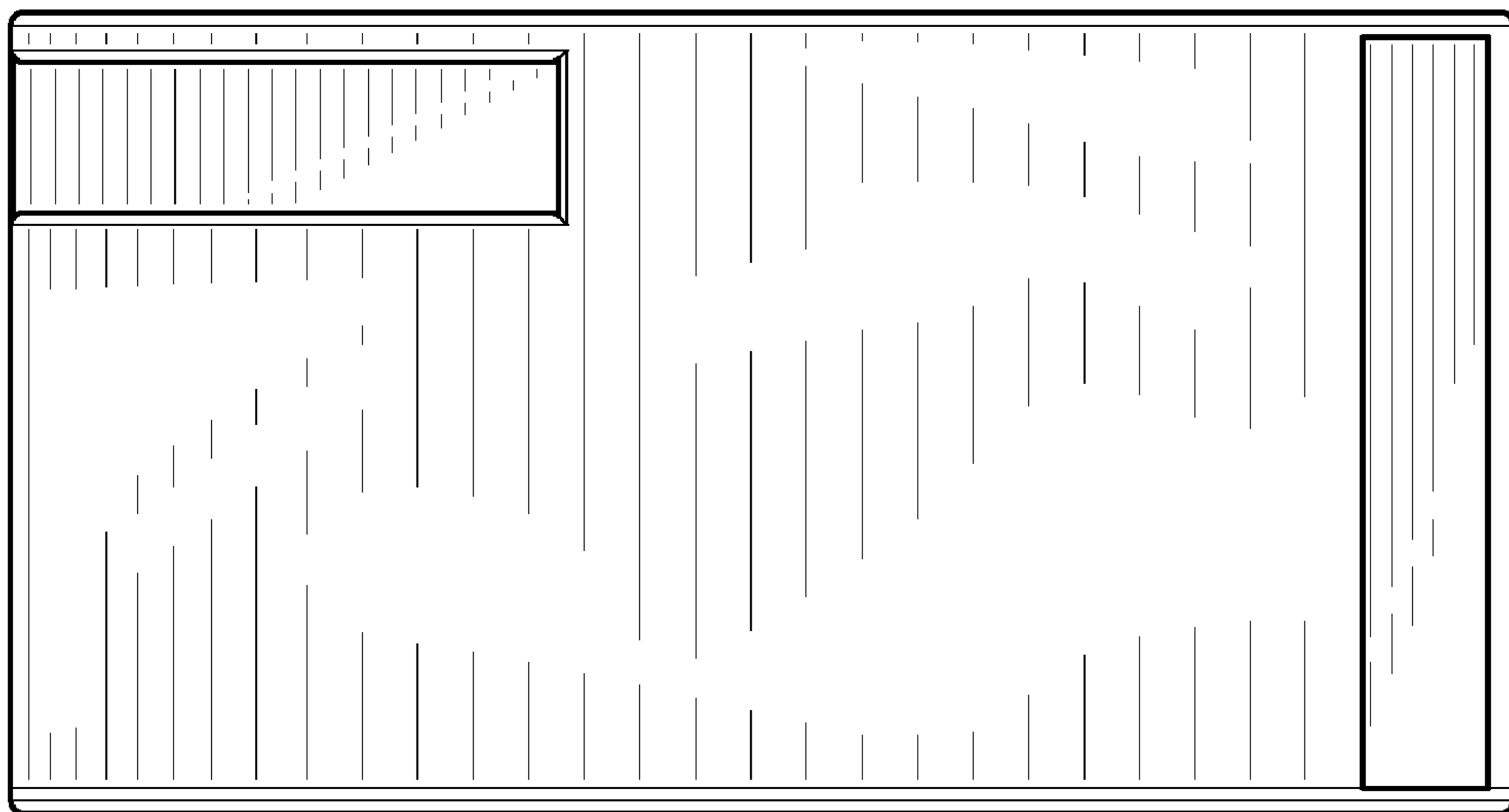


FIG. 5

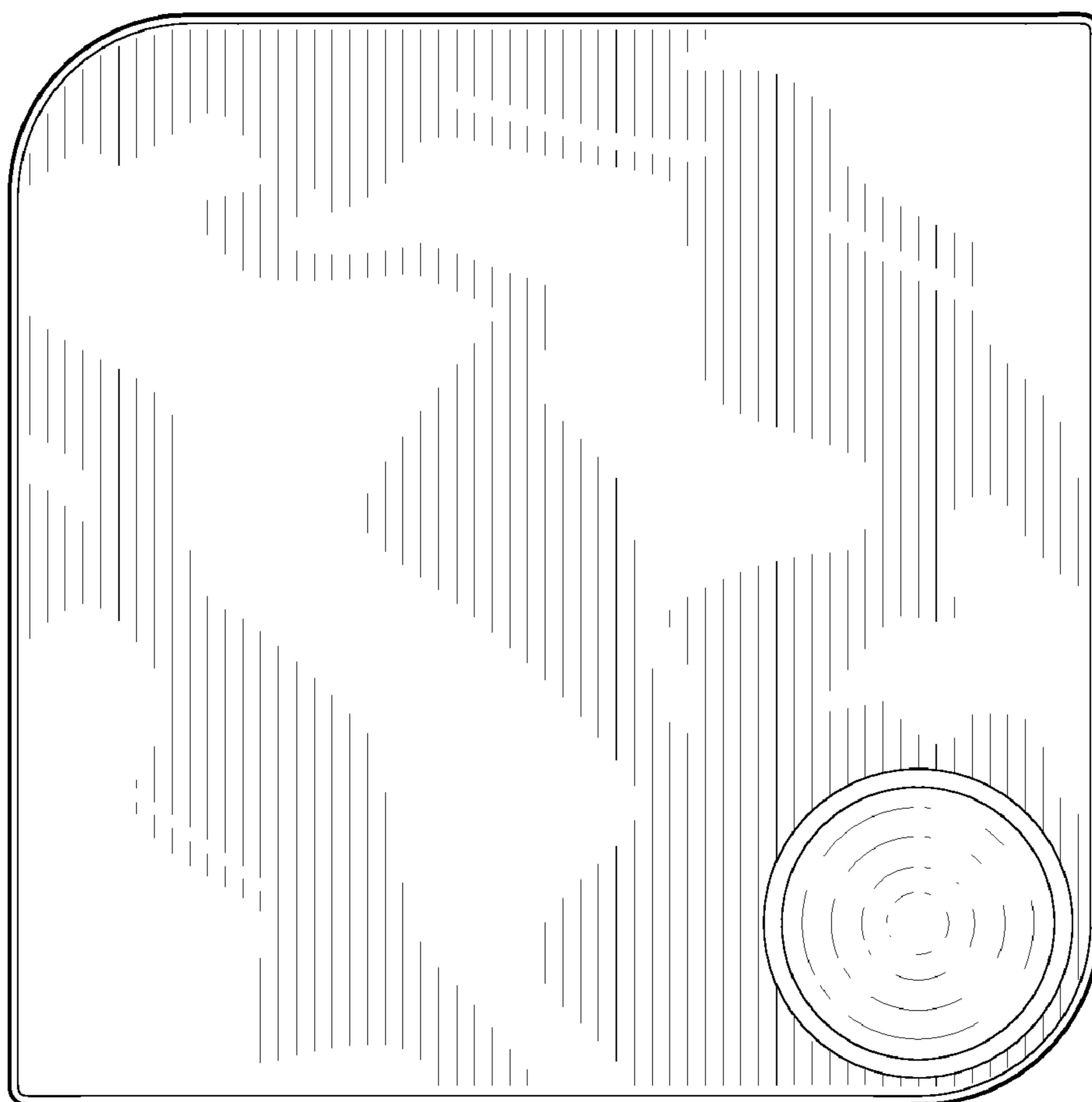


FIG. 6

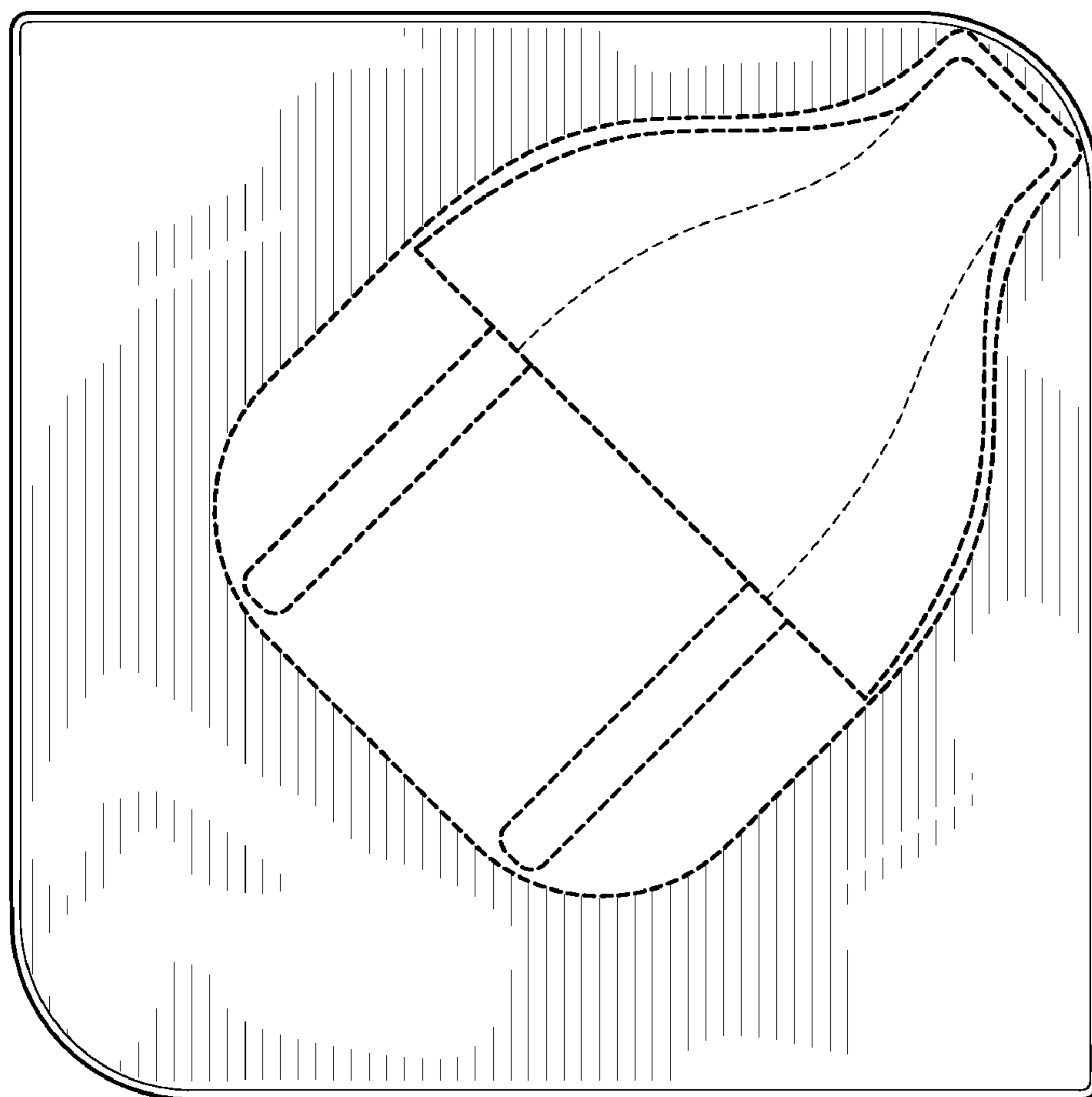


FIG. 7