



US00D632839S

(12) **United States Design Patent**
Kim et al.

(10) **Patent No.:** **US D632,839 S**
(45) **Date of Patent:** **** Feb. 15, 2011**

(54) **LED LAMP MODULE**

(75) Inventors: **Eunhwa Kim**, Uiwang (KR); **Dong Nyung Lim**, Anyang (KR)

(73) Assignee: **LG Innotek Co., Ltd**, Seoul (KR)

(**) Term: **14 Years**

(21) Appl. No.: **29/362,537**

(22) Filed: **May 27, 2010**

(30) **Foreign Application Priority Data**

Apr. 10, 2010 (KR) 30-2010-0015941
Apr. 10, 2010 (KR) 30-2010-0015943

(51) **LOC (9) Cl.** **26-99**

(52) **U.S. Cl.** **D26/138**

(58) **Field of Classification Search** D26/2,
D26/118, 120, 129, 138, 63, 65, 128, 154,
D26/119, 28, 155, 142, 121, 122, 152, 123,
D26/124, 153, 130, 141, 92, 87, 93, 85, 145;
D11/89, 90, 91, 92; 273/153 S, 160; 362/223,
362/544, 240, 545; D9/529; D21/478, 479;
D34/1; D7/509, 586; D13/134, 179, 180
See application file for complete search history.

(56) **References Cited**

U.S. PATENT DOCUMENTS

D107,554 S * 12/1937 Sibbert D26/121
D246,677 S * 12/1977 Nigg D26/65
D297,672 S * 9/1988 Skegin D26/63
4,985,815 A * 1/1991 Endo 362/294
5,398,177 A * 3/1995 Harwood 362/270
D361,146 S * 8/1995 Jandrisits et al. D26/63
D388,525 S * 12/1997 Lowell et al. D26/63
D416,349 S * 11/1999 Pahl D26/118
D417,307 S * 11/1999 Pahl D26/118
D442,717 S * 5/2001 Binsukor D26/63
D459,823 S * 7/2002 Kolbe D26/63
6,609,816 B2 * 8/2003 Ansari et al. 362/294
6,641,295 B1 * 11/2003 Hu 362/545
6,756,905 B2 * 6/2004 Rattman et al. 340/630

D510,151 S * 9/2005 Rashidi D26/74
7,217,022 B2 * 5/2007 Ruffin 362/554
D562,492 S * 2/2008 Chen D26/85
7,357,537 B2 * 4/2008 Masuoka et al. 362/346
7,588,359 B2 * 9/2009 Coushaine et al. 362/555
D606,690 S * 12/2009 Orrom et al. D26/61

(Continued)

Primary Examiner—Cathron C Brooks

Assistant Examiner—Kevin K Rudzinski

(74) *Attorney, Agent, or Firm*—Park, Kim & Suh, LLC

(57) **CLAIM**

The ornamental design for an LED lamp module, as shown and described.

DESCRIPTION

FIG. 1 is a perspective view of an LED lamp module showing our new design;

FIG. 2 is a front view thereof;

FIG. 3 is a rear view thereof;

FIG. 4 is a left side view thereof, a right side view being a mirror image of the left side view;

FIG. 5 is a top plan view thereof;

FIG. 6 is a bottom plan view thereof;

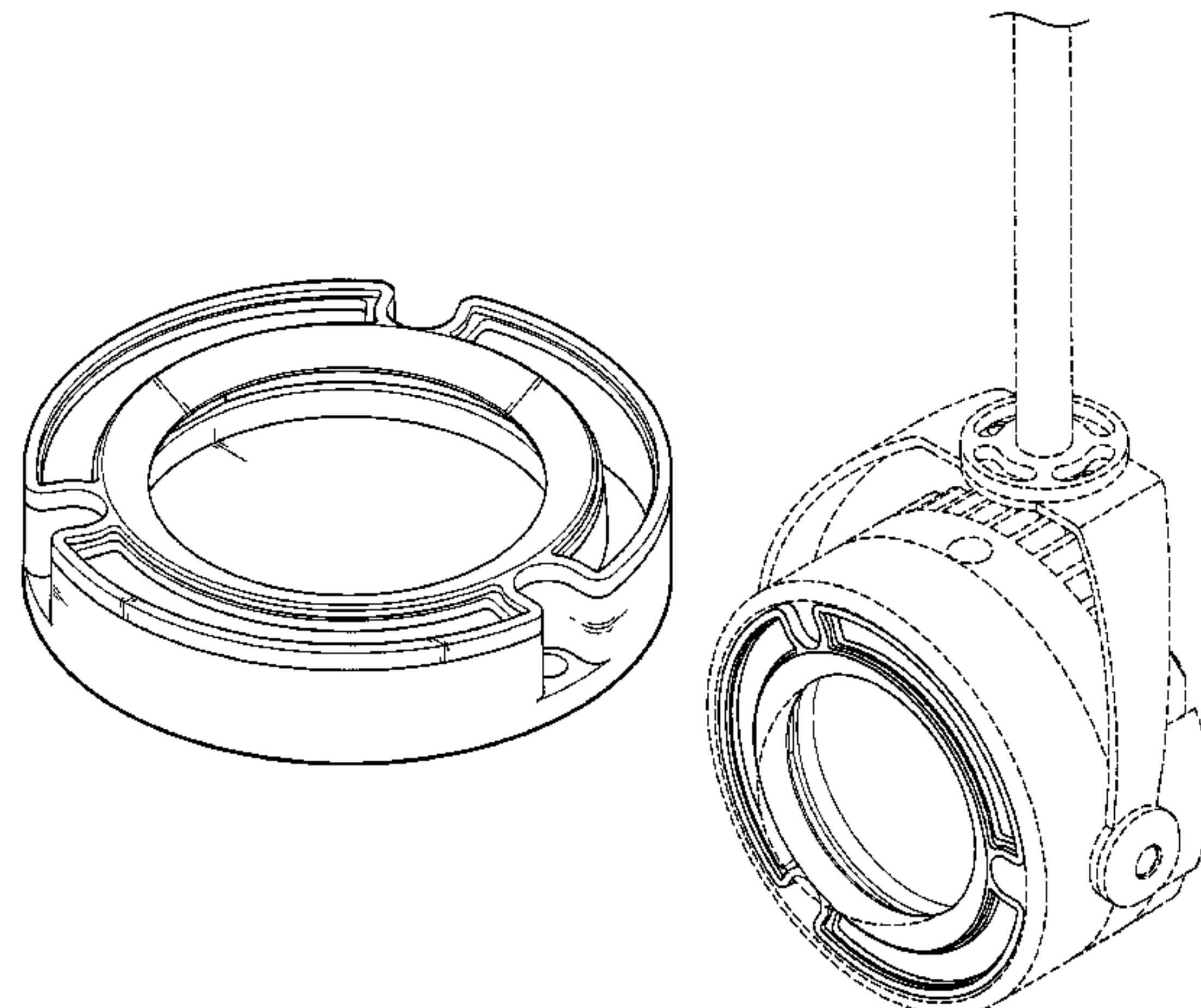
FIG. 7 is a cross-sectional view taken along line 7—7 in FIG. 5;

FIG. 8 is an exploded perspective view showing the LED lamp module shown in FIG. 1 in an environment of use with a lens; and,

FIG. 9 is a perspective view showing the LED lamp module shown in FIG. 1 in an environment of use with an LED lamp.

The broken lines shown in the figures illustrate environmental structures and form no part of the claimed design.

1 Claim, 9 Drawing Sheets



US D632,839 S

Page 2

U.S. PATENT DOCUMENTS			
D613,440 S *	4/2010	Lindholm	D26/63
2004/0057251 A1 *	3/2004	Isaacson et al.	362/555
2004/0066142 A1 *	4/2004	Stimac et al.	315/50
2006/0067086 A1 *	3/2006	Hsu	362/544
2006/0291206 A1 *	12/2006	Angelini et al.	362/244
2008/0130308 A1 *	6/2008	Behr et al.	362/507
2010/0127282 A1 *	5/2010	Harbers et al.	257/89

* cited by examiner

FIG. 1

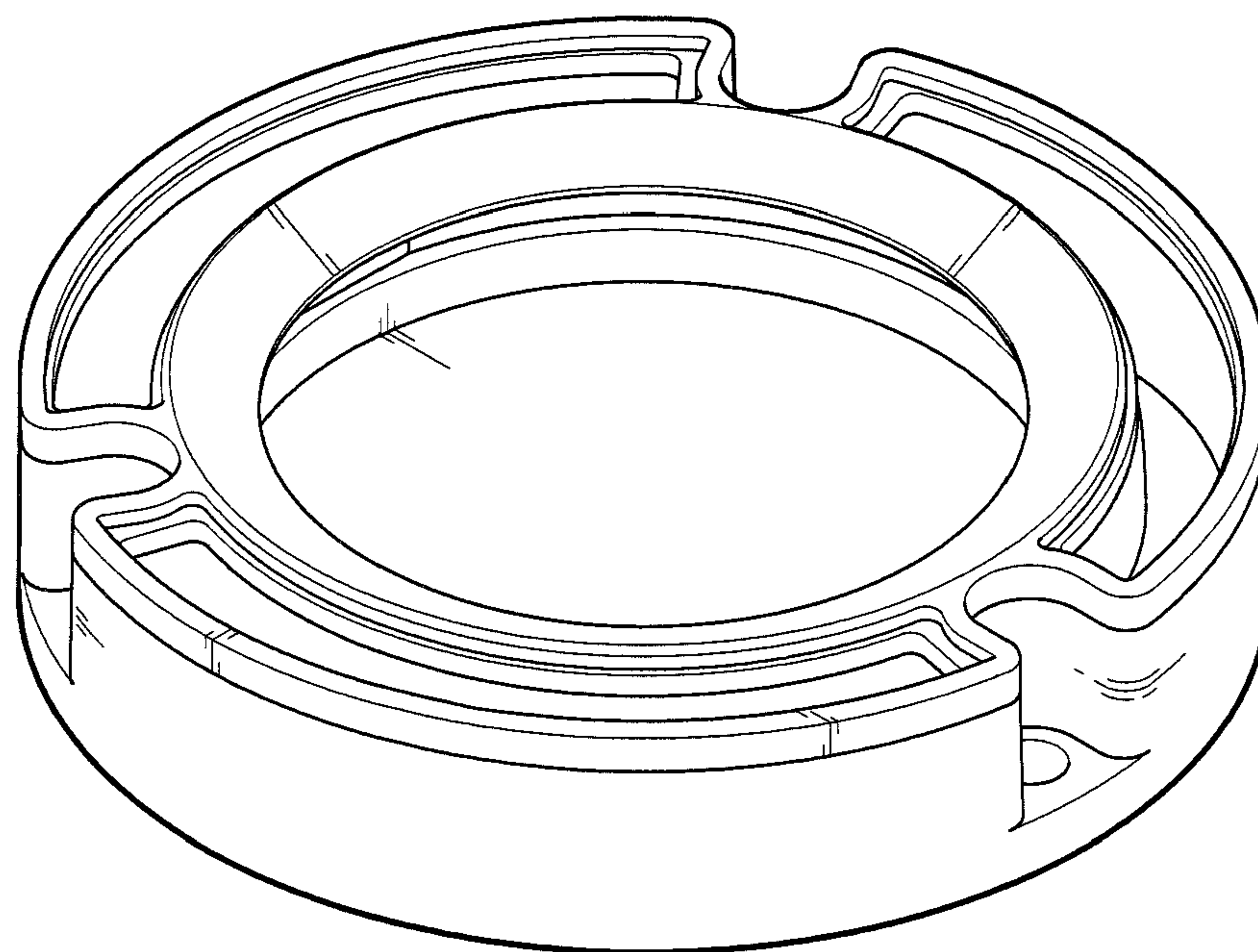


FIG. 2

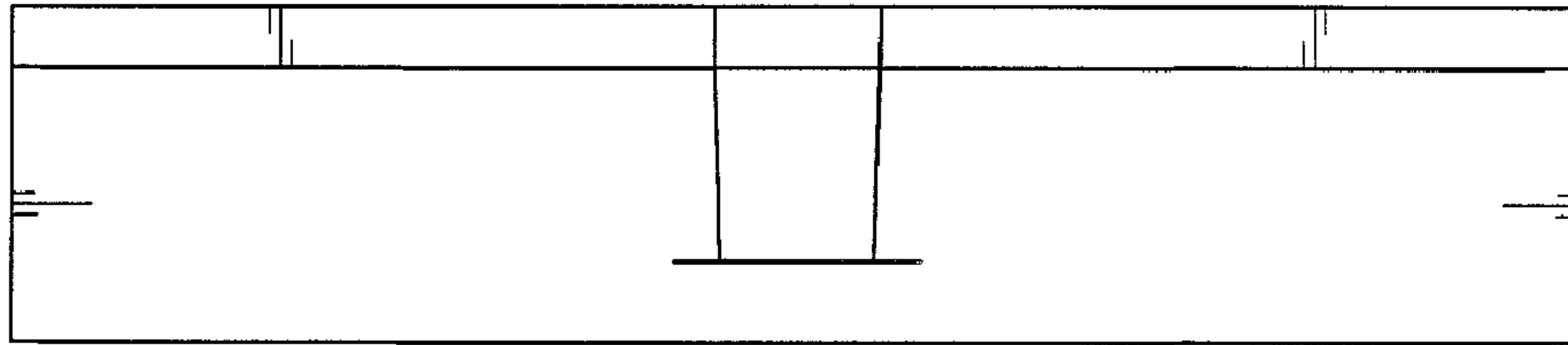


FIG. 3

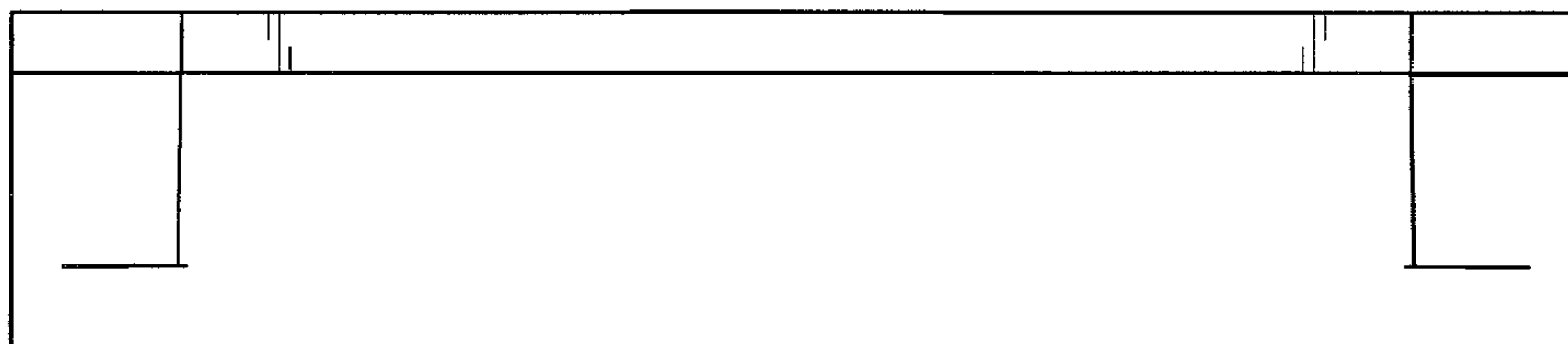


FIG. 4

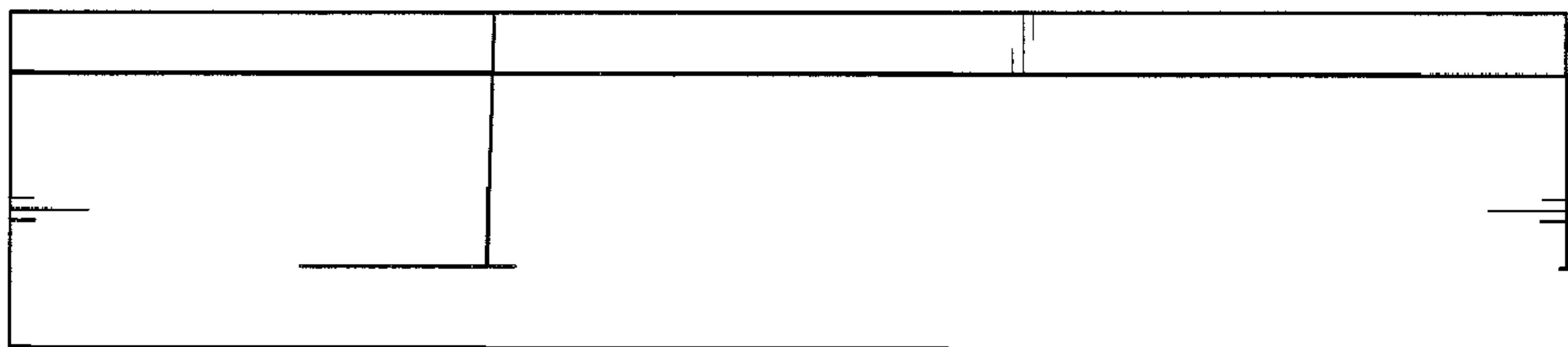


FIG. 5

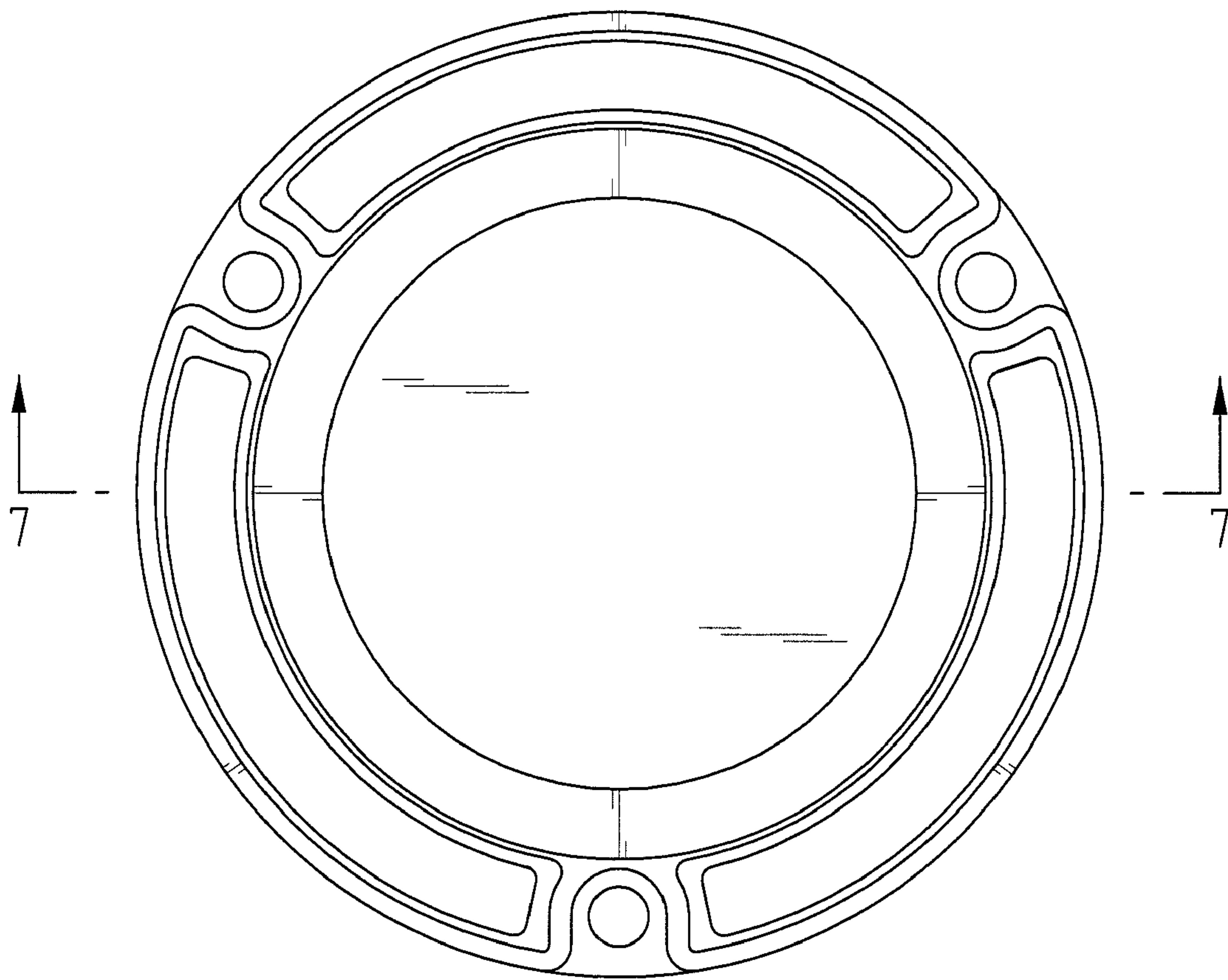


FIG. 6

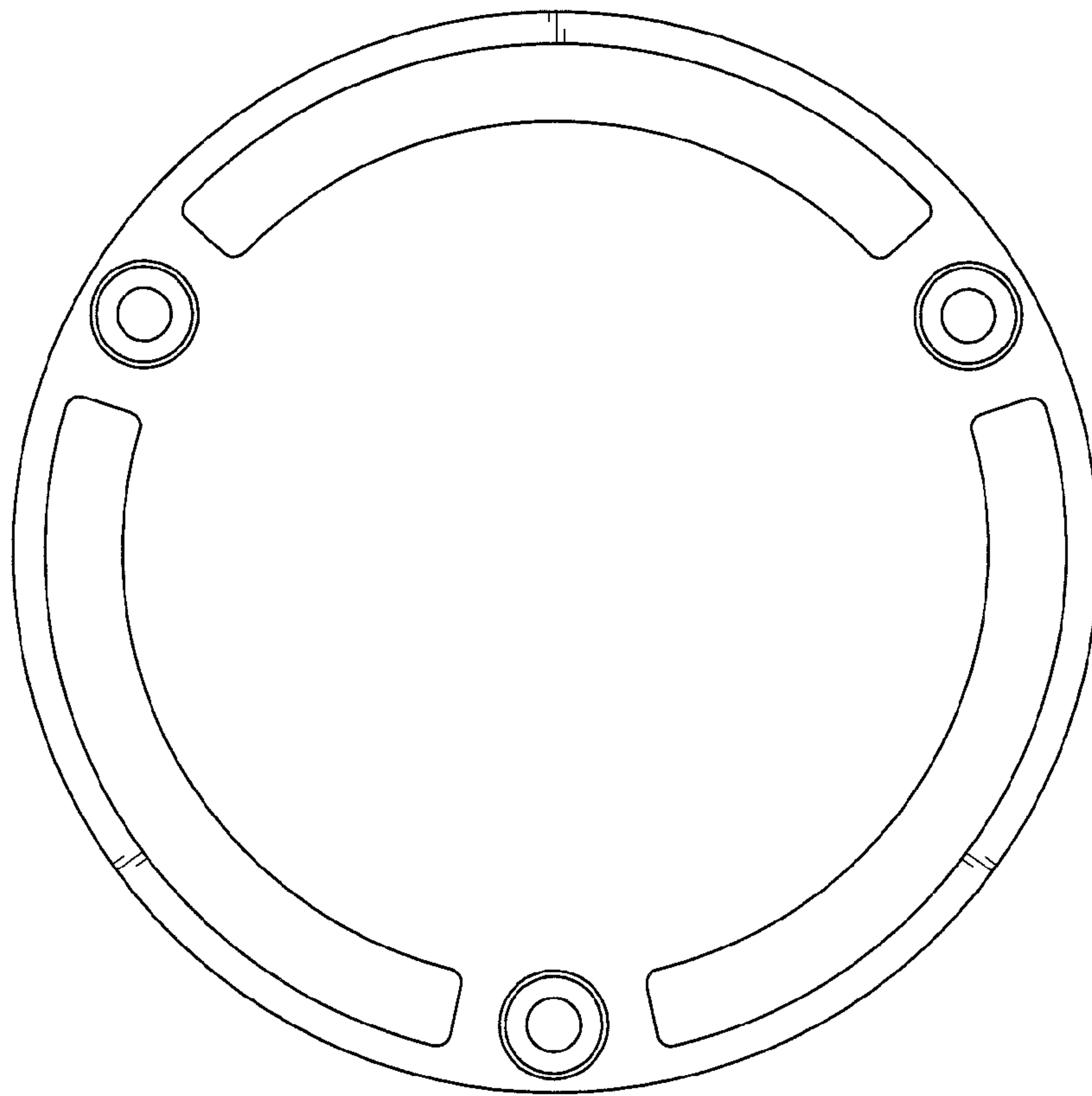


FIG. 7

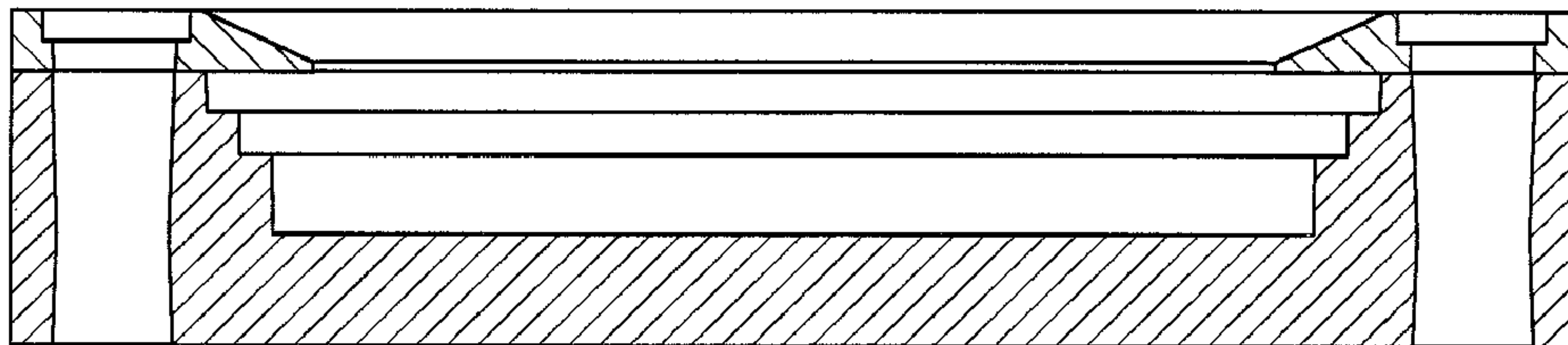


FIG. 8

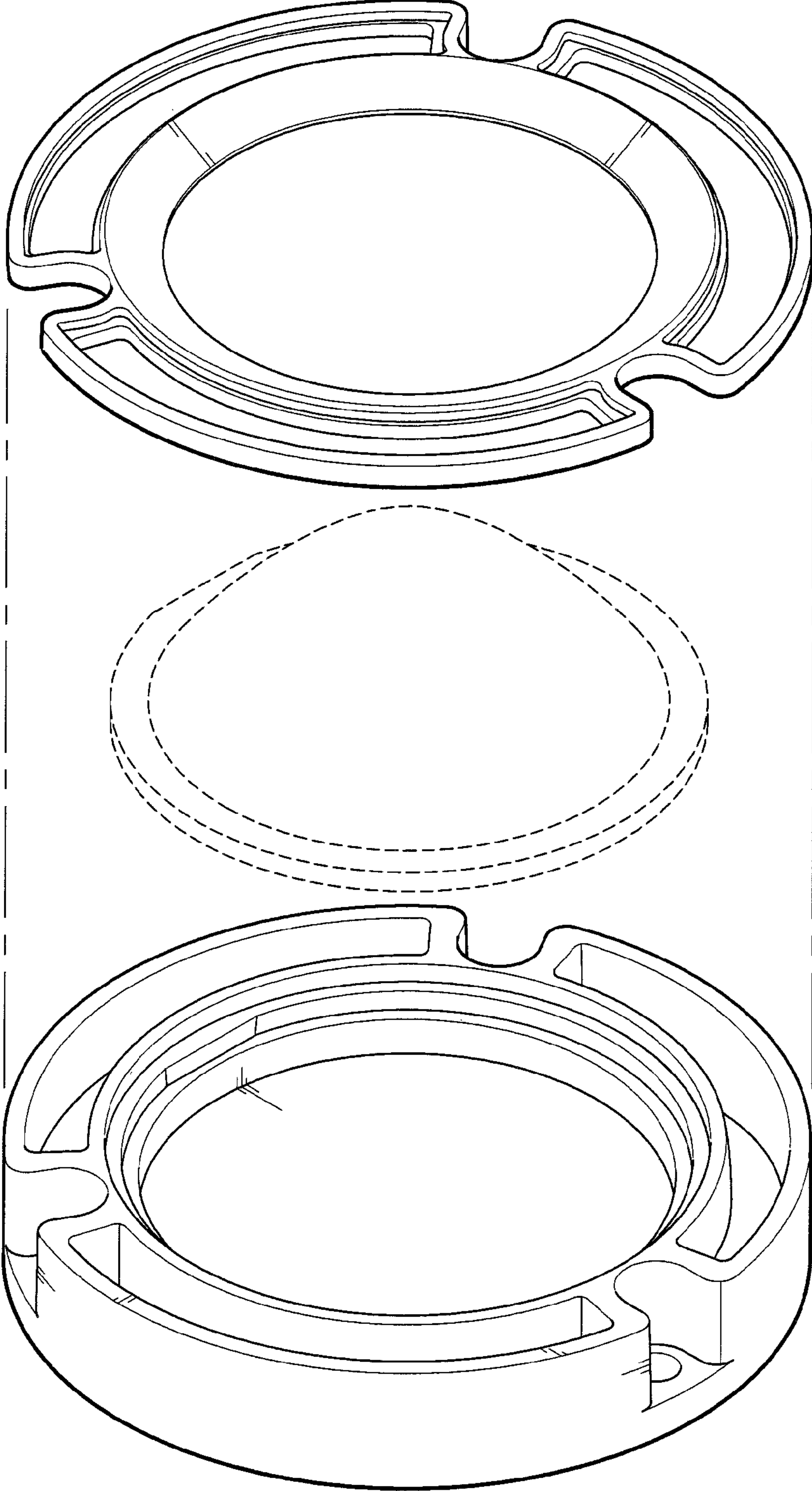


FIG. 9

