



US00D632838S

(12) **United States Design Patent**
Cunius

(10) **Patent No.:** **US D632,838 S**
(45) **Date of Patent:** **** Feb. 15, 2011**

(54) **FESTOON LAMP SOCKET WITH FASTENER LUG**

(75) Inventor: **Jeff R. Cunius**, Ontario, CA (US)

(73) Assignee: **Troy-CSL Lighting, Inc.**, City of Industry, CA (US)

(**) Term: **14 Years**

(21) Appl. No.: **29/342,039**

(22) Filed: **Aug. 17, 2009**

Related U.S. Application Data

(62) Division of application No. 29/279,982, filed on May 11, 2007, now Pat. No. Des. 598,603.

(51) **LOC (9) Cl.** **26-99**

(52) **U.S. Cl.** **D26/138**

(58) **Field of Classification Search** D26/138, D26/63, 128, 124, 24, 87, 145, 155, 140, D26/85, 113, 142, 118, 64, 2, 3, 68, 71, 67, D26/76, 65, 120; 362/219, 249.01, 249.02, 362/249.03, 249.04, 249.05, 249.06, 249.07, 362/249.08, 249.09, 249.1, 249.11, 580, 362/373, 290, 362, 183, 240, 294; D7/532, D7/530, 529, 523, 531, 587; D11/152, 153, D11/146; D16/134, 135, 101; 439/110, 439/698, 417, 320; D13/134, 179, 180

See application file for complete search history.

(56) **References Cited**

U.S. PATENT DOCUMENTS

2,942,228	A *	6/1960	Swick	439/698
3,131,871	A *	5/1964	Foulds	362/146
3,156,841	A *	11/1964	Ayres	313/49
4,241,498	A *	12/1980	Brandeau	29/861
4,979,081	A *	12/1990	Leach et al.	362/219
5,027,262	A *	6/1991	Freed	362/249.08
5,041,953	A *	8/1991	Dannatt	362/219
5,108,314	A *	4/1992	Takano et al.	439/620.34
5,206,799	A *	4/1993	Tiesler	362/296.04
5,321,593	A *	6/1994	Moates	362/249.05

5,354,208	A *	10/1994	Salaski et al.	439/230
5,455,754	A *	10/1995	Hoffner	362/249.07
5,481,441	A *	1/1996	Stevens	362/35
5,609,410	A *	3/1997	Rives	362/640
5,615,944	A *	4/1997	Siegfried et al.	362/548
5,707,136	A *	1/1998	Byers	362/145
5,751,117	A *	5/1998	Abbott	315/244
5,785,411	A *	7/1998	Komai et al.	362/219
D399,594	S *	10/1998	Patik	D26/138
5,833,358	A *	11/1998	Patik	362/391
6,273,587	B1 *	8/2001	Demshki	362/235
6,494,594	B1 *	12/2002	Schroetter	362/249.01
6,716,042	B2 *	4/2004	Lin	439/110
6,802,626	B2 *	10/2004	Belfer et al.	362/249.03
D504,526	S *	4/2005	Perkins et al.	D25/138
6,971,767	B2 *	12/2005	Agabekov et al.	362/236
7,063,451	B2 *	6/2006	Shen	362/648
7,160,140	B1 *	1/2007	Mrakovich et al.	439/417
7,165,863	B1 *	1/2007	Thomas et al.	362/219

(Continued)

Primary Examiner—Cathron C Brooks
Assistant Examiner—Kevin K Rudzinski
(74) *Attorney, Agent, or Firm*—Law Offices of Natan Epstein

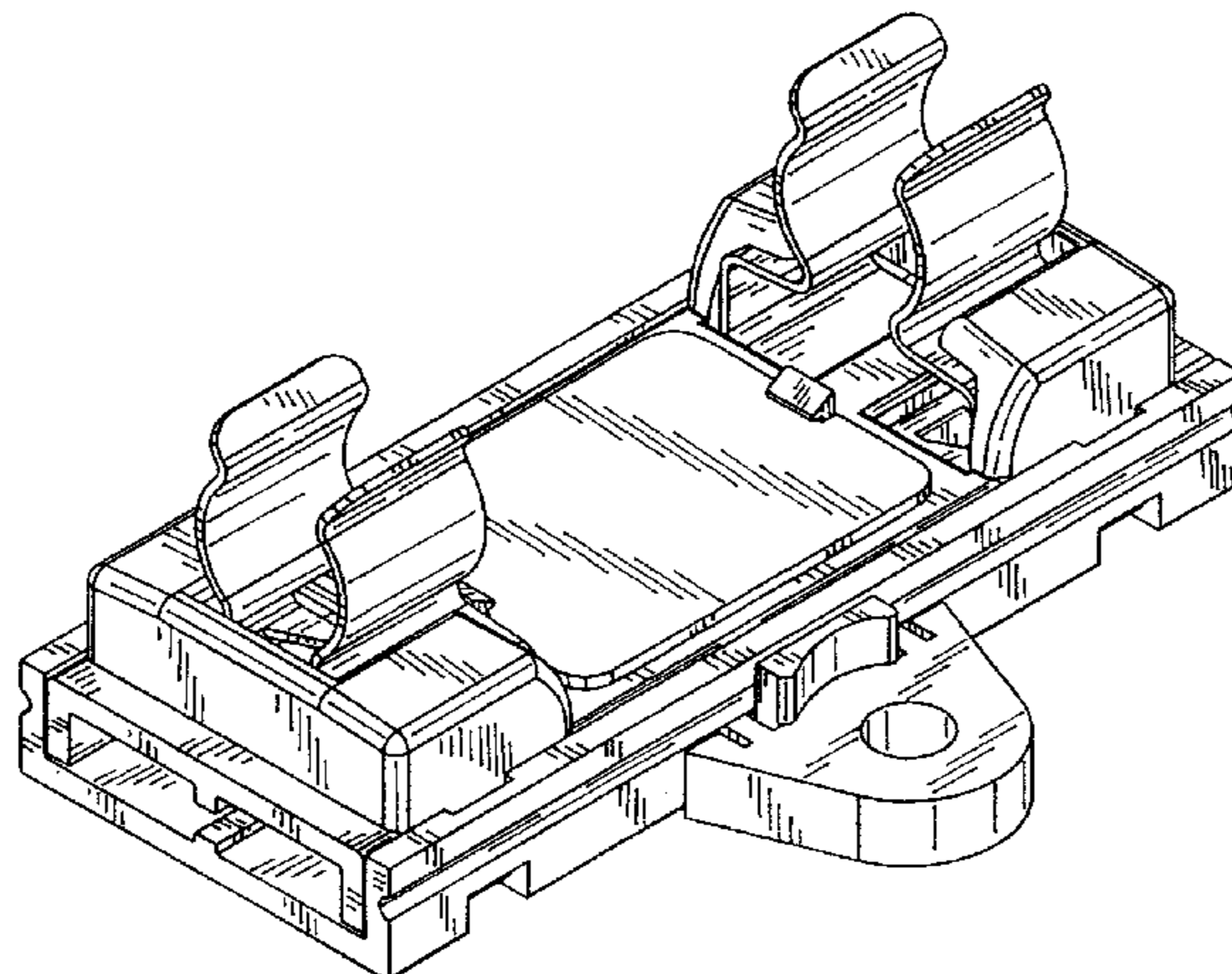
(57) **CLAIM**

The ornamental design for festoon lamp socket with fastener lug, as shown and described.

DESCRIPTION

FIG. 1 is a front left top perspective view of a festoon lamp socket with fastener lug showing my new design;
FIG. 2 is a right side view thereof;
FIG. 3 is a back view thereof; and,
FIG. 4 is a bottom view thereof.

1 Claim, 2 Drawing Sheets



US D632,838 S

Page 2

U.S. PATENT DOCUMENTS		2003/0223232 A1*	12/2003	Belfer et al.	362/219
D536,822 S *	2/2007	Pyshos et al.	D26/138		
7,465,063 B2*	12/2008	Stillman	362/225		
						* cited by examiner

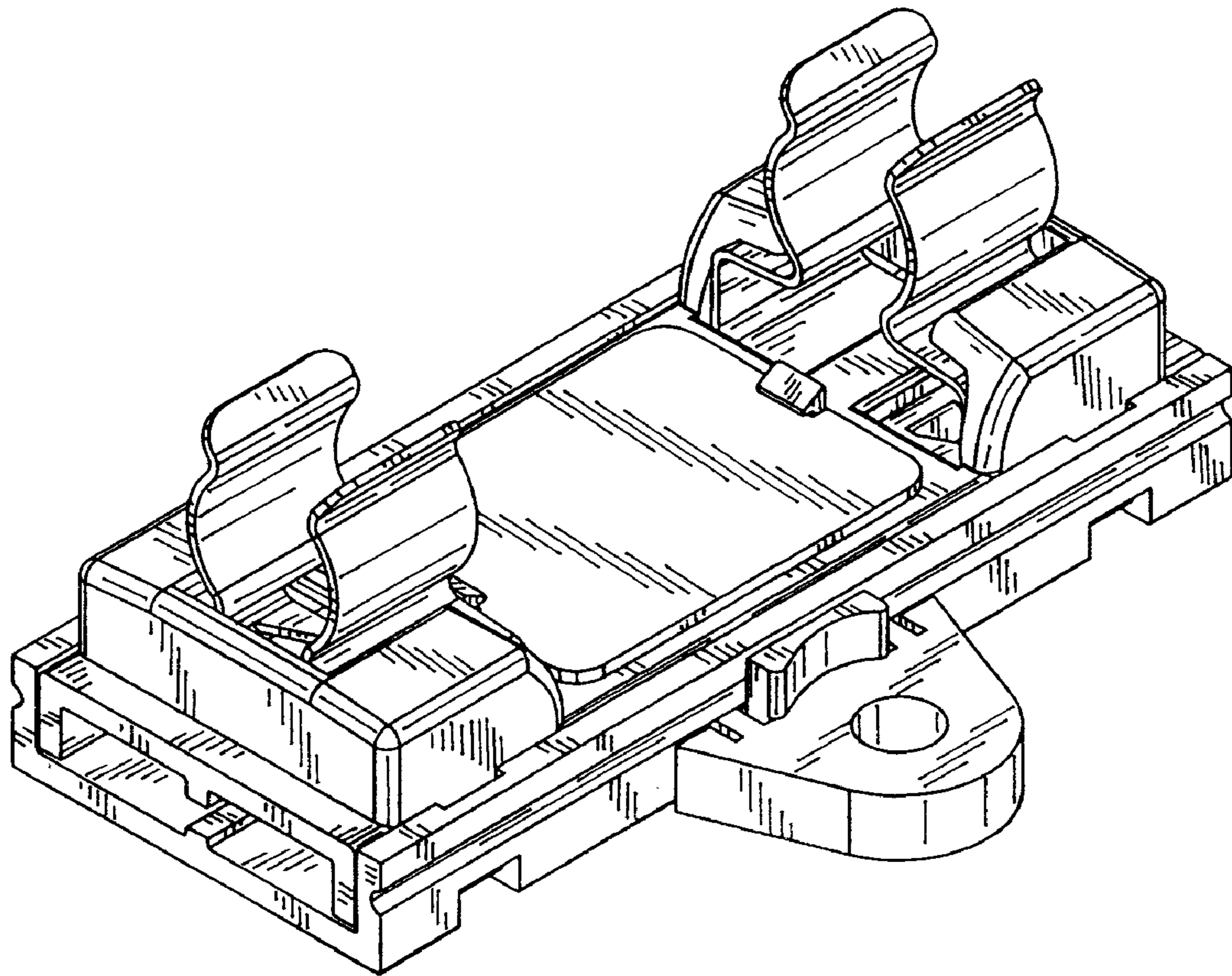


FIG. 1

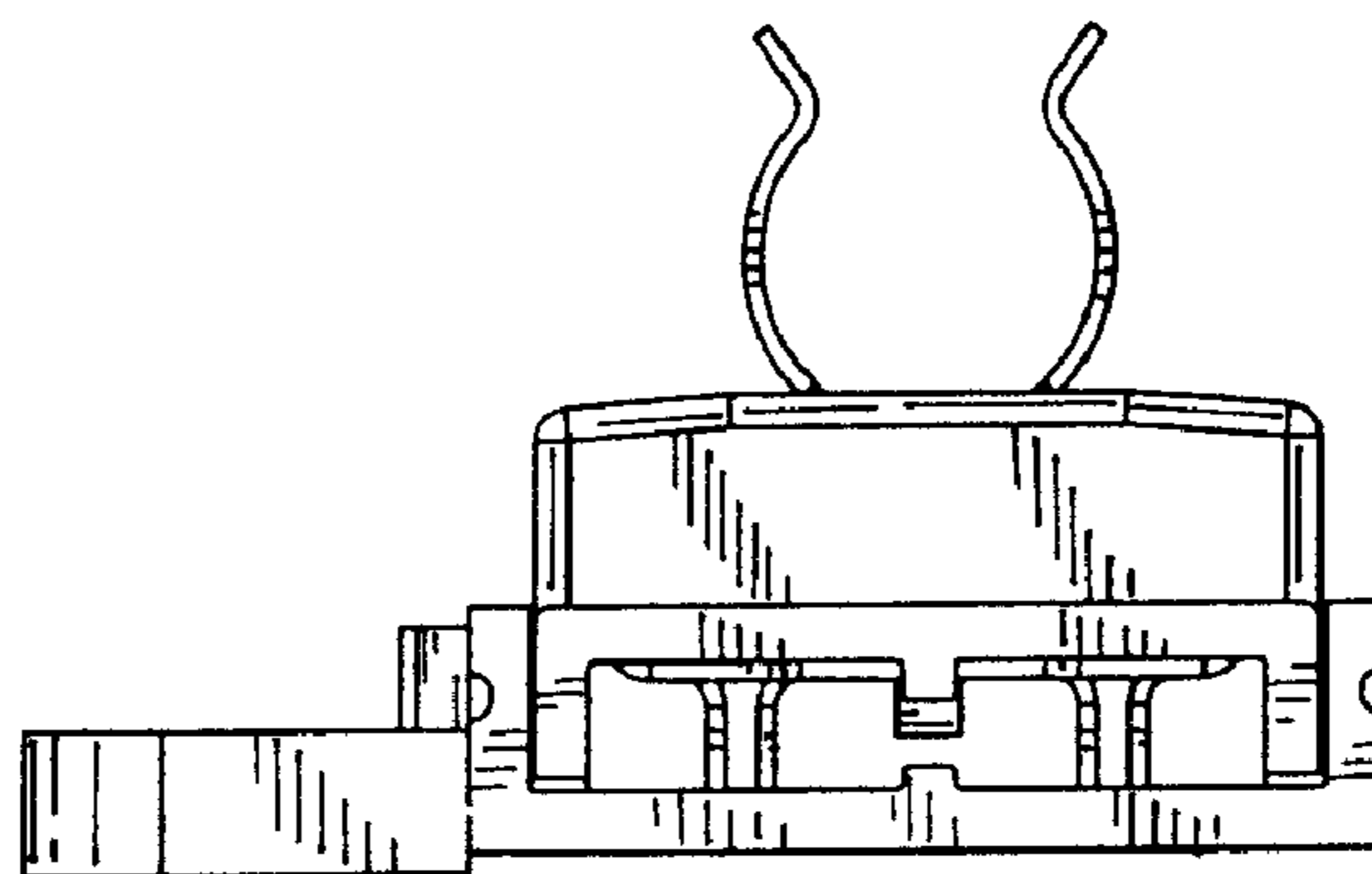


FIG. 2

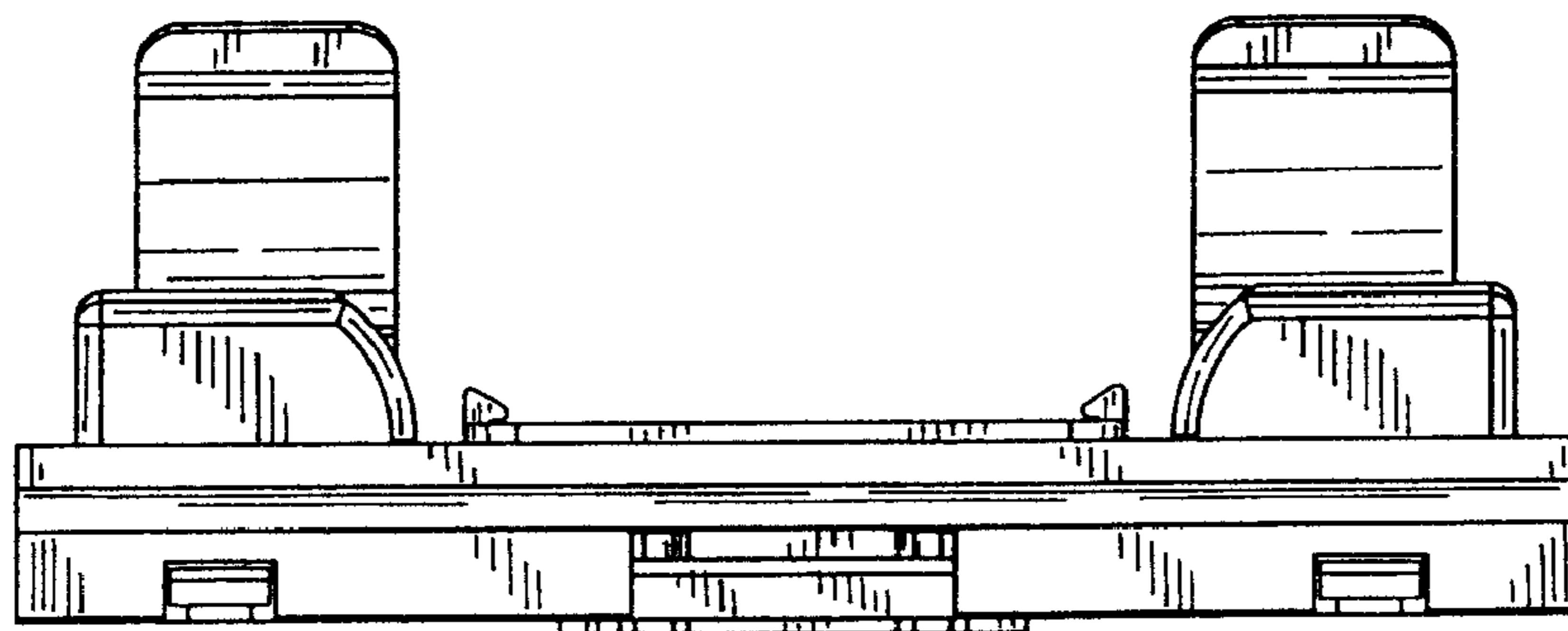


FIG. 3

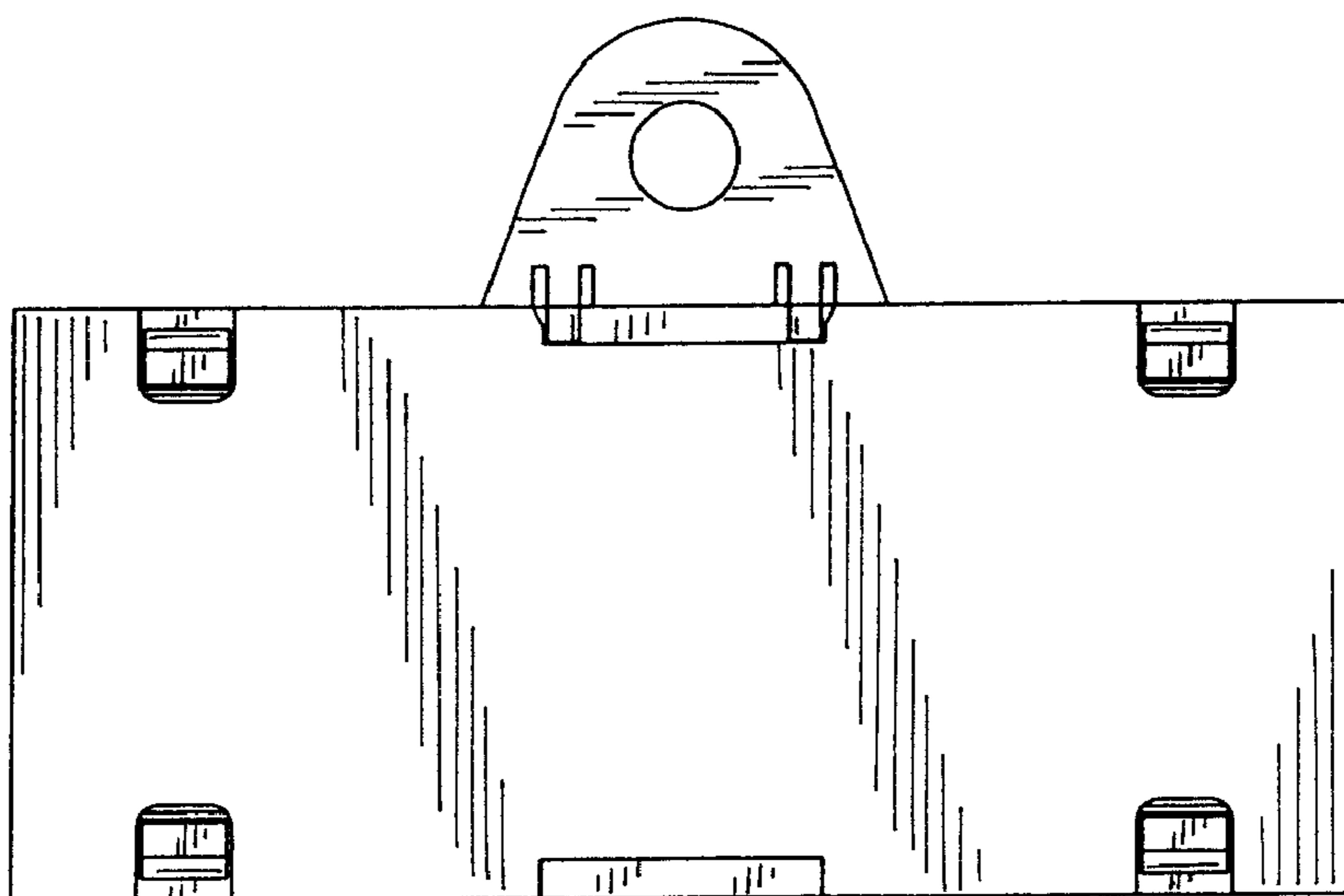


FIG. 4