



US00D632836S

(12) **United States Design Patent**  
**Kuchar et al.**

(10) **Patent No.:** **US D632,836 S**  
(45) **Date of Patent:** **\*\* Feb. 15, 2011**

(54) **LUMINAIRE**

(75) Inventors: **James Edward Kuchar**, Fall River, MA (US); **Rachel Andrée Rosenkrantz**, Providence, RI (US); **Mohamed Aslam Khazi**, West Bloomfield, MI (US); **Richard Otto Meyer**, Providence, RI (US)

(73) Assignee: **Koninklijke Philips Electronics N.V.**, Eindhoven (NL)

(\*\*) Term: **14 Years**

(21) Appl. No.: **29/360,410**

(22) Filed: **Apr. 26, 2010**

(51) **LOC (9) Cl.** ..... **26-99**

(52) **U.S. Cl.** ..... **D26/128**

(58) **Field of Classification Search** ..... D26/138,  
D26/63, 128, 124, 24, 87, 145, 155, 140,  
D26/85, 113, 142, 118, 64, 2, 3, 68, 71, 67,  
D26/76, 65, 120; 362/219, 249.01, 249.02,  
362/249.03, 249.04, 249.05, 249.06, 249.07,  
362/249.08, 249.09, 249.1, 249.11, 580,  
362/373, 290, 362, 183, 240, 294; D7/532,  
D7/530, 529, 523, 531, 587; D11/152, 153,  
D11/146; D16/134, 135, 101; 439/110,  
439/698, 417, 320; D13/134, 179, 180

See application file for complete search history.

(56) **References Cited**

**U.S. PATENT DOCUMENTS**

2,740,885 A \* 4/1956 Kruger ..... 362/220  
D195,876 S \* 8/1963 Atkin et al. .... D26/63  
D353,474 S \* 12/1994 Shyan ..... D26/63  
5,971,571 A \* 10/1999 Rose ..... 362/346

D445,936 S \* 7/2001 Mier-Langner et al. .... D26/63  
D453,227 S \* 1/2002 Lin ..... D26/63  
D475,157 S \* 5/2003 Mier-Langner et al. .... D26/118  
D479,015 S \* 8/2003 Tang ..... D26/63  
D482,487 S \* 11/2003 Russello et al. .... D26/87  
6,843,581 B2 \* 1/2005 Mier-Langner et al. .... 362/220  
D537,973 S \* 3/2007 Mier-Langner et al. .... D26/63  
7,275,843 B2 \* 10/2007 Mier-Langner et al. .... 362/404  
D582,581 S \* 12/2008 Wilkinson ..... D26/24  
D589,638 S \* 3/2009 Collins ..... D26/72  
D597,242 S \* 7/2009 Purcell ..... D26/76  
2007/0171658 A1 \* 7/2007 Tickner ..... 362/362

\* cited by examiner

*Primary Examiner*—Cathron C Brooks  
*Assistant Examiner*—Kevin K Rudzinski

(57) **CLAIM**

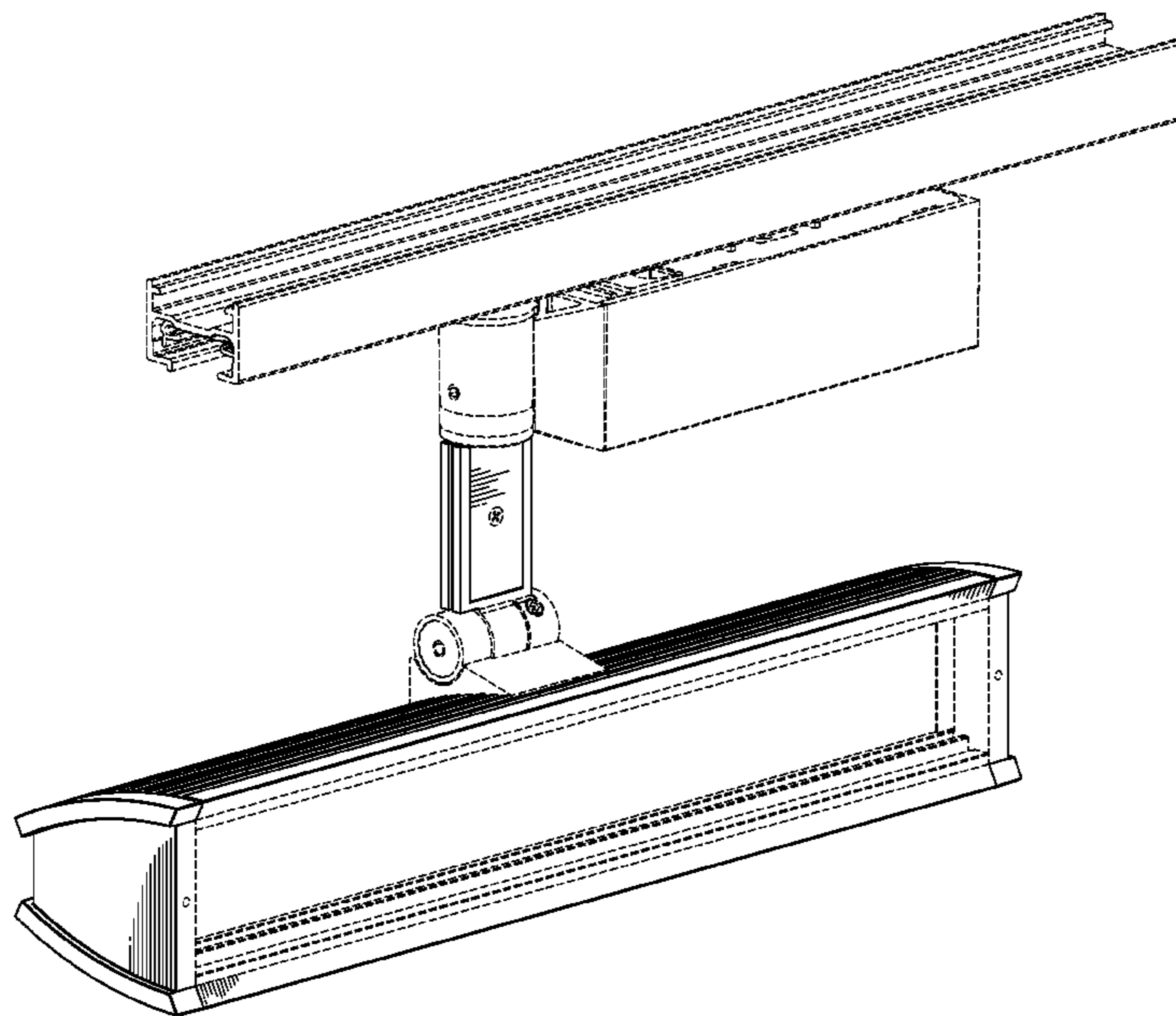
The ornamental design for a luminaire, as shown and described.

**DESCRIPTION**

FIG. 1 is a top front perspective view of the luminaire of the present invention;  
FIG. 2 is a front elevation view thereof;  
FIG. 3 is a rear elevation view thereof;  
FIG. 4 is an enlarged right side elevation view thereof;  
FIG. 5 is an enlarged left side elevation view thereof;  
FIG. 6 is a top plan view thereof;  
FIG. 7 is a bottom plan view thereof; and,  
FIG. 8 is a bottom rear perspective view thereof.

The broken lines shown are included for the purpose of illustrating environmental structures and form no part of the claimed design.

**1 Claim, 8 Drawing Sheets**



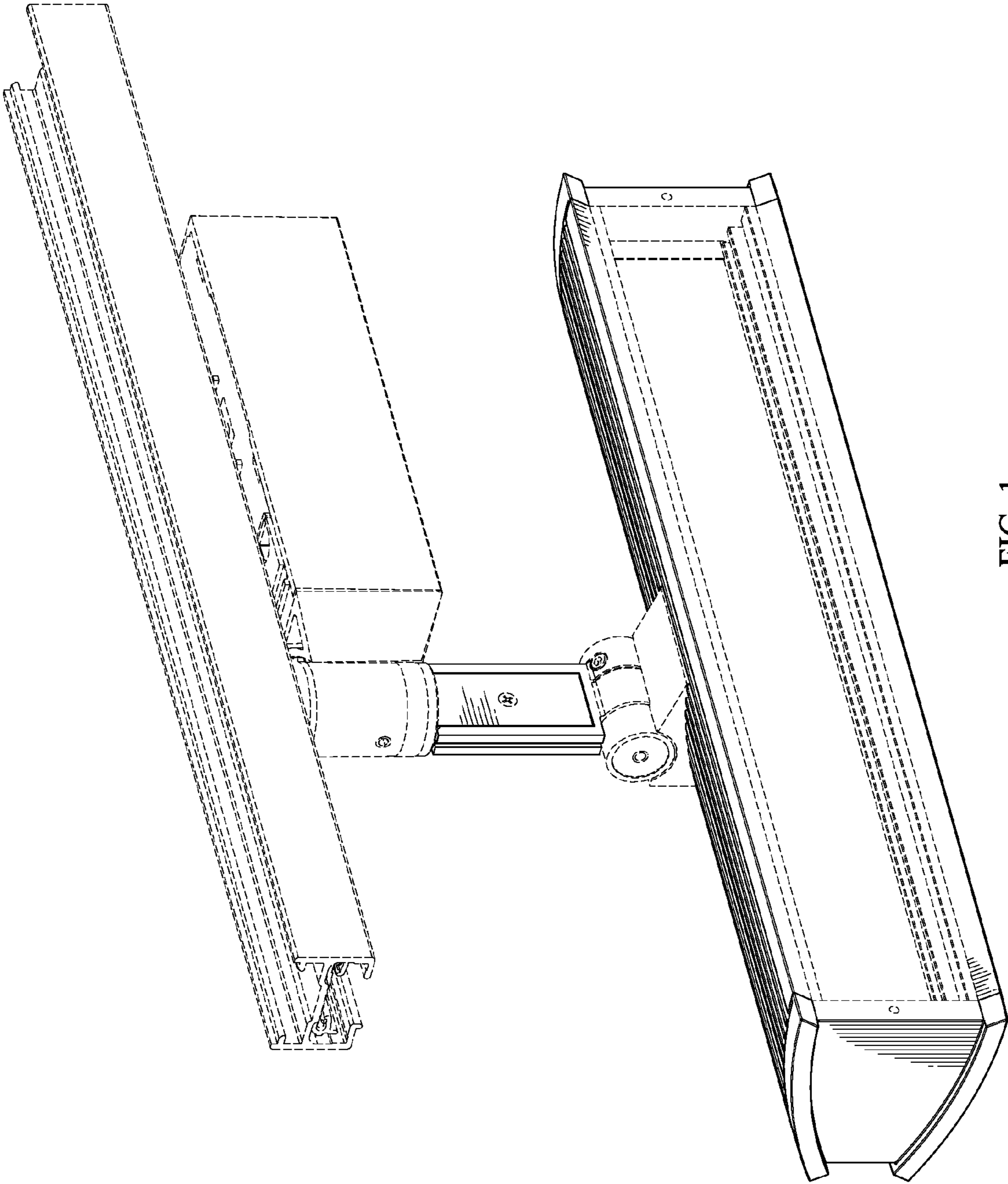


FIG. 1

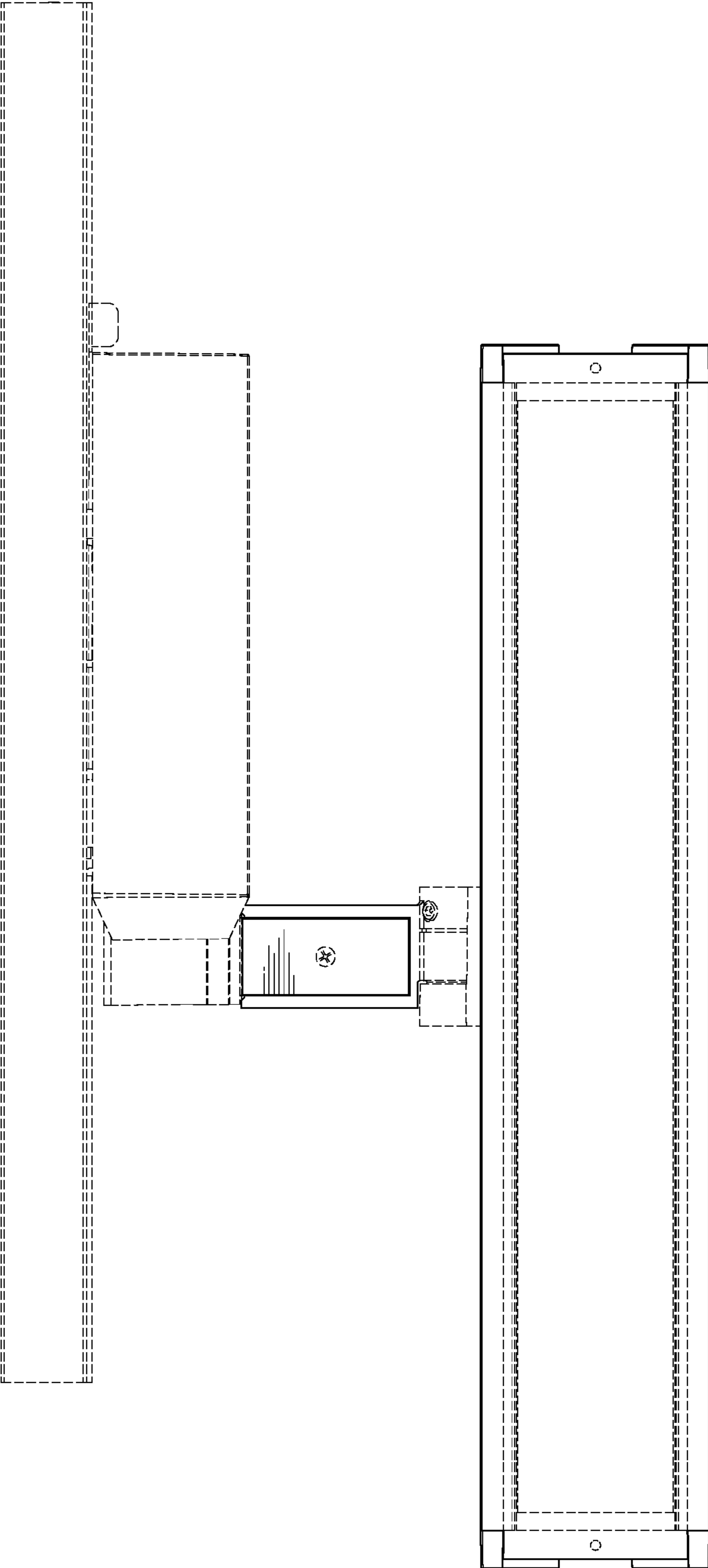


FIG. 2

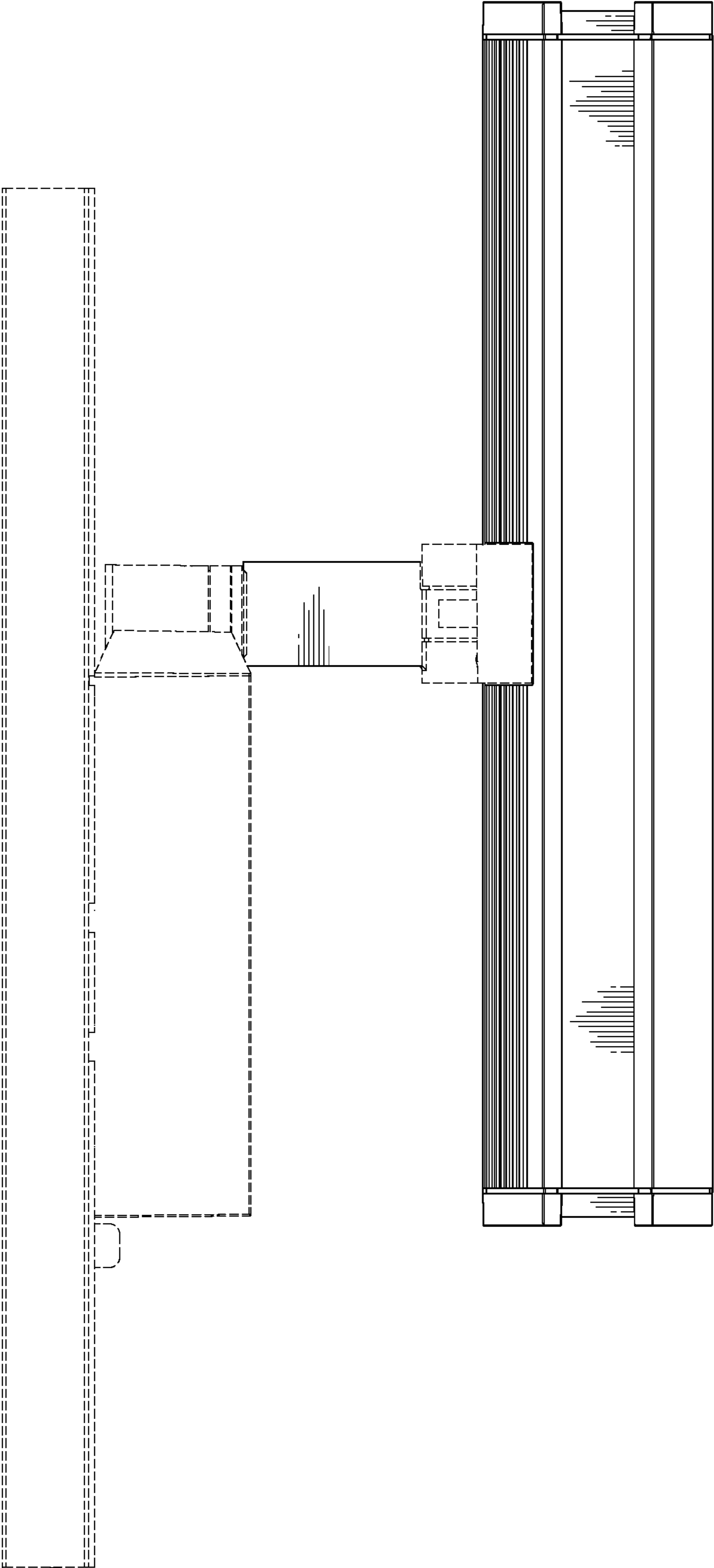


FIG. 3

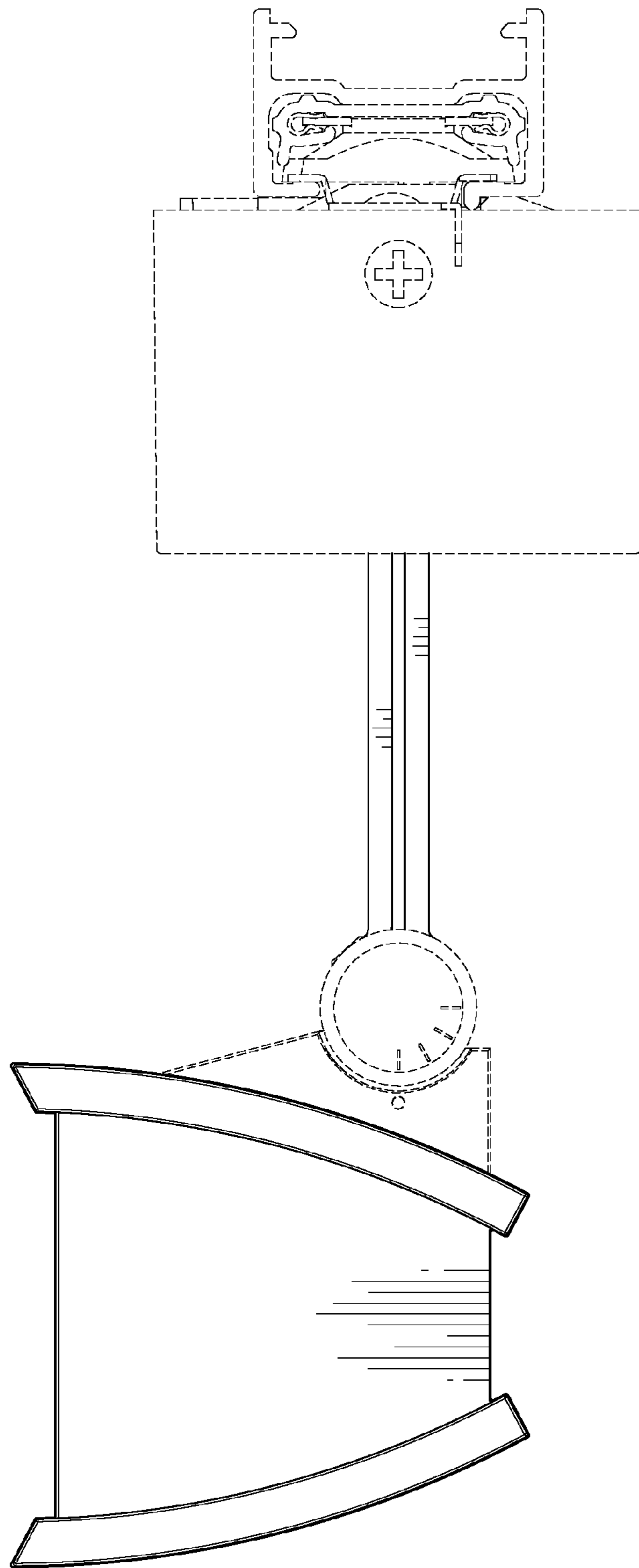


FIG. 4

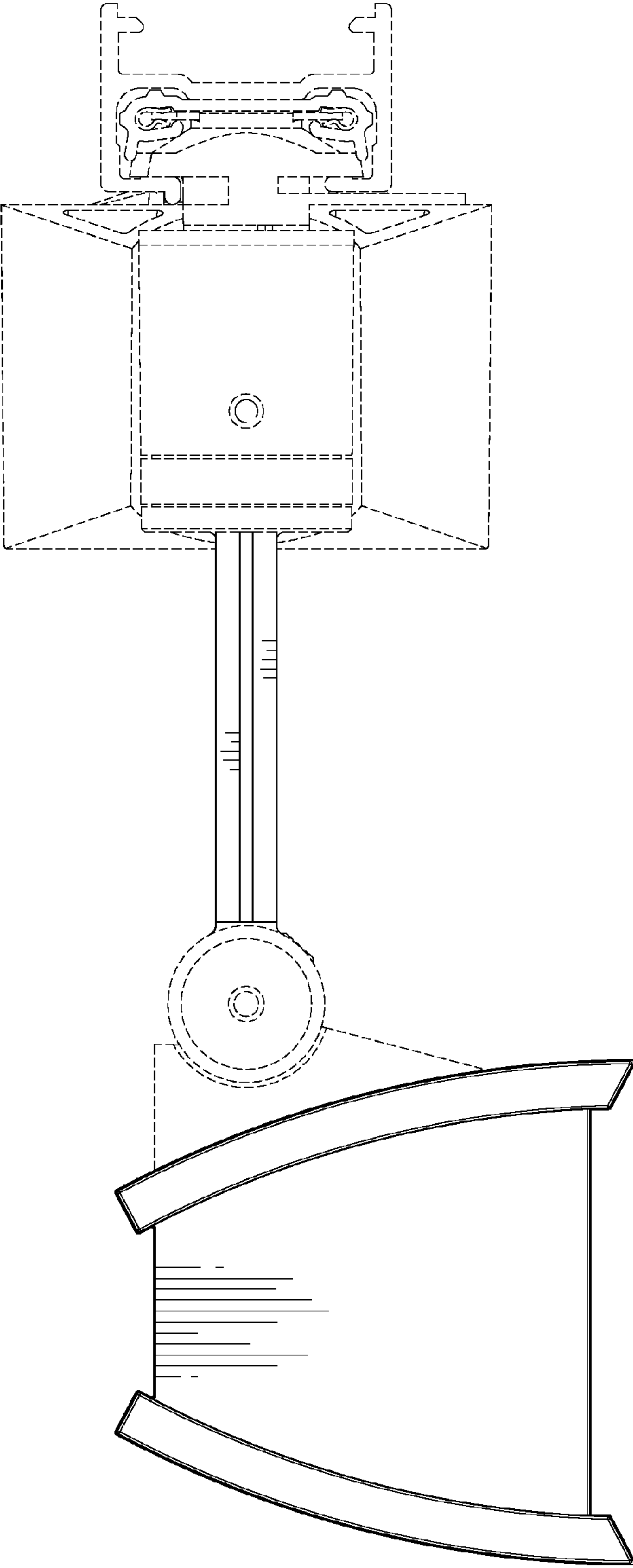


FIG. 5

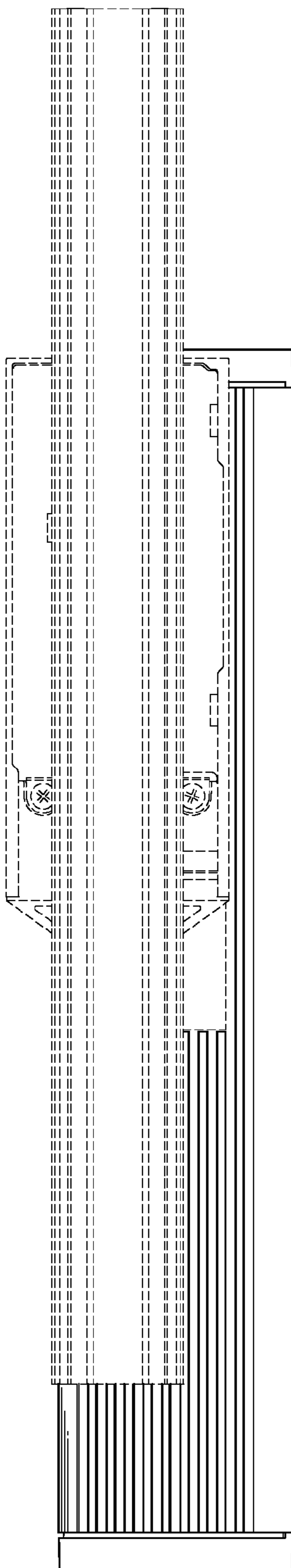


FIG. 6

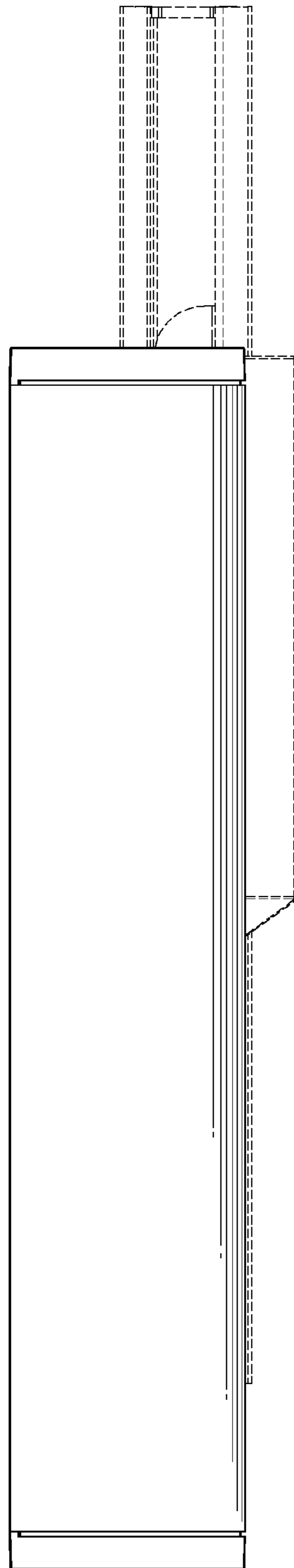


FIG. 7



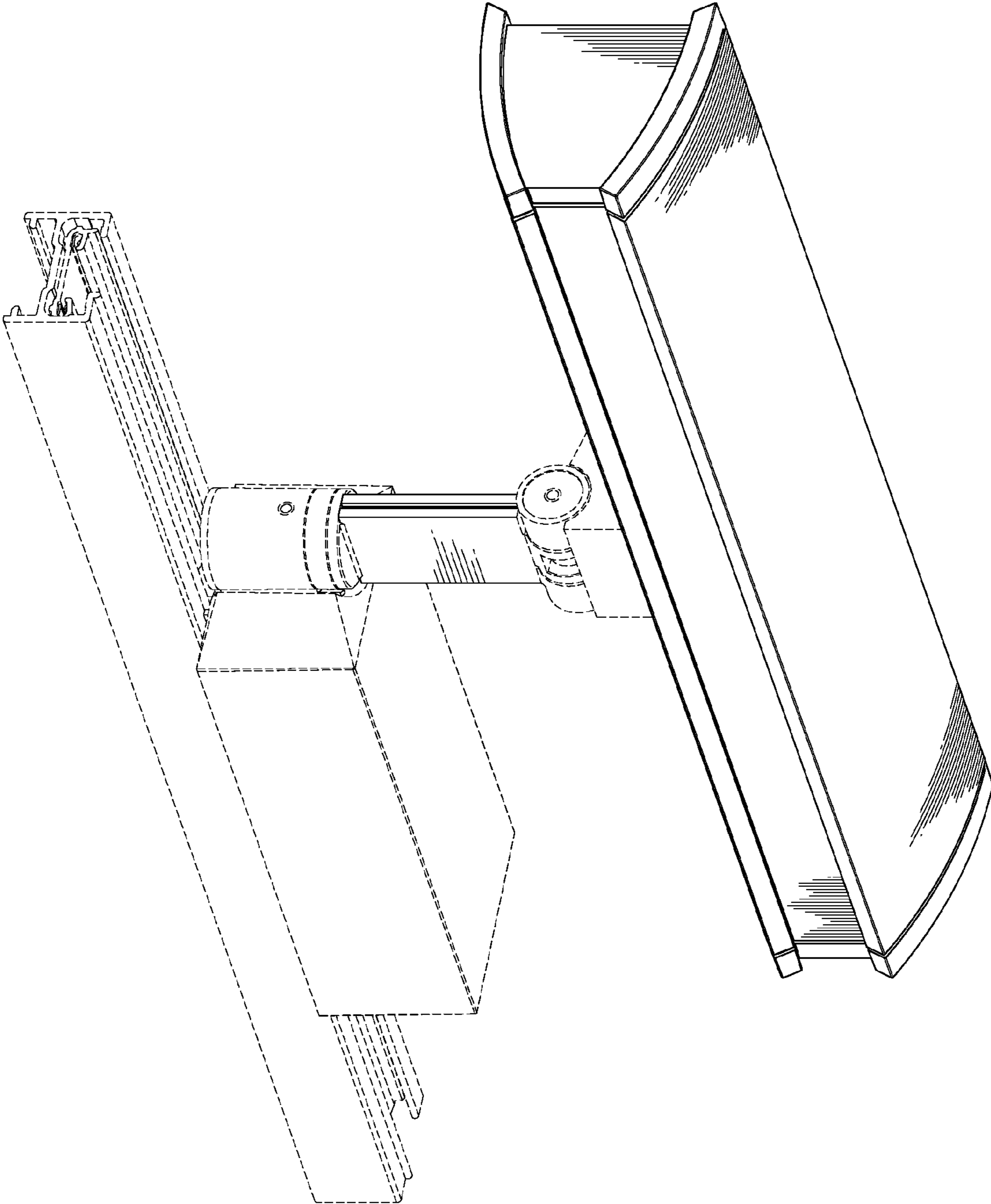


FIG. 8