



US00D632834S

(12) **United States Design Patent**  
**Kon**

(10) **Patent No.:** **US D632,834 S**

(45) **Date of Patent:** **\*\* Feb. 15, 2011**

(54) **LENS FOR A LIGHT EMITTING DIODE LAMP**

(75) Inventor: **Tatsuichiro Kon**, Tokyo (JP)

(73) Assignee: **Teijin Limited**, Osaka (JP)

(\*\*) Term: **14 Years**

(21) Appl. No.: **29/360,575**

(22) Filed: **Apr. 28, 2010**

(30) **Foreign Application Priority Data**

Oct. 30, 2009 (JP) ..... 2009-025528

(51) **LOC (9) Cl.** ..... **26-99**

(52) **U.S. Cl.** ..... **D26/124**

(58) **Field of Classification Search** ..... D26/138,  
D26/63, 128, 124, 24, 87, 145, 155, 140,  
D26/85, 113, 142, 118, 64, 2, 3, 68, 71, 67,  
D26/76, 65, 120; 362/219, 249.01, 249.02,  
362/249.03, 249.04, 249.05, 249.06, 249.07,  
362/249.08, 249.09, 249.1, 249.11, 580,  
362/373, 290, 362, 183, 240, 294; D7/532,  
D7/530, 529, 523, 531, 587; D11/152, 153,  
D11/146; D16/134, 135, 101; 439/110,  
439/698, 417, 320; D13/134, 179, 180

See application file for complete search history.

(56) **References Cited**

**U.S. PATENT DOCUMENTS**

D297,717 S \* 9/1988 Chu ..... D10/104  
5,134,550 A \* 7/1992 Young ..... 362/560  
6,533,446 B2 \* 3/2003 Chen et al. .... 362/559  
D476,426 S \* 6/2003 Katase ..... D26/3

D487,818 S \* 3/2004 Pu ..... D26/118  
D523,826 S \* 6/2006 Kamada ..... D13/180  
7,347,590 B2 \* 3/2008 Lee et al. .... 362/327  
D619,756 S \* 7/2010 Lai et al. .... D26/124  
2006/0067079 A1 \* 3/2006 Noh et al. .... 362/327  
2009/0129097 A1 \* 5/2009 Ewert et al. .... 362/328  
2009/0310366 A1 \* 12/2009 Huang et al. .... 362/298

\* cited by examiner

*Primary Examiner*—Cathron C Brooks

*Assistant Examiner*—Kevin K Rudzinski

(74) *Attorney, Agent, or Firm*—Holtz, Holtz, Goodman & Chick, PC

(57) **CLAIM**

The ornamental design for a lens for a light emitting diode lamp, as shown and described.

**DESCRIPTION**

FIG. 1 is a front view of a lens for a light emitting diode lamp showing my new design, the rear view, right side view and left side view being identical;

FIG. 2 is a top plan view thereof;

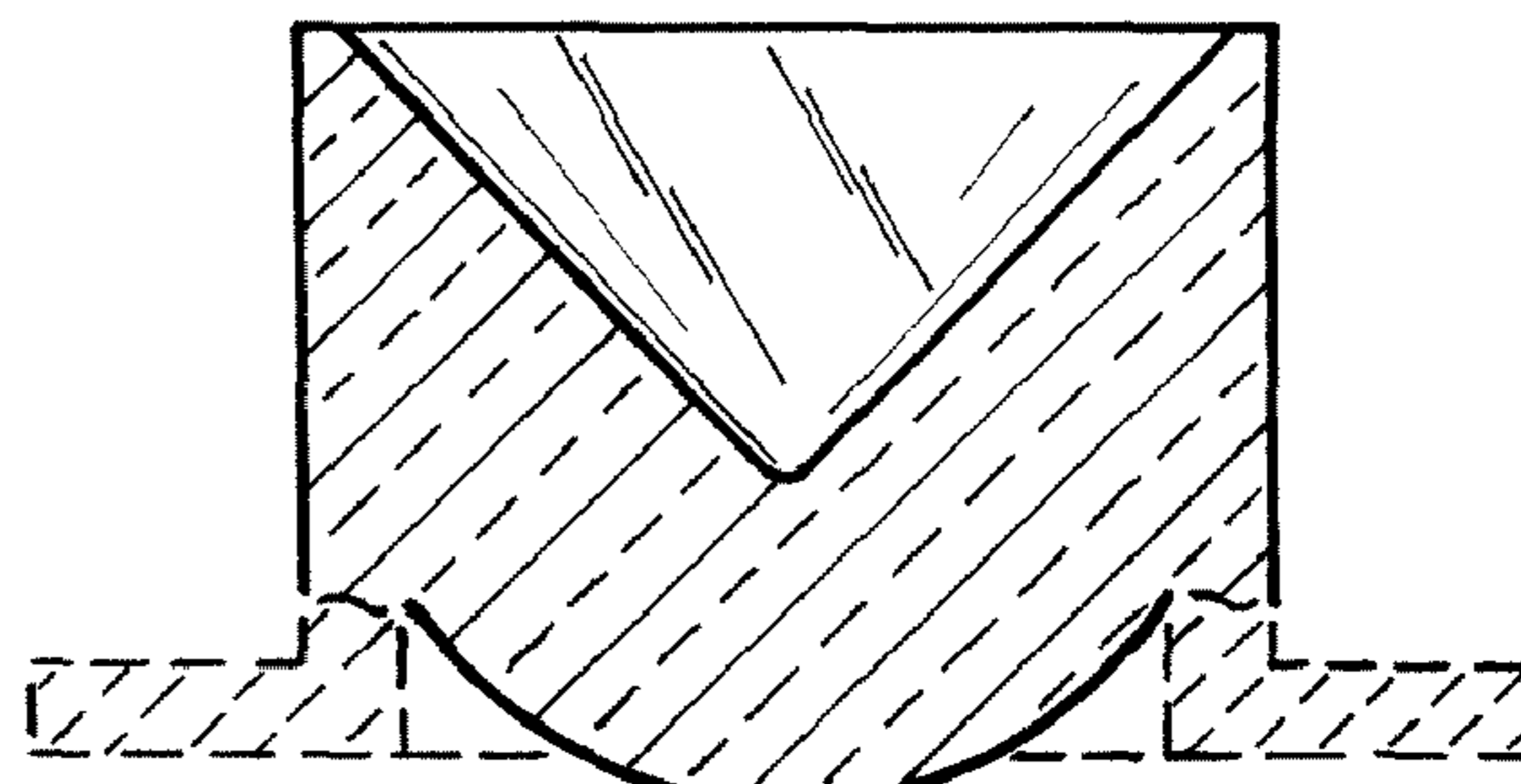
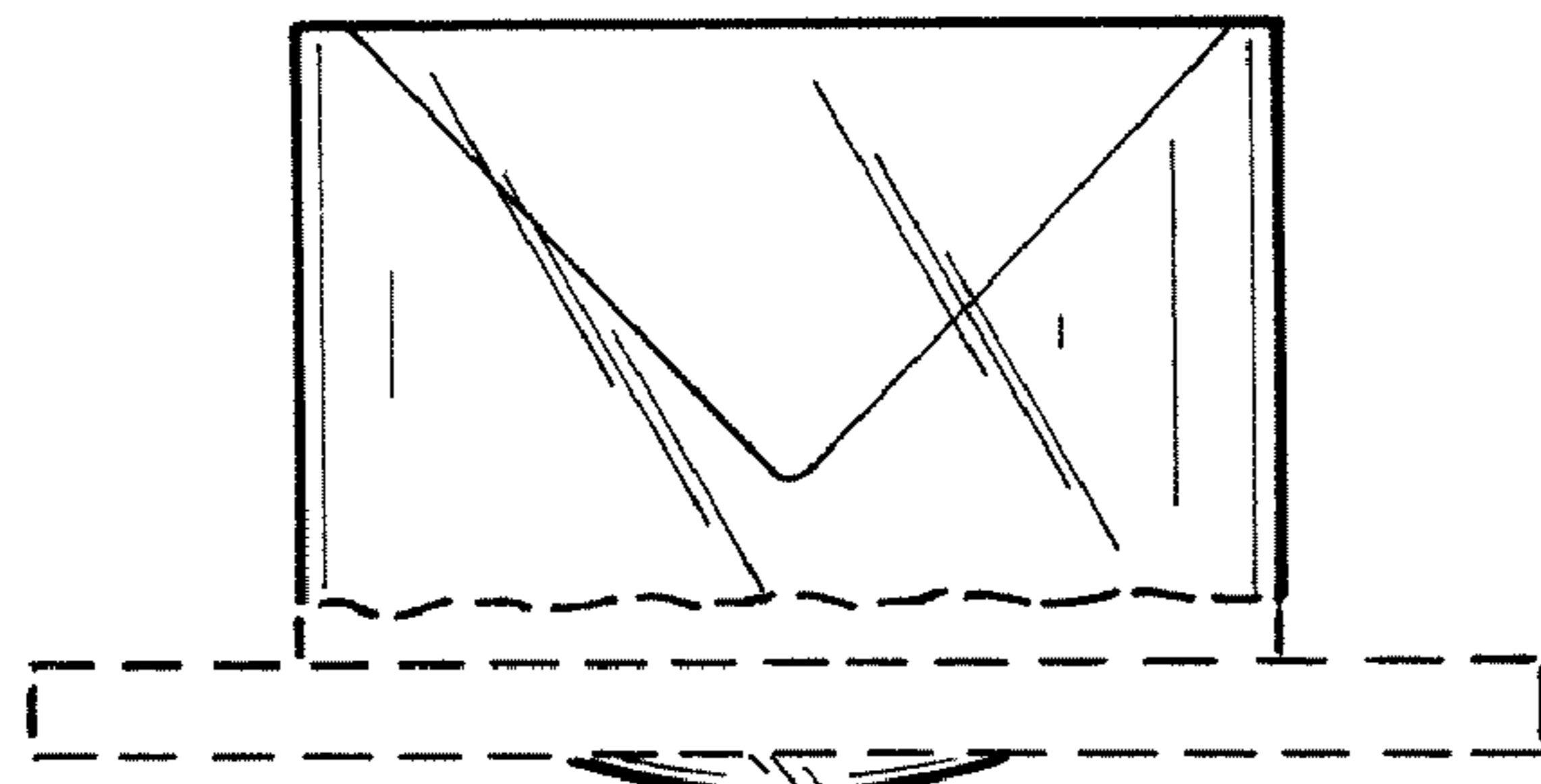
FIG. 3 is a bottom plan view thereof;

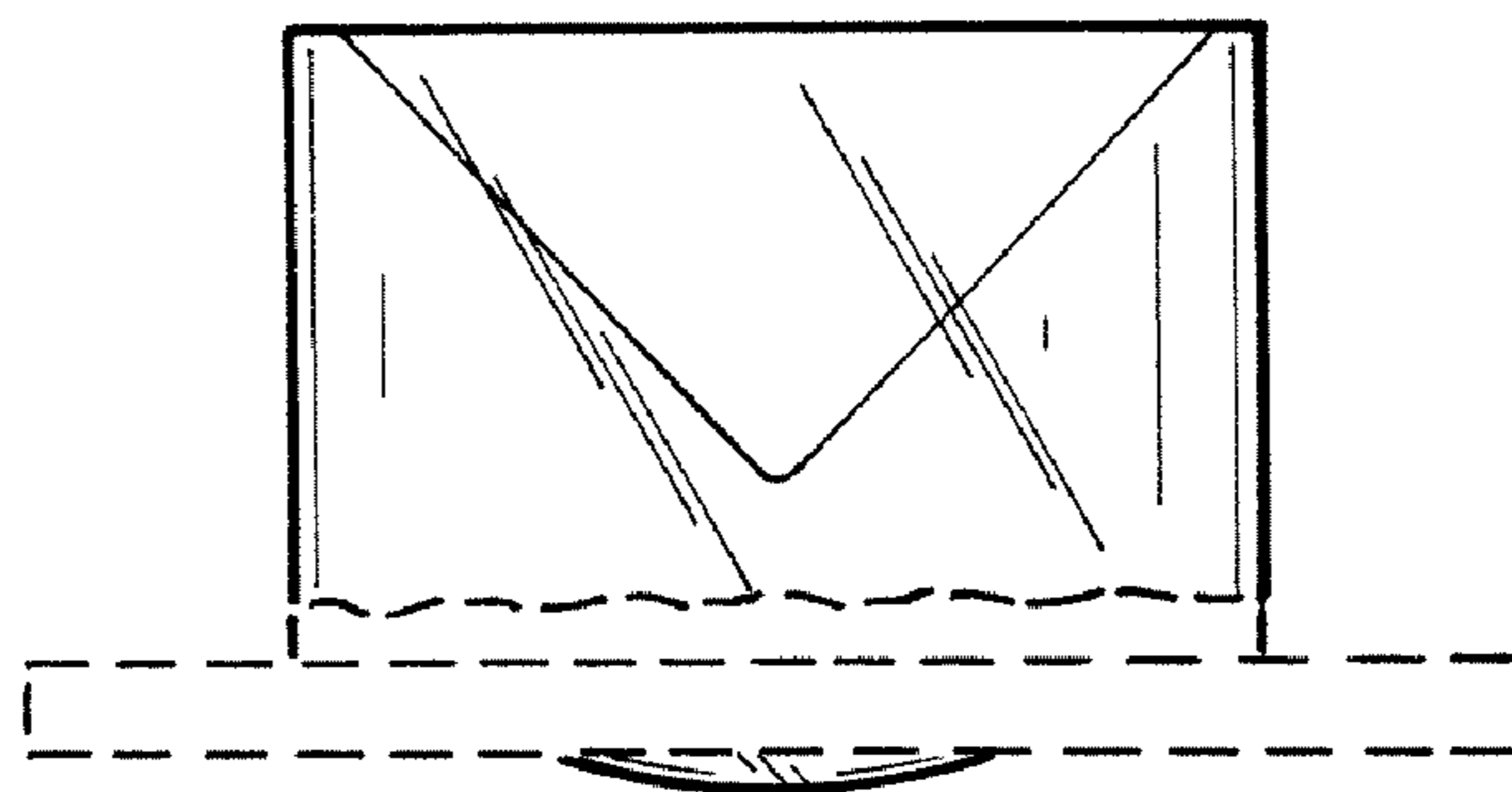
FIG. 4 is a sectional view along the center line of the front view; and,

FIG. 5 is a sectional view showing the article in use in a lamp.

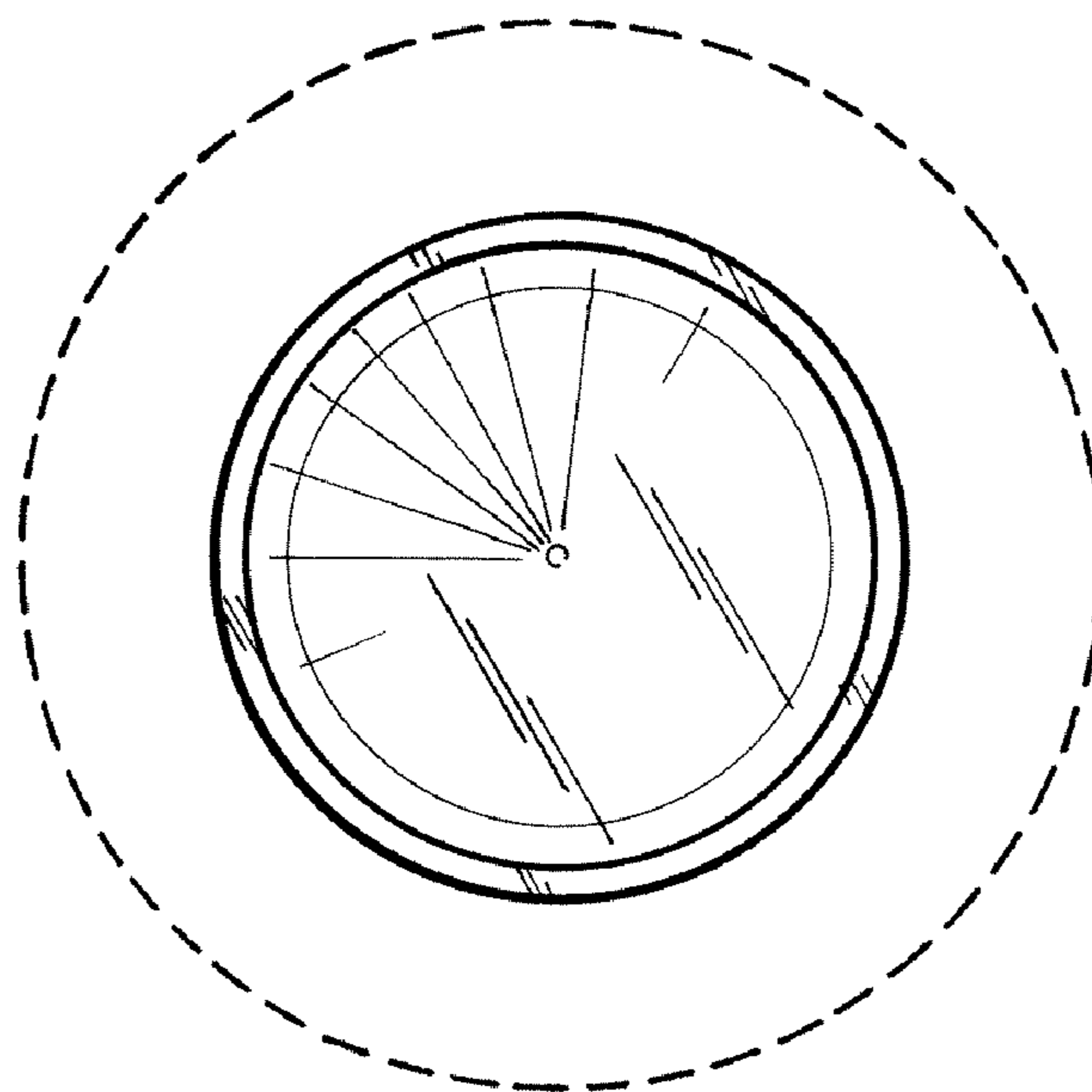
The broken lines shown in the drawings are included to illustrate environmental structures only and form no part of the claimed design. The wavy broken lines shown in the drawings indicate the bounds of the claimed design and form no part thereof.

**1 Claim, 3 Drawing Sheets**

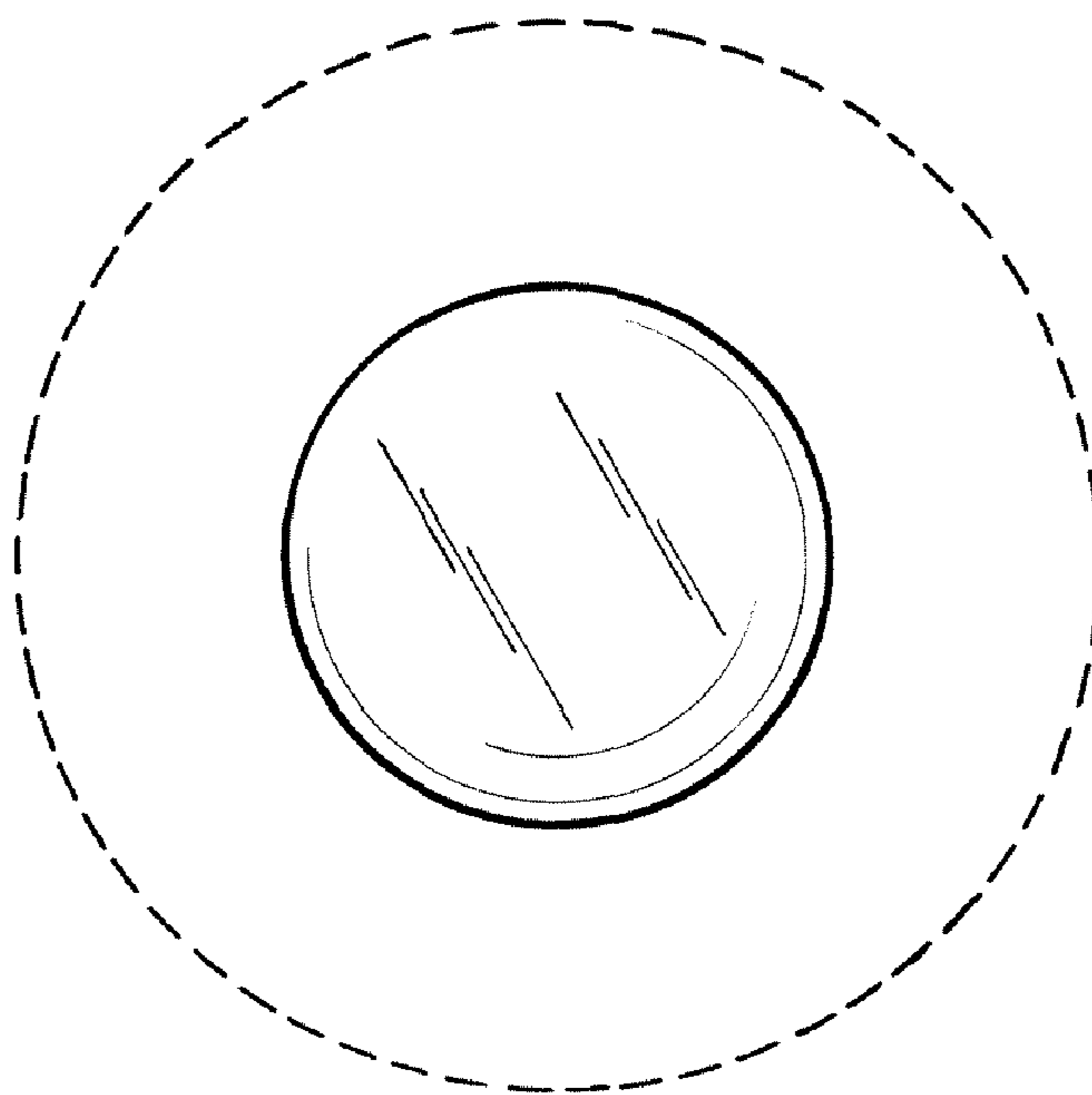




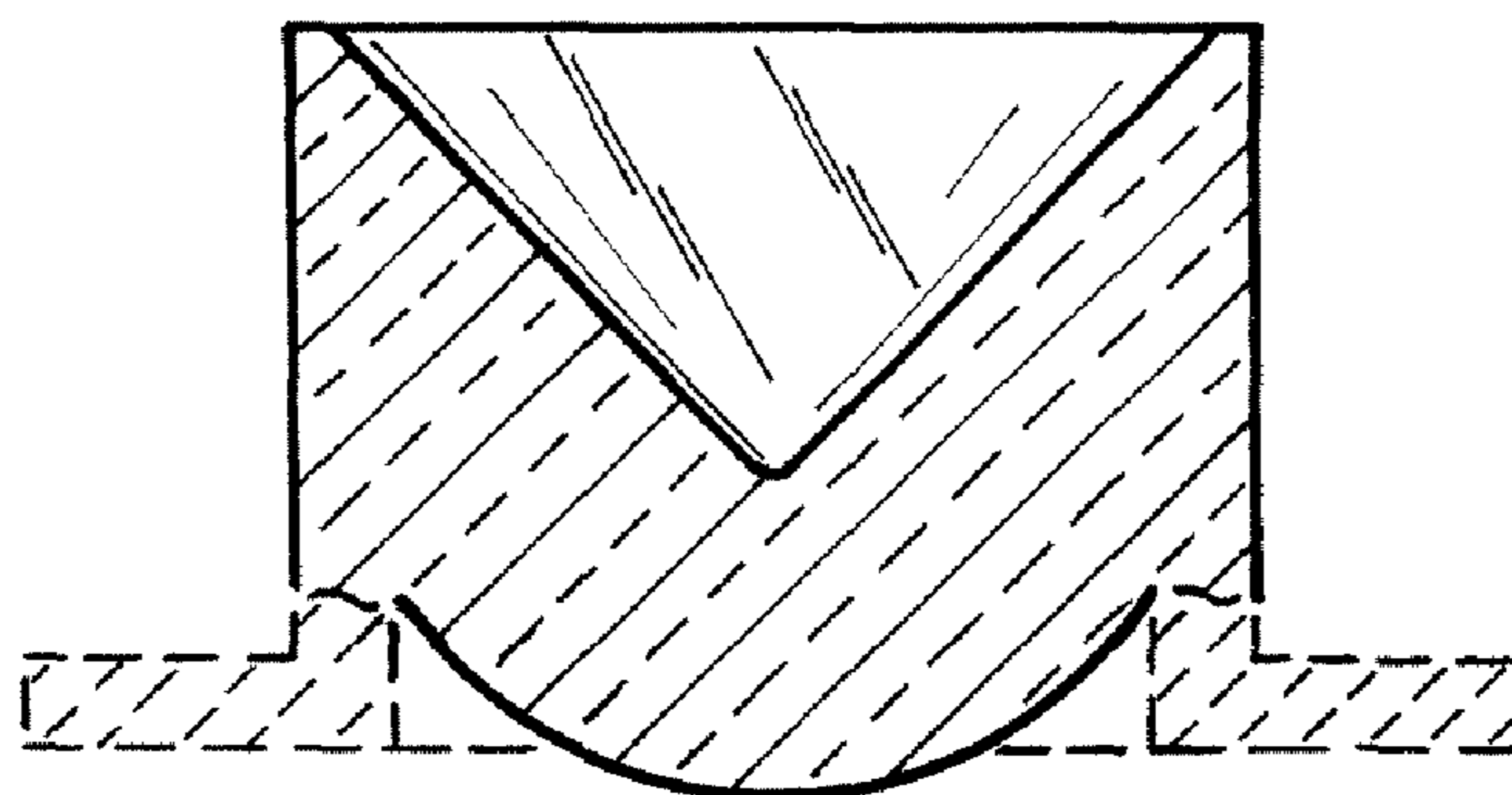
*Fig. 1*



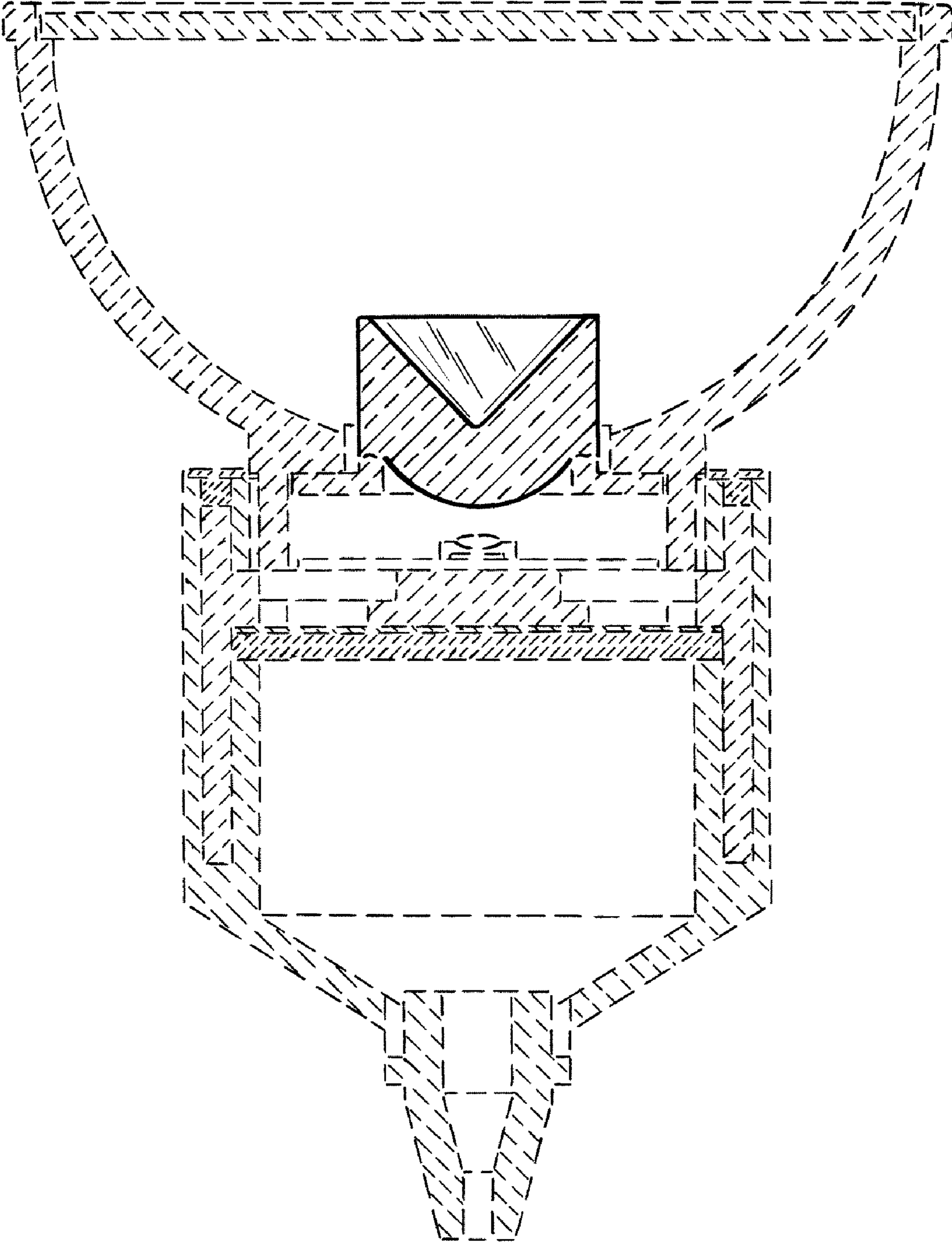
*Fig. 2*



*Fig. 3*



*Fig. 4*



*Fig. 5*