



US00D632830S

(12) **United States Design Patent**
Sekowski et al.

(10) **Patent No.:** **US D632,830 S**

(45) **Date of Patent:** **** Feb. 15, 2011**

(54) **LUMINAIRE**

(75) Inventors: **Daniel Sekowski**, Lafayette, IN (US);
Mark E. Jennings, Conyers, GA (US)

(73) Assignee: **ABL IP Holding LLC**, Conyers, GA
(US)

(**) Term: **14 Years**

(21) Appl. No.: **29/352,282**

(22) Filed: **Dec. 18, 2009**

(51) **LOC (9) Cl.** **26-99**

(52) **U.S. Cl.** **D26/118**

(58) **Field of Classification Search** D26/122,
D26/76, 52, 84, 85, 87, 67, 68, 69, 154, 155,
D26/152, 81, 128, 142, 144, 124, 116, 138,
D26/120, 60, 43, 24, 63, 72, 113, 71, 65,
D26/118, 61, 78, 51, 2, 119, 130, 140, 141;
D25/119, 138, 140; 362/147, 297, 84, 362,
362/376, 33, 240, 241, 294, 138, 153.1, 650,
362/257, 341, 351; D16/135; D5/62; D8/370;
160/332; 52/533; D11/79, 90, 9, 8; 431/289;
433/29, 30; D24/158, 209, 210; D13/134,
D13/179, 180; 257/712; 359/809

See application file for complete search history.

(56) **References Cited**

U.S. PATENT DOCUMENTS

D202,212	S	*	9/1965	Izzi	D26/71
3,358,133	A	*	12/1967	Hoxie et al.	362/282
3,911,265	A	*	10/1975	Landrum et al.	362/362
4,320,443	A	*	3/1982	Zwillich	362/375
D264,635	S	*	5/1982	Labouliere et al.	D26/67
D268,287	S	*	3/1983	Boschetti	D24/210
D272,475	S	*	1/1984	Yahraus	D26/24
D285,010	S	*	8/1986	Mullins	D26/67

Primary Examiner—Cathron C Brooks

Assistant Examiner—Kevin K Rudzinski

(74) *Attorney, Agent, or Firm*—Kilpatrick Townsend &
Stockton LLP

(57) **CLAIM**

The ornamental design for a luminaire, as shown and described.

DESCRIPTION

FIG. 1 is a top perspective view of a luminaire, showing our new design.

FIG. 2 is a left side elevation view of the luminaire of FIG. 1, the right side elevation view being a mirror image of the left side elevation view.

FIG. 3 is a front elevation view of the luminaire of FIG. 1.

FIG. 4 is a rear elevation view of the luminaire of FIG. 1.

FIG. 5 is a top plan view of the luminaire of FIG. 1.

FIG. 6 is a bottom plan view of the luminaire of FIG. 1.

FIG. 7 is a top perspective view of the luminaire of FIG. 1, with shorter side walls.

FIG. 8 is a left side elevation view of the luminaire of FIG. 1, with shorter side walls, the right side elevation view being a mirror image of the left side elevation view.

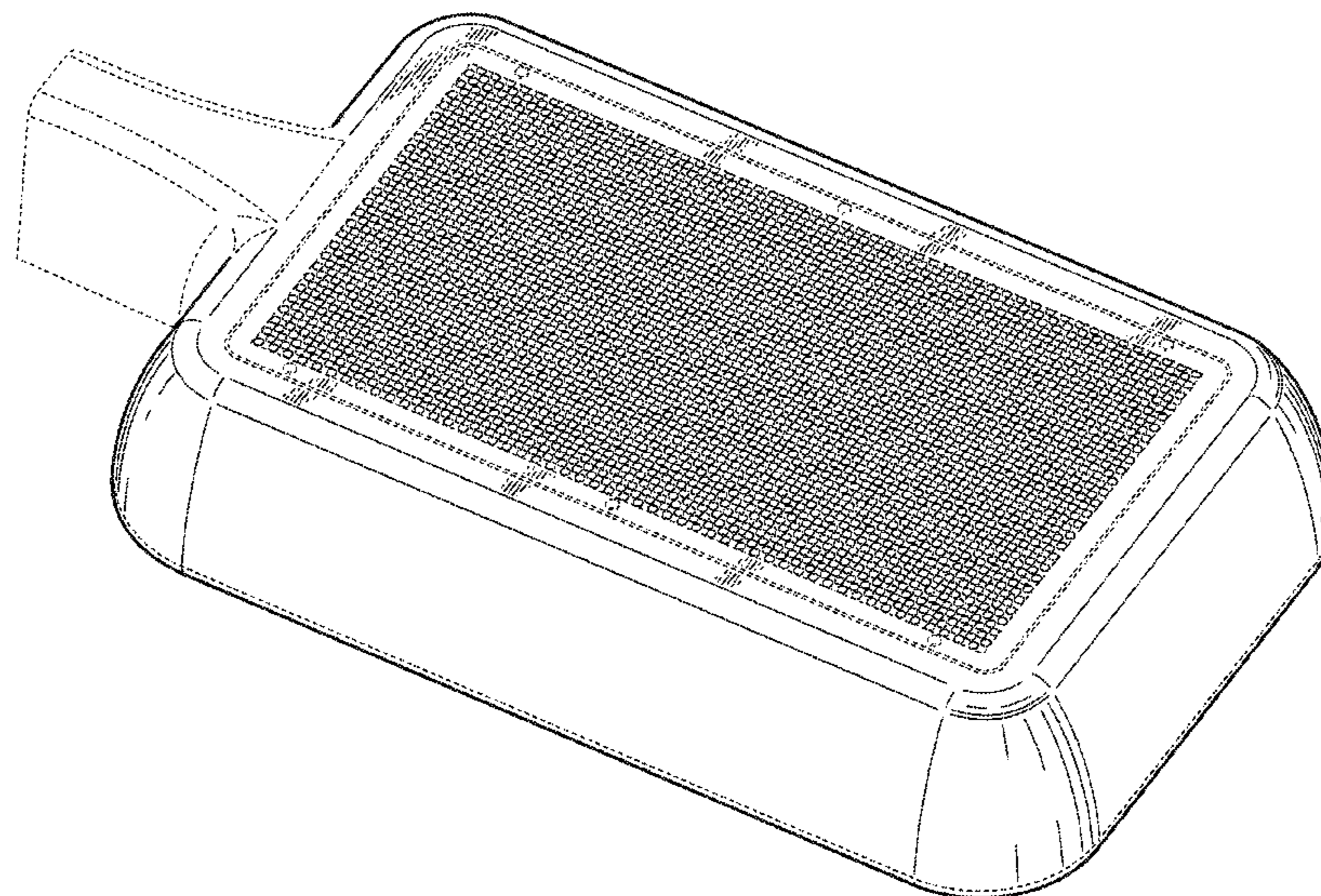
FIG. 9 is a top plan view of the luminaire of FIG. 1, with shorter side walls; and,

FIG. 10 is a bottom plan view of the luminaire of FIG. 1, with shorter side walls.

Portions or features of the luminaire not shown in the drawings form no part of the claimed design. The broken lines in the drawings form no part of the claimed design.

(Continued)

1 Claim, 9 Drawing Sheets



US D632,830 S

Page 2

U.S. PATENT DOCUMENTS

4,827,386	A *	5/1989	Mackiewicz	362/267	6,367,955	B1 *	4/2002	Rhee	362/368
D323,897	S *	2/1992	Compton	D26/24	D492,441	S *	6/2004	Bradford et al.	D26/92
D343,022	S *	1/1994	Solberg et al.	D26/68	7,029,153	B2 *	4/2006	Rhee	362/490
D344,604	S *	2/1994	Solberg et al.	D26/69	D531,342	S *	10/2006	Kauffman et al.	D26/68
D352,126	S *	11/1994	Ruud et al.	D26/67	D541,463	S *	4/2007	Tortel	D26/71
D361,633	S *	8/1995	Chabria	D26/37	D543,306	S *	5/2007	Volkens	D26/71
D397,465	S *	8/1998	Youri	D26/38	D556,935	S *	12/2007	Quioque et al.	D26/71
D417,303	S *	11/1999	Rahn	D26/67	D564,694	S *	3/2008	Southern, Jr.	D26/85
						D570,026	S *	5/2008	Waldmann	D26/76

* cited by examiner

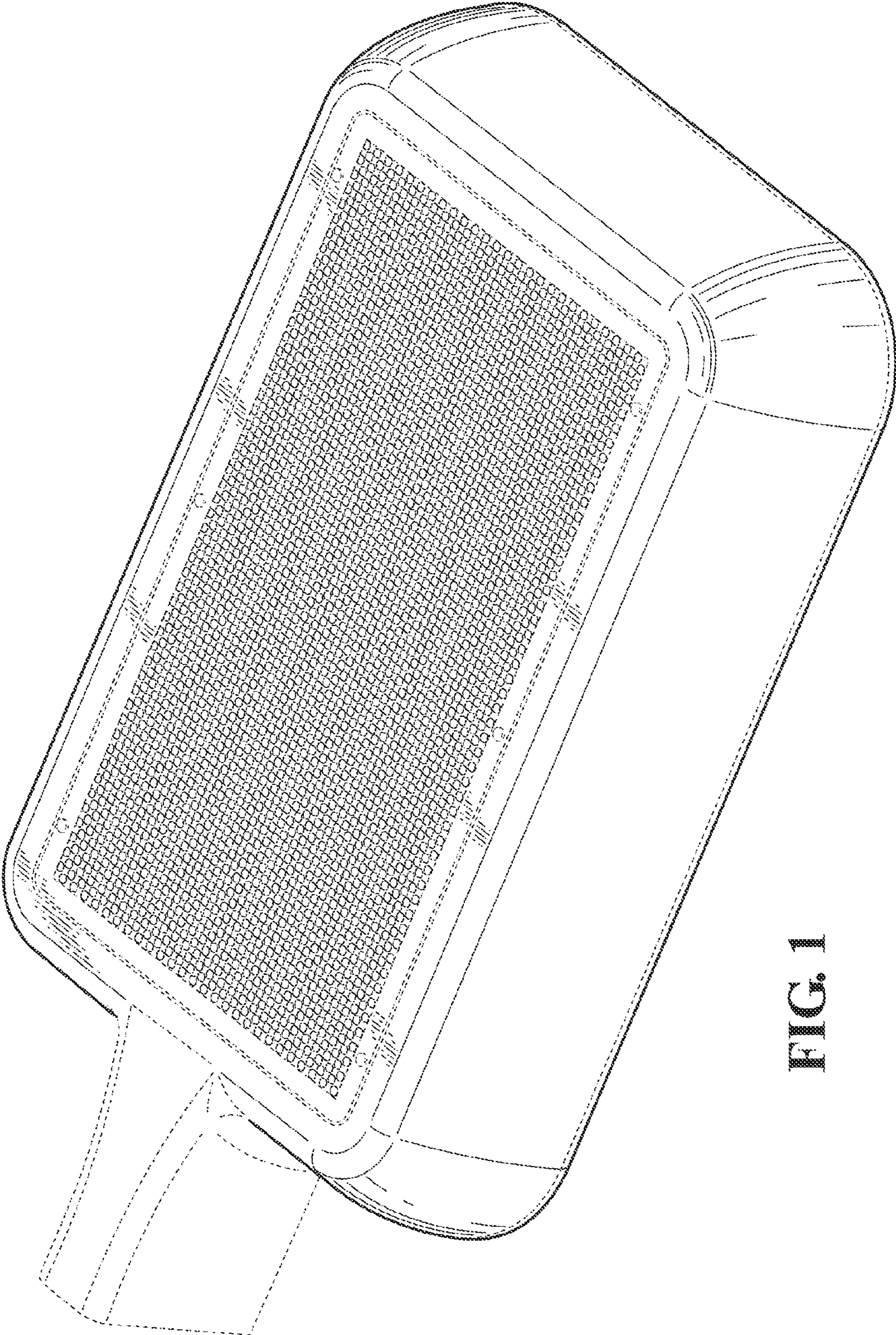


FIG. 1

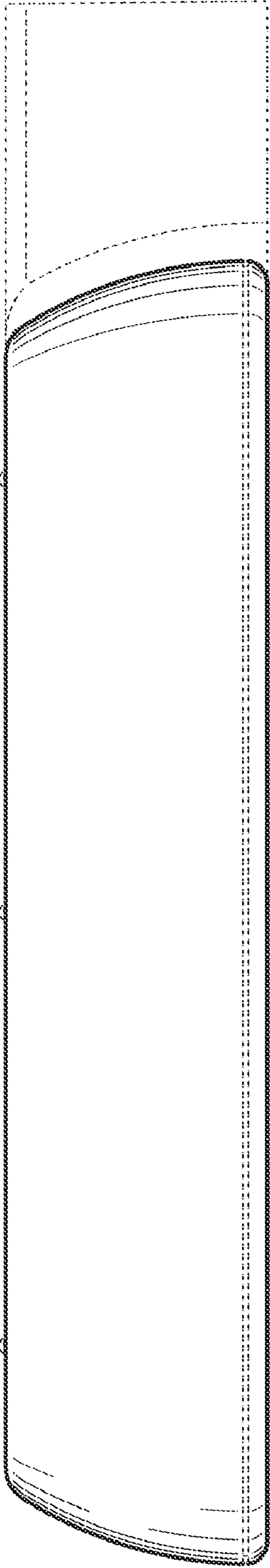


FIG. 2

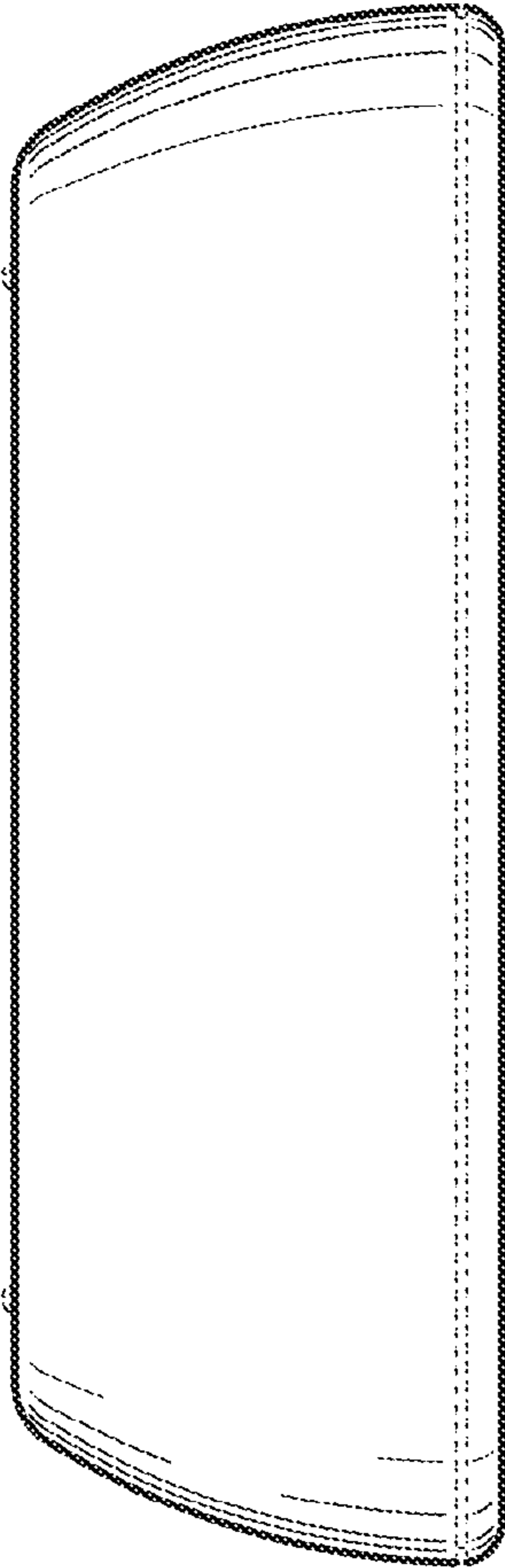


FIG. 3

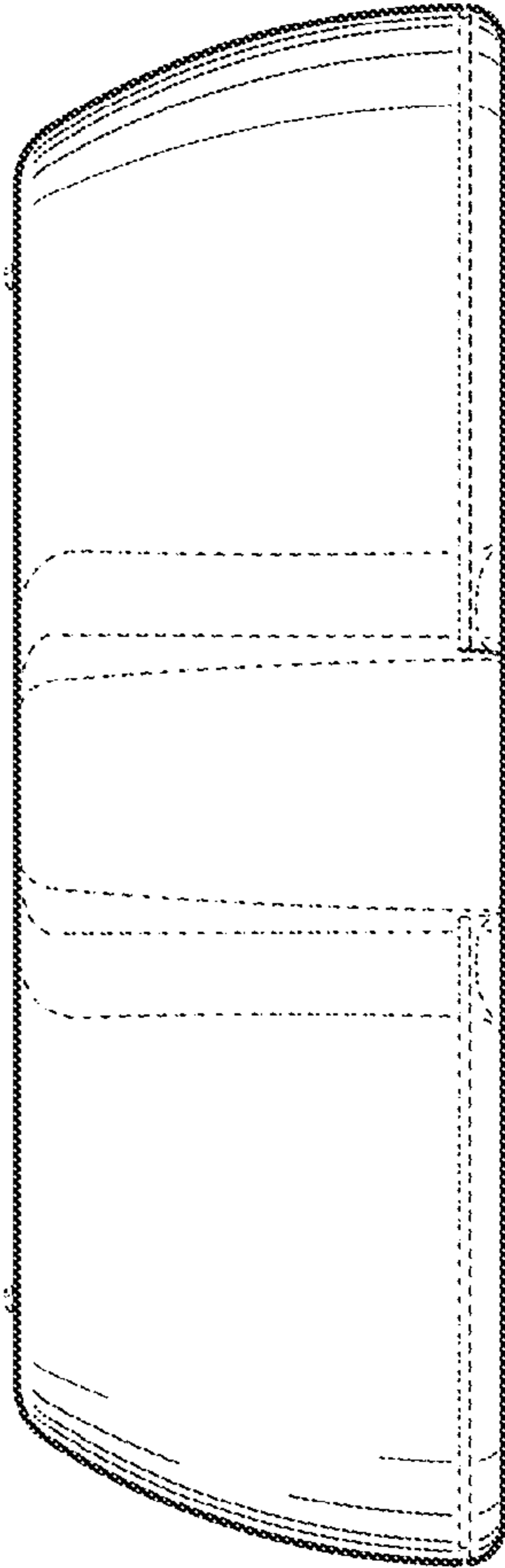


FIG. 4

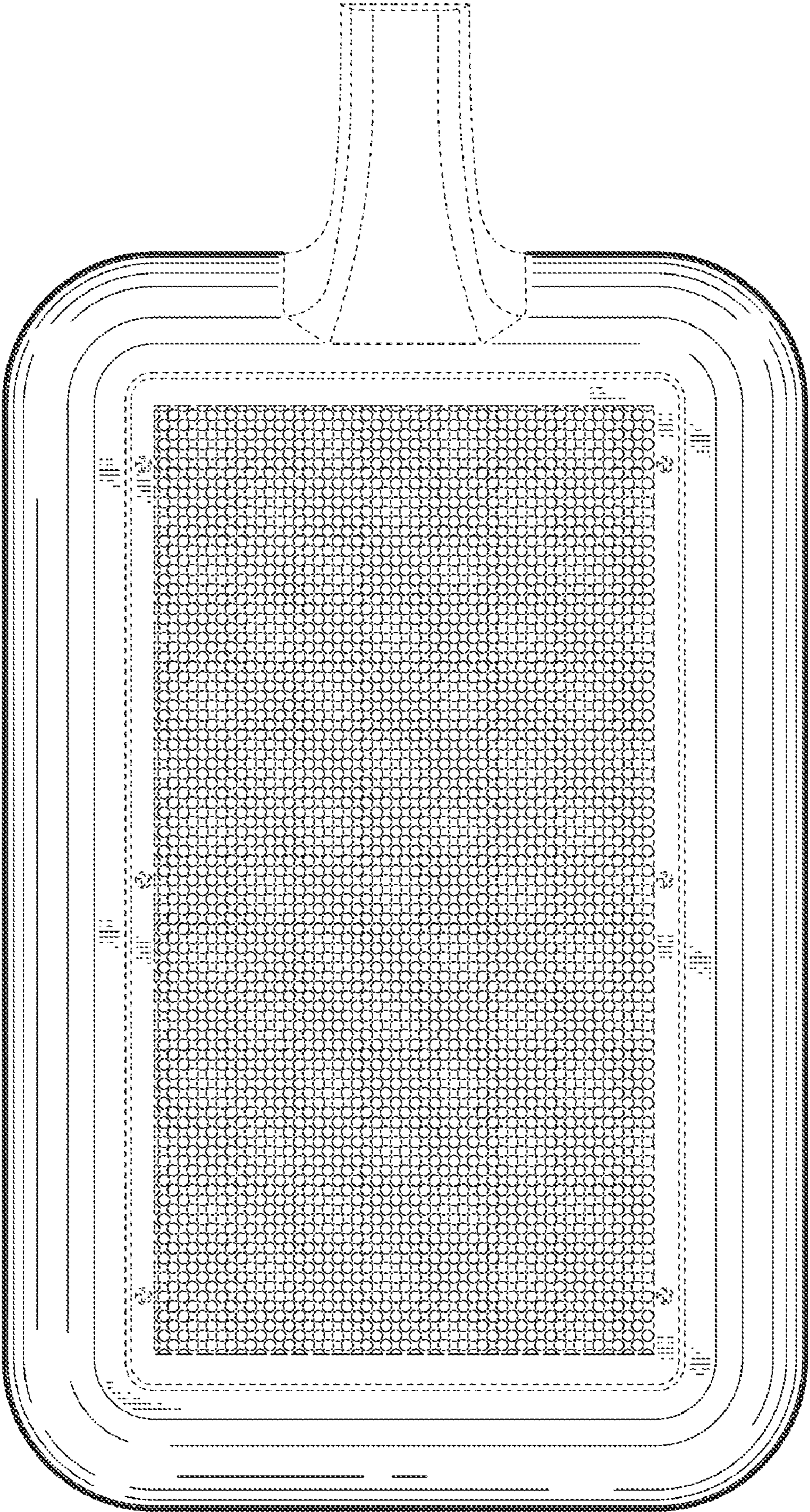


FIG. 5

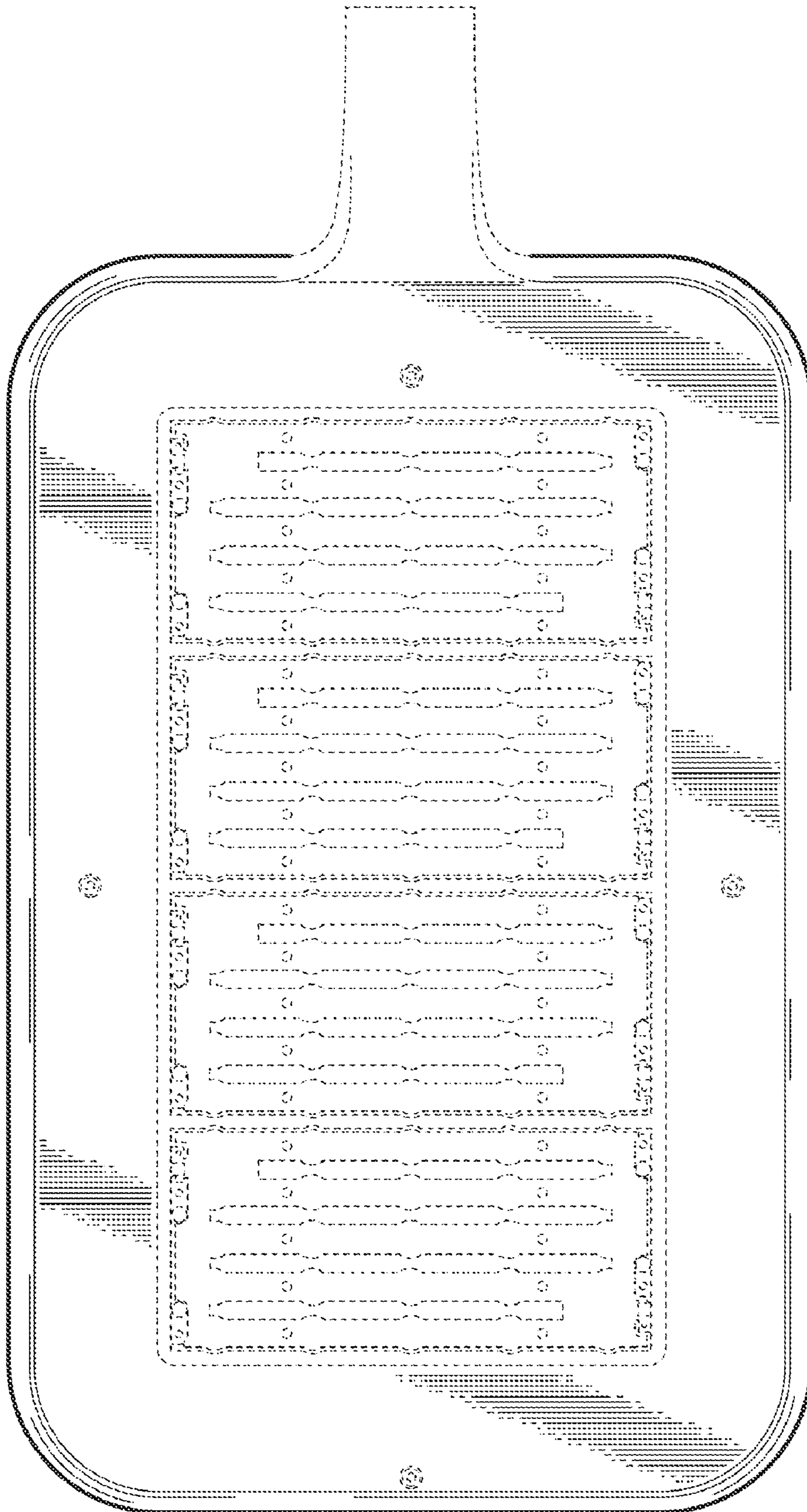


FIG. 6

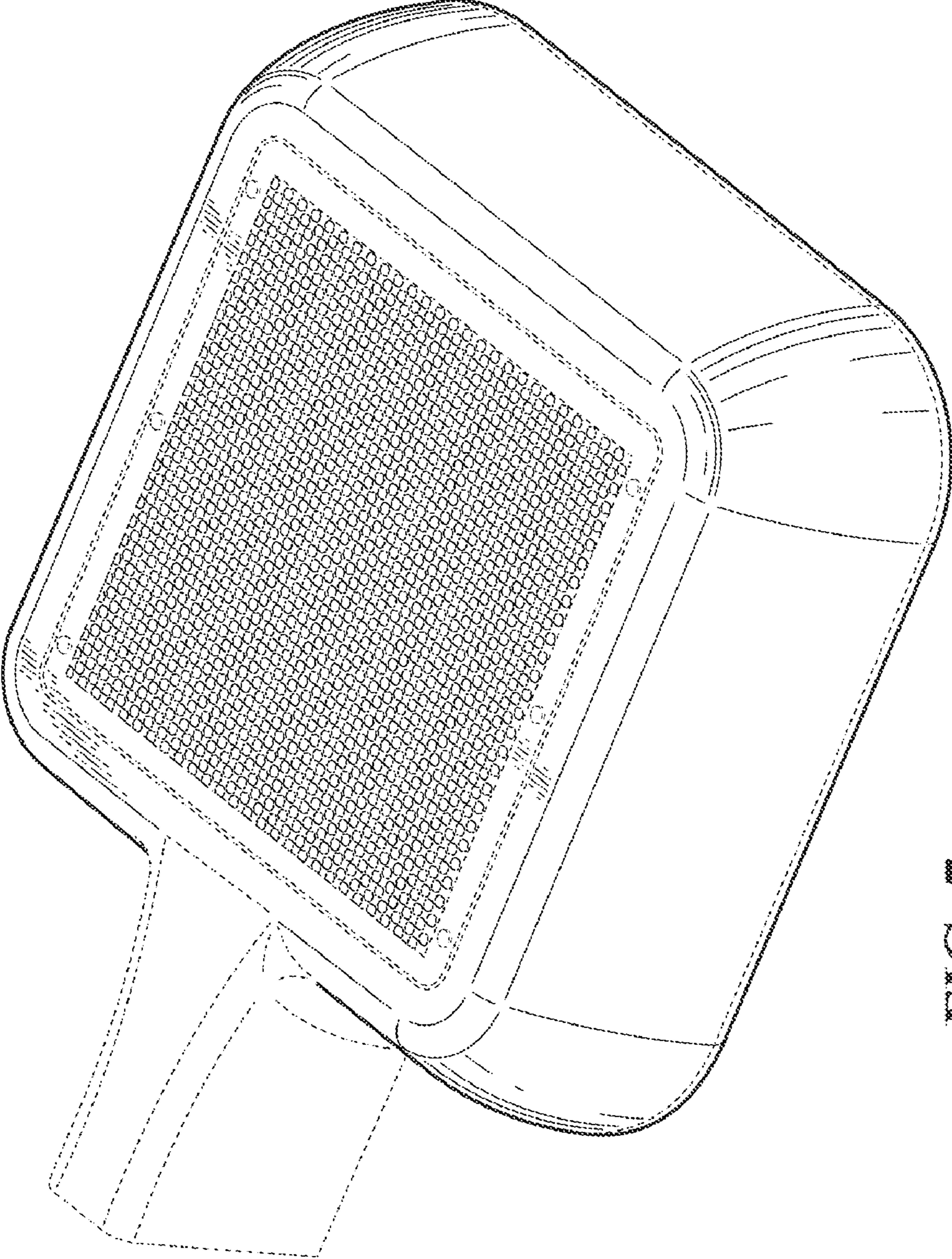


FIG. 7

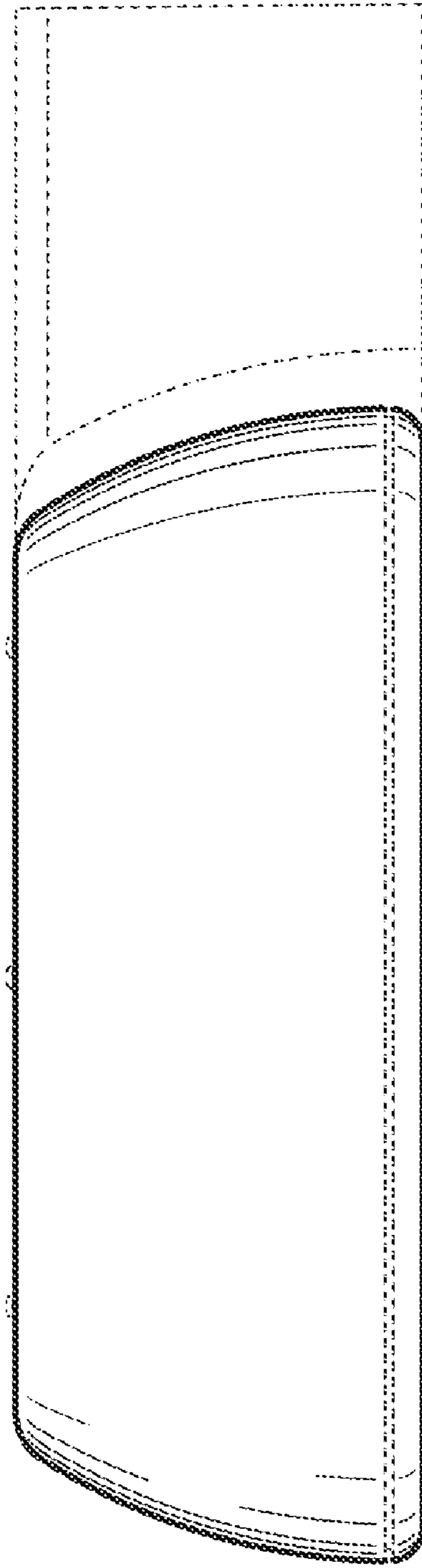


FIG. 8

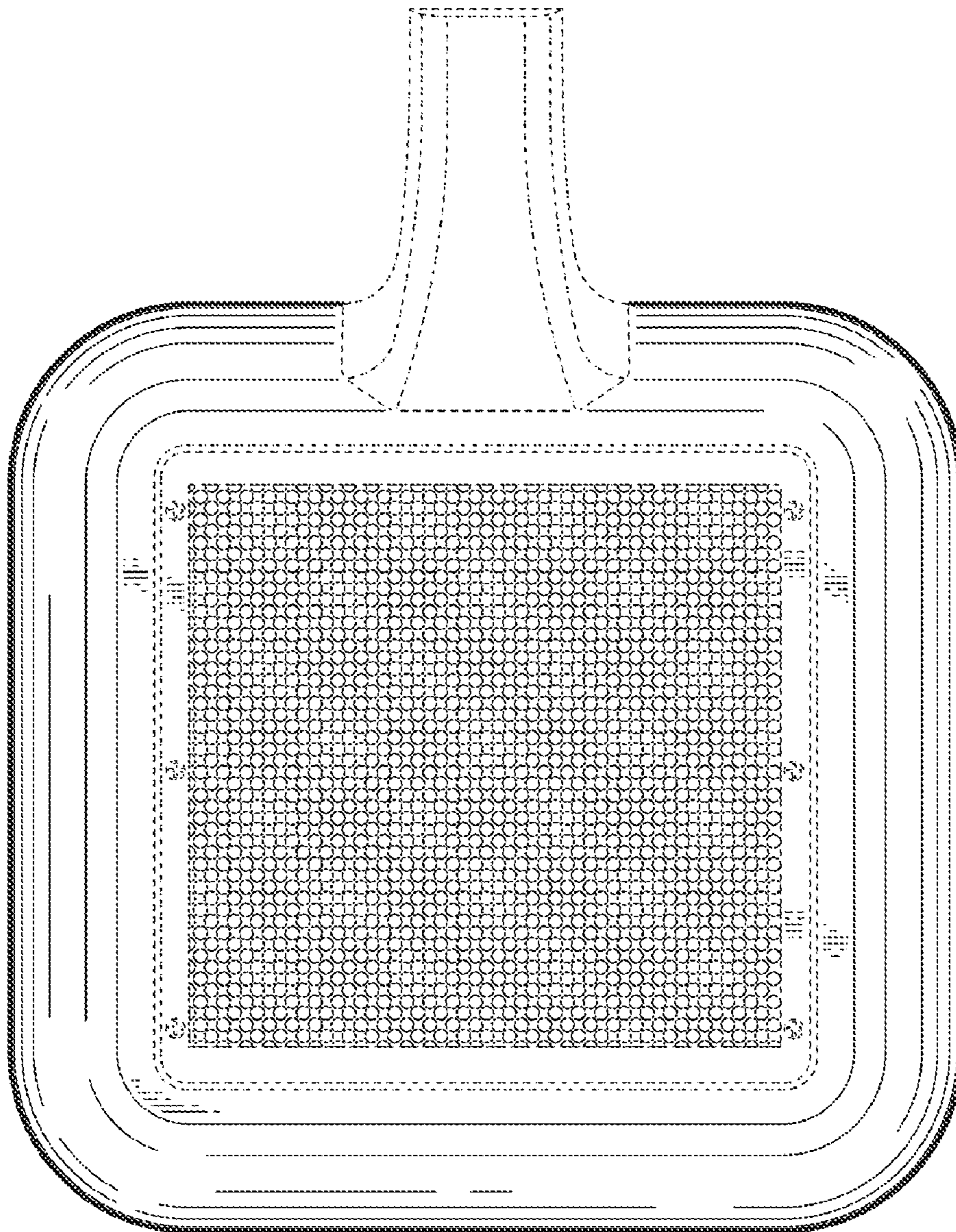


FIG. 9

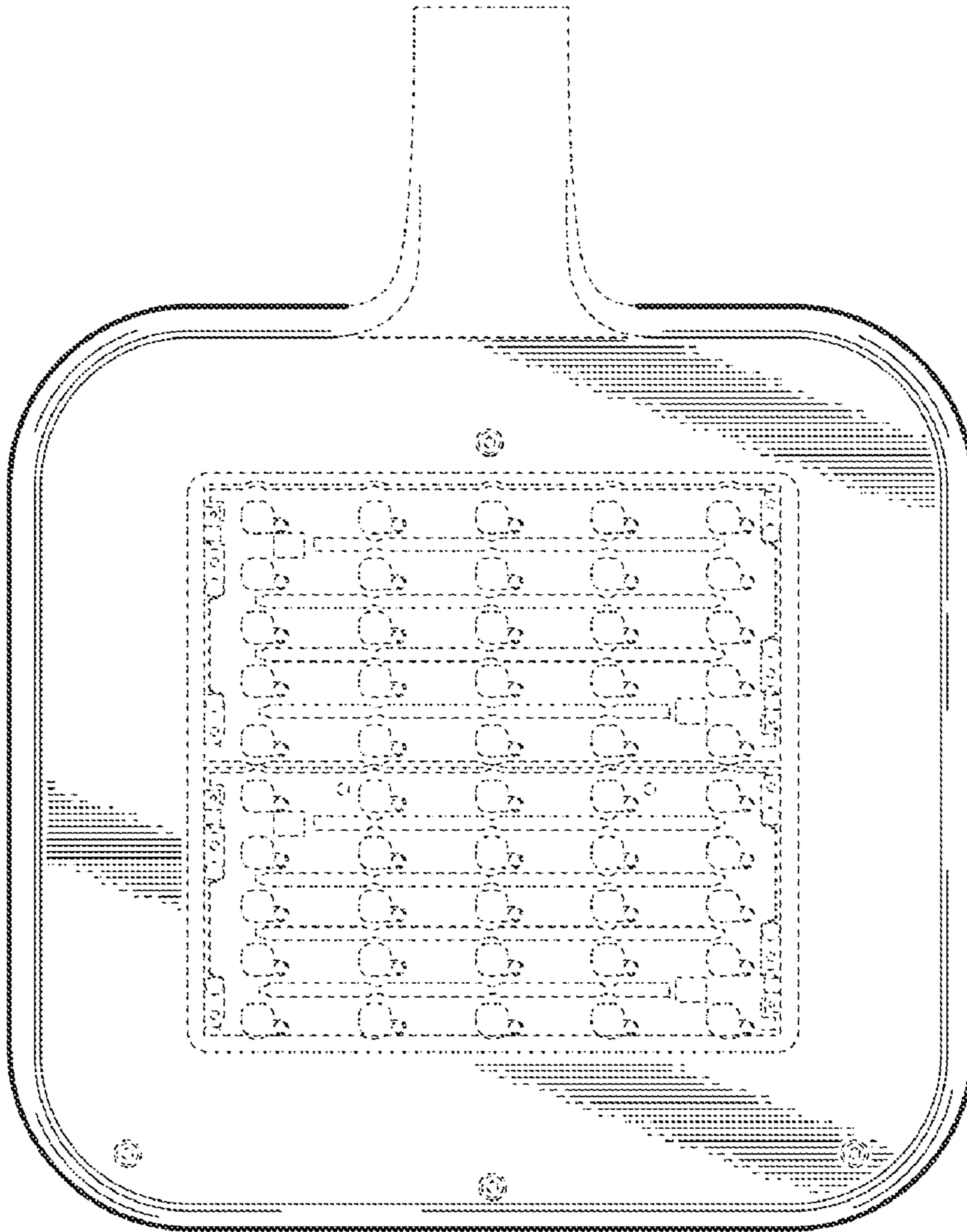


FIG. 10